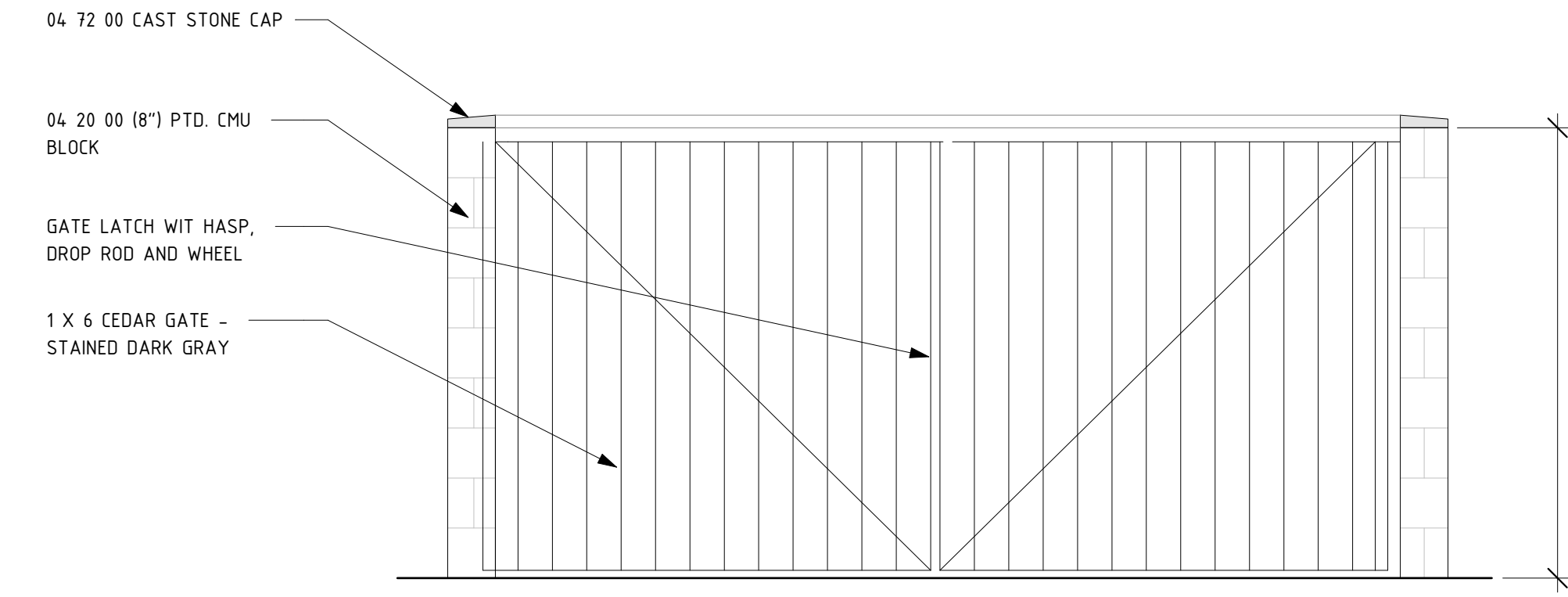
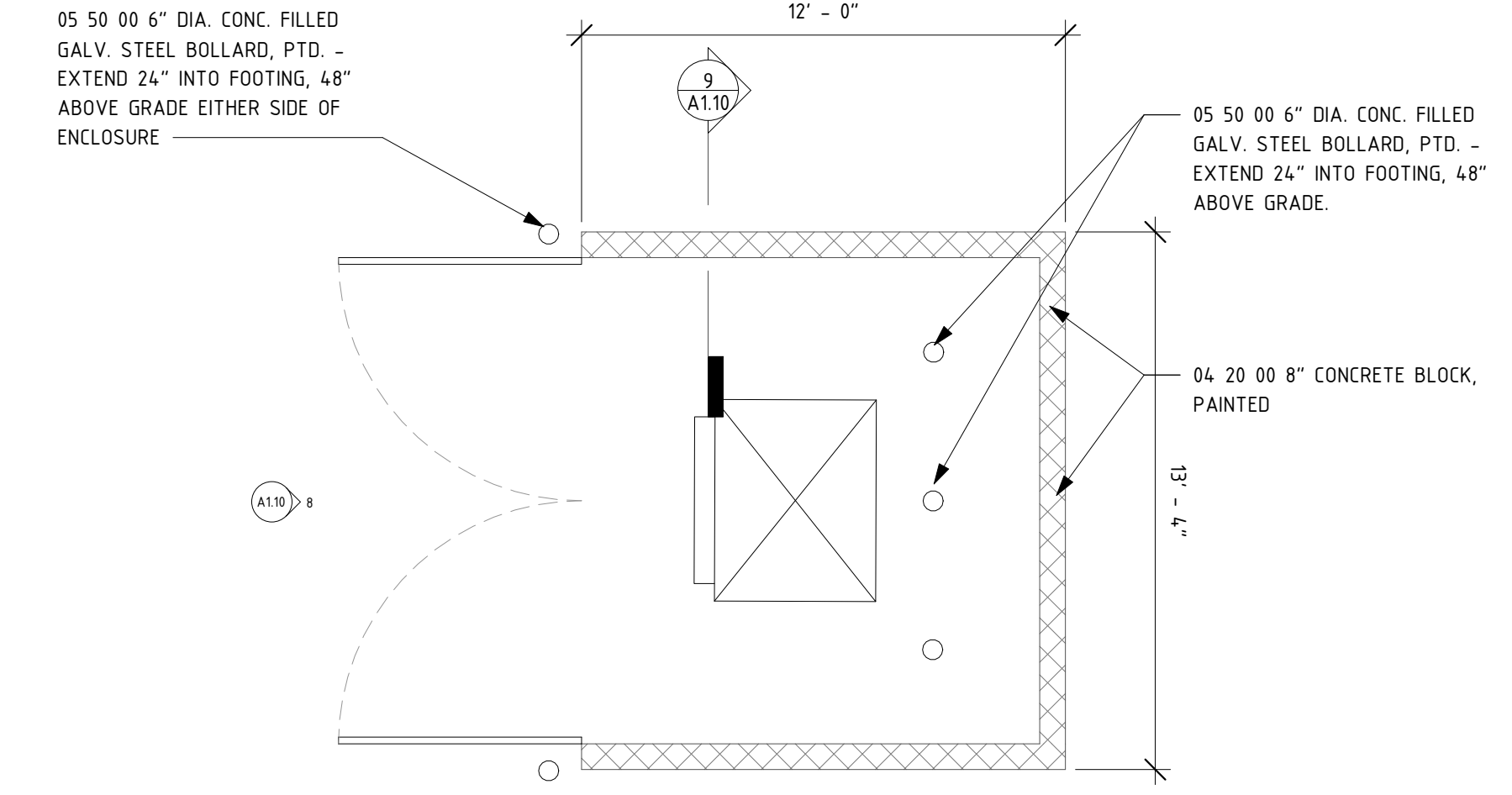


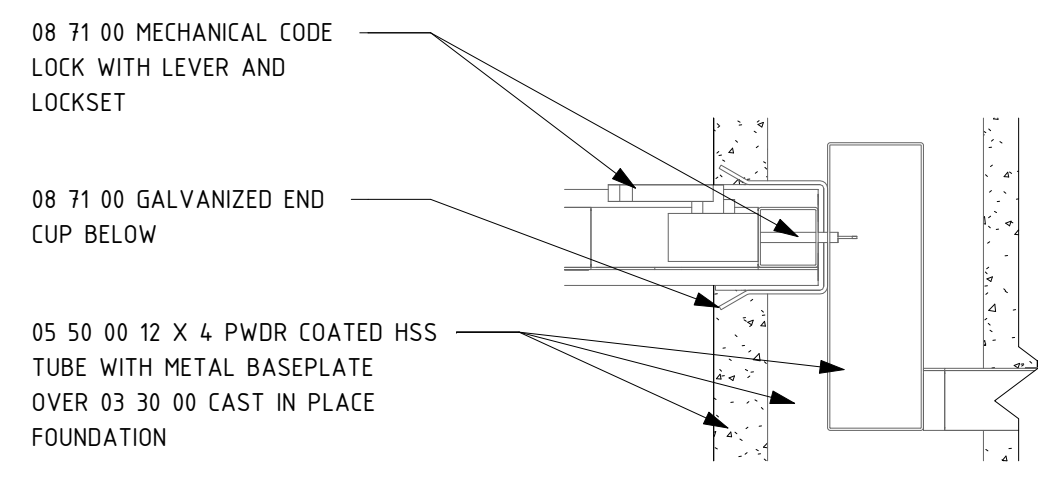
9 | Waste Enclosure Section - Typ.
 A1.10 | 3/4" = 1'-0"



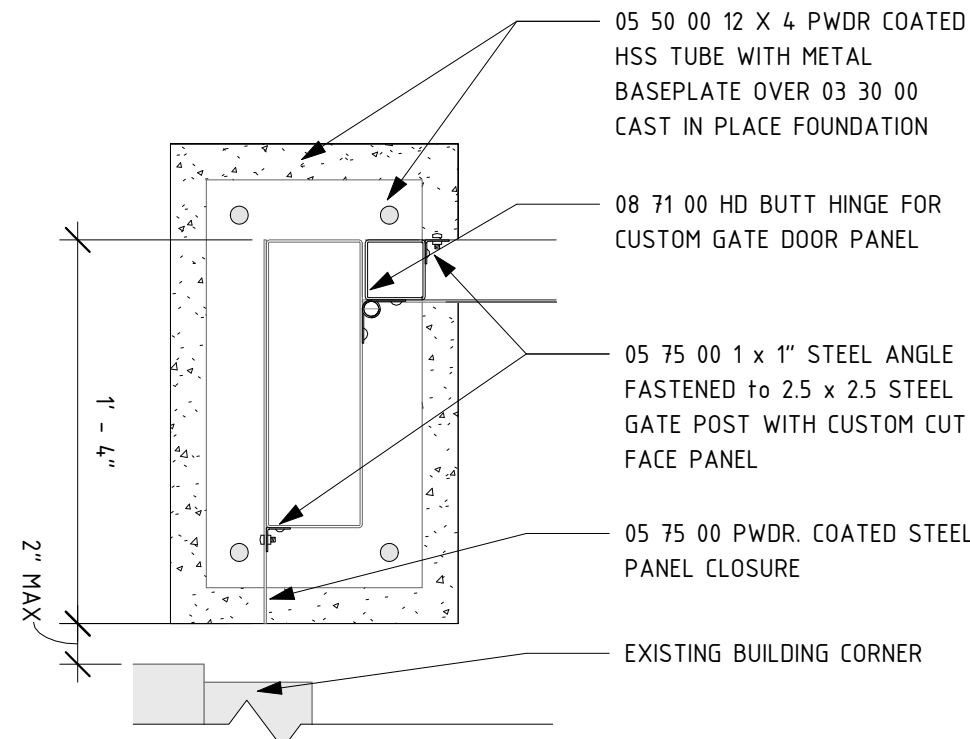
8 | Waste Enclosure Elevation and Gate
 A1.00 | 1/2" = 1'-0"



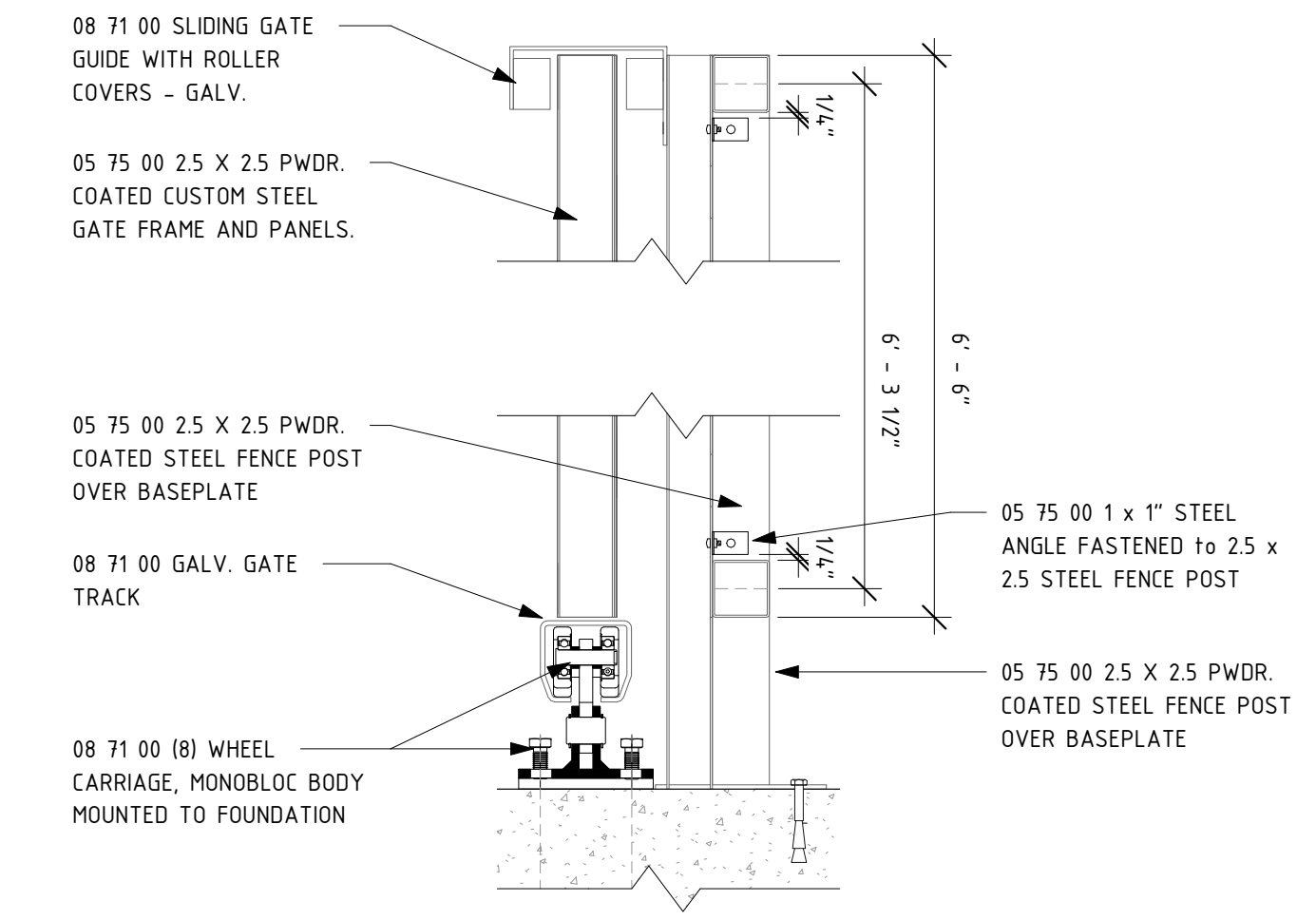
7 | Waste Enclosure Plan
 A1.00 | 1/4" = 1'-0"



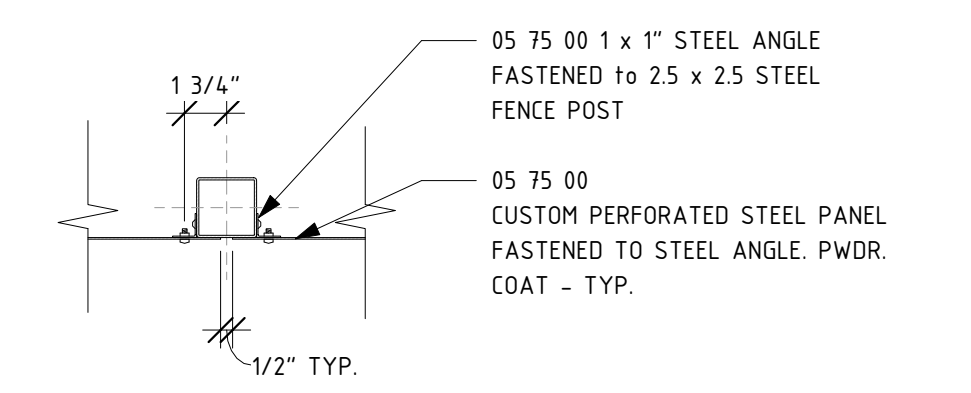
6 | Sliding Gate Closed Position Detail
 A1.10 | 1 1/2" = 1'-0"



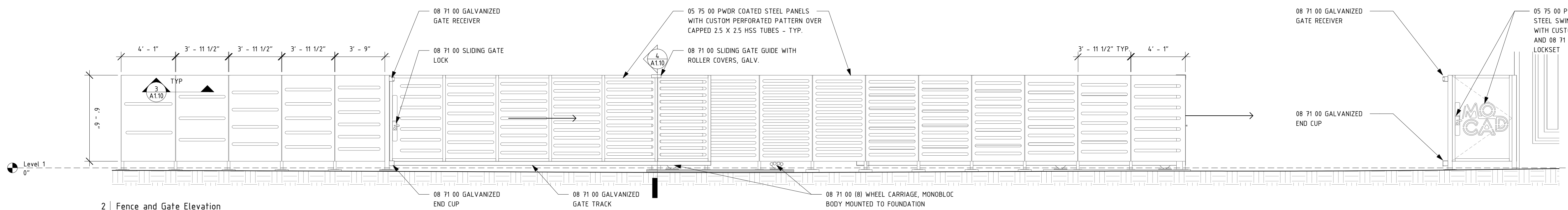
5 | Gate Hinge Side and Building Closure
 A1.10 | 1 1/2" = 1'-0"



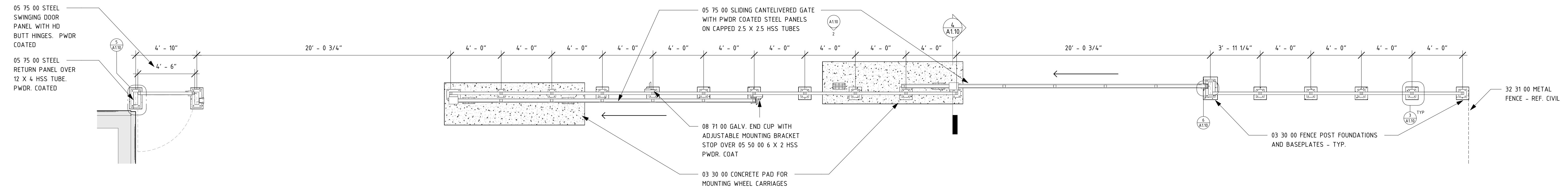
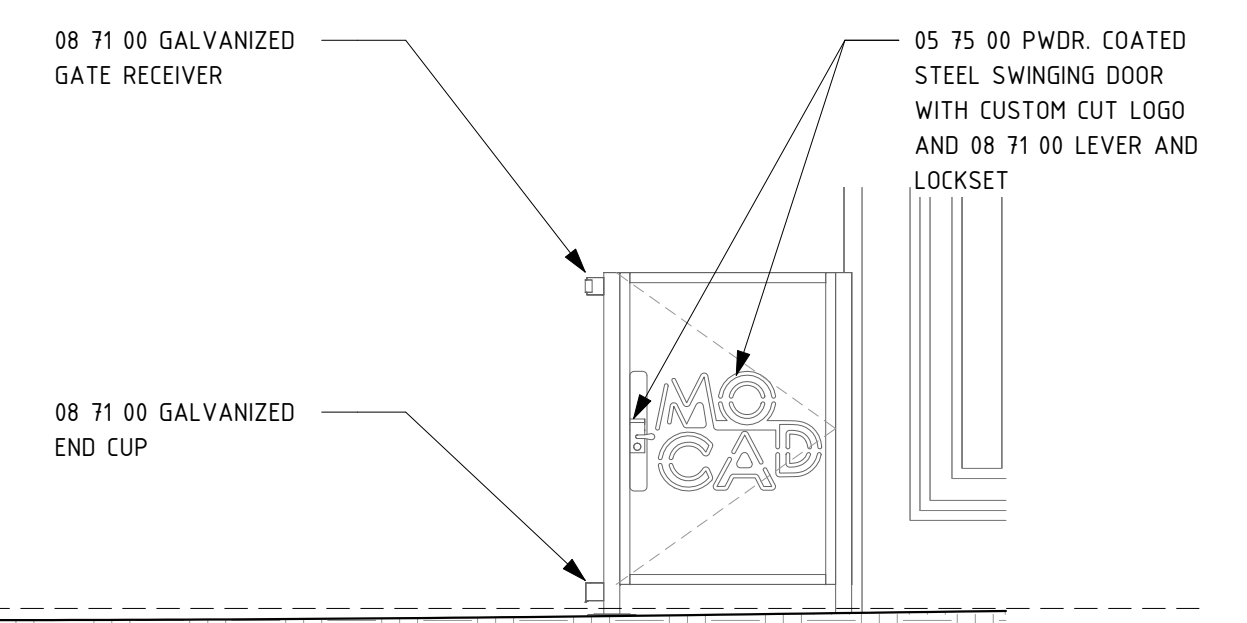
4 | Sliding Gate and Fence Panel Detail
 A1.10 | 1 1/2" = 1'-0"



3 | Fence Detail Plan TYP.
 A1.10 | 1 1/2" = 1'-0"



2 | Fence and Gate Elevation
 A1.00 | 1/4" = 1'-0"



1 | Custom Architectural Fence Plan
 A1.00 | 1/4" = 1'-0"