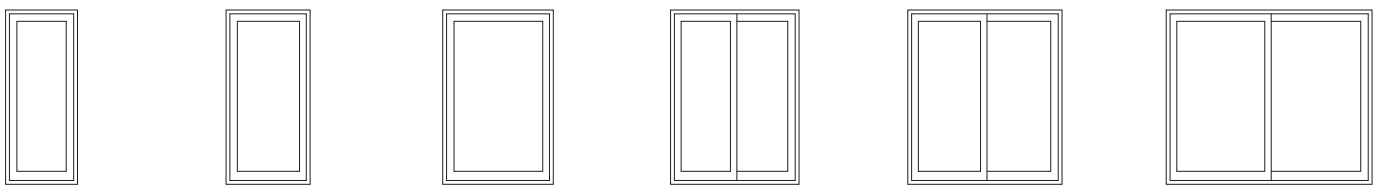
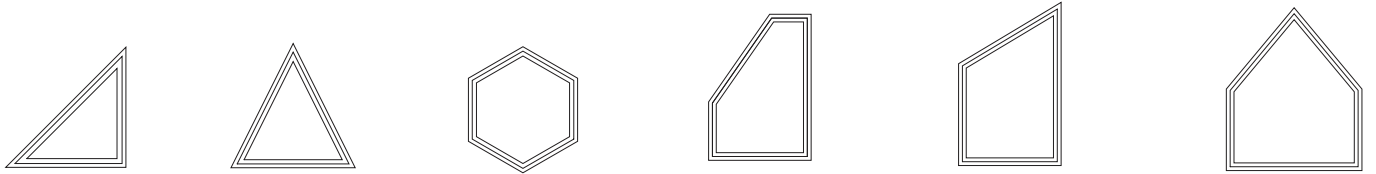
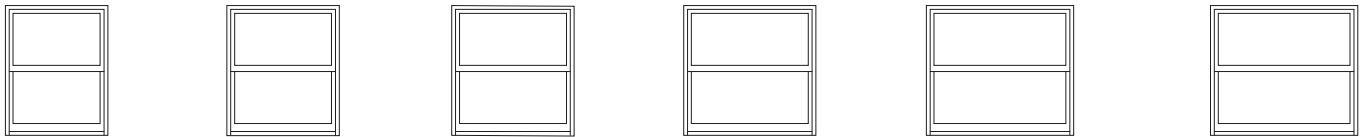
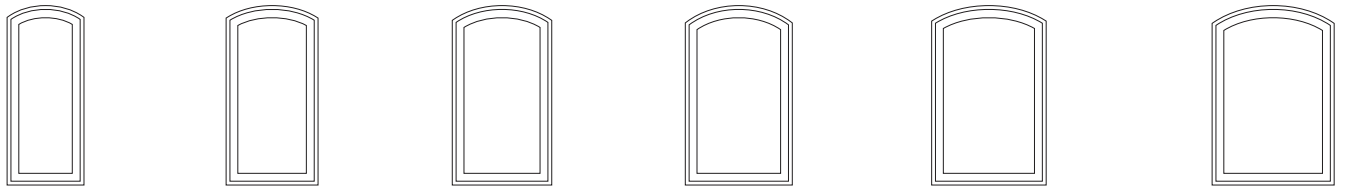
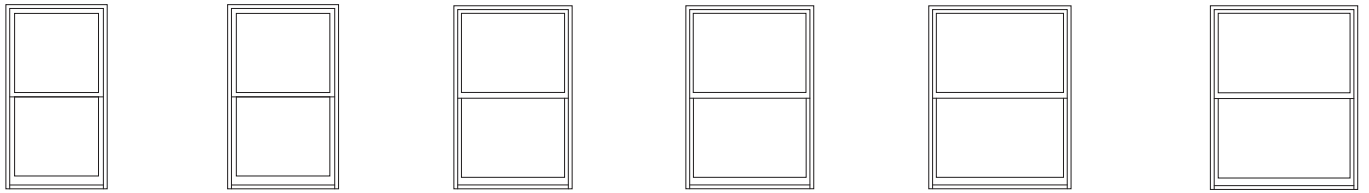
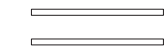


Technical Specifications

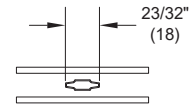


Product Options

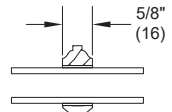
Glazing Profiles



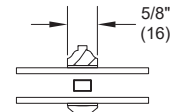
Insulating Glass



Aluminum 23/32"
Contour GBG

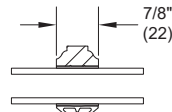


5/8" SDL

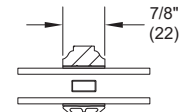


5/8" SDL
W/Spacer

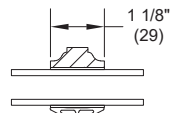
Rectory: Window
#104, only



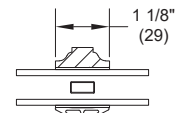
7/8" SDL



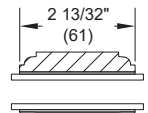
7/8" SDL
W/Spacer Bar



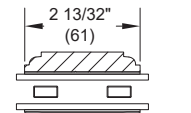
1 1/8" SDL



1 1/8" SDL
W/Spacer Bar



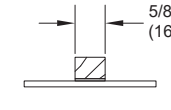
2 13/32" SDL



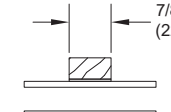
2 13/32" SDL
W/Two Spacer Bars

Product Options

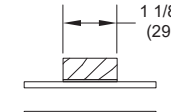
Glazing Profiles



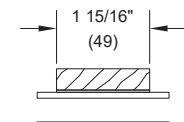
5/8" SDL



7/8" SDL

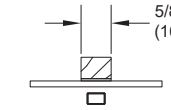


1 1/8" SDL

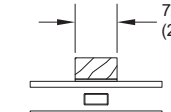


1 15/16" SDL

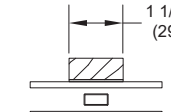
Square Sticking



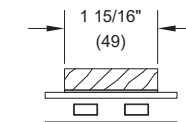
5/8" SDL
W/Spacer



7/8" SDL
W/Spacer Bar



1 1/8" SDL
W/Spacer Bar



1 15/16" SDL
W/Two Spacer Bars

* For additional ADL profiles consult with your local Marvin representative.

Wood Double Hung

MO (mm)	2-0 1/2 (622)	2-4 1/2 (724)	2-8 1/2 (826)	2-10 1/2 (876)	3-0 1/2 (927)	3-2 1/2 (978)	3-4 1/2 (1029)	3-8 1/2 (1130)	4-0 1/2 (1232)
RO (mm)	1-10 3/8 (568)	2-2 3/8 (670)	2-6 3/8 (772)	2-8 3/8 (822)	2-10 3/8 (873)	3-0 3/8 (924)	3-2 3/8 (975)	3-6 3/8 (1076)	3-10 3/8 (1178)
FS (mm)	1-9 3/8 (543)	2-1 3/8 (645)	2-5 3/8 (746)	2-7 3/8 (797)	2-9 3/8 (848)	2-11 3/8 (899)	3-1 3/8 (949)	3-5 3/8 (1051)	3-9 3/8 (1153)
DLO (mm)	1-2 15/16 (379)	1-6 15/16 (481)	1-10 15/16 (583)	2-0 15/16 (633)	2-2 15/16 (684)	2-4 15/16 (735)	2-6 15/16 (786)	2-10 15/16 (887)	3-2 15/16 (989)

Multiple Assembly Conversions

ROUGH OPENING		MASONRY OPENING WITH BMC	
Width	Height	Width	Height
Add all frame sizes plus 1" (25)	Add frame sizes plus 1/2" (13)	Add all frame sizes plus 3 1/8" (79)	Add frame sizes plus 1 9/16" (39)

Details and Elevations not to scale.

E These windows meet national Egress codes for fire evacuation. Local codes may differ.

* For more Cottage Style sizes than the sample shown, please contact your Marvin representative. Ultimate Double Hung cottage call number formula is figured in fifths. Top sash is 2/5 and bottom is 3/5.

1. Standard call number; 2024
2. Add the two glass heights; 24" + 24" = 48"
3. Divide 48" by 2/5; 19-13/64"
4. Round to the nearest standard glass height; 20"
5. Subtract from total glass height; 48" - 20" = 28" The call number for the above example is: 2020/28. The top sash will be a 2020 and the bottom sash will be a 2028

ULTIMATE WOOD DOUBLE HUNG: UWDH

Wood Double Hung

MO (mm)	2-0 1/2 (622)	2-4 1/2 (724)	2-8 1/2 (826)	2-10 1/2 (876)	3-0 1/2 (927)	3-2 1/2 (978)	3-4 1/2 (1029)	3-8 1/2 (1130)	4-0 1/2 (1232)
RO (mm)	1-10 3/8 (568)	2-2 3/8 (670)	2-6 3/8 (772)	2-8 3/8 (822)	2-10 3/8 (873)	3-0 3/8 (924)	3-2 3/8 (975)	3-6 3/8 (1076)	3-10 3/8 (1178)
FS (mm)	1-9 3/8 (543)	2-1 3/8 (645)	2-5 3/8 (746)	2-7 3/8 (797)	2-9 3/8 (848)	2-11 3/8 (899)	3-1 3/8 (949)	3-5 3/8 (1051)	3-9 3/8 (1153)
DLO (mm)	1-2 15/16 (379)	1-6 15/16 (481)	1-10 15/16 (583)	2-0 15/16 (633)	2-2 15/16 (684)	2-4 15/16 (735)	2-6 15/16 (786)	2-10 15/16 (887)	3-2 15/16 (989)

Cottage Style*

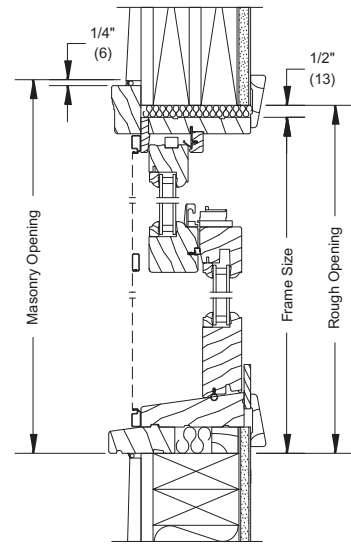
MO (mm)	2-0 1/2 (622)	2-4 1/2 (724)	2-8 1/2 (826)	2-10 1/2 (876)	3-0 1/2 (927)	3-2 1/2 (978)	3-4 1/2 (1029)	3-8 1/2 (1130)	4-0 1/2 (1232)
RO (mm)	1-10 3/8 (568)	2-2 3/8 (670)	2-6 3/8 (772)	2-8 3/8 (822)	2-10 3/8 (873)	3-0 3/8 (924)	3-2 3/8 (975)	3-6 3/8 (1076)	3-10 3/8 (1178)
FS (mm)	1-9 3/8 (543)	2-1 3/8 (645)	2-5 3/8 (746)	2-7 3/8 (797)	2-9 3/8 (848)	2-11 3/8 (899)	3-1 3/8 (949)	3-5 3/8 (1051)	3-9 3/8 (1153)
DLO (mm)	1-2 15/16 (379)	1-6 15/16 (481)	1-10 15/16 (583)	2-0 15/16 (633)	2-2 15/16 (684)	2-4 15/16 (735)	2-6 15/16 (786)	2-10 15/16 (887)	3-2 15/16 (989)

Please consult your local Marvin representative for more information.

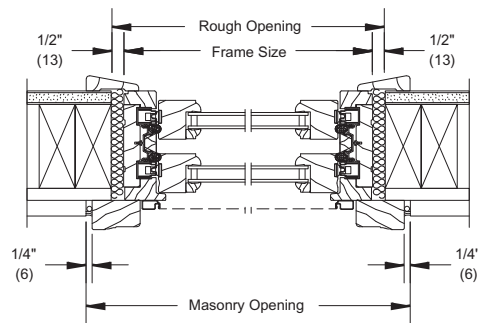
For further details and drawings visit the "Technical Specifications" section at Marvin.com.

Wood Double Hung

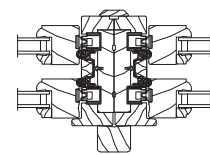
Construction Details



HEAD JAMB AND SILL - OPERATOR



JAMB - OPERATOR



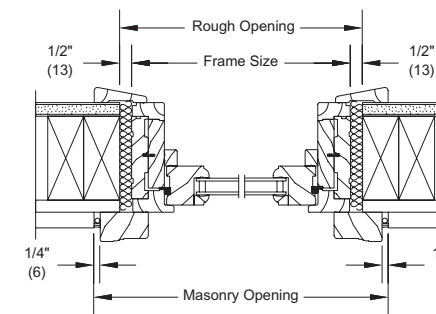
VERTICAL MULLION OPERATOR

Wood Double Hung Transom

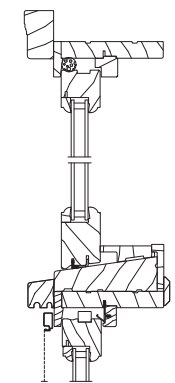
MO (mm)	2-0 1/2 (622)	2-4 1/2 (724)	2-8 1/2 (826)	2-10 1/2 (876)	3-0 1/2 (927)	3-2 1/2 (978)	3-4 1/2 (1029)	3-8 1/2 (1130)	4-0 1/2 (1232)
RO (mm)	1-10 3/8 (568)	2-2 3/8 (670)	2-6 3/8 (772)	2-8 3/8 (822)	2-10 3/8 (873)	3-0 3/8 (924)	3-2 3/8 (975)	3-6 3/8 (1076)	3-10 3/8 (1178)
FS (mm)	1-9 3/8 (543)	2-1 3/8 (645)	2-5 3/8 (746)	2-7 3/8 (797)	2-9 3/8 (848)	2-11 3/8 (899)	3-1 3/8 (949)	3-5 3/8 (1051)	3-9 3/8 (1153)
DLO (mm)	1-2 15/16 (379)	1-6 15/16 (481)	1-10 15/16 (583)	2-0 15/16 (633)	2-2 15/16 (684)	2-4 15/16 (735)	2-6 15/16 (786)	2-10 15/16 (887)	3-2 15/16 (989)

1-6 15/16 (481)	UWDHTR1612	UWDHTR2012	UWDHTR2412	UWDHTR2612	UWDHTR2812	UWDHTR3012	UWDHTR3212	UWDHTR3612	UWDHTR4012
1-5 7/8 (454)									
1-5 3/8 (441)									
0-1 15/16 (278)									
2-2 15/16 (684)	UWDHTR1620	UWDHTR2020	UWDHTR2420	UWDHTR2620	UWDHTR2820	UWDHTR3020	UWDHTR3220	UWDHTR3620	UWDHTR4020
2-1 7/8 (657)									
2-1 3/8 (645)									
1-6 15/16 (481)									

Construction Details



JAMB - OPERATOR



TRANSOM MULLION OVER ULTIMATE WOOD DOUBLE HUNG

Details and Elevations not to scale.

- Transom heights do not include subsill. Add 1 3/32" (28) for stand alone heights if subsill is wanted.

Please consult your local Marvin representative for more information.

For further details and drawings visit the 'Technical Specifications' section at Marvin.com.

ULTIMATE WOOD DOUBLE HUNG TRANSOM: UWDHTR

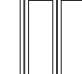
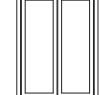


















Wood French Casement / Wood French Casement Push Out

MO (mm)	3 - 3 5/8 (1007)	3 - 7 5/8 (1108)	4 - 3 5/8 (1311)	4 - 11 5/8 (1515)	5 - 3 5/8 (1616)
RO (mm)	3 - 1 (940)	3 - 5 (1041)	4 - 1 (1245)	4 - 9 (1448)	5 - 1 (1549)
FS (mm)	3 - 0 (914)	3 - 4 (1016)	4 - 0 (1219)	4 - 8 (1422)	5 - 0 (1524)
DLO (mm)	1 - 0 55/64 (327)	1 - 2 55/64 (378)	1 - 6 55/64 (479)	1 - 10 55/64 (581)	2 - 0 55/64 (632)

2 - 9 7/8 (660) 2 - 8 9/16 (627) 2 - 8 1/16 (614) 2 - 1 12/64 (643)	 UWFCAP03632	 UWFCA4032 UWFCAP04032	 UWFCA4832 E UWFCAP04832 E	 UWFCA5632 E UWFCAP05632 E	 UWFCA6032 E UWFCAP06032 E
3 - 1 7/8 (962) 3 - 9/16 (929) 3 - 1/16 (916) 2 - 5 21/64 (745)	 UWFCAP03636	 UWFCA4036 UWFCAP04036 E	 UWFCA4836 E UWFCAP04836 E	 UWFCA5636 E UWFCAP05636 E	 UWFCA6036 E UWFCAP06036 E
3 - 5 7/8 (1064) 3 - 4 9/16 (1030) 3 - 4 1/16 (1018) 2 - 9 21/64 (847)	 UWFCAP03640	 UWFCA4040 E UWFCAP04040 E	 UWFCA4840 E UWFCAP04840 E	 UWFCA5640 E UWFCAP05640 E	 UWFCA6040 E UWFCAP06040 E
3 - 9 7/8 (1165) 3 - 8 9/16 (1132) 3 - 8 1/16 (1119) 3 - 1 21/64 (948)	 UWFCAP03644	 UWFCA4044 E UWFCAP04044 E	 UWFCA4844 E UWFCAP04844 E	 UWFCA5644 E UWFCAP05644 E	 UWFCA6044 E UWFCAP06044 E
4 - 1 7/8 (1267) 4 - 9/16 (1234) 4 - 1/16 (1221) 3 - 5 21/64 (1050)	 UWFCAP03648 E	 UWFCA4048 E UWFCAP04048 E	 UWFCA4848 E UWFCAP04848 E	 UWFCA5648 E UWFCAP05648 E	 UWFCA6048 E UWFCAP06048 E
4 - 7 7/8 (1419) 4 - 6 9/16 (1386) 4 - 6 1/16 (1373) 3 - 11 21/64 (1202)	 UWFCAP03654 E	 UWFCA4054 E UWFCAP04054 E	 UWFCA4854 E UWFCAP04854 E	 UWFCA5654 E UWFCAP05654 E	 UWFCA6054 E UWFCAP06054 E

Wood French Casement / Wood French Casement Push Out

MO (mm)	3 - 3 5/8 (1007)	3 - 7 5/8 (1108)	4 - 3 5/8 (1108)	4 - 11 5/8 (1515)	5 - 3 5/8 (1616)
RO (mm)	3 - 1 (940)	3 - 5 (1041)	4 - 1 (1245)	4 - 9 (1448)	5 - 1 (1549)
FS (mm)	3 - 0 (914)	3 - 4 (1016)	4 - 0 (1219)	4 - 8 (1422)	5 - 0 (1524)
DLO (mm)	1 - 0 55/64 (327)	1 - 2 55/64 (378)	1 - 6 55/64 (479)	1 - 10 55/64 (581)	2 - 0 55/64 (632)

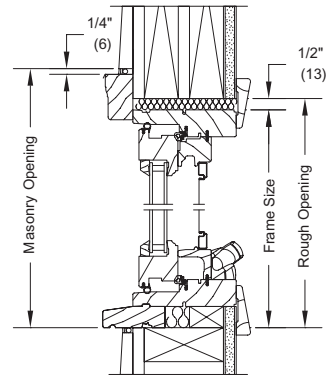
4 - 9 7/8 (1470) 4 - 8 9/16 (1437) 4 - 8 1/16 (1424) 4 - 1 21/64 (1253)	 UWFCAP03656 E	 UWFCA4056 E UWFCAP04056 E	 UWFCA4856 E UWFCAP04856 E	 UWFCA5656 E UWFCAP05656 E	 UWFCA6056 E UWFCAP06056 E
5 - 1 7/8 (1572) 5 - 9/16 (1538) 5 - 1/16 (1526) 4 - 5 21/64 (1355)	 UWFCAP03660 E	 UWFCA4060 E UWFCAP04060 E	 UWFCA4860 E UWFCAP04860 E	 UWFCA5660 E UWFCAP05660 E	 UWFCA6060 E UWFCAP06060 E
5 - 5 7/8 (1673) 5 - 4 9/16 (1640) 5 - 4 1/16 (1627) 4 - 9 21/64 (1456)	 UWFCAP03664 E	 UWFCA4064 E UWFCAP04064 E	 UWFCA4864 E UWFCAP04864 E	 UWFCA5664 E UWFCAP05664 E	 UWFCA6064 E UWFCAP06064 E
6 - 1 7/8 (1876) 6 - 9/16 (1843) 6 - 1/16 (1830) 5 - 5 21/64 (1659)	 UWFCAP03672 ET	 UWFCA4072 ET UWFCAP04072 ET	 UWFCA4872 ET UWFCAP04872 ET	 UWFCA5672 ET UWFCAP05672 ET	 UWFCA6072 ET UWFCAP06072 ET

Details and Elevations not to scale.
 E These windows meet national Egress codes for fire evacuation. Local codes may differ.
 T For safety and/or code requirements, Marvin recommends tempered glass in all units with a frame size height of 72 1/16" or larger and units with a frame size of 25.2 ft² and larger. Please consult your local Marvin representative for more information.
 For further details and drawings visit the 'Technical Specifications' section at Marvin.com.

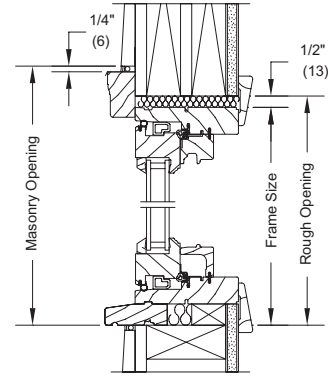
ULTIMATE WOOD FRENCH CASEMENT: UWFCA
ULTIMATE WOOD FRENCH CASEMENT PUSH OUT: UWFCAP0

Wood French Casement

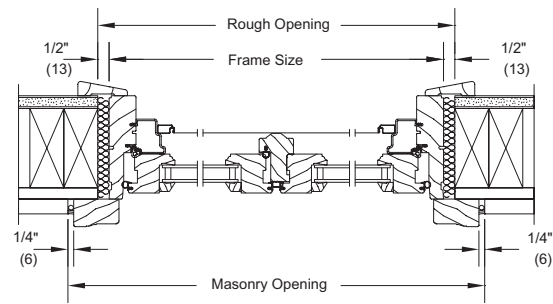
Construction Details



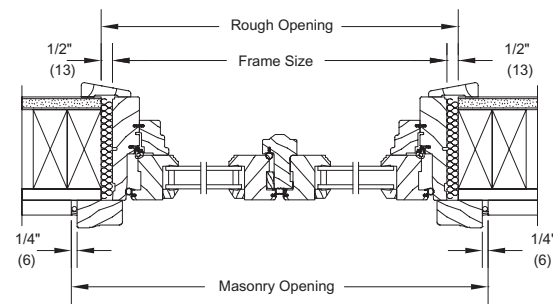
HEAD JAMB AND SILL - OPERATOR



HEAD JAMB AND SILL - STATIONARY



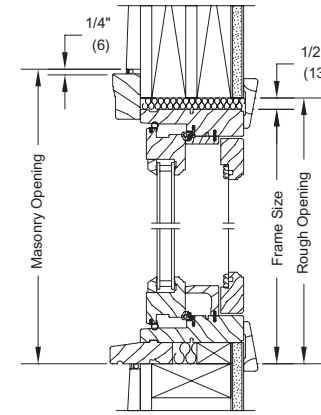
JAMB - OPERATOR



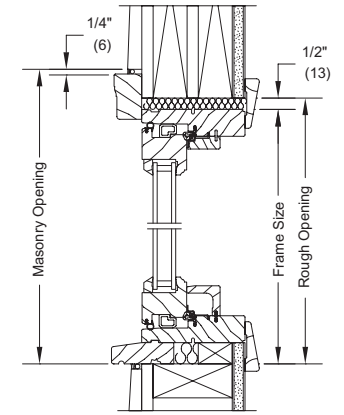
JAMB - STATIONARY

Wood French Casement Push Out

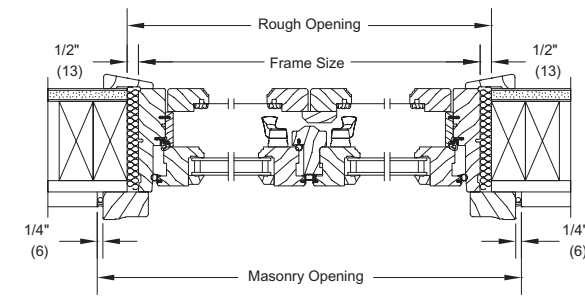
Construction Details



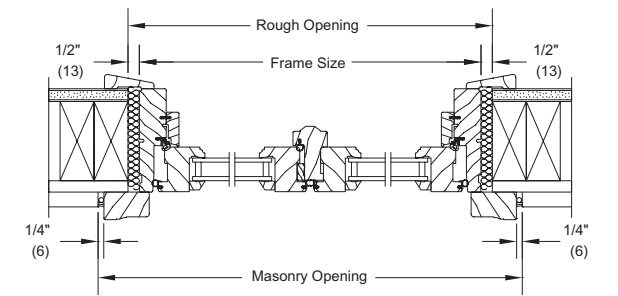
HEAD JAMB AND SILL - OPERATOR WITH SCREEN OPTION



HEAD JAMB AND SILL - STATIONARY



JAMB - OPERATOR WITH SCREEN OPTION



JAMB - STATIONARY

French Casement / French Casement Push Out

MO (mm)	3 - 0 1/2 (927)	3 - 4 1/2 (1029)	4 - 0 1/2 (1232)	4 - 8 1/2 (1435)	5 - 0 1/2 (1537)
RO (mm)	3 - 1 (940)	3 - 5 (1041)	4 - 1 (1245)	4 - 9 (1448)	5 - 1 (1549)
FS (mm)	3 - 0 (914)	3 - 4 (1016)	4 - 0 (1219)	4 - 8 (1422)	5 - 0 (1524)
DLO (mm)	1 - 0 55/64 (327)	1 - 2 55/64 (378)	1 - 6 55/64 (479)	1 - 10 55/64 (581)	12 - 0 55/64 (632)
2 - 7 3/8 (797) 2 - 7 5/8 (803) 2 - 7 1/8 (791) 2 - 2 9/32 (668)	 UFCAPO3632	 UFCA4032 UFCAPO4032	 UFCA4832 E UFCAPO4832 E	 UFCA5632 E UFCAPO5632 E	 UFCA6032 E UFCAPO6032 E
2 - 11 3/8 (899) 2 - 11 5/8 (905) 2 - 11 1/8 (892) 2 - 6 9/32 (769)	 UFCAPO3636	 UFCA4036 UFCAPO4036	 UFCA4836 E UFCAPO4836 E	 UFCA5636 E UFCAPO5636 E	 UFCA6036 E UFCAPO6036 E
3 - 3 3/8 (1000) 3 - 3 5/8 (1006) 3 - 3 1/8 (994) 2 - 10 9/32 (871)	 UFCAPO3640	 UFCA4040 E UFCAPO4040 E	 UFCA4840 E UFCAPO4840 E	 UFCA5640 E UFCAPO5640 E	 UFCA6040 E UFCAPO6040 E
3 - 7 3/8 (1102) 3 - 7 5/8 (1108) 3 - 7 1/8 (1095) 3 - 2 9/32 (972)	 UFCAPO3644	 UFCA4044 E UFCAPO4044 E	 UFCA4844 E UFCAPO4844 E	 UFCA5644 E UFCAPO5644 E	 UFCA6044 E UFCAPO6044 E
3 - 11 3/8 (1203) 3 - 11 5/8 (1210) 3 - 11 1/8 (1197) 3 - 6 9/32 (1074)	 UFCAPO3648 E	 UFCA4048 E UFCAPO4048 E	 UFCA4848 E UFCAPO4848 E	 UFCA5648 E UFCAPO5648 E	 UFCA6048 E UFCAPO6048 E
4 - 5 3/8 (1366) 4 - 5 5/8 (1362) 4 - 5 1/8 (1349) 4 - 0 9/32 (1226)	 UFCAPO3654 E	 UFCA4054 E UFCAPO4054 E	 UFCA4854 E UFCAPO4854 E	 UFCA5654 E UFCAPO5654 E	 UFCA6054 E UFCAPO6054 E

French Casement / French Casement Push Out

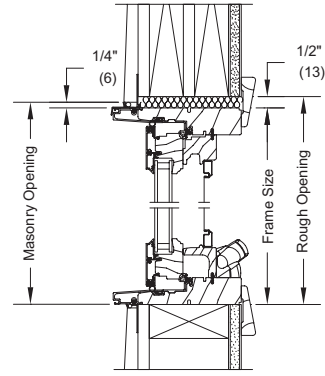
MO (mm)	3 - 0 1/2 (927)	3 - 4 1/2 (1029)	4 - 0 1/2 (1232)	4 - 8 1/2 (1435)	5 - 0 1/2 (1537)
RO (mm)	3 - 1 (940)	3 - 5 (1041)	4 - 1 (1245)	4 - 9 (1448)	5 - 1 (1549)
FS (mm)	3 - 0 (914)	3 - 4 (1016)	4 - 0 (1219)	4 - 8 (1422)	5 - 0 (1524)
DLO (mm)	1 - 0 55/64 (327)	1 - 2 55/64 (378)	1 - 6 55/64 (479)	1 - 10 55/64 (581)	12 - 0 55/64 (632)
4 - 7 3/8 (1407) 4 - 7 5/8 (1413) 4 - 7 1/8 (1400) 4 - 2 9/32 (1277)	 UFCAPO3656 E	 UFCA4056 E UFCAPO4056 E	 UFCA4856 E UFCAPO4856 E	 UFCA5656 E UFCAPO5656 E	 UFCA6056 E UFCAPO6056 E
4 - 11 3/8 (1508) 4 - 11 5/8 (1514) 4 - 11 1/8 (1502) 4 - 6 9/32 (1379)	 UFCAPO3660 E	 UFCA4060 E UFCAPO4060 E	 UFCA4860 E UFCAPO4860 E	 UFCA5660 E UFCAPO5660 E	 UFCA6060 E UFCAPO6060 E
5 - 3 3/8 (1610) 5 - 3 5/8 (1616) 5 - 3 1/8 (1603) 4 - 10 9/32 (1480)	 UFCAPO3664 E	 UFCA4064 E UFCAPO4064 E	 UFCA4864 E UFCAPO4864 E	 UFCA5664 E UFCAPO5664 E	 UFCA6064 E UFCAPO6064 E
5 - 11 3/8 (1813) 5 - 11 5/8 (1819) 5 - 11 1/8 (1807) 5 - 6 9/32 (1684)	 UFCAPO3672 ET	 UFCA4072 ET UFCAPO4072 ET	 UFCA4872 ET UFCAPO4872 ET	 UFCA5672 ET UFCAPO5672 ET	 UFCA6072 ET UFCAPO6072 ET

Details and Elevations not to scale.
 E These windows meet national Egress codes for fire evacuation. Local codes may differ.
 T For safety and/or code requirements, Marvin recommends tempered glass in all units with a frame size height of 72 1/16" or larger and units with a frame size of 25.2 ft² and larger. Please consult your local Marvin representative for more information.
 For further details and drawings visit the 'Technical Specifications' section at Marvin.com.

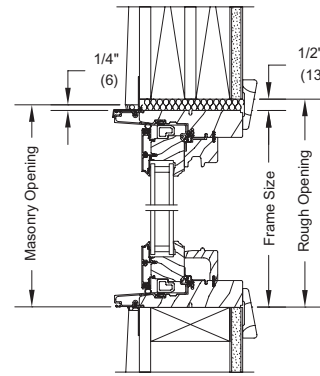
ULTIMATE FRENCH CASEMENT: UFCA
ULTIMATE FRENCH CASEMENT PUSH OUT: UFCAPO

French Casement

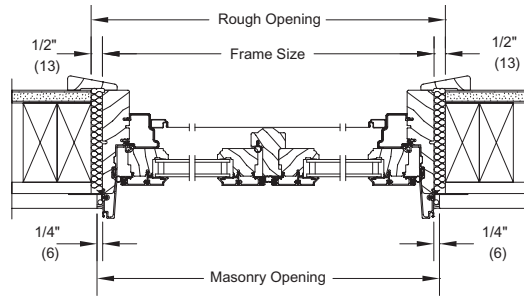
Construction Details



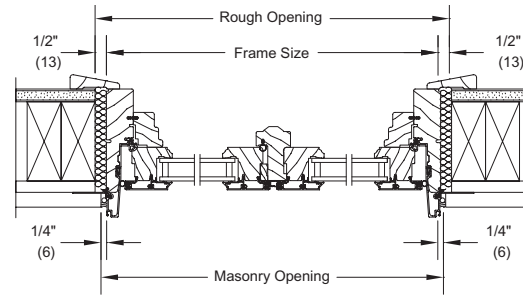
HEAD JAMB AND SILL - OPERATOR



HEAD JAMB AND SILL - STATIONARY



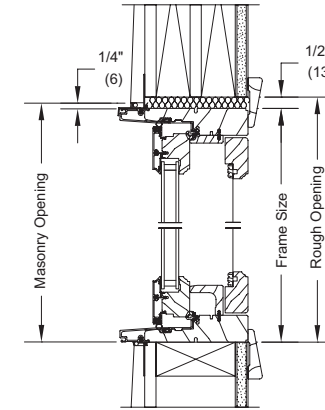
JAMB - OPERATOR



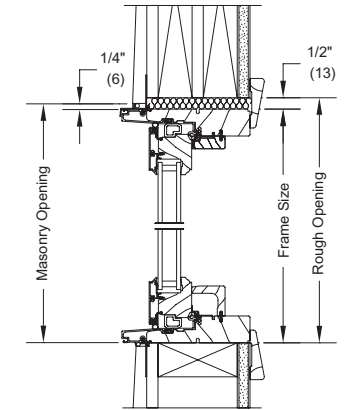
JAMB - STATIONARY

French Casement Push Out

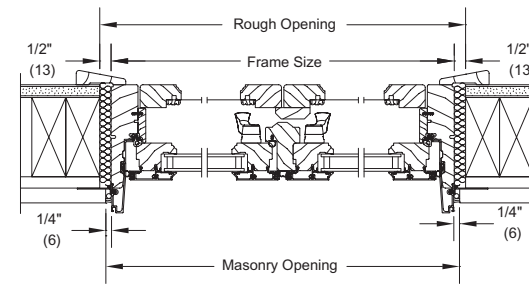
Construction Details



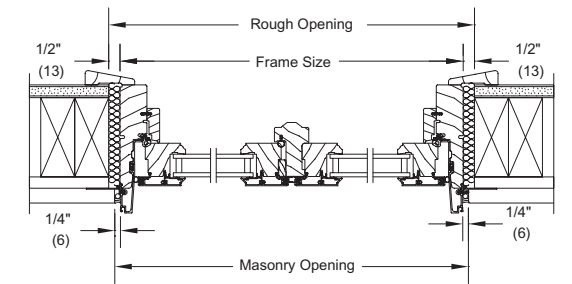
HEAD JAMB AND SILL - OPERATOR WITH WOOD SCREEN OPTION



HEAD JAMB AND SILL - STATIONARY



JAMB - STATIONARY WITH WOOD SCREEN OPTION



JAMB - STATIONARY

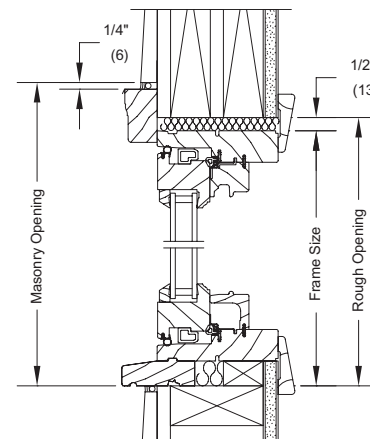
Wood Casement Picture / Wood Casement Push Out Picture

MO (mm)	3 - 7 5/8 (1108)	4 - 3 5/8 (1311)	4 - 11 5/8 (1514)	5 - 3 5/8 (1616)	5 - 7 5/8 (1718)	6 - 3 5/8 (1921)	6 - 11 5/8 (2124)	7 - 7 5/8 (2327)	8 - 3 5/8 (2531)
RO (mm)	3 - 5 (1041)	4 - 1 (1245)	4 - 9 (1448)	5 - 1 (1549)	5 - 5 (1651)	6 - 1 (1854)	6 - 9 (2057)	7 - 5 (2261)	8 - 1 (2464)
FS (mm)	3 - 4 (1016)	4 - 0 (1219)	4 - 8 (1422)	5 - 0 (1524)	5 - 4 (1626)	6 - 0 (1829)	6 - 8 (2032)	7 - 4 (2235)	8 - 0 (2438)
DLO (mm)	2 - 10 3/16 (868)	3 - 6 3/16 (1072)	4 - 2 3/16 (1275)	4 - 6 3/16 (1376)	4 - 10 3/16 (1478)	5 - 6 3/16 (1681)	6 - 2 3/16 (1884)	6 - 10 3/16 (2088)	7 - 6 3/16 (2291)

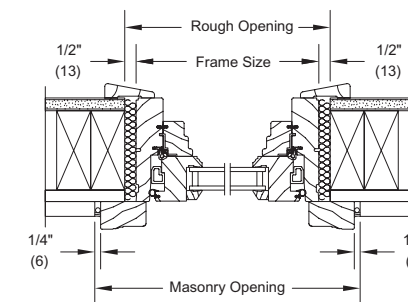
6 - 1 7/8 (1876) 6 - 9/16 (1843) 6 - 1/16 (1830) 5 - 5 5/16 (1659)									
6 - 7 7/8 (2029) 6 - 6 9/16 (1995) 6 - 6 1/16 (1983) 5 - 11 5/16 (1811)									
7 - 1 7/8 (2181) 7 - 9/16 (2148) 7 - 1/16 (2135) 6 - 5 5/16 (1964)									
7 - 9 7/8 (2384) 7 - 8 9/16 (2351) 7 - 8 1/16 (2338) 7 - 1 5/16 (2167)									
8 - 1 7/8 (2486) 8 - 9/16 (2453) 8 - 1/16 (2440) 7 - 5 5/16 (2269)									

Wood Casement Picture / Wood Casement Push Out Picture

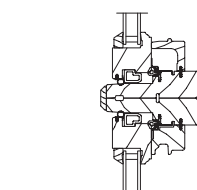
Construction Details



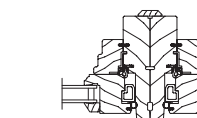
HEAD JAMB AND SILL - PICTURE



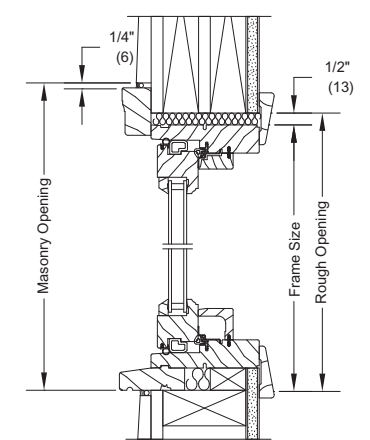
JAMB - PICTURE



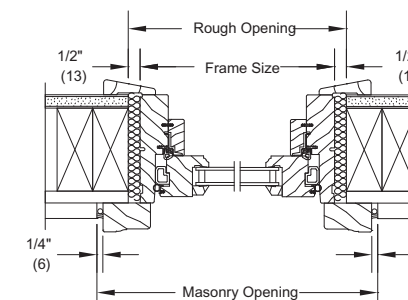
HORIZONTAL MULLION



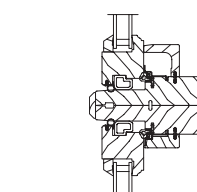
VERTICAL MULLION



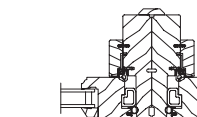
PUSH OUT HEAD JAMB AND SILL - PICTURE



PUSH OUT JAMB - PICTURE



PUSH OUT HORIZONTAL MULLION



PUSH OUT VERTICAL MULLION

Details and Elevations not to scale.
 T For safety and/or code requirements, Marvin recommends tempered glass in all units with a frame size height of 72 1/8" or larger and units with a frame size of 25.2 ft² and larger.
 * Larger sizes require 1" insulating glass.
 Please consult your local Marvin representative for more information.
 For further details and drawings visit the 'Technical Specifications' section at Marvin.com.



Since 1912, Marvin has been a family-owned and -led company, with a legacy of innovation and commitment to the highest quality. We understand the unique opportunity windows and doors have to improve our spaces and how we feel in them. That's why we never stop pushing what's possible and inventing new solutions to channel fresh air, enhance light quality, and connect with the world around us.

MARVIN.COM