

# USM-21121-LAT

## Smith Lattice Light Column

DEREK PORTER STUDIO | LIGHTWORKS  
 BASILICA OF STE. ANNE  
 100% CONSTRUCTION DOCUMENTS

**LB1**

**LIGMAN**  
 LIGHTING USA



66w LED  
 1371 Lumens

45w LED  
 934 Lumens

IP55  
 Suitable for wet locations

IK08  
 Impact Resistant [Vandal Resistant]

Weight 75 lbs

### Construction

#### Aluminum

Less than 0.1% copper content – Marine Grade 6060 extruded & LM6 Aluminum High Pressure die casting provides excellent mechanical strength, clean detailed product lines and excellent heat dissipation.

#### Pre paint

8 step degrease and phosphate process that includes deoxidizing and etching as well as a zinc and nickel phosphate process before product painting.

#### Memory Retentive -Silicon Gasket

Provided with special injection molded “fit for purpose” long life high temperature memory retentive silicon gaskets. Maintains the gaskets exact profile and seal over years of use and compression.

#### Thermal management

LM6 Aluminum is used for its excellent mechanical strength and thermal dissipation properties in low and high ambient temperatures. The superior thermal heat sink design by Ligman used in conjunction with the driver, controls thermals below critical temperature range to ensure maximum luminous flux output, as well as providing long LED service life and ensuring less than 10% lumen depreciation at 50,000 hours.

#### Surge Suppression

Standard 10kv surge suppressor provided with all fixtures.

#### BUG Rating

Contact Factory

#### Finishing

All Ligman products go through an extensive finishing process that includes fettling to improve paint adherence.

#### Paint

UV Stabilized 4.9Mil thick powder coat paint and baked at 200 Deg C. This process ensures that Ligman products can withstand harsh environments. Rated for use in natatoriums.

#### Hardware

Provided Hardware is Marine grade 316 Stainless steel.

#### Anti Seize Screw Holes

Tapped holes are infused with a special anti seize compound designed to prevent seizure of threaded connections, due to electrolysis from heat, corrosive atmospheres and moisture.

#### High Impact Acrylic Lens

Manufactured with Ultra High Impact, Naturally UV Stabilized Injection Molded Acrylic.

#### Optics & LED

Precise optic design provides exceptional light control and precise distribution of light. LED CRI > 80

#### Lumen - Maintenance Life

L80 /B10 at 50,000 hours (This means that at least 90% of the LED still achieve 80% of their original flux)

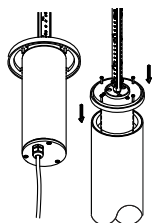
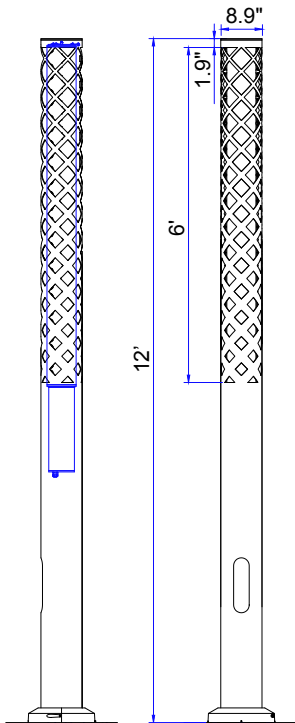
**Straight and clean round column.**  
**Smooth lines complimented with a smooth lighting effect from the opal vertical diffuser.**

Smith is an elegant sturdy light column that is suitable for both modern and classic architecture. Ideal for creating visual guidance with exceptional visual comfort. A sleek and minimalist shape provides distinctive lighting effects by night and decorative urban effect during the day. Suitable for pedestrian precincts, building surrounds, shopping centers, squares and parks. The luminaire is provided with a ultra high impact UV stabilized acrylic lens that provides excellent low glare vertical and illumination.

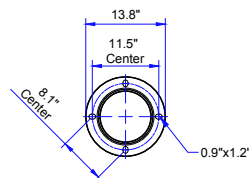
The Smith Column comes standard with a unique waterproof internal driver housing compartment that is situated at the top of the pole to stop water and dust from entering the electrical components. This fixture is supplied completely wired with powercord and waterproof gland from the driver enclosure to the handhole to ensure quick trouble-free installation. Custom pole heights are available, please specify

The flush mounted curve profile handhole cover is gasketed and is supplied with a specially designed camlock vandal resistant securing mechanism. The high pressure die-cast aluminum base with small side reveal to hide the stainless steel vandal resistant screws, provide a rugged yet aesthetic finish to the base of the luminaire. Fixture is provided with anchor bolts and laser cut steel anchor bolt template. Color temperature 2700K, 3000K, 3500K and 4000K.

Custom wattages can be provided to suit customer requirements. (Specify total watts per fixture)  
 This product is provided complete with anchor bolts and laser cut steel bolt template.



Standard Internal Waterproof Driver Housing



Mounting Detail



RGB  
 RGBW Column

HDC APPLICATION  
 1000 ST ANNE ST, DETROIT MI  
 48216

STE. ANNE DE DETROIT:  
 EXTERIOR RESTORATION AND  
 SITE IMPROVEMENTS

LOCAL HISTORIC DISTRICT:  
 STE. ANNE'S PARISH COMPLEX

# USM-21121-LAT

## Smith Lattice Light Column

DEREK PORTER STUDIO | LIGHTWORKS  
 BASILICA OF STE. ANNE  
 100% CONSTRUCTION DOCUMENTS

**LB1**

**LIGMAN**  
 LIGHTING USA

<b>PROJECT</b>		<b>DATE</b>	
----------------	--	-------------	--

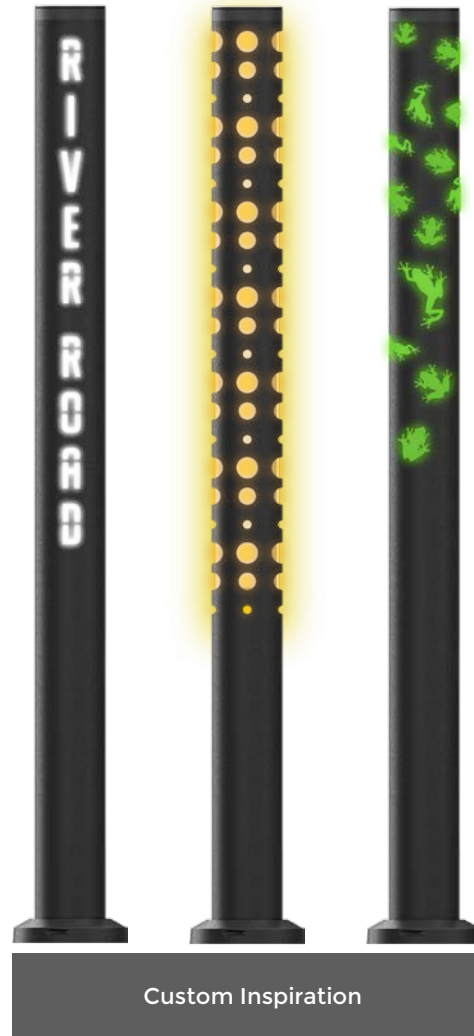
<b>QUANTITY</b>		<b>TYPE</b>		<b>NOTE</b>	
-----------------	--	-------------	--	-------------	--

ORDERING EXAMPLE || USM - 21121-LAT - 45w - W30 - 02 - 120/277v - Options

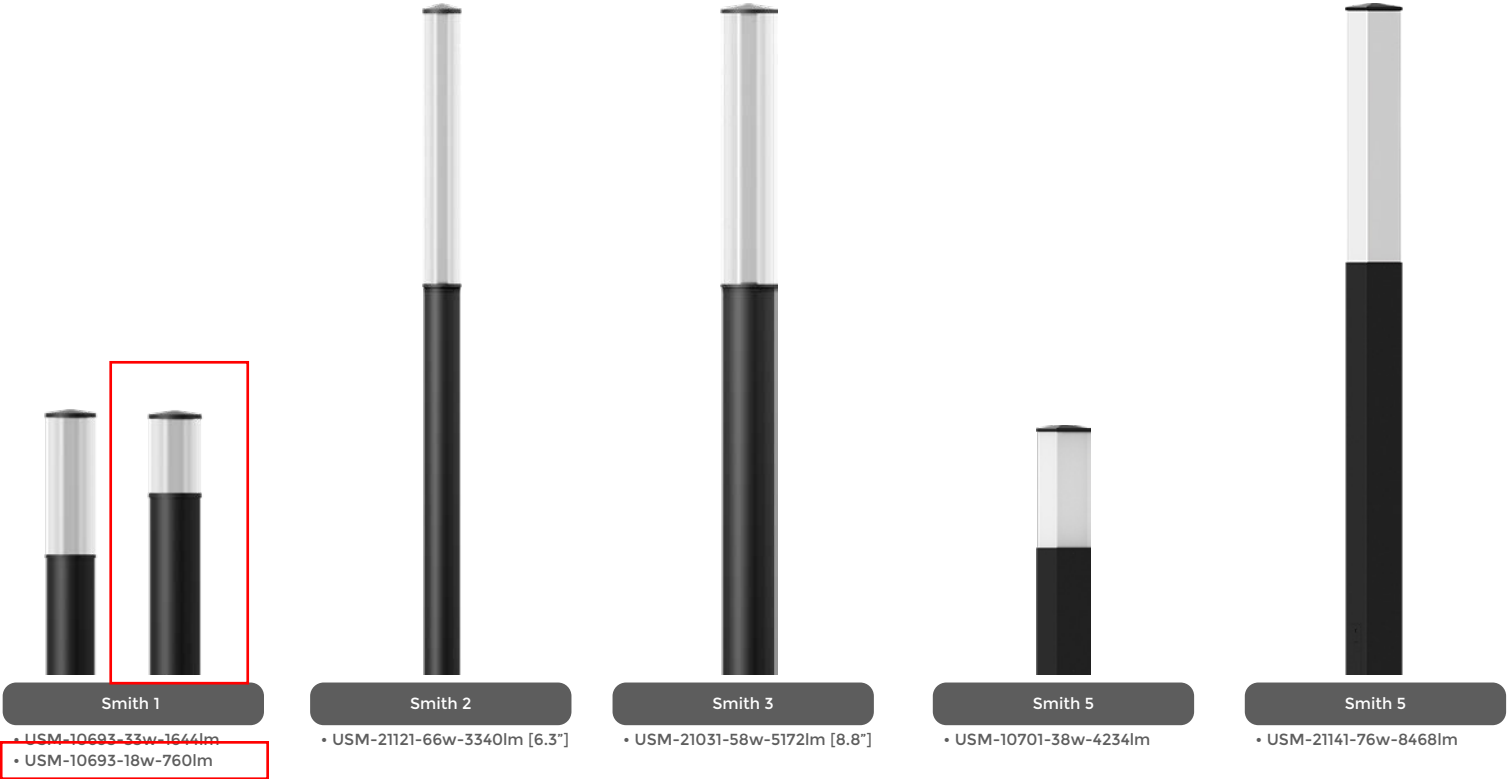
<b>USM-10693-LAT</b>				
<b>LAMP</b>	<b>LED COLOR</b>	<b>FINISH COLOR</b>	<b>VOLTAGE</b>	
18w LED 760 Lumens	W27 - 2700K W30 - 3000K W35 - 3500K W40 - 4000K	01 - BLACK RAL 9011 02 - DARK GREY RAL 7043 03 - WHITE RAL 9003 04 - METALLIC SILVER RAL 9006 05 - MATTE SILVER RAL 9006 06 - LIGMAN BRONZE 07 - CUSTOM RAL	120/277v Other - Specify	
45w LED 934 Lumens				

<b>ADDITIONAL OPTIONS</b>		

- NAT - Natatorium Rated
- DIM - 0-10v Dimming
- RGBW - RGBW Column
- GFCI - GFCI Box
- HGT - Custom Height (Specify)
- 42" OVERALL COLUMN HEIGHT FOR BOLLARD APPLICATION. FINAL DIAMETER AND PROPORTIONS OF THE LENS AREA TBD.
- CUSTOM LATTICE DESIGN TO REFLECT LITURGICAL THEME. PATTERN DESIGN TO BE DEVELOPED BY LIGHTING DESIGNER AND COORDINATED WITH MANUFACTURER.



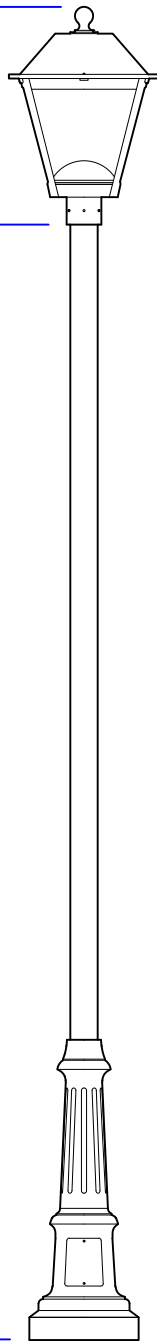
# Smith Product Family



# SUB-NL-NP-LED Suburban Night Lighter *Luminaires: Lanterns - 4 Sided*

**Luminaire Height:** 20" to 24"  
**Square:** 16 1/2"

A perennial favorite for residential communities, parks, campuses, and street lighting. Series SUB-NL is reminiscent of the traditional four-sided lanterns that gave street lighting its beginnings in colonial America.



Features a high-strength cast aluminum structure. Mates tastefully with aluminum, or, cast iron poles.



SUB-NL-LED utilizes the most current solid state technology to deliver high lumen output, exceptional light distribution, superior visual comfort, extended service life, and energy reduction.

*For Ordering Information see reverse.*

The Suburban Night Lighter luminaire without frosted panels provides dark skies friendly performance. There is no resulting upright directly from the downward-facing, light-emitting optical surfaces. The luminaire's precision design reduces light pollution and helps to preserve the natural beauty of the nighttime sky.



Certification applicable for maximum 3000K CCT.

*Shown with 12 ft. aluminum pole.  
Catalog #: SAL-3H-P-12'*



## SUB-NL-NP-LED Suburban Night Lighter

**Sentry Electric LLC**  
185 Buffalo Avenue, Freeport, New York, 11520  
Telephone: 516.379.4660 Fax: 516.378.0624  
www.sentrylighting.com info@sentrylighting.com

# SUB-NL-NP-LED Suburban Night Lighter *Luminaires: Lanterns - 4 Sided*

## Product Features

### Construction

All components including finial, hood, struts and base to be of high-strength ASTM 356.1 cast aluminum. Luminaire shall be fully welded creating one integral housing. Hood shall be hinged to allow for easy access to the optical chamber. LED components and driver are securely affixed to the mechanical structures. A thermal management system dissipates heat to insure compliance with ratings of the LED components and driver.

### Optical

Internal optical system to optimize performance, distribution, and visual comfort. Available in symmetrical and asymmetrical light distribution.

### Electrical

Meets UL 1598 for Safety. Utilizes voltage sensing 120-277V driver. Rated life of 50,000 hours at 70% lumen maintenance at 25°C. Compatible with 0-10V lighting control systems. Surge protected line-neutral, line-ground, and neutral-ground in accordance with ANSI/IEEE 62.41, Category C3. Luminaires shall be prewired and factory tested.

### Ambient Temperature

-40° C minimum to 35° C maximum (Luminaire not to operate at maximum temperature for a period of time longer than 15% of total operating hours.).

### Finish

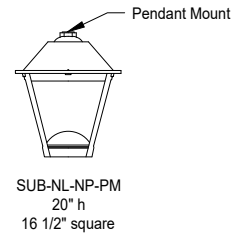
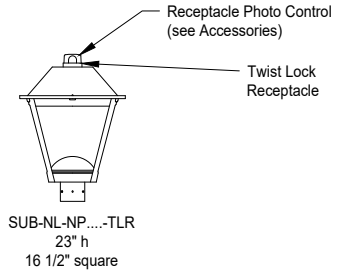
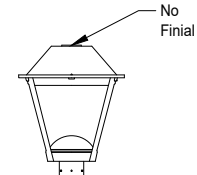
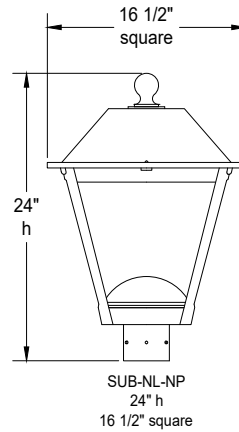
To insure product durability, all exposed metallic surfaces shall be finished with a high performance coating consisting of high gloss Super Durable polyester powder coat paint to be applied utilizing a multistage process that includes phosphate pretreatment, electrostatic powder application, and convection curing. Paint shall be weather, corrosion, abrasion, and UV resistant in compliance with the American Architectural Manufacturers Association's specification AAMA 2604-05. Color to be specified.

### Mounting

Post top version mounts to a Ø3" by 3" tall tenon. Three (3) 3/8"-16 UNC stainless steel allen head cup point set screws secure luminaire to post top tenon. All mounting hardware shall be stainless steel.

Pendant version mounts to a 1-1/4" NPS nipple using a 1-1/4" NPS coupling in top casting of luminaire. One (1) 3/8"-16 UNC stainless steel allen head cup point set screw stops the luminaire from unwanted movement on the nipple.

## Model



Light Source	(2x12)LEDS50-0.7A		(2x12)LEDS50-0.35A	
Wattage	55W		25W	
Color Temp	3000K		3000K	
	Delivered Lumens	Lumens Per Watt	Delivered Lumens	Lumens Per Watt
STR-T2L (Type II)	6231	113	3427	137
STR-T3L (Type III)	6390	116	3514	140
STR-T4B (Type IV)	5800	105	3190	127
STR-VSM (Type V Square)	6832	124	3758	150

## Ordering Information

Choose the **boldface** catalog references that best suit your needs.

Example: **Model** SUB-NL-NP - **Light Source** (2x12)LEDS50-0.7A - **Color Temp** 730 - **Distribution** STR-VSM - **Options** TLR - **Accessories** RPC - **Finish** BK

CONTRACTOR SHALL PROVIDE BRONZE FINISH SAMPLE FOR REVIEW AND APPROVAL

CONTRACTOR SHALL INCLUDE 120V POWER RECEPTACLE AT EACH POLE. INTEGRATION OF RECEPTACLE AND MOUNTING LOCATION ON POLE TBD.

Model	Mounting	Light Source & Wattage	Distribution	Options	Finish
SUB-NL-NP	(blank) Post Top Mount	(2x12)LEDS50-0.7A 55 watts	STR-VSM Type V Square	TLR Twist Lock Receptacle	BK Black
		(2x12)LEDS50-0.35A 25 watts	STR-T4B Type IV	TLR7 Twist Lock Receptacle, 7 Pin with Dimming and Control Contacts	BZ Bronze
PM	Pendant Mount	CRI & Color Temperature		NF No Finial	FG Federal Green
		730 70 CRI, 3000K	STR-T3L Type III	HSS House Side Shield	GY Gray
		740 70 CRI, 4000K	STR-T2L Type II	(TLR and TLR7 only for Post Top Mount)	WH White
		Consult factory for additional light source and color temperature options.		Accessories	SIL Silver
				RPC Receptacle Photo Control (TLR only)	BLU Blue
				Voltage	SBRZ Statuary Bronze
				(blank) 120V thru 277V (Standard)	Consult factory for additional finishes.
				120V 120V (With BPC Only)	
				208-277V 208V thru 277V (With BPC Only)	

# UAR-21052

## Arizona 5 Post Top



37w LED  
3519 Lumens

IP65  
Suitable for wet locations

IK08  
Impact Resistant [Vandal Resistant]

EPA - 1.48

Weight - 43.4 lbs

POLE NOT INCLUDED

### Construction

**Aluminum**  
Less than 0.1% copper content - Marine Grade 6060 extruded & LM6 Aluminum High Pressure die casting provides excellent mechanical strength, clean detailed product lines and excellent heat dissipation.

**Pre paint**  
8 step decrease and phosphate process that includes deoxidizing and etching as well as a zinc and nickel phosphate process before product painting.

**Memory Retentive -Silicon Gasket**  
Provided with special injection molded "fit for purpose" long life high temperature memory retentive silicon gaskets. Maintains the gaskets exact profile and seal over years of use and compression.

**Thermal management**  
LM6 Aluminum is used for its excellent mechanical strength and thermal dissipation properties in low and high ambient temperatures. The superior thermal heat sink design by Ligman used in conjunction with the driver, controls thermals below critical temperature range to ensure maximum luminous flux output, as well as providing long LED service life and ensuring less than 10% lumen depreciation at 50,000 hours.

**Surge Suppression**  
Standard 10kv surge suppressor provided with all fixtures.

**BUG Rating**  
Contact Factory

**Finishing**  
All Ligman products go through an extensive finishing process that includes fettling to improve paint adherence.

**Paint**  
UV Stabilized 4.9Mil thick powder coat paint and baked at 200 Deg C. This process ensures that Ligman products can withstand harsh environments. Rated for use in natatoriums.

**Inspired by Nature Finishes**  
The Inspired by nature Finishing is a unique system of decorative powder coating. Our metal decoration process can easily transform the appearance of metal or aluminum product into a wood grain finish.

This patented technology enables the simulation of wood grain, and even marble or granite finish through the use of decorative powder coating.

The wood grain finish is so realistic that it's almost undistinguishable from real wood, even from a close visual inspection. The system of coating permeates the entire thickness of the coat and as a result, the coating cannot be removed by normal rubbing, chipping, or scratching.

**The Coating Process**  
After pre-treatment the prepared parts are powder coated with a specially formulated polyurethane powder. This powder provides protection against wear, abrasion, impact and corrosion and acts as the relief base color for the finalized metal decoration.

The component is then wrapped with a sheet of non-porous film with the selected decoration pattern printed on it using special high temperature inks.

This printed film transfer is vacuum-sealed to the surface for a complete thermo print and then transferred into a customized oven. The oven transforms the ink into different forms within the paint layer before it becomes solid. Finally, the film is removed, and a vivid timber look on aluminum remains.

Wood grain coating can create beautiful wood-looking products of any sort. There are over 300 combinations of designs currently in use. Wood grains can be made with different colors, designs, etc.

Our powder coatings are certified for indoor and outdoor applications and are backed by a comprehensive warranty. These coatings rise to the highest conceivable standard of performance excellence and design innovation.

- Added Benefits**
- Resistance to salt-acid room, accelerated aging
  - Boiling water, lime and condensed water resistant
  - Anti-Graffiti, Anti-Slip, Anti-Microbial, Anti-Scratch
  - Super durable (UV restant)
  - TGIC free (non-toxic)

**Hardware**  
Provided Hardware is Marine grade 316 Stainless steel.

**Anti Seize Screw Holes**  
Tapped holes are infused with a special anti seize compound designed to prevent seizure of threaded connections, due to electrolysis from heat, corrosive atmospheres and moisture.

**High Impact Acrylic Lens**  
Manufactured with Ultra High Impact, Naturally UV Stabilized Injection Molded Acrylic.

**Optics & LED**  
Precise optic design provides exceptional light control and precise distribution of light.  
LED CRI > 80

**Lumen - Maintenance Life**  
L80 /B10 at 50,000 hours (This means that at least 90% of the LED still achieve 80% of their original flux)

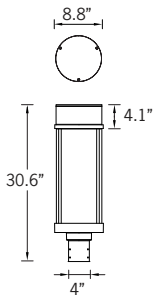
### Streamlined lighting post top. Clean-lined, smooth round decorative ambient lighting post top with opal lateral diffuser.

The Arizona is an elegant post top that is suitable for both modern and classic architecture. Ideal for creating visual guidance with exceptional visual comfort. The dual sealed optical chamber with integrated heat sinks houses a range of field interchangeable optically controlled LED's, providing Type V distribution.

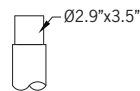
This product range is available in a 28w option for the 6.3" and 37w & 39w for the 8.8" diameter post top. Customer specific wattages can be provided, contact the factory for more information.

This product range is complemented with high performance optics in the wall mounted luminaire and column configuration, to provide a consistent range of design aesthetics for the project. See website for more information.

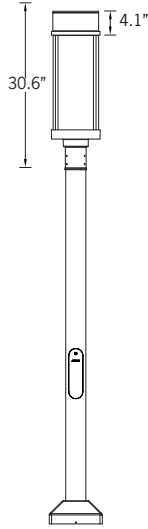
ARIZONA 5 POLE MOUNTED LUMINAIRE WITH CUSTOM MODIFIED DISC VISOR ADDED TO LUMINAIRE. FINAL DESIGN, DIMENSIONS, MATERIAL AND ATTACHMENT DETAIL TBD WITH MANUFACTURER. (REFER TO PAGE 3 OF CUT SHEET)



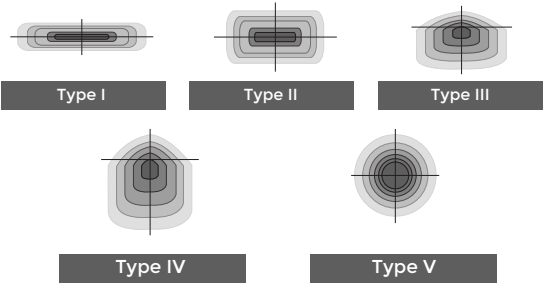
Fixture Detail



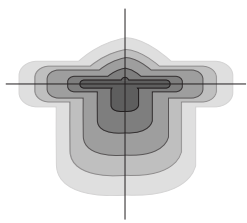
Tenon Detail



Ligman's micro Variable Optical System provides the ability to interchange, mix & rotate optics to provide specific light distributions for optimized spacing and uniformity.

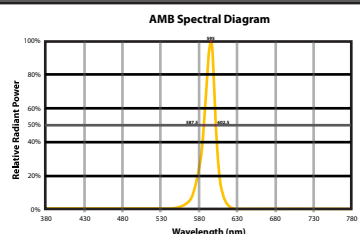


The variable optic system allows for the designer to create hybrid distributions for precise lighting requirements.



HYBRID TYPE I & TYPE IV

### CITY OF FLAGSTAFF & TURTLE FRIENDLY COMPLIANT



**Narrow-Spectrum Amber LEDs**  
Peak wavelength between 585 & 595 nanometers and a full width of 50% power no greater than 15 nanometers.

# UAR-21052

Arizona 5 Post Top

DEREK PORTER STUDIO | LIGHTWORKS  
BASILICA OF STE. ANNE  
100% CONSTRUCTION DOCUMENTS


LP2

**LIGMAN**  
LIGHTING USA

<b>PROJECT</b>		<b>DATE</b>	
----------------	--	-------------	--

<b>QUANTITY</b>		<b>TYPE</b>		<b>NOTE</b>	
-----------------	--	-------------	--	-------------	--

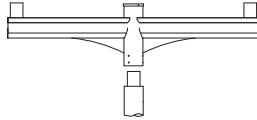
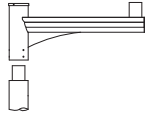
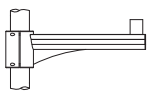
ORDERING EXAMPLE || UAR - 21052 - 37w LED - T2 - W30 - 02 - 120/277v

<b>UAR-21052</b>					
<b>LAMP</b>	<b>BEAM</b>	<b>LED COLOR</b>	<b>FINISH COLOR</b>	<b>VOLTAGE</b>	
37w LED 3519 Lumens	T1 - Type I Distribution T2 - Type II Distribution T3 - Type III Distribution T4 - Type IV Distribution	W27 - 2700K W30 - 3000K W35 - 3500K W40 - 4000K AMB - <small>TURTLE FRIENDLY</small> Amber LED 	01 - BLACK RAL 9011 02 - DARK GREY RAL 7043 03 - WHITE RAL 9003 04 - METALLIC SILVER RAL 9006 05 - MATTE SILVER RAL 9006 06 - LIGMAN BRONZE 07 - CUSTOM RAL	120/277v Other - Specify	

<b>ADDITIONAL OPTIONS</b>			

**DIM - 0-10v Dimming**

NAT - Natatorium Rated  
HSS - House Side Shield



A20176  
Aluminum Arm Pole Clamp

A20276  
Aluminum Single Arm

A20376  
Aluminum Double Arm

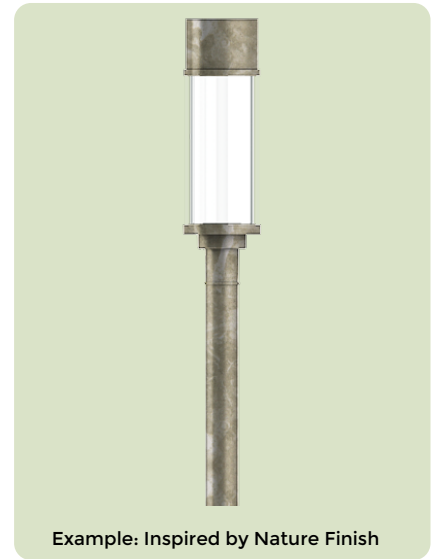
- INSPIRED BY NATURE FINISHES**
- SW01 - OAK FINISH
  - SW02 - WALNUT FINISH
  - SW03- PINE FINISH
  - DF - DOUGLAS FIR FINISH
  - CW - CHERRY WOOD FINISH
  - NW - NATIONAL WALNUT FINISH
  - SU01 - CONCRETE FINISH
  - SU02 - SOFTSCAPE FINISH
  - SU03 - STONE FINISH
  - SU04 - CORTEN FINISH

THERE IS AN ADDITIONAL COST FOR THESE FINISHES

20' ALUMINUM POLE, 4" DIAMETER TO BE SUPPLIED BY MANUFACTURER. LIGMAN BRONZE FINISH TO MATCH LUMINAIRE

## More Custom Finishes Available Upon Request

Consult factory for pricing and lead times



# Arizona Product Family



Arizona 1

• UAR-21012-28w-1826lm



Arizona 2

• UAR-20973-39w-3657lm  
 • UAR-20974-37w-3697lm



Arizona 2

• UAR-20973-21131-39/2x21w  
 • UAR-20974-21131-37/2x21w



Arizona 2

• UAR-20973-21151-39/3x15w  
 • UAR-20974-21152-37/3x15w



Arizona 2

• UAR-20973-21161-39/3x15w  
 • UAR-20974-21162-37/3x15w



Arizona 3

• UAR-20991-50w-4396 lm



Arizona 3

• UAR-20992-85w-9243lm  
 • UAR-20993-115w-12795lm



Arizona 4

• UAR-21041-28w-1826lm



Arizona 5

• UAR-21051-39w-3657lm  
 • UAR-21052-37w-3519lm

CUSTOM MODIFIED DISC VISOR ADDED TO LUMINAIRE. FINAL DESIGN, DIMENSIONS, MATERIAL AND ATTACHMENT DETAIL TBD WITH MANUFACTURER.

# UFOR-20011

## Forrey 9 Post Top Opal Lens

DEREK PORTER STUDIO | LIGHTWORKS  
BASILICA OF STE. ANNE  
100% CONSTRUCTION DOCUMENTS

LP3

**LIGMAN**  
LIGHTING USA



50w LED  
4197 Lumens

IP65  
Suitable for wet locations

IK08  
Impact Resistant [Vandal Resistant]

EPA - 1.86

Weight - 48.5 lbs

POLE NOT INCLUDED

### Construction

#### Aluminum

Less than 0.1% copper content - Marine Grade 6060 extruded & LM6 Aluminum High Pressure die casting provides excellent mechanical strength, clean detailed product lines and excellent heat dissipation.

#### Pre paint

8 step degrease and phosphate process that includes deoxidizing and etching as well as a zinc and nickel phosphate process before product painting.

#### Memory Retentive - Silicon Gasket

Provided with special injection molded "fit for purpose" long life high temperature memory retentive silicon gaskets. Maintains the gaskets exact profile and seal over years of use and compression.

#### Thermal management

LM6 Aluminum is used for its excellent mechanical strength and thermal dissipation properties in low and high ambient temperatures. The superior thermal heat sink design by Ligman used in conjunction with the driver, controls thermals below critical temperature range to ensure maximum luminous flux output, as well as providing long LED service life and ensuring less than 10% lumen depreciation at 50,000 hours.

#### Surge Suppression

Standard 10kv surge suppressor provided with all fixtures.

#### BUG Rating

Contact Factory

#### Finishing

All Ligman products go through an extensive finishing process that includes fettling to improve paint adherence.

#### Paint

UV Stabilized 4.9Mil thick powder coat paint and baked at 200 Deg C. This process ensures that Ligman products can withstand harsh environments. Rated for use in natatoriums.

#### Inspired by Nature Finishes

The Inspired by nature Finishing is a unique system of decorative powder coating. Our metal decoration process can easily transform the appearance of metal or aluminum product into a wood grain finish.

This patented technology enables the simulation of wood grain, and even marble or granite finish through the use of decorative powder coating.

The wood grain finish is so realistic that it's almost indistinguishable from real wood, even from a close visual inspection. The system of coating permeates the entire thickness of the coat and as a result, the coating cannot be removed by normal rubbing, chipping, or scratching.

#### The Coating Process

After pre-treatment the prepared parts are powder coated with a specially formulated polyurethane powder. This powder provides protection against wear, abrasion, impact and corrosion and acts as the relief base color for the finalized metal decoration.

The component is then wrapped with a sheet of non-porous film with the selected decoration pattern printed on it using special high temperature inks.

This printed film transfer is vacuum-sealed to the surface for a complete thermo print and then transferred into a customized oven. The oven transforms the ink into different forms within the paint layer before it becomes solid. Finally, the film is removed, and a vivid timber look on aluminum remains.

Wood grain coating can create beautiful wood-looking products of any sort. There are over 300 combinations of designs currently in use. Wood grains can be made with different colors, designs, etc.

Our powder coatings are certified for indoor and outdoor applications and are backed by a comprehensive warranty. These coatings rise to the highest conceivable standard of performance excellence and design innovation.

#### Added Benefits

- Resistance to salt-acid room, accelerated aging
- Boiling water, lime and condensed water resistant
- Anti-Graffiti, Anti-Slip, Anti-Microbial, Anti-Scratch
- Super durable (UV resistant)
- TGIC free (non-toxic)

#### Hardware

Provided Hardware is Marine grade 316 Stainless steel.

#### Anti Seize Screw Holes

Tapped holes are infused with a special anti seize compound designed to prevent seizure of threaded connections, due to electrolysis from heat, corrosive atmospheres and moisture.

#### Optics & LED

Precise optic design provides exceptional light control and precise distribution of light.  
LED CRI > 80

#### Lumen - Maintenance Life

L80 /B10 at 50,000 hours (This means that at least 90% of the LED still achieve 80% of their original flux)

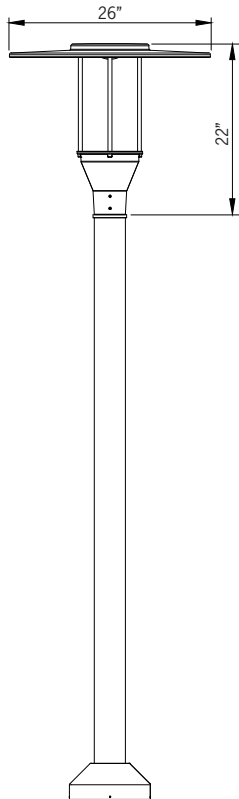
**High efficiency meets the classic for factor. Complete range of decorative lighting solutions, offering multiple beam distributions and superior efficacies.**

A decorative range of post top luminaires, designed to complement the Forrey pendant, bollard and wall mount with options of having no lens or a high impact UV stabilized opal lens. This decorative lantern provides a symmetrical light distribution using high output COB LED.

Color temperature 2700K, 3000K, 3500K and 4000K, LED CRI >80 and life time 50,000 Hours. High pressure die-cast marine grade LM6 aluminum body that is pre-treated with a nickel and zinc phosphate and then powder coated with a 4.9mil thick paint finish ensuring high corrosion resistance. Marine grade 316 stainless steel fasteners.

Durable memory retentive silicone rubber gasket and clear high impact naturally UV stabilized acrylic lens. Anodized high purity aluminum reflector. This luminaire is provided prewired with power cord to the handhole to simplify installation.

For No Lens or Clear Lens, see UFOR-20001



Tenon Detail

### Additional Options (Consult Factory For Pricing)



HSS  
House Side Shield



PHSS  
Perforated House Side Shield

# UFOR-20011

Forrey 9 Post Top Opal Lens

DEREK PORTER STUDIO | LIGHTWORKS  
 BASILICA OF STE. ANNE  
 100% CONSTRUCTION DOCUMENTS

**LP3**

**LIGMAN**  
 LIGHTING USA

<b>PROJECT</b>		<b>DATE</b>	
----------------	--	-------------	--

<b>QUANTITY</b>		<b>TYPE</b>		<b>NOTE</b>	
-----------------	--	-------------	--	-------------	--

ORDERING EXAMPLE || UFOR - 20011 - 50w - W30 - 02 - 120/277v - Options

<b>UFOR-20011</b>				
<b>LAMP</b>	<b>LED COLOR</b>	<b>FINISH COLOR</b>	<b>VOLTAGE</b>	
50w LED 4197 Lumens	W27 - 2700K W30 - 3000K W35 - 3500K W40 - 4000K	01 - BLACK RAL 9011 02 - DARK GREY RAL 7043 03 - WHITE RAL 9003 04 - METALLIC SILVER RAL 9006 05 - MATTE SILVER RAL 9006 06 - LIGMAN BRONZE 07 - CUSTOM RAL	120/277v Other - Specify	

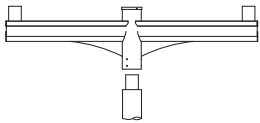
<b>ADDITIONAL OPTIONS</b>			

- DIM - 0-10v Dimming**
- NAT - Natatorium Rated
- HSS - House Side Shield
- PHSS - Perforated House Side Shield
- C - Clear Lens



A20176 Aluminum Arm Pole Clamp

A20276 Aluminum Single Arm



A20376 Aluminum Double Arm

10' ALUMINUM POLE TO BE SUPPLIED BY MANUFACTURER. POLE DIAMETER TBD BY MANUFACTURER TO BE COMPATIBLE WITH LUMINAIRE SLIP-FITTER. LIGMAN BRONZE FINISH TO MATCH LUMINAIRE

- INSPIRED BY NATURE FINISHES**
- SW01 - OAK FINISH
  - SW02 - WALNUT FINISH
  - SW03 - PINE FINISH
  - DF - DOUGLAS FIR FINISH
  - CW - CHERRY WOOD FINISH
  - NW - NATIONAL WALNUT FINISH
  - SU01 - CONCRETE FINISH
  - SU02 - SOFTSCAPE FINISH
  - SU03 - STONE FINISH
  - SU04 - CORTEN FINISH

THERE IS AN ADDITIONAL COST FOR THESE FINISHES

## More Custom Finishes Available Upon Request

Consult factory for pricing and lead times



Example: Inspired by Nature Finish



# Forrey Product Family



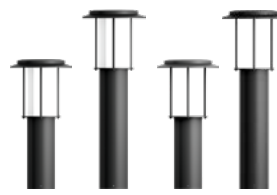
Forrey 1 Ø6.3

- UFOR-10001-48w COB-4755lm-32.4"
- UFOR-10011-48w COB-4755lm-42.8"
- UFOR-10021-50w LED-4340lm-32.4"
- UFOR-10031-50w LED-4340lm-42.8"



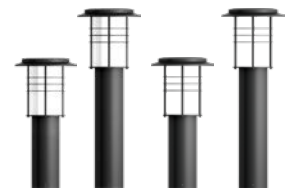
Forrey 2 Ø6.3"

- UFOR-10002-48w COB-3527lm-32.4"
- UFOR-10012-48w COB-3527lm-42.8"
- UFOR-10022-50w LED-3361lm-32.4"
- UFOR-10032-50w LED-3361lm-42.8"



Forrey 3 Ø7.3"

- UFOR-10081-51w COB-4755lm-34.3"
- UFOR-10091-48w COB-4755lm-46.3"
- UFOR-10101-50w LED-4340lm-34.3"
- UFOR-10111-50w LED-4340lm-46.3"



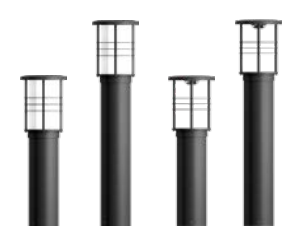
Forrey 4 Ø7.3"

- UFOR-10082-48w COB-3527lm-34.3"
- UFOR-10092-48w COB-3527lm-34.3"
- UFOR-10102-50w LED-3361lm-34.3"
- UFOR-10112-50w LED-3361lm-34.3"



Forrey 5 Ø6.3

- UFOR-10041-48w COB-4780lm-32.4"
- UFOR-10051-48w COB-4780lm-42.8"
- UFOR-10061-50w LED-4556lm-32.4"
- UFOR-10071-50w LED-4556lm-42.8"



Forrey 6 Ø6.3

- UFOR-10042-48w COB-3711lm-42.8"
- UFOR-10062-50w LED-3526lm-42.8"
- UFOR-10052-48w COB-3711lm-42.8"
- UFOR-10072-50w LED-3526lm-42.8"



Forrey 8 Ø7.3"

- UFOR-10122-48w COB-3711lm-46.3"
- UFOR-10132-48w COB-3711lm-46.3"
- UFOR-10142-50w LED-3526lm-34.3"
- UFOR-10152-50w LED-3526lm-46.3"



Forrey 9 Ø26"

- UFOR-20001-48w COB-4813lm
- UFOR-20011-50w LED-4197lm

MANUFACTURER SHALL VERIFY SOLID DISC REFLECTOR CAP AT TOP OF LUMINAIRE. FINISH TO MATCH LIGMAN BRONZE FINISH ON LUMINAIRE.



Forrey 10 Ø26"

- UFOR-20002-48w COB-3749m
- UFOR-20012-50w LED-3275lm



Forrey 11 Ø34.6"

- UFOR-20041-70w COB-7522lm
- UFOR-20051-60w LED-4553lm



Forrey 12 Ø34.6"

- UFOR-20042-70w COB-6603lm
- UFOR-20052-60w LED-4053lm



Forrey 13 Ø12.5"

- UFOR-20021-48w COB-4780lm
- UFOR-20031-50w LED-4556lm



Forrey 14 Ø9.8"

- UFOR-20022-48w COB-371lm
- UFOR-20032-50w LED-3526lm



Forrey 15 Ø12.5"

- UFOR-20061-70w COB-8415lm
- UFOR-20071-60w LED-4553lm



Forrey 16 Ø12.5"

- UFOR-20061-70w COB-8415lm
- UFOR-20071-60w LED-4553lm



Forrey 17 Ø26"

- UFOR-30001-48w COB-4813lm
- UFOR-30011-50w LED-4197lm



Forrey 18 Ø26"

- UFOR-30002-48w COB-3749lm
- UFOR-30012-50w LED-3275lm



Forrey 19 Ø34.6"

- UFOR-30041-70w COB-7522lm
- UFOR-30051-60w LED-4553lm



Forrey 20 Ø34.6"

- UFOR-30042-70w COB-6603lm
- UFOR-30052-60w LED-4053lm



Forrey 21 Ø9.8"

- UFOR-30021-48w COB-4780lm
- UFOR-30031-50w LED-4556lm

# USM-21121-LAT

## Smith Lattice Light Column

DEREK PORTER STUDIO | LIGHTWORKS  
BASILICA OF STE. ANNE  
100% CONSTRUCTION DOCUMENTS

LP4

**LIGMAN**  
LIGHTING USA



66w LED  
1371 Lumens

45w LED  
934 Lumens

IP55  
Suitable for wet locations

IK08  
Impact Resistant [Vandal Resistant]

Weight 75 lbs

### Construction

#### Aluminum

Less than 0.1% copper content – Marine Grade 6060 extruded & LM6 Aluminum High Pressure die casting provides excellent mechanical strength, clean detailed product lines and excellent heat dissipation.

#### Pre paint

8 step degrease and phosphate process that includes deoxidizing and etching as well as a zinc and nickel phosphate process before product painting.

#### Memory Retentive -Silicon Gasket

Provided with special injection molded "fit for purpose" long life high temperature memory retentive silicon gaskets. Maintains the gaskets exact profile and seal over years of use and compression.

#### Thermal management

LM6 Aluminum is used for its excellent mechanical strength and thermal dissipation properties in low and high ambient temperatures. The superior thermal heat sink design by Ligman used in conjunction with the driver, controls thermals below critical temperature range to ensure maximum luminous flux output, as well as providing long LED service life and ensuring less than 10% lumen depreciation at 50,000 hours.

#### Surge Suppression

Standard 10kv surge suppressor provided with all fixtures.

#### BUG Rating

Contact Factory

#### Finishing

All Ligman products go through an extensive finishing process that includes fettling to improve paint adherence.

#### Paint

UV Stabilized 4.9Mil thick powder coat paint and baked at 200 Deg C. This process ensures that Ligman products can withstand harsh environments. Rated for use in natatoriums.

#### Hardware

Provided Hardware is Marine grade 316 Stainless steel.

#### Anti Seize Screw Holes

Tapped holes are infused with a special anti seize compound designed to prevent seizure of threaded connections, due to electrolysis from heat, corrosive atmospheres and moisture.

#### High Impact Acrylic Lens

Manufactured with Ultra High Impact, Naturally UV Stabilized Injection Molded Acrylic.

#### Optics & LED

Precise optic design provides exceptional light control and precise distribution of light. LED CRI > 80

#### Lumen - Maintenance Life

L80 /B10 at 50,000 hours (This means that at least 90% of the LED still achieve 80% of their original flux)

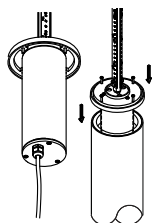
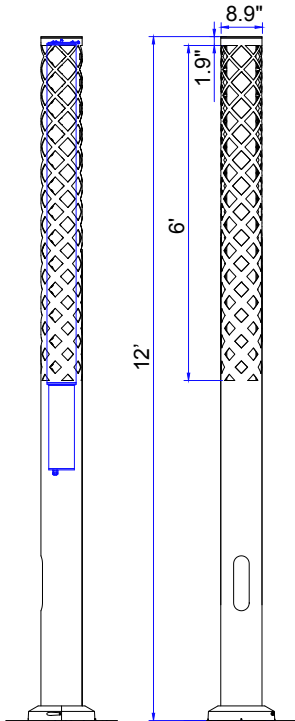
**Straight and clean round column.**  
**Smooth lines complimented with a smooth lighting effect from the opal vertical diffuser.**

Smith is an elegant sturdy light column that is suitable for both modern and classic architecture. Ideal for creating visual guidance with exceptional visual comfort. A sleek and minimalist shape provides distinctive lighting effects by night and decorative urban effect during the day. Suitable for pedestrian precincts, building surrounds, shopping centers, squares and parks. The luminaire is provided with a ultra high impact UV stabilized acrylic lens that provides excellent low glare vertical and illumination.

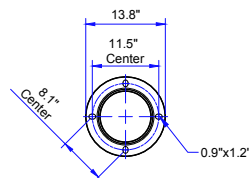
The Smith Column comes standard with a unique waterproof internal driver housing compartment that is situated at the top of the pole to stop water and dust from entering the electrical components. This fixture is supplied completely wired with powercord and waterproof gland from the driver enclosure to the handhole to ensure quick trouble-free installation. Custom pole heights are available, please specify

The flush mounted curve profile handhole cover is gasketed and is supplied with a specially designed camlock vandal resistant securing mechanism. The high pressure die-cast aluminum base with small side reveal to hide the stainless steel vandal resistant screws, provide a rugged yet aesthetic finish to the base of the luminaire. Fixture is provided with anchor bolts and laser cut steel anchor bolt template. Color temperature 2700K, 3000K, 3500K and 4000K.

Custom wattages can be provided to suit customer requirements. (Specify total watts per fixture)  
This product is provided complete with anchor bolts and laser cut steel bolt template.



Standard Internal Waterproof Driver Housing



Mounting Detail



RGBW  
RGBW Column

# USM-21121-LAT

## Smith Lattice Light Column

DEREK PORTER STUDIO | LIGHTWORKS  
 BASILICA OF STE. ANNE  
 100% CONSTRUCTION DOCUMENTS

**LP4**

**LIGMAN**  
 LIGHTING USA

<b>PROJECT</b>		<b>DATE</b>	
----------------	--	-------------	--

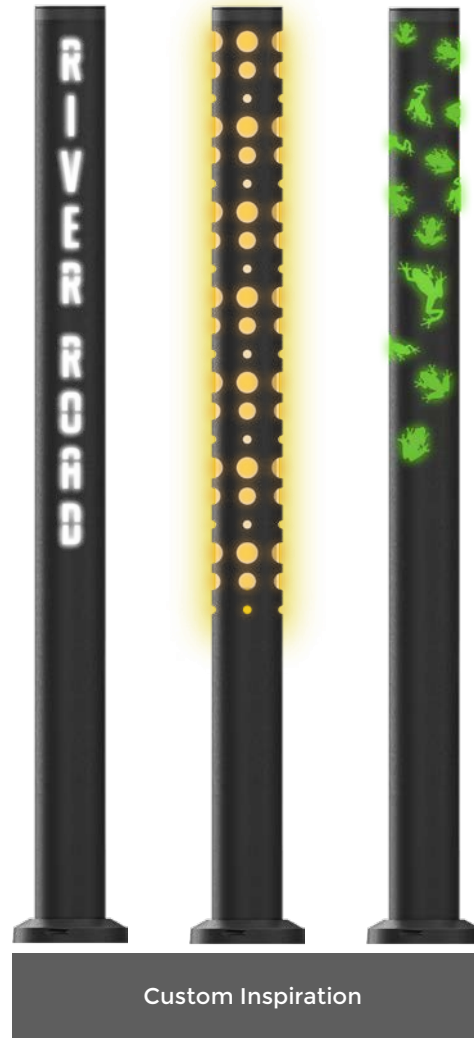
<b>QUANTITY</b>		<b>TYPE</b>		<b>NOTE</b>	
-----------------	--	-------------	--	-------------	--

**ORDERING EXAMPLE || USM - 21121-LAT - 45w - W30 - 02 - 120/277v - Options**

<b>USM-21121-LAT</b>				
<b>LAMP</b>	<b>LED COLOR</b>	<b>FINISH COLOR</b>	<b>VOLTAGE</b>	
66w LED 1371 Lumens	W27 - 2700K W30 - 3000K W35 - 3500K W40 - 4000K	01 - BLACK RAL 9011 02 - DARK GREY RAL 7043 03 - WHITE RAL 9003 04 - METALLIC SILVER RAL 9006 05 - MATTE SILVER RAL 9006 06 - LIGMAN BRONZE 07 - CUSTOM RAL	120/277v Other - Specify	

<b>ADDITIONAL OPTIONS</b>		

- NAT - Natatorium Rated
- DIM - 0-10v Dimming
- RGBW - RGBW Column
- GFCI - GFCI Box
- HGT - Custom Height (Specify)
- 12' OVERALL COLUMN HEIGHT. FINAL DIAMETER AND PROPORTIONS OF THE LENS AREA TBD.
- CUSTOM LATTICE DESIGN TO REFLECT LITURGICAL THEME. PATTERN DESIGN TO BE DEVELOPED BY LIGHTING DESIGNER AND COORDINATED WITH MANUFACTURER.



# Smith Product Family



Smith 1

- USM-10693-33w-1644lm
- USM-10693-18w-760lm



Smith 2

- USM-21121-66w-3340lm [6.3"]



Smith 3

- USM-21031-58w-5172lm [8.8"]



Smith 5

- USM-10701-38w-4234lm



Smith 5

- USM-21141-76w-8468lm

Project Name: ..... Location: .....

Specifier: ..... Rep Agency: .....

Fixture Type: ..... Product Code: .....

# KLIK LEDpod™ XL32F Patented

## DESCRIPTION

Discrete, easy to install, LED downlight for use in hollow metal structures such as guardrails, awnings, canopies, trellises and bus shelters. Available in both asymmetric and symmetric options with multiple lens options.

**Note** – Consult factory for guidance on handrail sizing; not intended for standard IBC handrail.

## HOUSING

IP65, IK08, clear anodized aluminum body. Color match anodized as an option to color match the material into which the downlight can be installed.

Aluminum housing has a marine grade hard-anodized 25-micron finish, thus preventing galvanic corrosion.

## MOUNTING

Unique concealed internal mounting wings hold the fixture in place, the wings are deployed via patented anti-tamper screws through unobtrusive screw holes in the bezel.

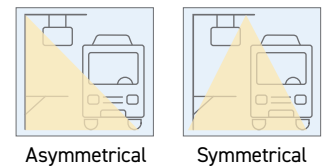
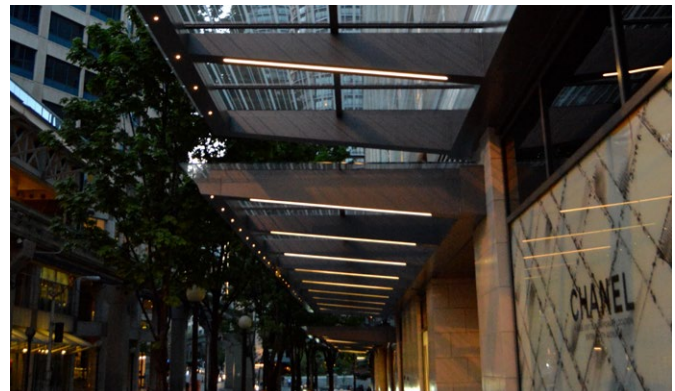
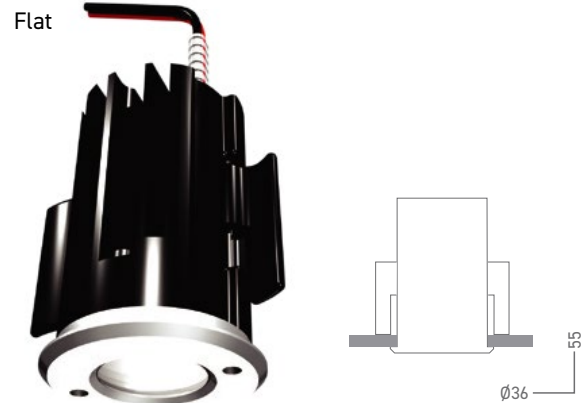
- RHS Minimum internal clearance 2.55" [65mm] height, Max. wall 0.236" [6mm]
- Cut Out: Ø1.26" [32mm]
- Can be customized to suit a thicker wall

## ELECTRICAL/LED DRIVER

- Input Voltage: 24 VDC
- Primary Driver: KLIK provided Class II, 110 - 277 VAC UL Listed Constant Voltage
- Secondary Driver: 350 - 700mA Constant Current (provided with fixture)
- Control: 0-10V, DALI, DMX [not individually addressable]
- Enclosures: [see details below]
- Wire connectors provided; factory pre-wire available, consult factory

## LISTINGS

- ETL listed, UL 1598/CSA 22.2; CE
- cETL
- IP65 [wet location]
- All IP rated luminaires tested to AS60529-2004 Degrees of protection provided by enclosures (IP Code)
- IK08 or IK10 Impact Resistant
- Class 2 Device
- International Dark Sky Certified [Color temperature must be Amber or <3000K]



**ETL listed**  
UL 1598/CSA 22.2; CE



**LED Operating Temp:**  
-40°F – 160°F



**Weatherproof Rating:**  
IP65  
Wet location rated



**3G Vibration**  
per MIL-STD-810G



**Impact resistance:**  
IK08



**Wildlife friendly**



**International Dark Sky Association Certified** Amber ≤ 3000K

\* All IP rated luminaires tested to AS60529-2004 Degrees of protection provided by enclosures (IP Code)

# KLIK LEDpod™ XL32F Patented

CONTRACTOR SHALL SUPPLY AND INSTALL ALL COMPONENTS TO COMPRISE A COMPLETE AND OPERATIONAL SYSTEM AS PER CONTRACT DOCUMENTS AND MANUFACTURER'S REQUIREMENTS.

REMOTE MOUNTED DRIVER(S). CONTRACTOR SHALL DETERMINE DRIVER CAPACITY AND QTY OF DRIVERS FOR LIGHTING LAYOUT AND CONNECTED LOAD. COORDINATE WITH ARCHITECT. MOUNTING LOCATION AND ACCESS TO DRIVERS.

## SPECIFICATION TABLE

Follow the steps to specify your fixture. Enter Product Code in field at top of page. Example: XL32F0030K500SFLDOTK

Fixture Type	Color Temp [K]	Output [W]	Distribution	Optic	Lens Options	Bezel Color Options <sup>1</sup>	Custom Wall <sup>1</sup>	Control
XL32F00	27K 2700K	175 175mA 2.9W	A Asymmetric*	NSP Narrow Spot	CLR Clear lens [Std]	- Marine grade anodized [Std]	0.25 For 1/4" Wall	- 0-10V Dim
	30K 3000K	250 250mA 3.2W	S Symmetric	SPT Spot	FRS Opaque frost	DUL Dulux Colors - Request Guide		DMX1 DMX 1 Ch
	35K 3500K	350 350mA 4.3W		NFL Narrow Flood	OTK Optical filter	SPC Standard Powdercoat		DMX4 DMX 4 Ch
	40K 4000K	500 500mA 6.0W		FLD Flood	SHR Diode Shroud - Horizontal Mount	BRS Antique Brass		PH Phase Dim
	AMB FWC Amber			SPR 20° x 60° Spread		BLK Black Anodized		
	PCA Phos-converted Amber					BZ Bronze		
	R Red					ANT Dark Antique		
	G Green					GLD Rose Gold		
	B Blue							
	RGB3 RGBW 3K <sup>1,2</sup>							
RGB4 RGBW 4K <sup>1,2</sup>								

<sup>1</sup>Additional charges and lead time apply for this feature <sup>2</sup> RGBW limited to 4 channels at 175mA [2.5 Watt TOTAL]

## LEDPOD XL32 SYMMETRIC MODELS

Beam Angle	NSP narrow spot 10° +/-2°	SP spot 20° +/-2°	NFL narrow flood 31° +/-3°	FLD flood 41° +/- 5°	SPR spreader 20x60°
LOR defined by optics	90	89	86	85	87
Im	W	mA	System Lumens @4000K		
179	2.9	175	161	159	155
243	3.2	250	219	216	211
320	4.3	350	288	284	278
422	6.0	500	380	375	376

## LEDPOD XL32 ASYMMETRIC MODELS

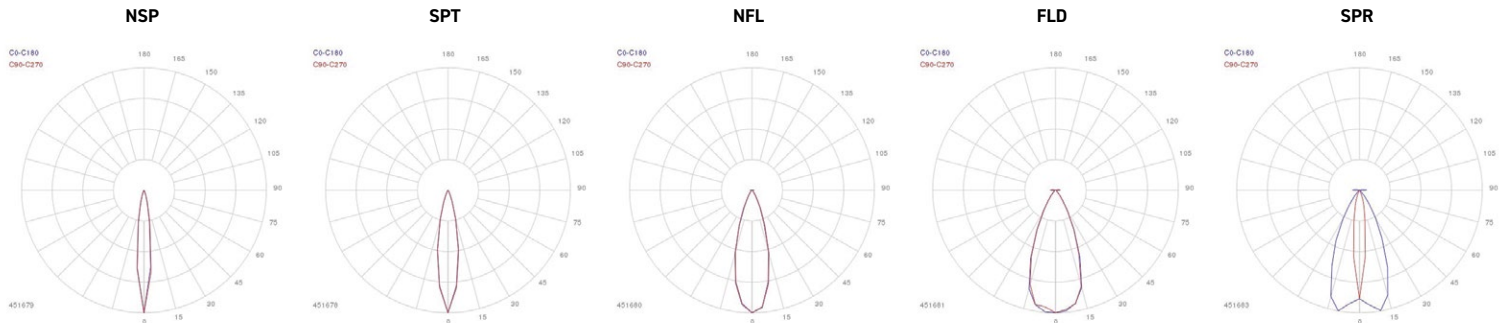
Optics	Reflector		
Beam Angle	Asymmetric		
LOR defined by optics	80%		
Im	W	mA	System Lumens @4000K
432	4.3	350	345

## LED PERFORMANCE

LED: Cree XT-E  
CCT: 2700, 3000, 4000 (others available)

CRI: 80-85  
Life: 80% at 50k hrs and 85° C

Binning: 3 MacAdam Steps  
Warranty: 5 Year Warranty



# KLIK LEDpod™ XL32F Patented

## REMOTE MOUNTING DISTANCE CHART

24 VDC 100W Driver	Approx. distance to first LED at 500mA with 10 fixtures on circuit			
Wire Size	10 AWG	12 AWG	14 AWG	16 AWG
Distance	525'	280'	170'	105'

Consult factory for conditions outside this guidance.

## PRIMARY DRIVER

110 - 277 Primary Voltage Remotely Mounted Dimming Control 10" x 1.5" x 2"	Secondary LED Driver	Spacing	Maximum KLIK LEDpods™*
	500mA	8'	18
	350mA	8'	18
	250mA	8'	24
	175mA	8'	32

\*Based on 16 AWG between LEDpods

## REMOTE POWER SUPPLIES [PSUs]

LP040WPRITRNDIMIP	Class 2; 40W; 0-10 Dim Constant Voltage Remote PSU [IP67 (Temp Submersion) Rated; -40°C ~ +85°C]
LP096WPRITRNDIM	Class 2; 96W; 0-10 Dim Constant Voltage Remote PSU [IP67 (Temp Submersion) Rated; -40°C ~ +80°C]
LP100WPRITRNDIM	Class 2; 96W; 0-10 Dim Constant Voltage Remote PSU [IP64 (Damp Location) Rated; -25°C ~ +40°C]
LPQZ96WUNV24VPH010	Class 2; 96W; Phase or 0-10 Dim Constant Voltage Remote PSU [IP66 (Wet Location) Rated; -40°C ~ +60°C]
LPQZ96WUNV24VDMX1CH	Class 2; 96W; 8-Bit DMX Dim Constant Voltage Remote PSU [IP66 (Wet Location) Rated; -40°C ~ +60°C]
LPQZ96WUNV24VDMX4CH	Class 2; 96W; 8-Bit DMX Dim Constant Voltage Remote PSU [IP66 (Wet Location) Rated; -40°C ~ +60°C]

## REMOTE NEMA ENCLOSURES

LPNEMA2RENCL	NEMA2 INDOOR enclosure for LP100WPRITRNDIM, 12 x 3.3 x 2
LPNEMA3RENCLJR	NEMA3R Drip Proof Enclosure, 4 x 4 x 12 [IP24 Equivalent]
LPNEMA3RXENCLSS	NEMA3 304 Lockable Stainless Steel Drip Proof Enclosure 4 x 4 x 12 [IP24 Equivalent]
LPNEMA4ENCLJR	NEMA4 Watertight Enclosure, 6 x 4 x 12 [IP66 Equivalent]; NEMA4X
LPNEMA4XENCLSSJR	NEMA4 304 Lockable Stainless Steel Watertight Enclosure 6 x 4 x 12 [IP66 Equivalent] NEMA4X
LPNEMA6PTRO	NEMA6 Watertight Enclosure Wiring Trough, 2 x 3 x 14 [IP68 Equivalent]

Additional driver & enclosure configurations available, including IP68 options  
Please note the KLIK UL Listing requires purchase of a remote driver and enclosure.

# KLIK LEDpod™ XL32F Patented FOOTCANDLE CHART

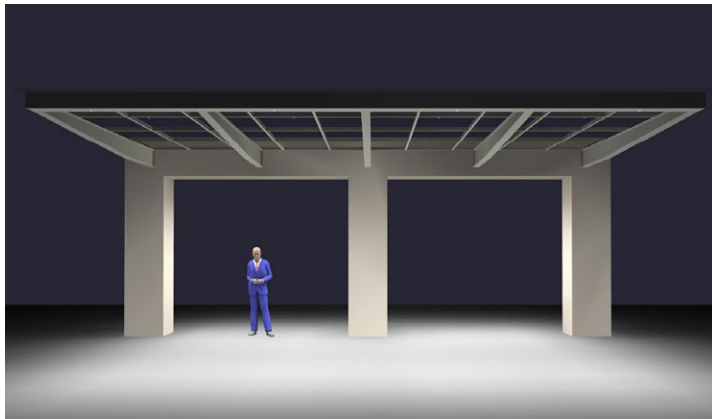
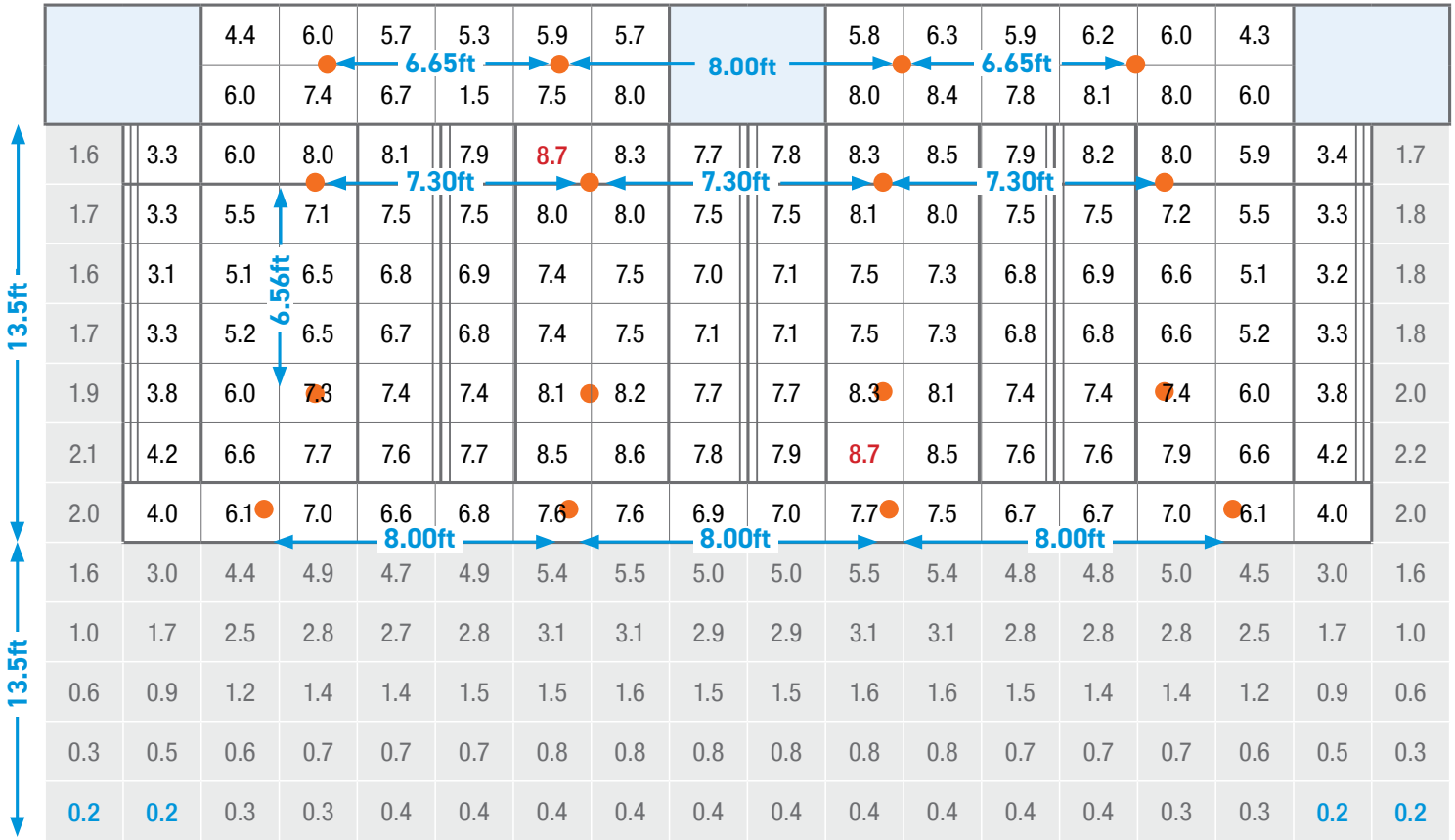
## Luminaire Schedule

Symbol	Qty	Label	Arrangement	Luminaire Lumens	LLF	Description	Filename
●	16	A	Single	368	0.900	LPODXL32F-Dir-FL-W-SymRef-500	LPODXL32F-Dir-FL-W-SymRef-500mA LPODXL32-0.018m-451826-A.ies

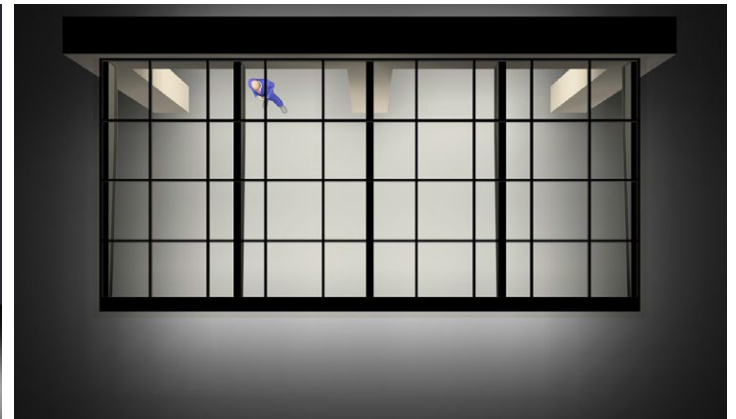
MH = Mounting Height [ft]

## Calculation Summary

Label	CalcType	Units	Avg	Max	Min	Avg/Min	Max/Min	Description
CANOPY AREA	Illuminance	Fc	4.60	8.7	0.2	23.00	43.50	readings taken at grade



Front Perspective



Top Perspective

# KLIK LEDpod™ XL32F Patented FOOTCANDLE CHART

## Luminaire Schedule

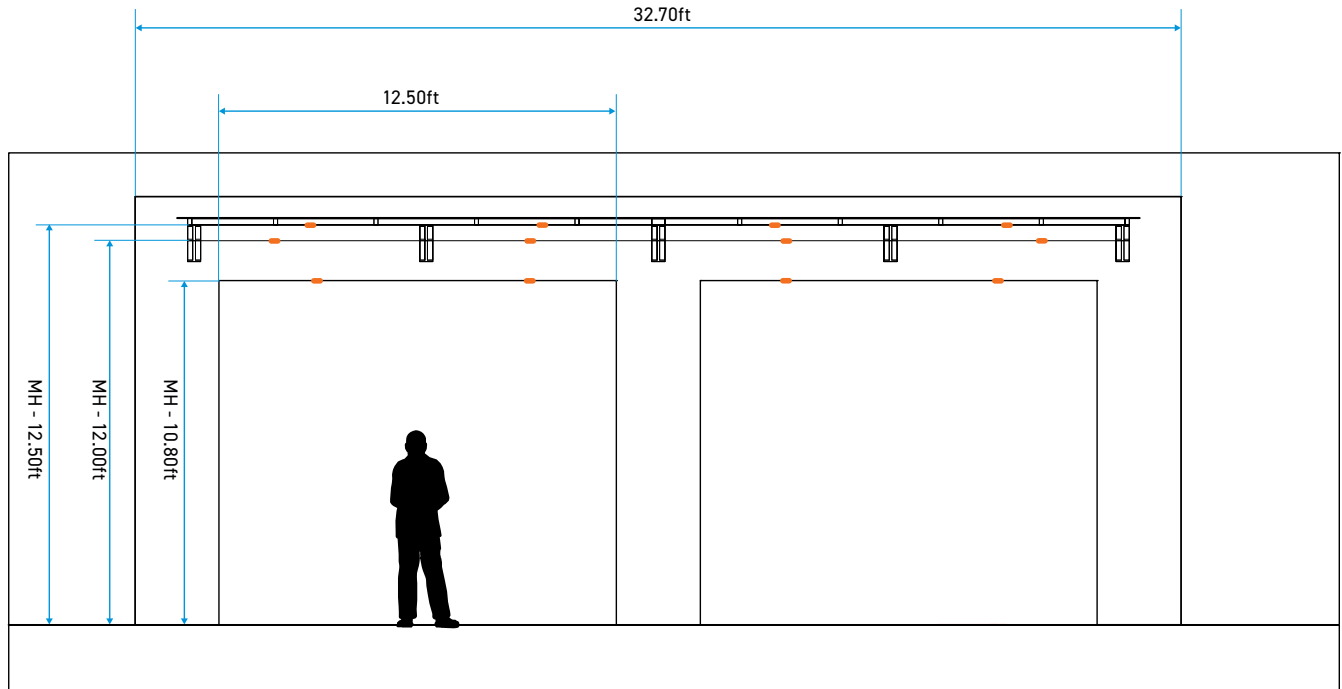
Symbol	Qty	Label	Arrangement	Luminaire Lumens	LLF	Description	Filename
●	16	A	Single	368	0.900	LPODXL32F-Dir-FL-W-SymRef-500	LPODXL32F-Dir-FL-W-SymRef-500mA LPODXL32-0.018m-451826-A.ies

MH = Mounting Height [ft]

## Calculation Summary

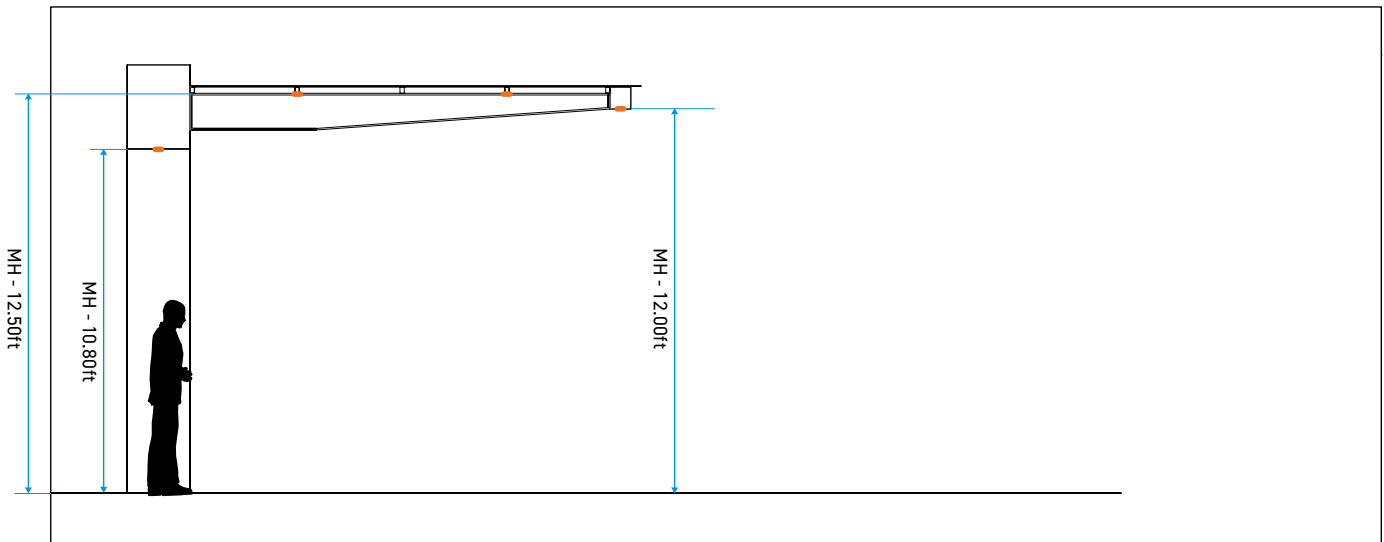
Label	CalcType	Units	Avg	Max	Min	Avg/Min	Max/Min	Description
CANOPY AREA	Illuminance	Fc	4.60	8.7	0.2	23.00	43.50	readings taken at grade

## MOUNTING HEIGHT FRONT VIEW



Mounting Height - MH

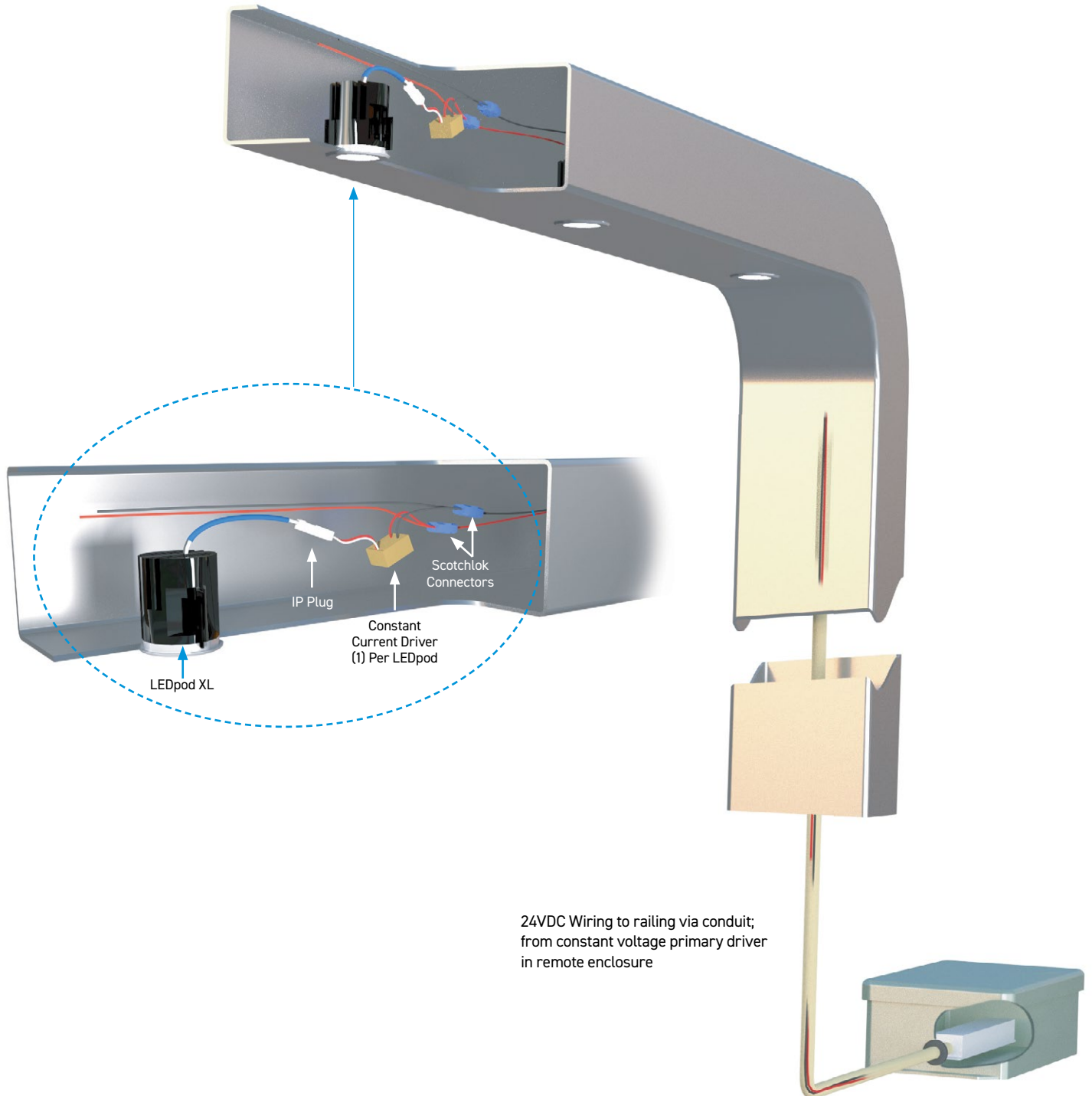
## MOUNTING HEIGHT SIDE VIEW



Mounting Height - MH

# KLIK LEDpod™ XL32F Patented

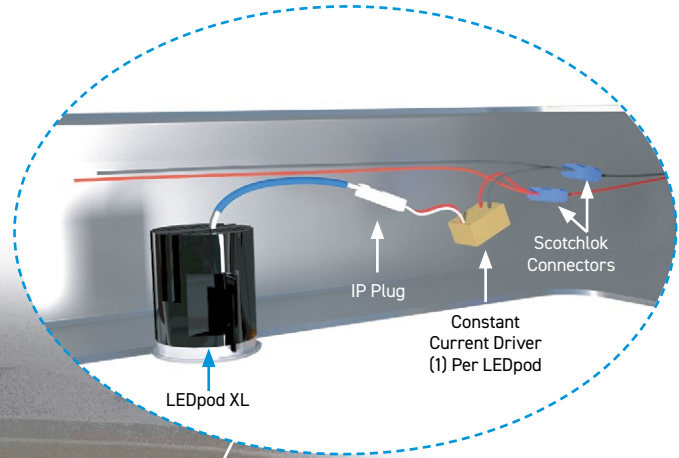
## WIRING DIAGRAM Through Metal Structure



24VDC Wiring to railing via conduit;  
from constant voltage primary driver  
in remote enclosure

# KLIK LEDpod™ XL32F Patented

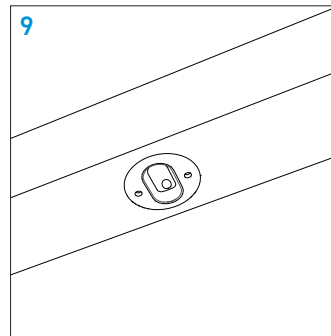
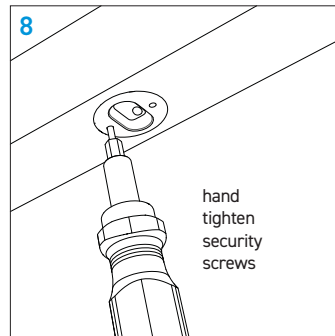
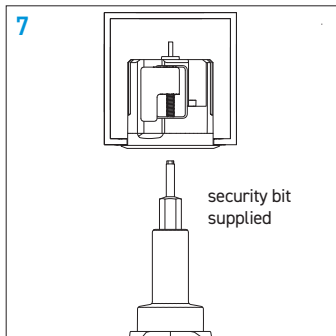
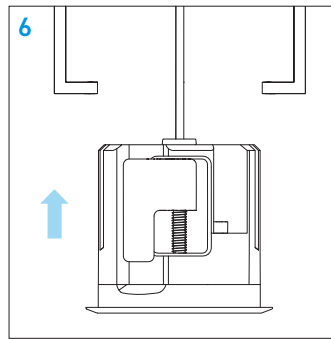
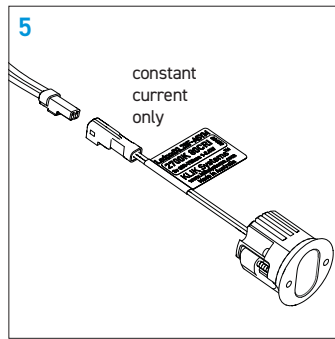
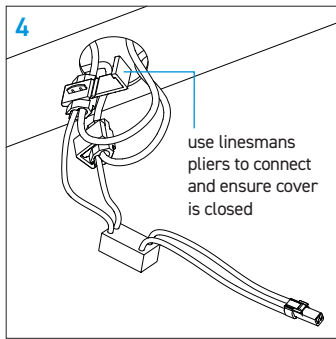
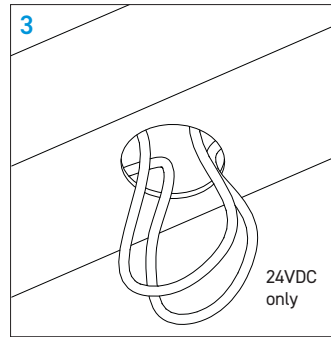
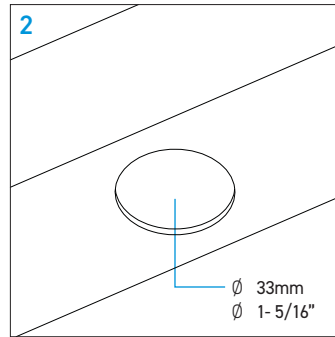
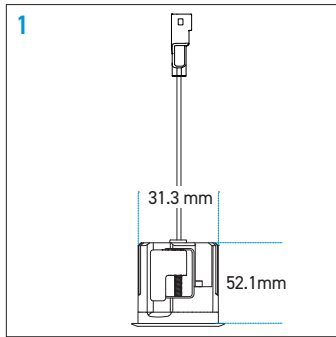
## WIRING DIAGRAM Through Building



24VDC Wiring to railing via conduit; from constant voltage primary driver in remote enclosure

# KLIK LEDpod™ XL32F Patented

## INSTALLATION INSTRUCTIONS Additional instructions may apply, consult factory.



### WARNING

- Risk of fire or electric shock.
- Disconnect all power before installing or servicing.
- Installation Instruction for qualified electricians only.
- Install per National Electrical Code and local regulations.
- Read Installation Instructions completely before installation.
- Failure to follow Installation Instructions may void warranties.

To reduce risk of electric shock turn off the electrical supply before installing or servicing the light fixtures and driver. Failure to do so may result in serious injury and/or damage to the components.

This product must be installed in accordance with the applicable installation code by a person familiar with the construction and operation of the product and the hazards involved.

The light source contained in this luminaire shall only be replaced by the manufacturer or the service agent or a similar qualified person.