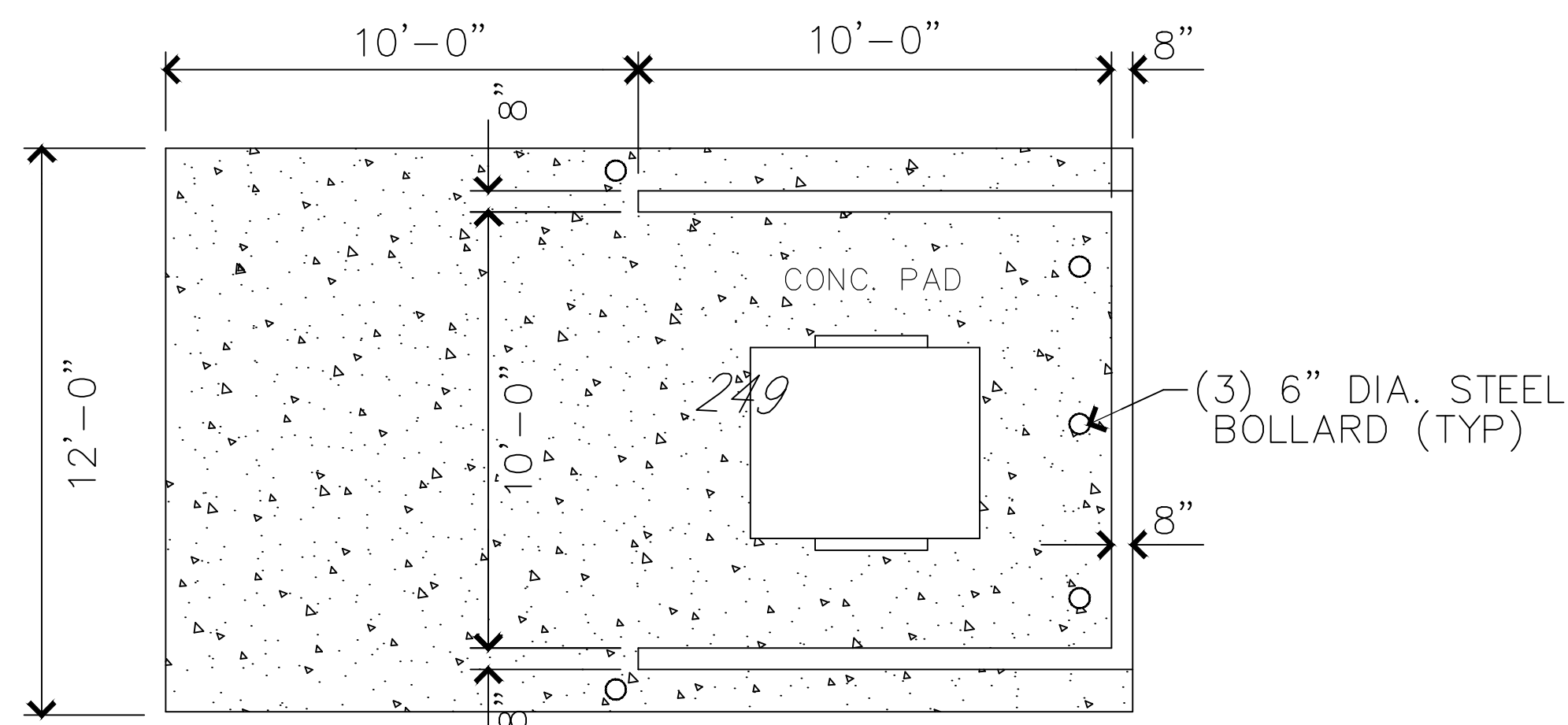
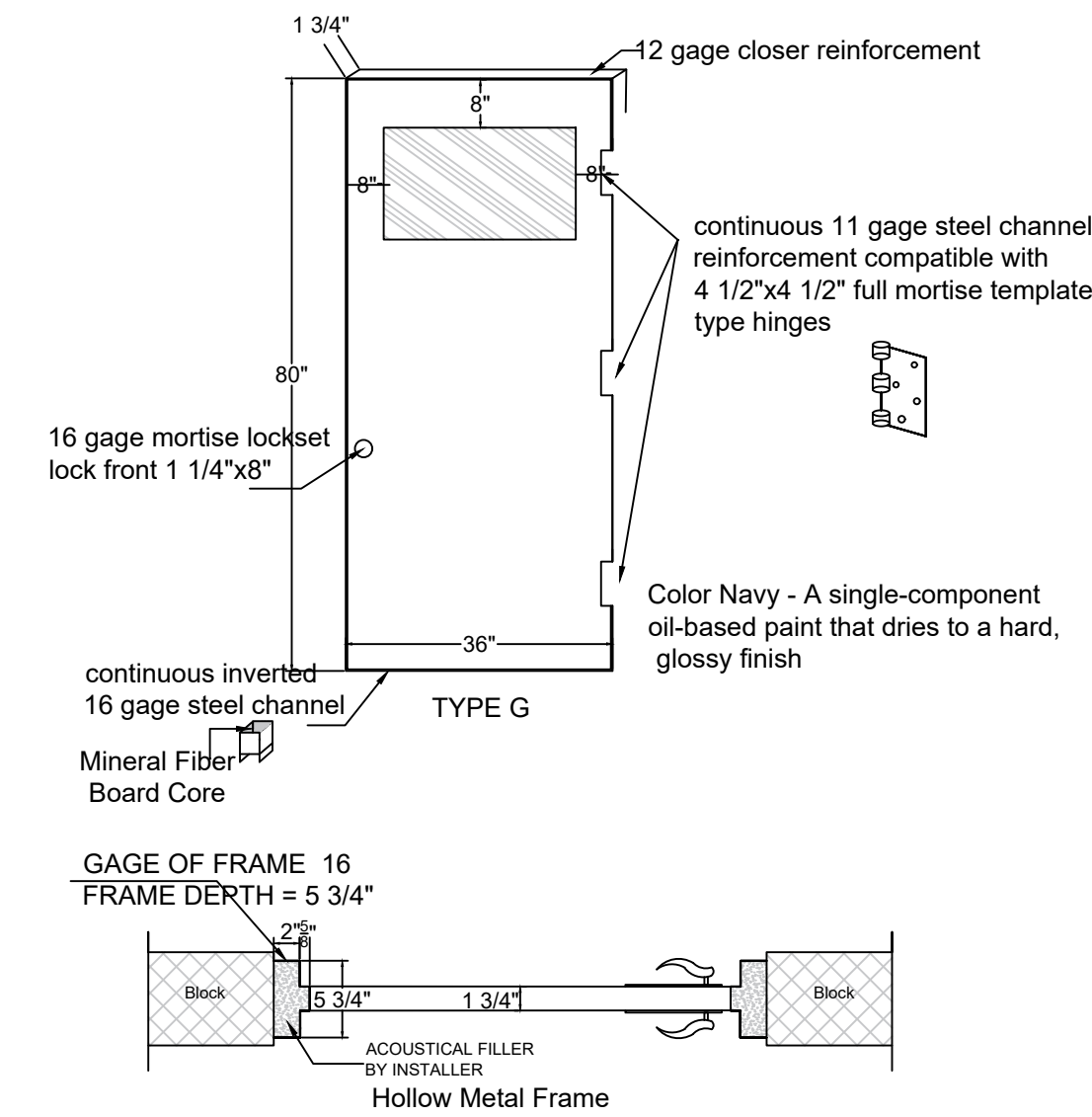


DUMPSTER ENCLOSURE DETAIL

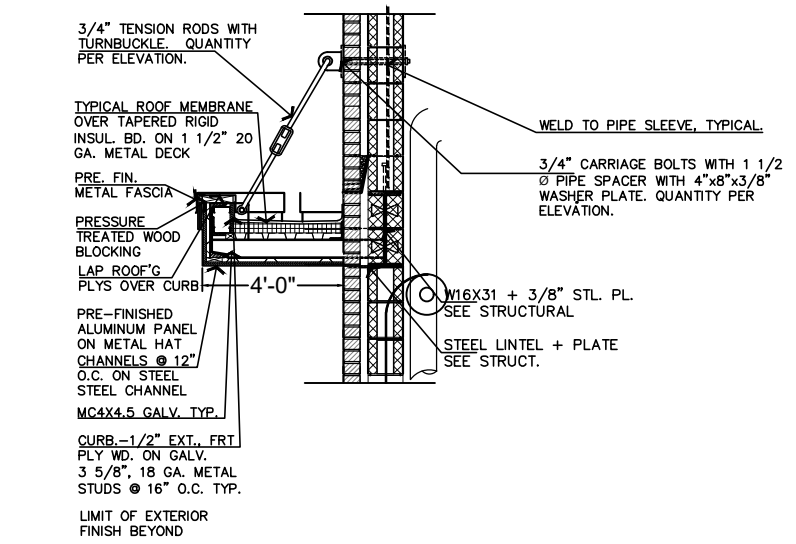
SCALE: NONE



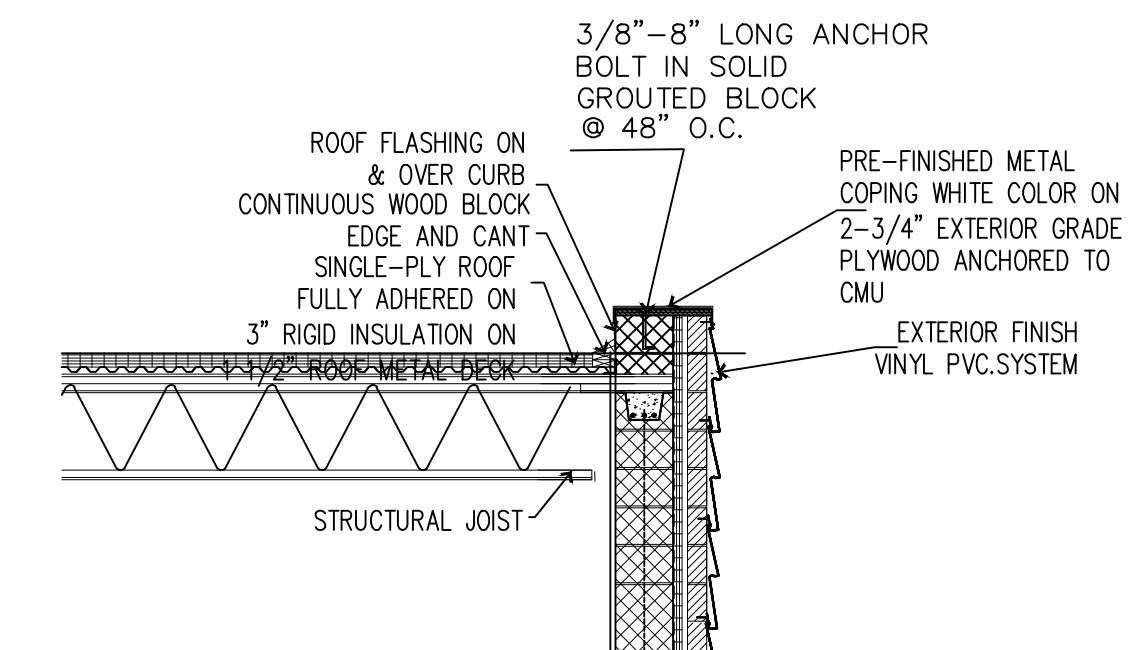
Hollow Metal Door



The awning Section



The Galvanized Metal Coping

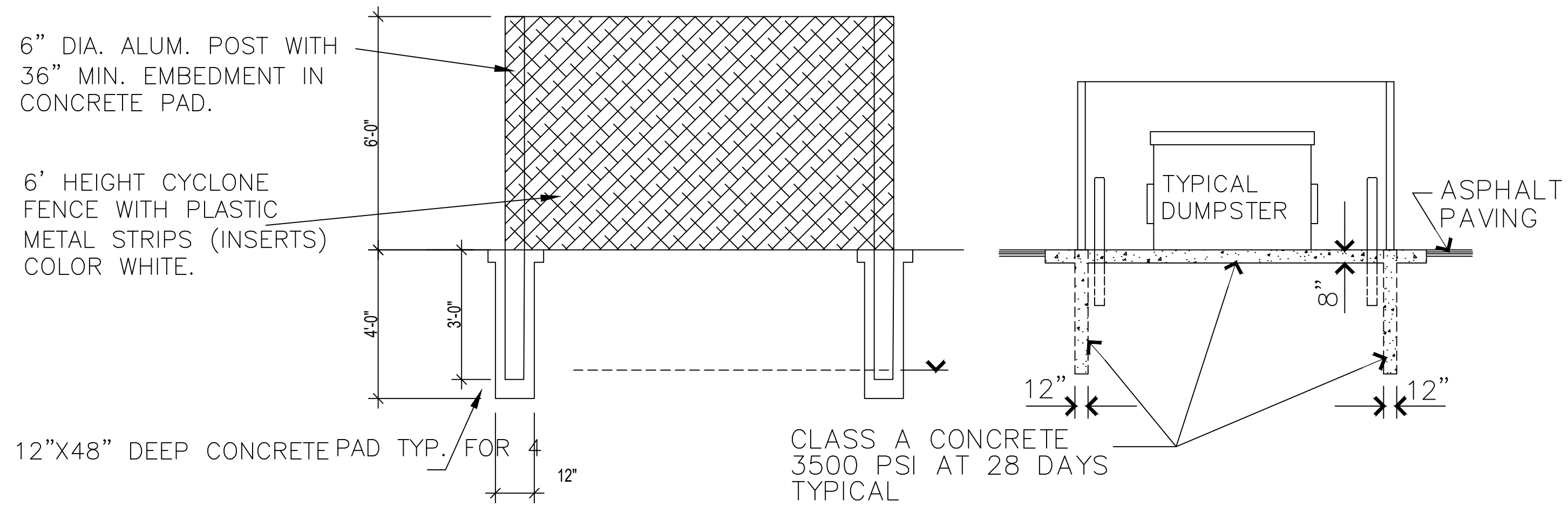


Continuous Cleat Coping is a continuous perimeter roof edge system designed to cap parapet walls.

Continuous Cleat Coping has a continuous 22 gauge metallic coated steel cleat at the face, and covers that are brake formed 24, 22gauge metallic coated steel.

Sizes and Profiles:
Continuous Cleat Coping has a flat face and top with a 0.75" slope from front to back. Standard sizes are: 4" - 5.5" face, 4" - 24" wall, and 3" - 4.5" back. Standard straight sections are 12'-0" long, and standard miters have legs 1'-0" longer than the wall width.

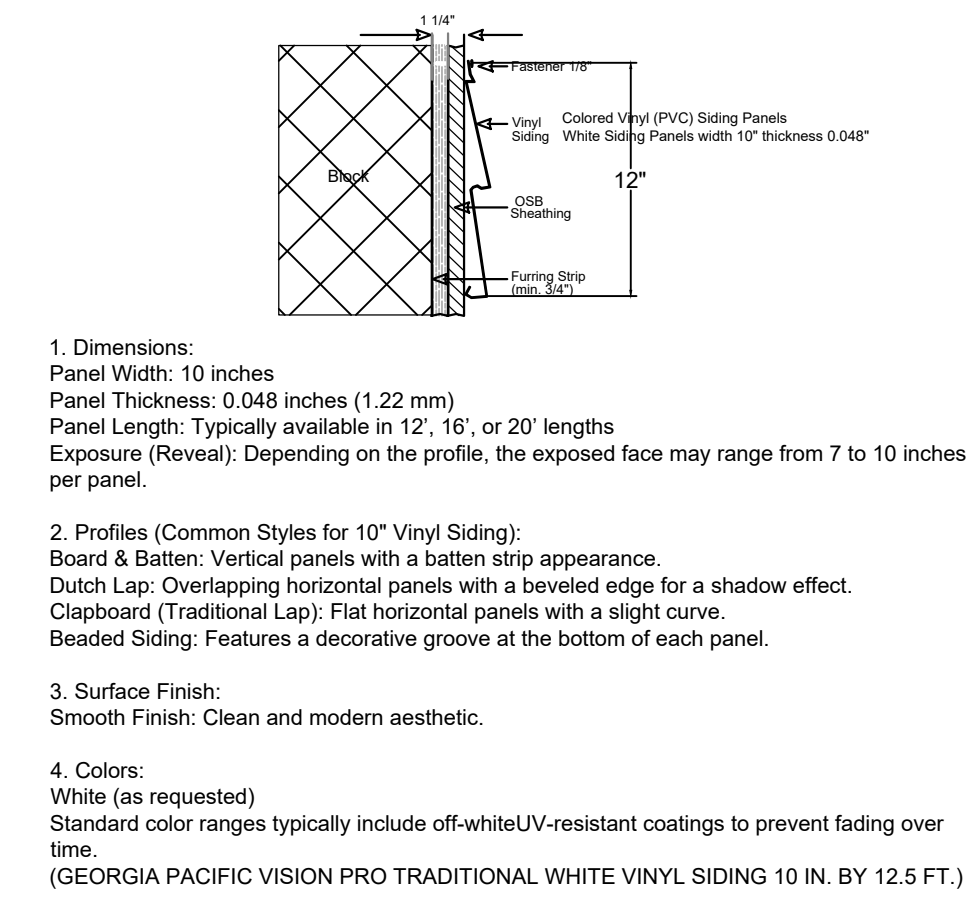
NO SIGN "CAR WASH " REQUIRED



DUMPSTER ENCLOSURE DETAIL

SCALE: NONE

Vinyl Siding Over Masonry Block



PROJECT:

Renovation
Car Wash

LOCATION:

14615 Jefferson Avenue
Detroit , Michigan

**A & M
CONSULTANTS**

835 MASON,STE. B290
DEARBORN, MI-48124
PH:(313) 582-0022
FAX:(313) 582-0028

DRAWN BY:
Ahmad Habli

APPROVED BY:
ADNAN AL-SAATI

SUBMITTALS

REVISIONS:
03/25/2025

PROJECT NO
25-102

DATE
02/05/2025

SCALE
NOTED

SHEET TITLE
DETAILS REQUIREMENTS

A-16

SEAL