

Specifications Per Sign Face				
Cabinet Height	Cabinet Width	Cabinet Depth	Pixels	LEDs
19.29"	101.6"	2.75"	1,536	3,072
Weight	Watts	Amps	Colors	Brightness
41 lbs.	115	1.2	256 Shades of R,G,Y	4,000 NITS
Voltage	Warranty	Programming Type	Character Height 1 Line	Character Height 2 Line
110 V	3 Years	Wireless Keyboard	16.5"	8.25"

## Our LED Signs Attract Customers and Increase Sales

**Lowest Prices** - We sell thousands of signs to thousands of organizations. We're also a major supplier to hundreds of sign stores and Internet resellers across the USA and Canada. Thanks to our massive sales volume, we're able to offer the lowest prices on top quality LED signs. Sign stores and other Internet sites sell our signs for almost double our prices. You'll save a lot of money when you order a sign directly from us and have your handyman install it. We do not charge sales tax for customers outside of California and we ship for free. So, the low prices that are shown on this website are the total prices.

**Free Shipping in USA** - We are a proud American company. Our corporate offices, showroom, manufacturing and shipping facilities are located in Los Angeles. We ship for free to anywhere in the United States. All our multicolor signs have all of the features listed above. They are all in stock. We pack and ship your order within 1 to 2 business days. We ship large signs in crates for free. It only takes a few minutes to place an order over the phone. Just call 313-405-9735.

**The Industry Leader** - We ship LED signs to every type of business and all kinds of government locations. No other company can match our experience and expertise. Our team of experts take all orders over the phone so we can make sure our customers are very satisfied and get exactly what they need.

**Best Customer Service** - Call us at 313-405-9735 or email us at [info@jtpro.com](mailto:info@jtpro.com). Our experts can answer your questions and help you with anything you need. We have free lifetime telephone technical support. We can even show you how to program your sign with your wireless remote keyboard. We want to help you improve your business. We take care of our customers.

# MULTICOLOR SCROLLING LED SIGN

## Easy to Program

All our multicolor signs come with our exclusive wireless remote-control qwerty keyboard. It is bigger, better and more advanced than other LED sign remote controls. It is very easy to operate. You can write and store hundreds of different rotating messages from up to 200 feet away. You can choose from hundreds of built-in moving animated images. Change the scroll speed faster, slower, still, changing or flashing. They can scroll left, right, up, or down. The sign has all the software built-in and you use the wireless remote-control keyboard to program it. There is no need for a computer or the Internet.

## Multicolor and Customizable

Our LED signs have many stored images and font styles to choose from. All our multicolor signs have 256 shades and gradients of red, green and yellow. They display 1- and 2-line messages. They can display up to 4 lines at a time on 36" high sizes. They can be displayed vertically and horizontally. They have date and time functions. They have a wide assortment of animated backgrounds including the American flag. There are built-in special effects with many variations. They include multiple 3D effects, scroll, reverse, pause, dividing, erasing, neon borders, rotating, flashing, adjustable width, animation, enlarge, reduce, by color, pattern, laser and more.

## Top Quality and Weatherproof

We are constantly improving the quality and performance of our products. All sizes are completely weatherproof for outdoor and indoor advertising. They are very durable, lightweight and only 3 inches thick. The frame is only 1 inch wide, which makes almost the entire sign a lighted display. The extruded aluminum frame keeps the weight low. The polycarbonate grill adds strength and heat resistance. The aluminum sliding back panel resists cracks and rust. The IP 65 rated silicone coating protects it from moisture.

## Super Bright and Clear

Our LED signs attract customers to any type of business. Each sign contains thousands of LED lights. All sizes have extremely bright moving messages, images and effects. They're around 10 times brighter than modern day flat screen televisions. They have 10 levels of adjustable brightness. They can be seen from a much greater distance than conventional signs. They're sharp and clear from up close and very far away.

## Brand New Technology

All our multicolor signs are the newest generation and state-of-the-art. Our signs are better, brighter and have more features than other LED signs. They have low energy consumption which saves up to 90% in energy costs. Advertise 24 hours a day with minimal power usage. They only use as much power as 1 or 2 normal light bulbs. They're completely silent. We use high performance LED modules and the highest-grade Meanwell power supply. They are easily programmed with the included wireless remote-control qwerty keyboard. We can build you a custom sign if you have particular requirements that you do not see on this website. Just call 313-405-9735

## USA and Canada Certifications

All our multicolor signs are Made in the USA with domestic and foreign parts. Our LED signs are built to a much higher standard than other LED signs. They're Met lab Certified, FCC Compliant, UL Compliant and CSA Compliant. They come with a proof of certification label with a corresponding serial number which helps to verify that your sign is safe and meets local requirements. They are completely weatherproof with a sliding back panel that enables you to look inside. They have new advanced features. They are superior to other LED signs available on the Internet.

## Free 3 Year Warranty

Our signs are built to last. If you leave them on 24 hours a day 7 days a week, they'll work great for at least 11 years maintenance free. We have the best warranty in the industry. It covers all parts and factory labor. We have free lifetime telephone technical and programming support. All our multicolor signs are built in Michigan with strict quality control and top-quality craftsmanship. They are inspected and completely tested before delivery to our customers.

## Easy to Install

Our LED signs come ready to go with everything you need. All our multicolor signs are lightweight, weatherproof and already assembled. They come with an instruction manual, brackets and a wireless remote-control keyboard. You can attach the brackets to anywhere on the top or the bottom of the sign. You can hang it yourself or use a handyman. Just plug it in a regular 110-volt electric outlet. They're simple to operate. Order 2 LED signs to display on both sides of a pole or a monument.

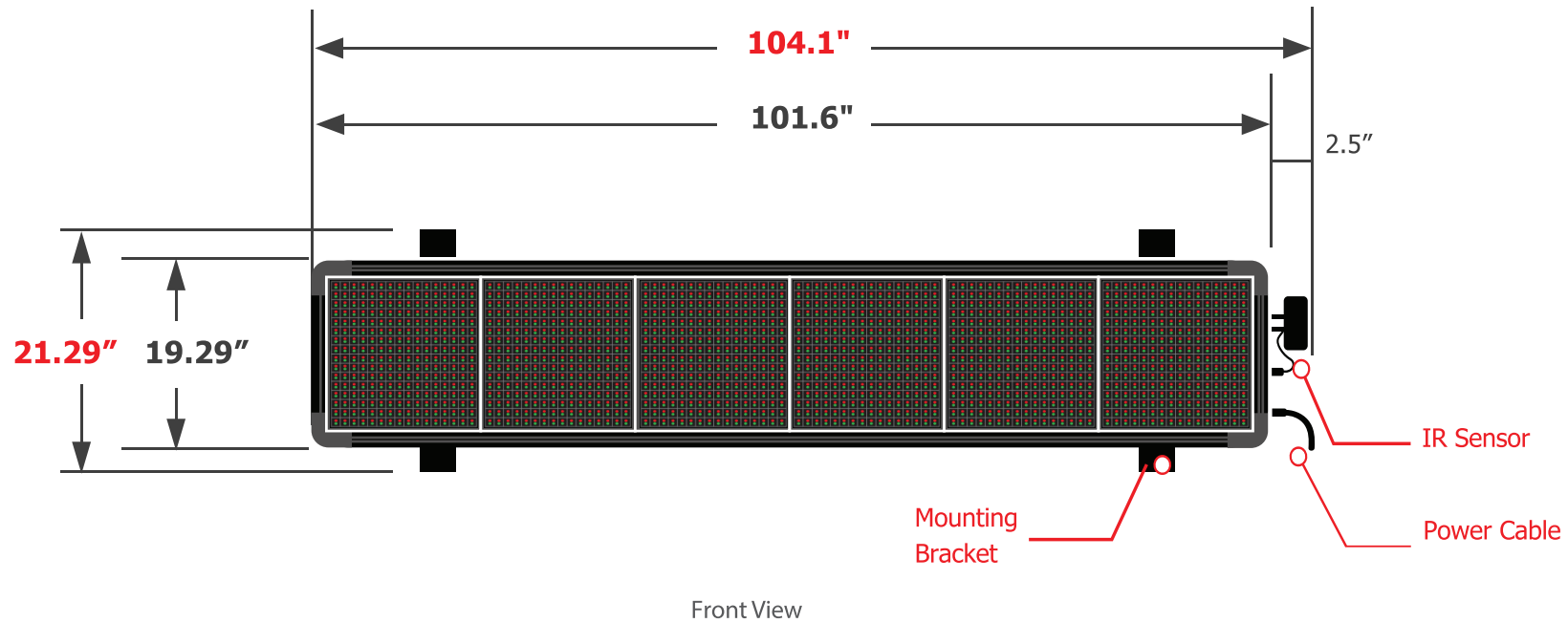
If you have any questions or would like to place an order,

Call us: 313-405-9735 Email: [info@jtpro.com](mailto:info@jtpro.com)

**THANK YOU FOR YOUR BUSINESS!**

# Multi Color Scrolling LED Sign (Red / Green / Yellow)

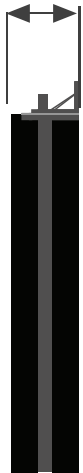
Frame Size	Weight	Pixel Matrix
102" x 20"	41 lbs.	16 x 69



## <Bracket Detail>

1 - 3/16" (Height)  
1 - 3/8" (Width)

2.75"



specifications per sign face chart