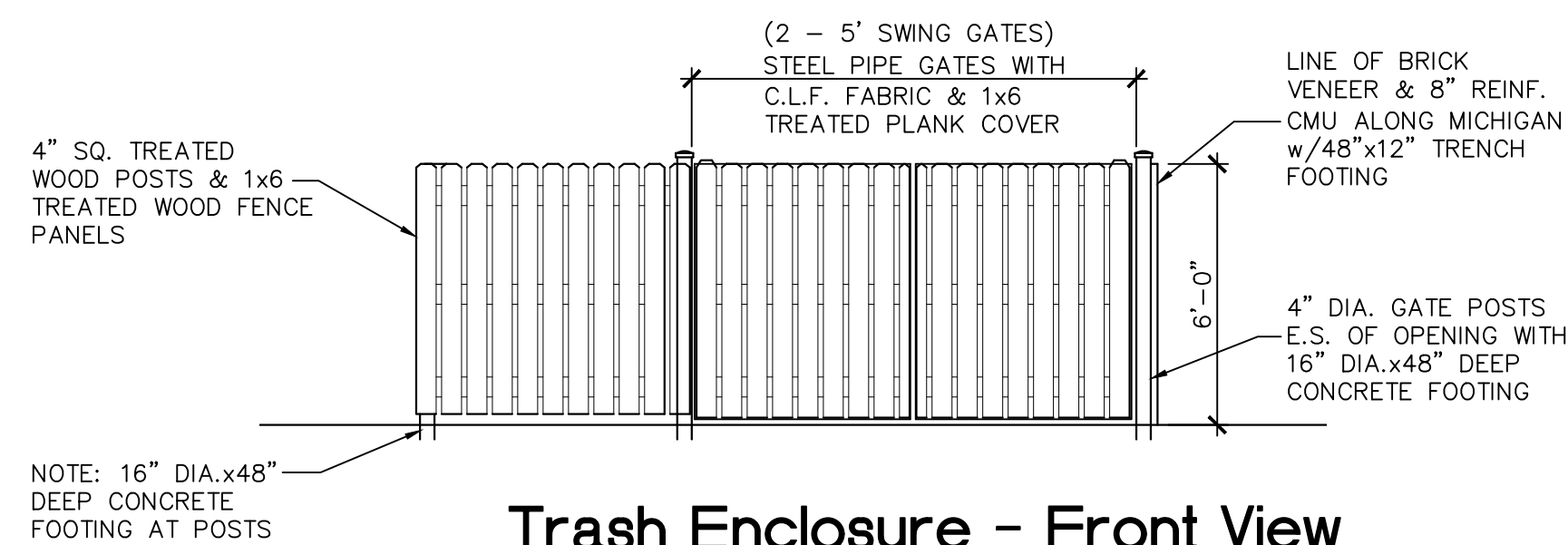


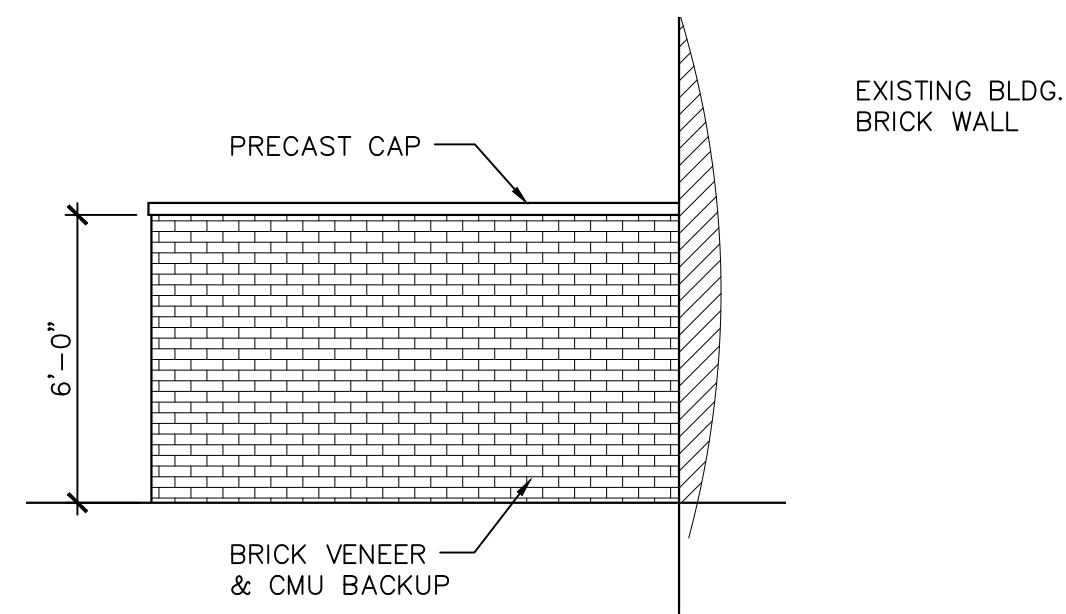
Trash Enclosure - Alley View

SCALE: 1/4" = 1'-0"



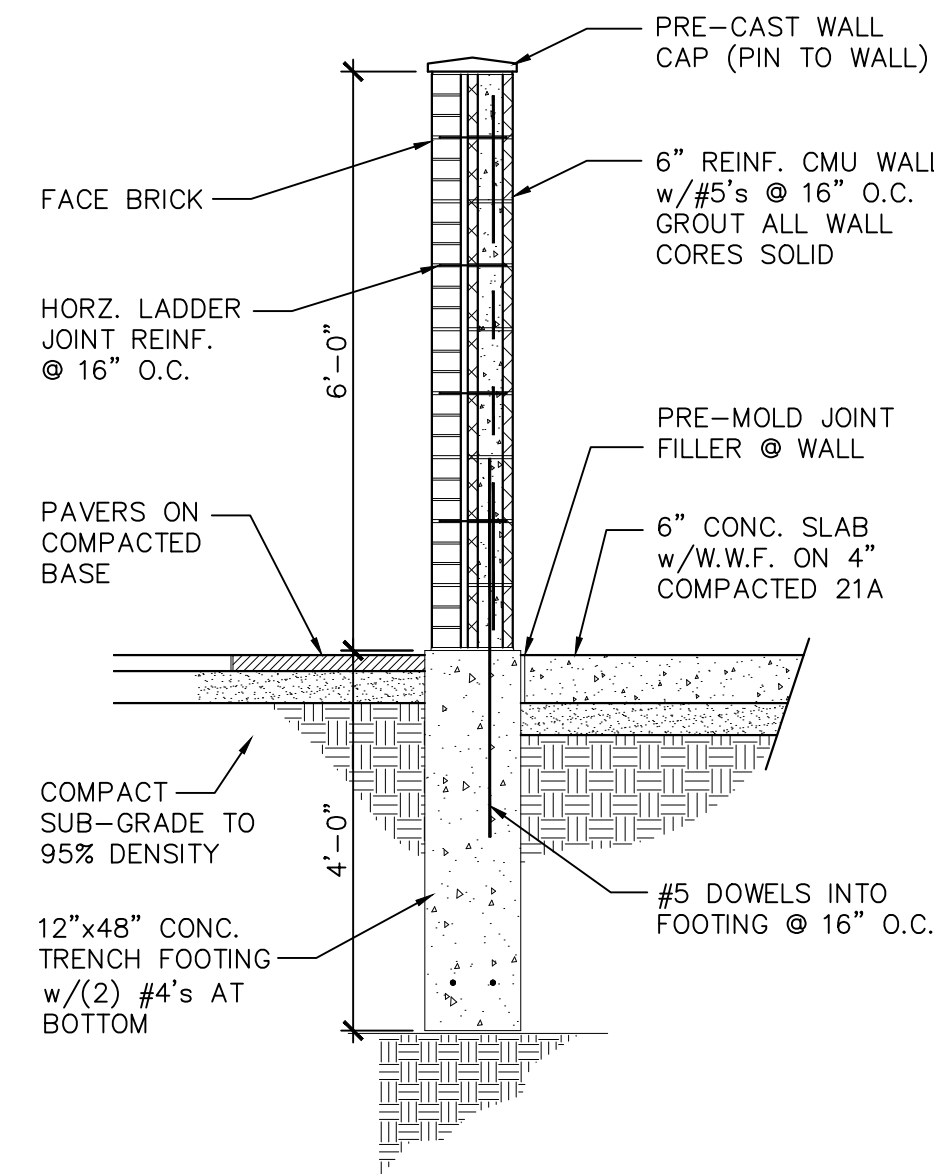
Trash Enclosure - Front View

SCALE: 1/4" = 1'-0"



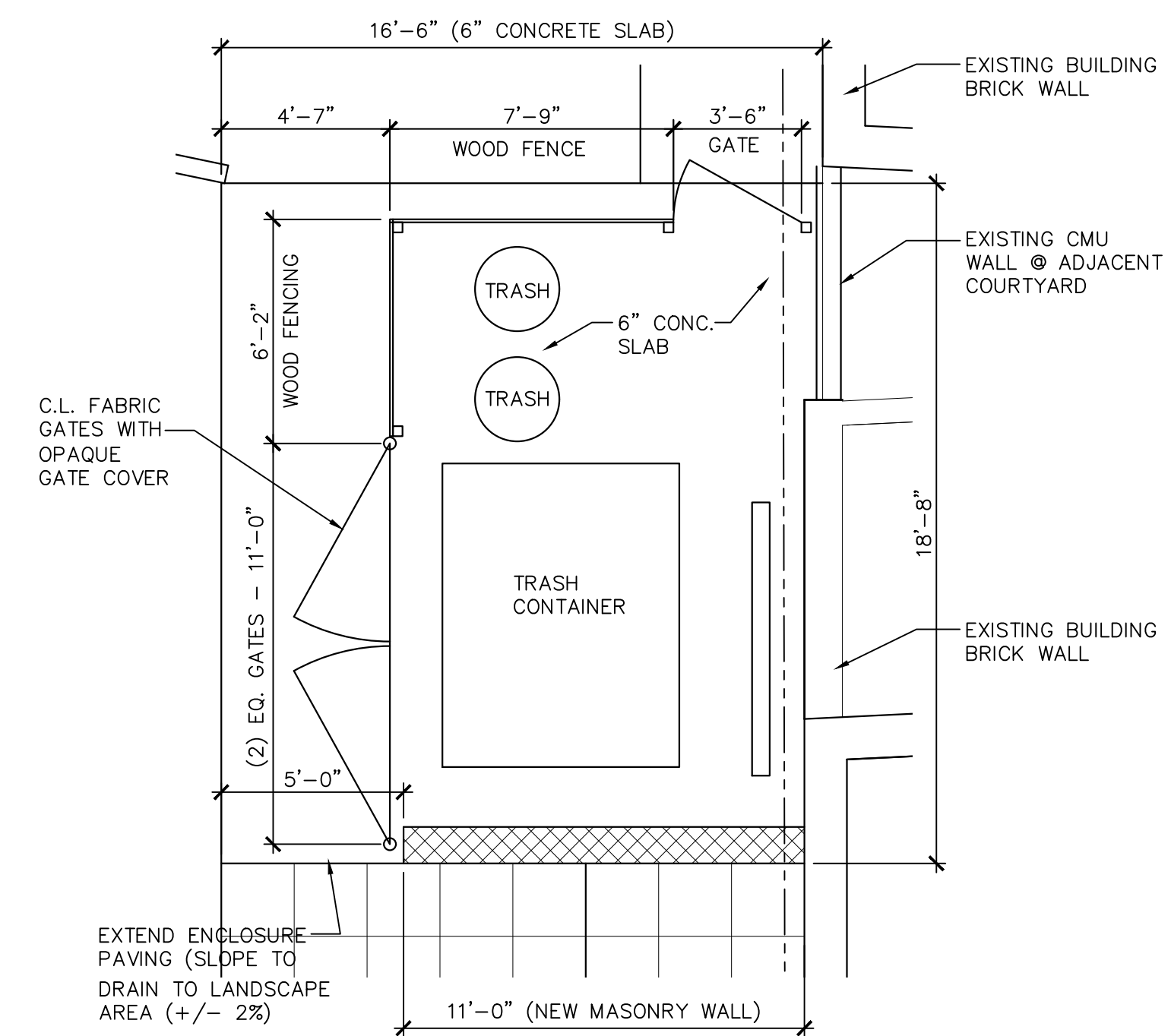
Trash Enclosure - Michigan View

SCALE: 1/4" = 1'-0"



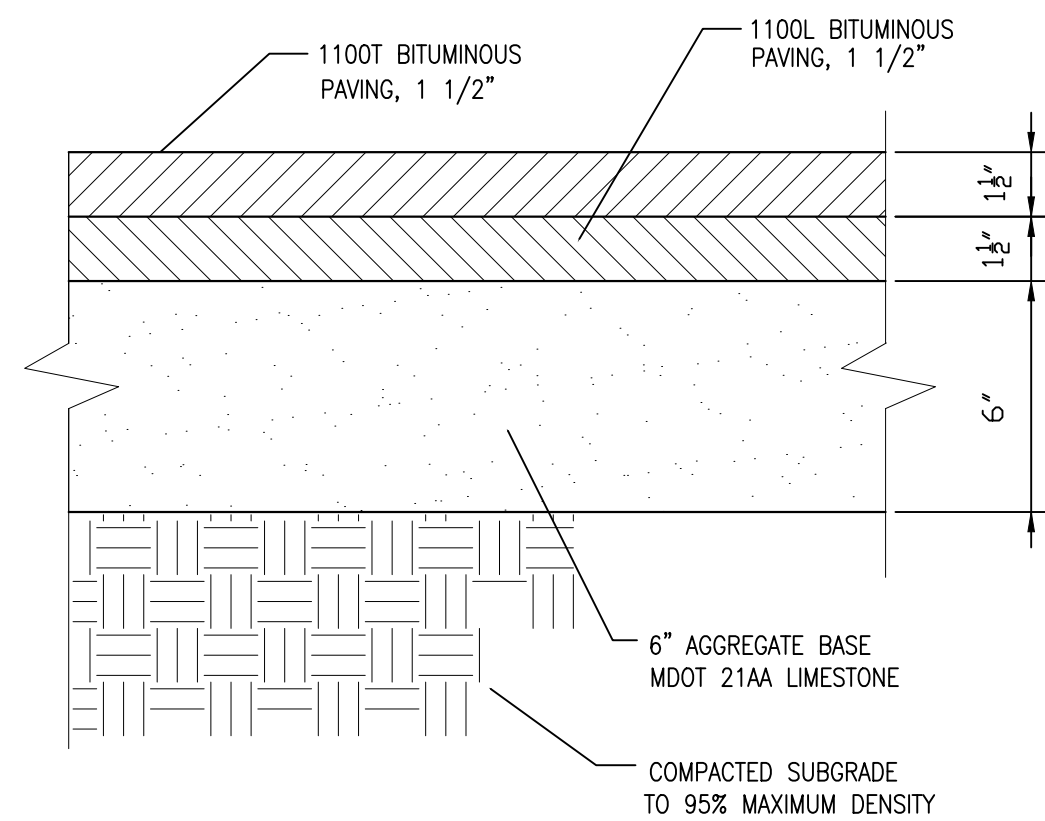
TRASH ENCLOSURE DETAIL

SCALE: 1/2" = 1'-0"



TRASH ENCLOSURE PLAN

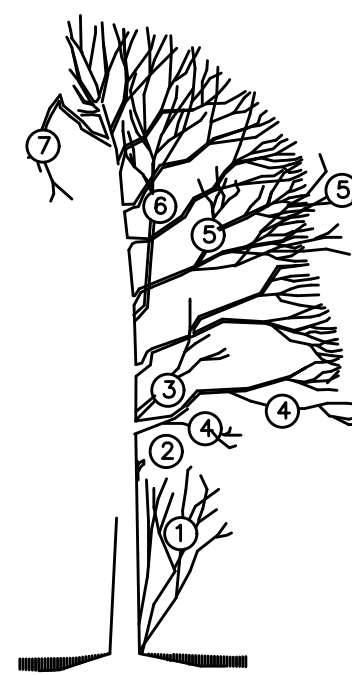
SCALE: 1/4" = 1'-0"



PAVEMENT DETAIL

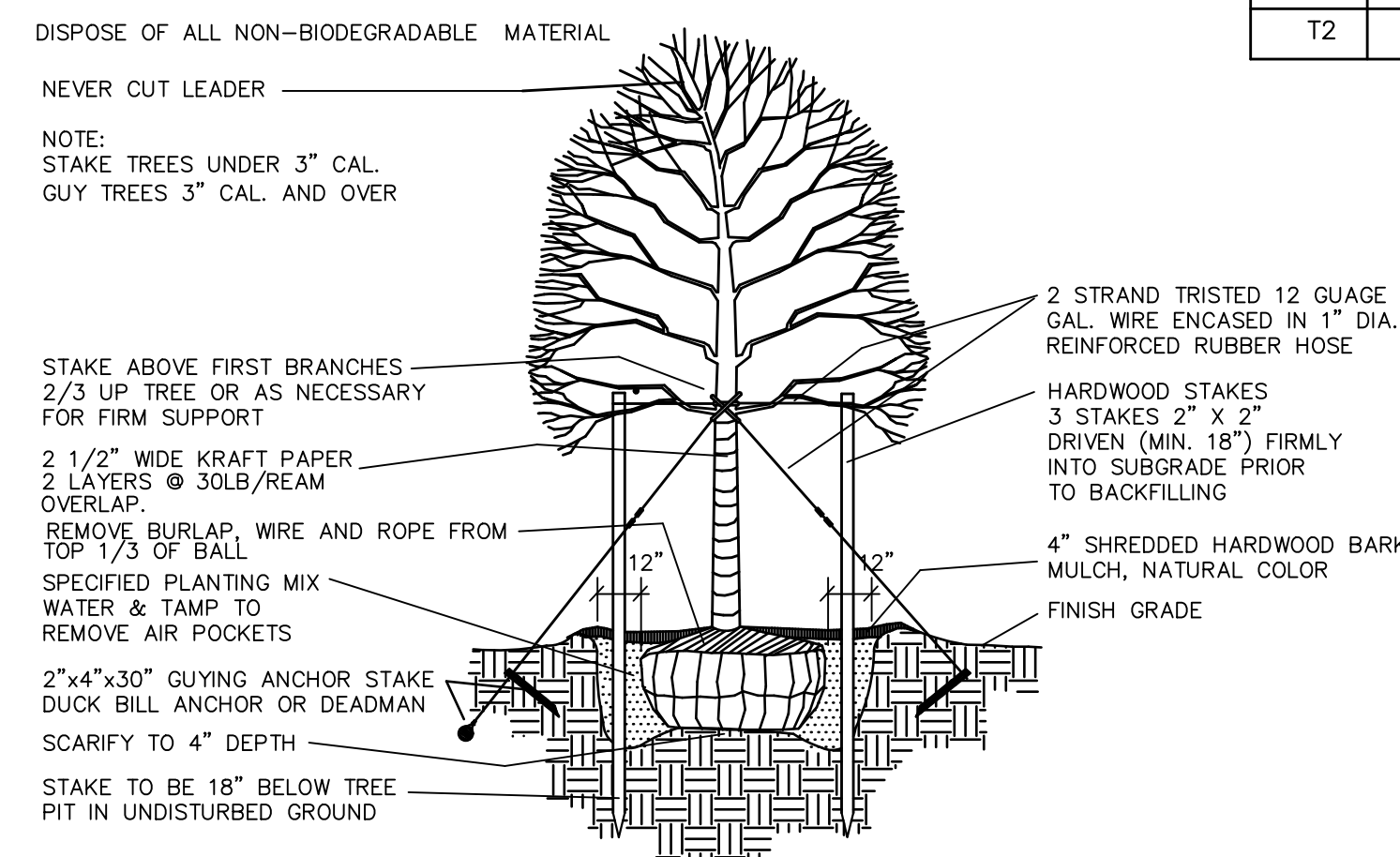
SCALE: NONE

- ① REMOVE SUCKER SHOOTS AT BASE OF TREE
- ② MAKE CLEAN CUTS ON OLD STUBS, IF PRESENT
- ③ REMOVE ENTIRE SUPPLY OF TWIGS AND BUDS ON TRUNK
- ④ REMOVE LOWER BRANCH WHERE AN OVERLYING BRANCH OCCUPIES ABOUT THE SAME AREA
- ⑤ SHAPE TREE BY REMOVING INJURED AND MISSHAPEN BRANCHES
- ⑥ REMOVE CROSS BRANCHES AND THOSE DEVELOPING INTO SECONDARY LEADERS
- ⑦ REMOVE BROKEN AND DEAD BRANCHES



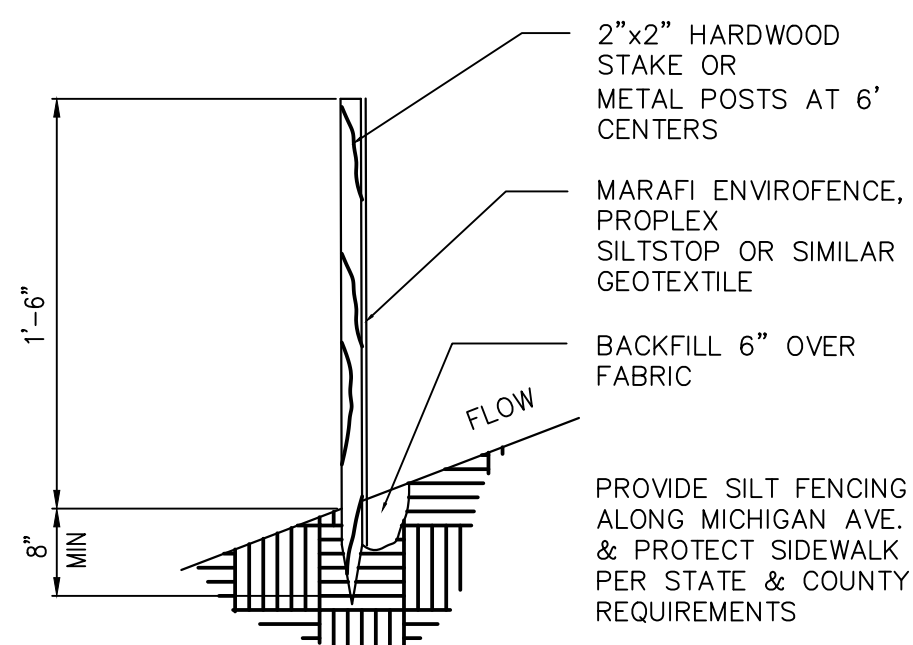
TREE PRUNING

NTS



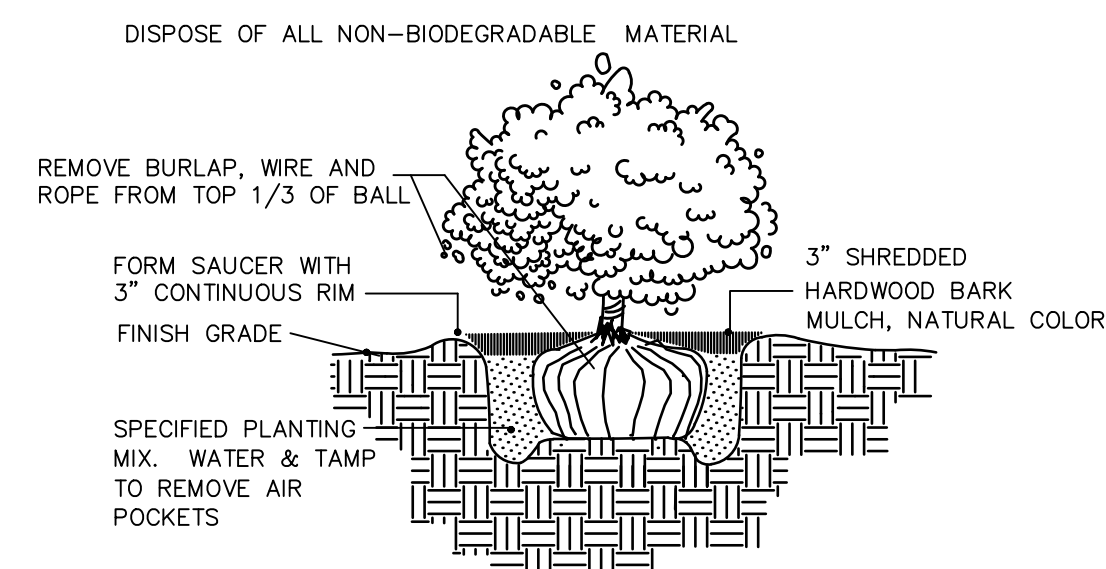
TREE STAKING AND GUYING

NTS



SILT FENCE DETAIL

SCALE: NONE



SHRUB PLANTING DETAIL

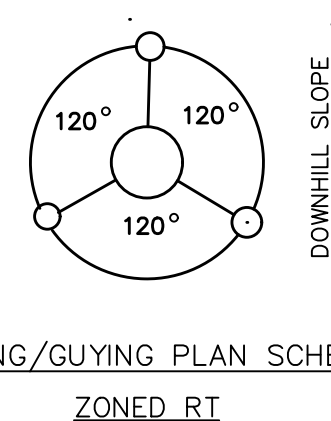
NTS

PLANT VARIETY SELECTION LIST

KEY	QTY	SCIENTIFIC NAME	COMMON NAME	SIZE
GC	50	SEDUM KAMTSCHATICUM	GOLDEN SEDUM	3" POT
P1	27	MALUS ZUMI 'CALOCARPA'	ARBORVITAE - GOLDEN GLOBE	24-30"
P2	17	BUXUS MICROPHYLLA JAPONICA GREGEM	BABY GEM BOXWOOD	1GAL (12-24"
P3	13	PANICUM VIRGATUM SHENANDOAH	SHENANDOAH SWITCH GRASS	1GAL (12-24"
P4	-	DICHONDLA ARGENTEA	DICHONDRA GROUND COVER	SEED
P5	12	HOSTA PLANTAGINEA (JARDIN)	PURPLE HOSTA	-
T1	8	JAPANESE MAPLE FAURIEL	JAPANESE MAPLE (BLOODGOOD)	4'-6'
T2	1	ROSA RADTKO	KNOCK OUT ROSE TREE	5'

STANDARD NOTES

1. ALL CONSTRUCTION AND PLANT MATERIAL LOCATIONS TO BE ADJUSTED ON SITE IF NECESSARY.
2. ANY SUBSTITUTION OF PLANT MATERIAL OR ALTERATION IN PLANT SIZES OR SPECIFICATIONS TO BE CONFIRMED BY THE LANDSCAPE ARCHITECT.
3. ALL LARGE TREES AND EVERGREENS TO BE STAKED, GUYED AND WRAPPED, AS DETAILED ON PLAN.
4. PLANT BEDS TO BE MULCHED AND DRESSED WITH 4" OF SHREDDED HARDWOOD BARK.
5. EVERGREEN GROUPINGS TO VARY IN HEIGHT AS SPECIFIED IN THE PLANT MATERIAL LIST.
6. DIG SHRUB PITS 1' LARGER THAN SHRUB ROOT BALLS AND TREE PITS 2' LARGER THAN ROOT BALLS. BACKFILL WITH ONE PART TOP SOIL AND ONE PART SOIL EXCAVATED FROM PLANTING HOLE.
7. REMOVE ALL TWINE, WIRE AND BURLAP FROM TREE AND SHRUB EARTH BALLS AND FROM TREE TRUNKS.
8. LAWN TREES TO BE MULCHED WITH A 4' WIDE MINIMUM OF 6" DEEP SHREDDED BARK RING OR APPROVED ALTERNATE DESIGN FOR TRUNK PROTECTION.
9. PROVIDE SOD AND 1 YEAR MAINTENANCE FOR ALL NEW LAWN AREAS.
10. INSTALLATION OF ALL PLANT MATERIALS SHALL BE IN ACCORDANCE WITH THE AMERICAN ASSOCIATION OF NURSERYMEN LANDSCAPE STANDARDS. ALL PLANT MATERIALS SHALL BE NURSERY GRADE NO. 1
11. PLANT MATERIALS, ESPECIALLY EVERGREENS, TO BE PLANTED HIGHER THAN NORMAL WHEN HEAVY SOIL CONDITION (CLAY, ETC.) PREVAIL.
12. NO TREES OR LARGE EVERGREENS TO BE PLANTED OVER ANY PROPOSED OR EXISTING UTILITY LINES AS SHOWN ON THE OVERALL LANDSCAPE PLAN. SEE ENGINEERING PLANS FOR EXACT LOCATIONS AND DETAILS.
13. LAWN TREES ARE TO BE MULCHED WITH A MINIMUM OF 4" WIDE BY 6" DEEP SHREDDED BARK RINGS OR APPROVED DESIGNS FOR TRUNK PROTECTION. ONLY NATURAL COLORED SHREDDED HARDWOOD BARK MULCH
14. BACKFILL DIRECTLY BEHIND ALL CURBS AND ALONG SIDEWALKS AND COMPACT TO THE TOP OF CURB OR WALK TO SUPPORT VEHICLE AND PEDESTRIAN WEIGHT WITHOUT SETTLING.
15. ALL LANDSCAPE AREAS SHALL BE EXCAVATED OF ALL EXISTING BASE MATERIAL &/or POOR SOILS TO A DEPTH OF 12-18" AND BACKFILLED WITH GOOD MEDIUM TEXTURE PLANTING SOIL & HAVE 4-6" OF TOP TOPSOIL OVER FILL MATERIAL & CROWNED; MAKE ANY REQUIRED ADJUSTMENTS AFTER EARTH SETTLING.
16. CLEAN & REMOVE EXISTING MATERIALS ALONG WALKS AS REQUIRED TO INSTALL NEW PLANT BEDDINGS.



STAKING/GUYING PLAN SCHEMATIC
ZONED RT

NOTES:

Project:
MICHIGAN AVE. DEVELOPMENT
PARKING 313 - Existing Parking Lot
2010 to 2040 MICHIGAN AVE.
DETROIT, MICHIGAN

NO.	DESCRIPTION	DATE
4	Plan Review	1/29/25
3	Plan Review	8/12/24
2	Plan Review	7/12/24
1	PERMIT	11/22/23

ISSUED FOR:

PROJECT TITLE
2000 MICHIGAN EXISTING PARKING LOT

New Operator

2000 Michigan Ave.

DRAWN KM

CHECKED -

APPROVED -

SHEET TITLE
SITE PLAN

PROJECT NO. - **SHEET NO.**

DATE
11/12/23

A1.2