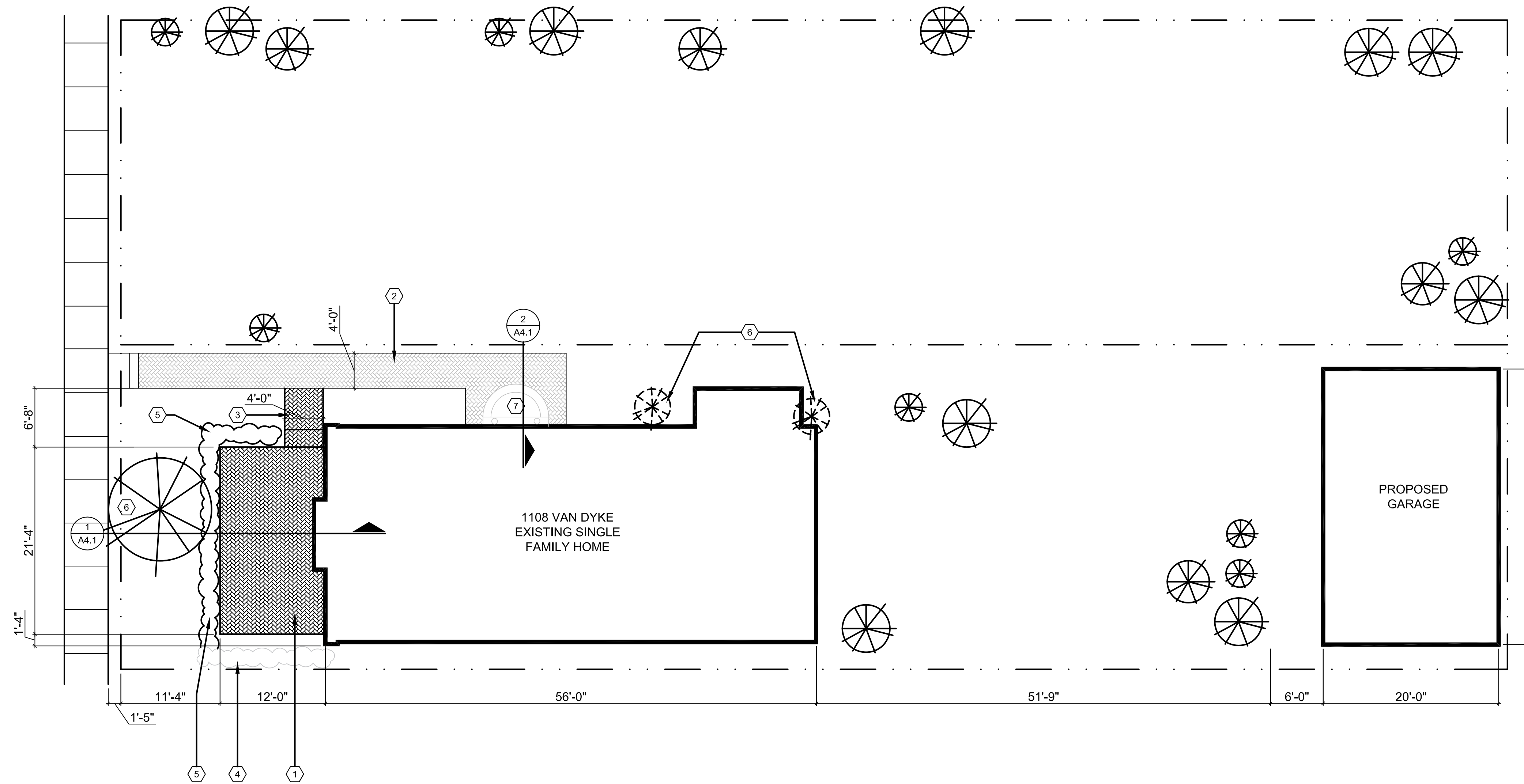
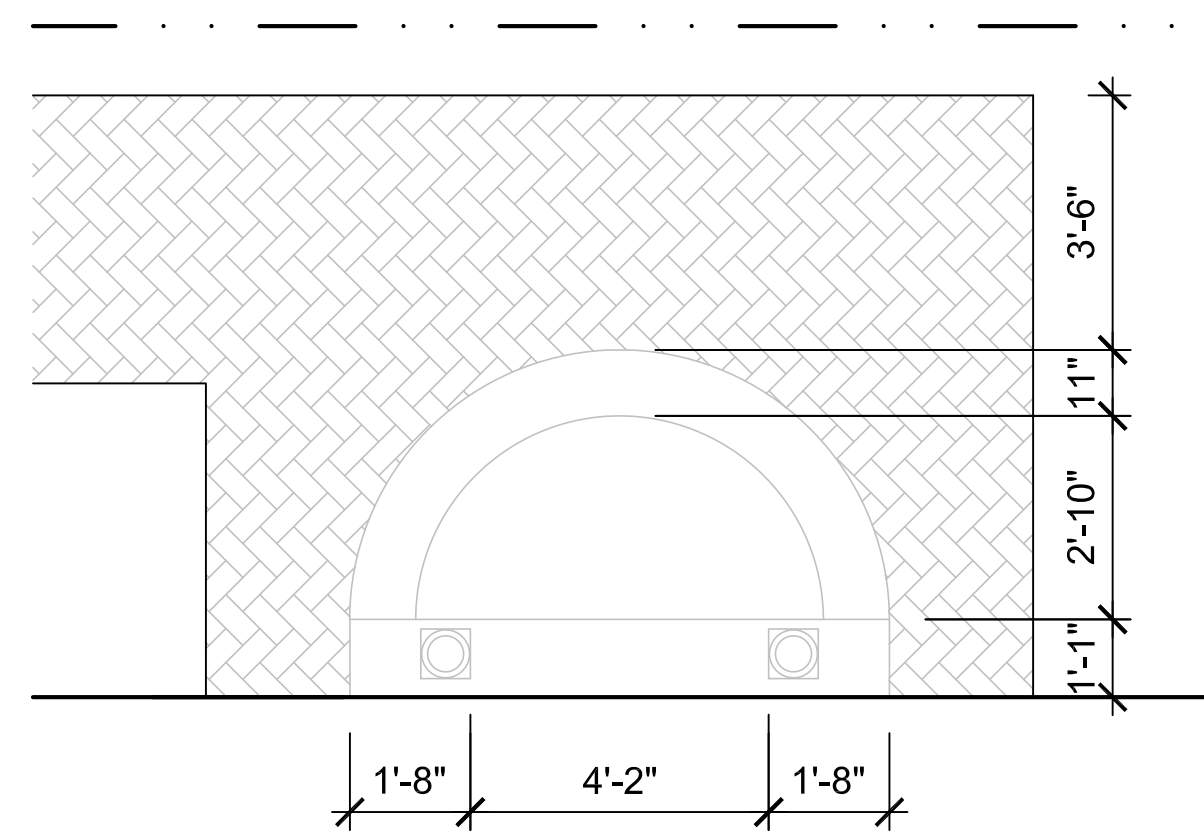


**GENERAL PLAN NOTE:**  
 ALL EXISTING PLANTINGS ON SITE TO REMAIN, UNLESS NOTED OTHERWISE.



**SITE PLAN**  
 SCALE: 1/8"=1'-0"



**PORCH PLAN DETAIL**  
 SCALE: 3/8"=1'-0"

- SITE PLAN KEY NOTES:**  
 (TYPICAL THIS SHEET ONLY)
- ① NEW BRICK PATIO TO MATCH EXISTING
  - ② EXISTING BRICK PATH / STAIRS TO REMAIN
  - ③ NEW BRICK STAIR TO MATCH EXISTING
  - ④ EXISTING HEDGE
  - ⑤ NEW HEDGE
  - ⑥ TREE TO REMAIN IF DEEMED VIABLE BY ARBORISTS; REPLACE IF NOT FOUND VIABLE
  - ⑦ EXISTING PORCH TO BE REPAIRED- EXISTING FOOTPRINT TO REMAIN

**ARCHITECT:**  
**4545** architecture  
 2761 E. JEFFERSON AVE  
 STE 302  
 DETROIT, MI 48207  
 P. 313.320.6098  
 TIM.FLINTOFF@4545ARCHITECTURE.COM

**CONSULTANT:**

**Project :**  
 1108 VAN DYKE ST.  
 DETROIT, MI 48214

**Issued for :**  
 HDC 07/10/2024

**Drawn by :**  
 ANJ

**Check by :**  
 THF

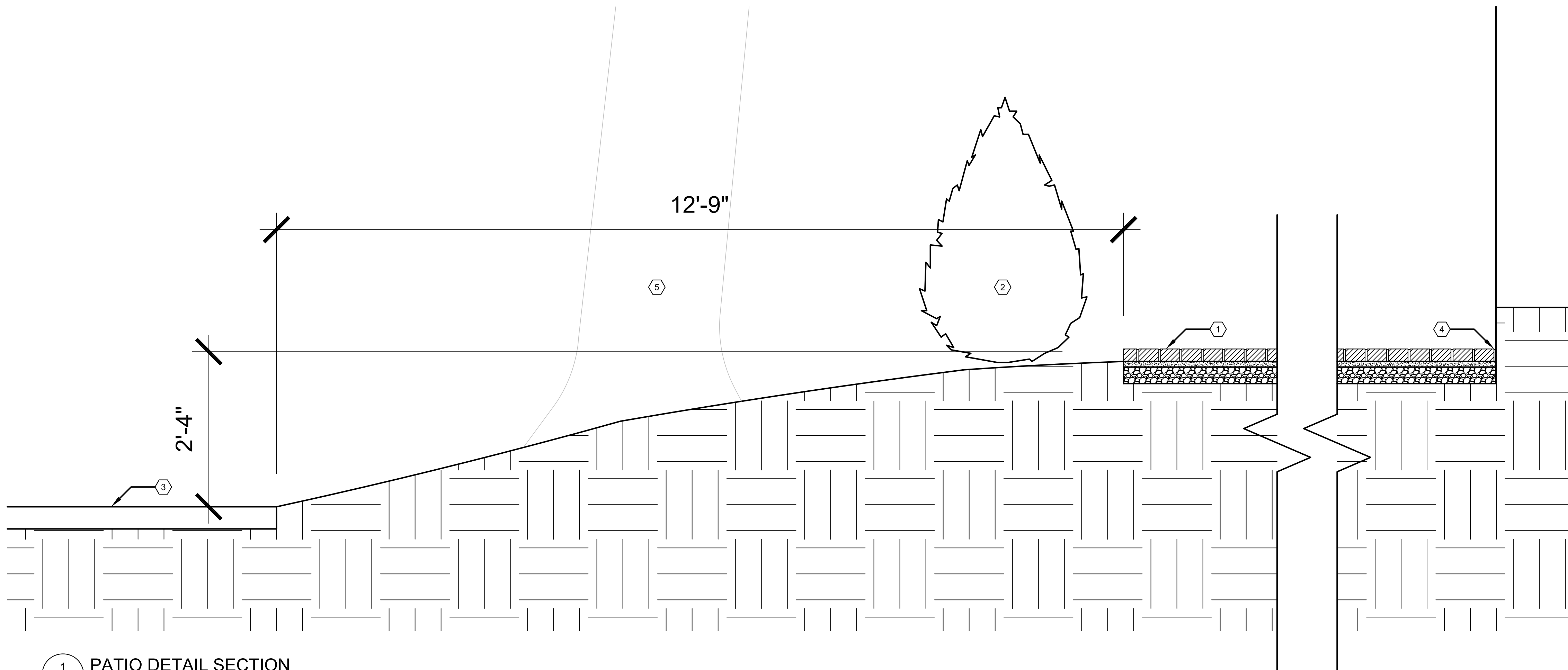
**Sheet Title :**  
 SITE PLAN

**Project No. :**  
 2023015

**Sheet No. :**  
 SP1.1

**NOT FOR CONSTRUCTION**

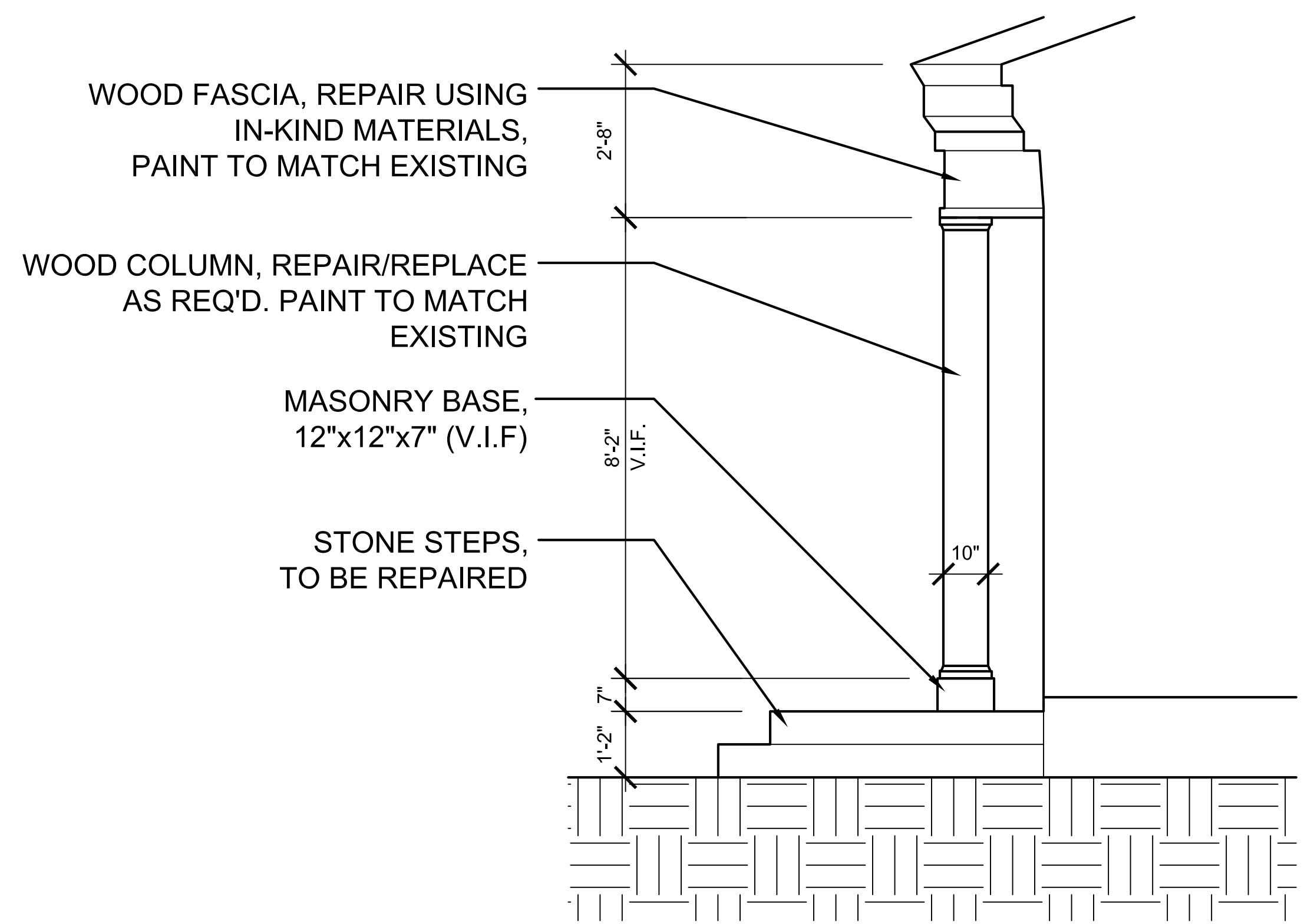
**DO NOT SCALE DRAWINGS | ©2023 Timothy Flintoff Architect, PLLC**



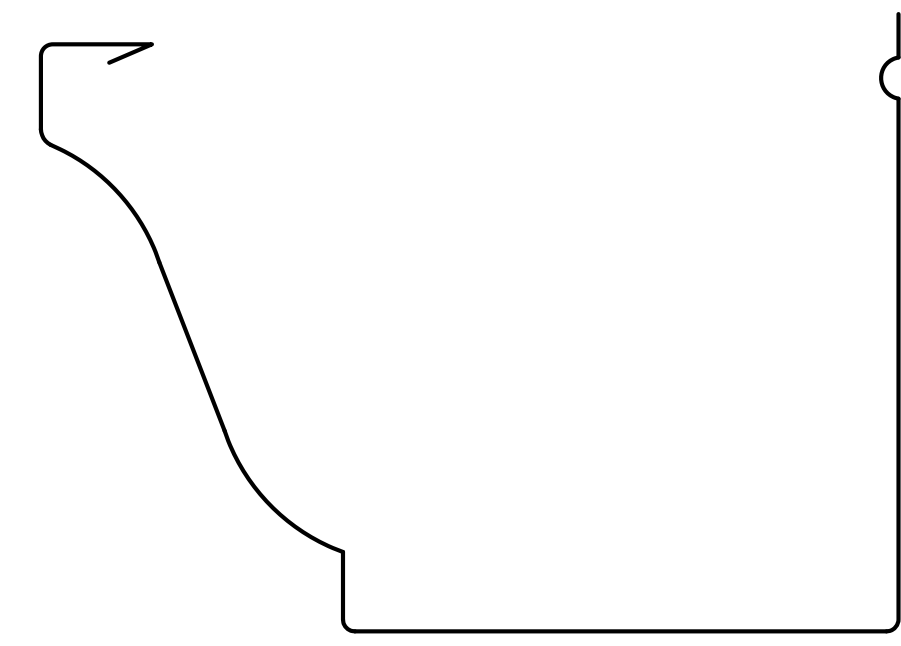
1 PATIO DETAIL SECTION  
 SP1.1 SCALE: 1/2" = 1'-0"

**SECTION KEY NOTES:**

- (TYPICAL THIS SHEET ONLY)
- 1 BRICK (MATCH TO EXISTING WALKWAY) PAVERS ON SAND ON COMP. GRAVEL FILL
  - 2 DECORATIVE HEDGE
  - 3 EXISTING SIDEWALK
  - 4 EXPANSION JOINT AS REQ'D
  - 5 EXISTING / REPLACEMENT TREE (SEE SITE PLAN)



2 PORCH DETAIL SECTION  
 SP1.1 SCALE: 1/2" = 1'-0"



3 K-STYLE GUTTER PROFILE  
 A3.1 NOT TO SCALE

ARCHITECT:  
 4545 architecture

2761 E. JEFFERSON AVE  
 STE 302  
 DETROIT, MI 48207  
 P. 348.320.6098  
 TIM.FLINTOFF@4545ARCHITECTURE.COM

CONSULTANT:

Project :  
 1108 VAN DYKE ST.  
 DETROIT, MI 48214

Issued for :  
 HDC 07/10/2024

**NOT FOR CONSTRUCTION**

Drawn by :  
 ANJ  
 Check by :  
 THF

Sheet Title :  
 DETAIL  
 SECTIONS

Project No. :  
 2023015

Sheet No. :  
**A4.1**

DO NOT SCALE DRAWINGS | ©2023 Timothy Flintoff Architect, PLLC