

Eagle® Talon® RetroFit Double-Hung and Picture Window Measuring Guidelines

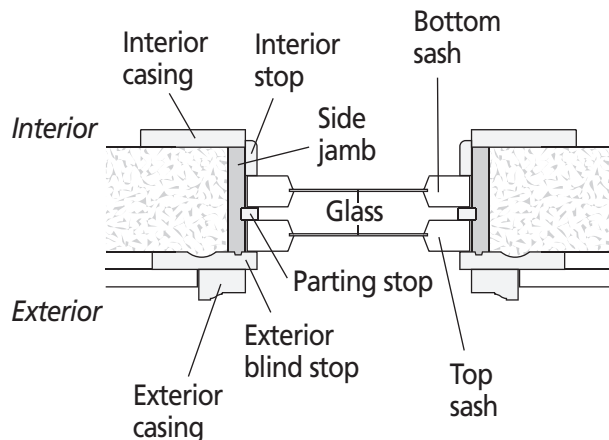
To assist you with measuring for Eagle® Talon® RetroFit products, we've included typical section details of double-hung products comparable to what may be in your home.

Please read these guidelines completely before starting. For questions about this and other Eagle products, see your nearest Eagle Window & Door dealer or visit us online at EagleWindow.com.

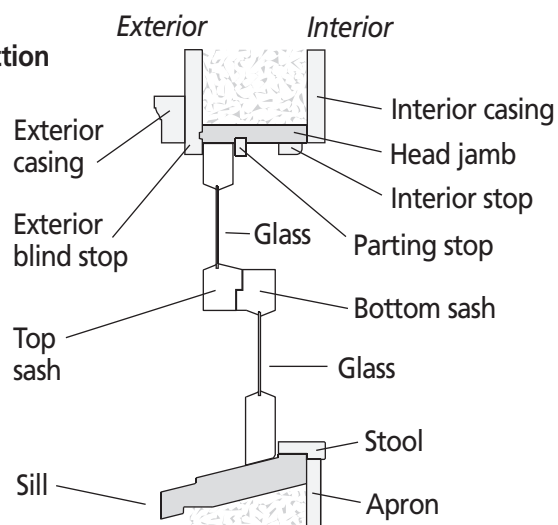
Consult your local building code official for applicable building codes and regulations. Thank you for choosing Eagle products.

TYPICAL DOUBLE-HUNG WINDOWS

Horizontal Section

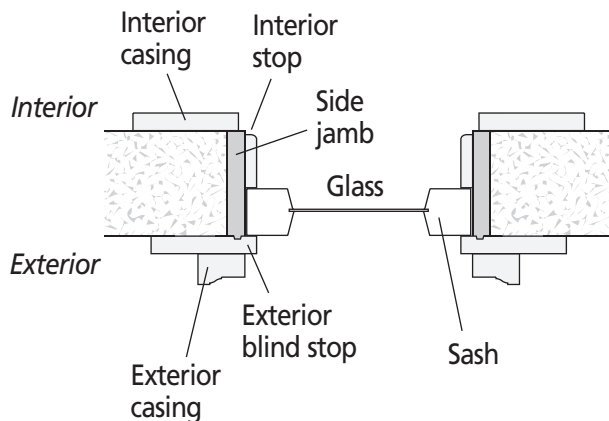


Vertical Section

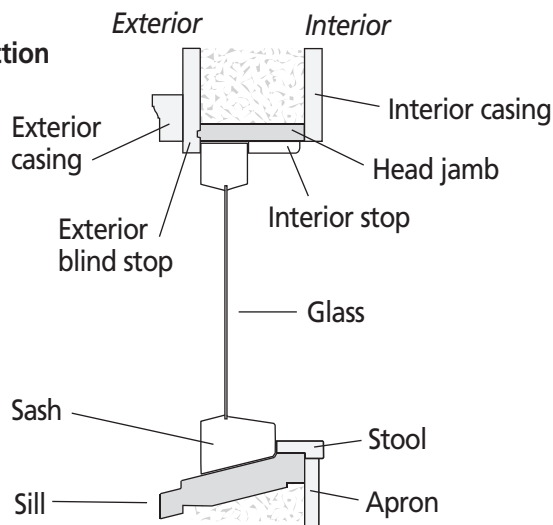


TYPICAL DOUBLE-HUNG PICTURE WINDOWS

Horizontal Section



Vertical Section



TOOLS REQUIRED

Tape measure

Angle finder

Thin ruler



800.324.5354 | EagleWindow.com

INSPECT THE OLD WINDOW

Carefully inspect the existing window openings prior to measuring and ordering your RetroFit windows.

STEP 1

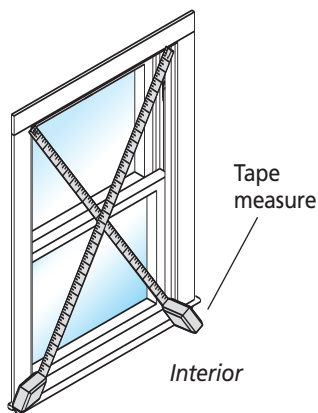
Check the existing window frame for damage. Deteriorated or rotted wood members, including the exterior blind stops must be repaired prior to installation.

If the original window frame cannot be repaired or replaced, the opening will not be suitable for a RetroFit window replacement.

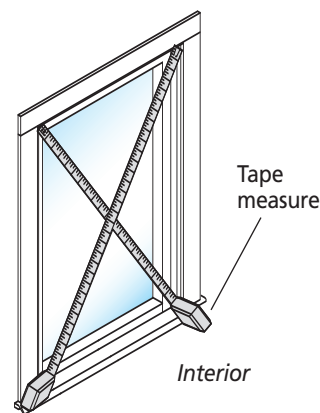
STEP 2

Check the existing opening for plumb level and square. A unit is square when the diagonal measurements are within 1/8". If a unit is not plumb, level and square, adjust the opening accordingly.

Double-Hung



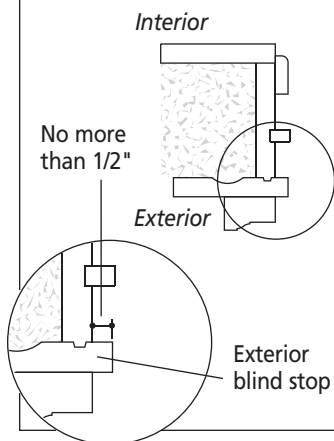
Double-Hung Picture



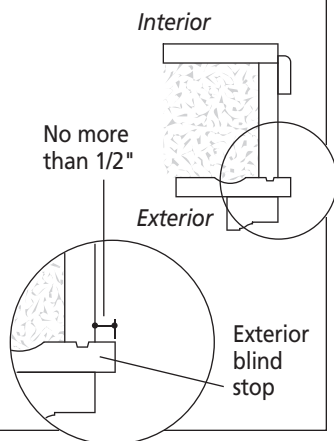
STEP 3

Measure the exterior blind stop on the existing frame. If the measurement is greater than 1/2", the blind stop will have to be modified or the unit will need to be installed from the exterior.

Double-Hung



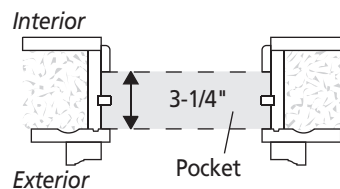
Double-Hung Picture



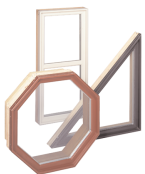
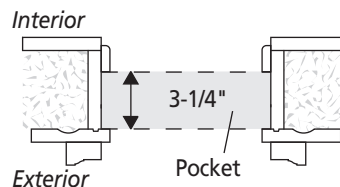
STEP 4

Measure frame to make sure that a 3-1/4" wide pocket exists or can be created for the RetroFit window.

Double-Hung



Double-Hung Picture



MEASURING THE OPENING

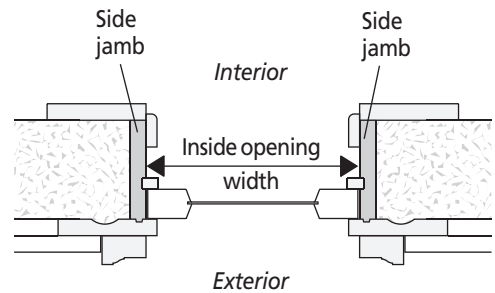
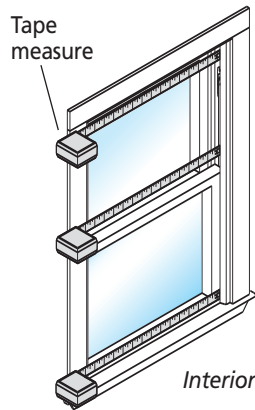
Measure each window even if they appear to be the same size. Use extreme accuracy when taking measurements.

Record all measurements on the “Measurement Worksheet”, located on the last page of this document. You will be required to calculate the unit “make size” after the opening measurements have been determined.

STEP 1

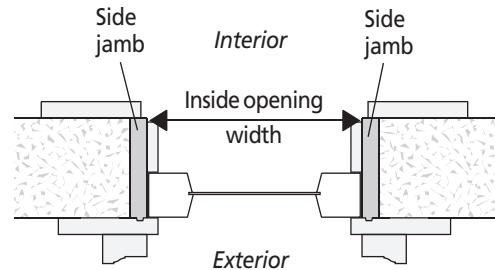
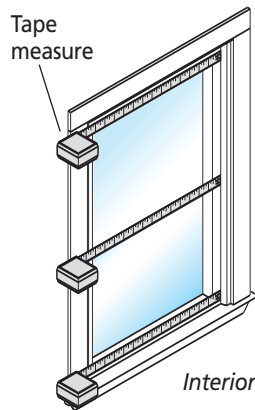
Measure the inside opening width (side jamb to side jamb) at three locations: top, center and bottom. Record the smallest measurement on the worksheet provided.

Double-Hung

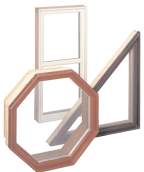


Measure from wood side jamb to wood side jamb. Lower sash is not shown for the purpose of illustrating the measuring location.

Double-Hung Picture



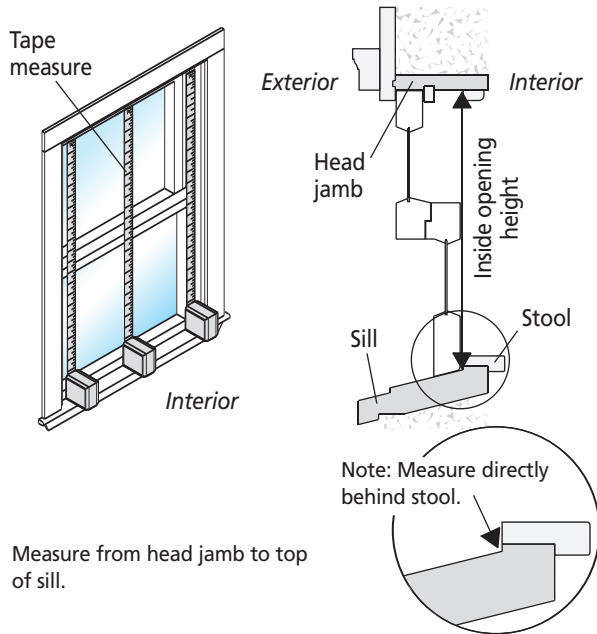
Measure from wood side jamb to wood side jamb.



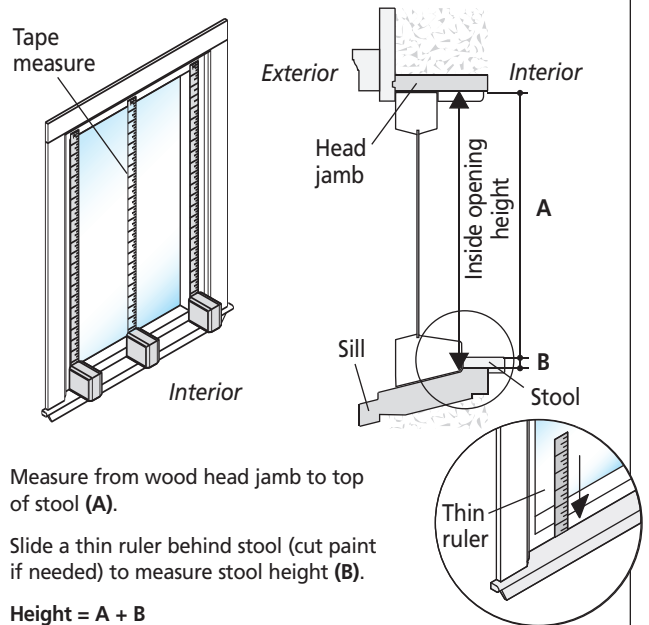
STEP 2

Measure the inside opening height (top of sill, just behind the stool, to the underside of the head jamb) at three locations: left, center and right. Record the smallest measurement on the worksheet provided.

Double-Hung

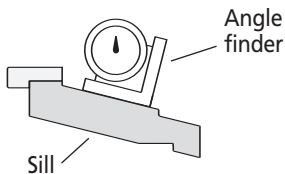


Double-Hung Picture



STEP 3

Measure the angle of the existing sill using an angle finder. Record the angle to the nearest degree on the worksheet provided.



STEP 4

Calculate the unit "make" width from the inside opening width dimension taken earlier. Unit make width = (inside opening width - 1/4"). Then round down to the nearest 1/4" increment and record on the worksheet.

Example:

$$36\text{-}1/8" \text{ minus } 1/4" = 35\text{-}7/8"$$

Then round down to the nearest 1/4" increment, or 35-3/4".

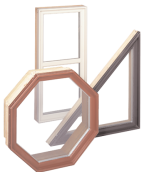
STEP 5

Calculate the unit "make" height from the inside opening height dimension taken earlier. Unit make height = (inside opening height - 1/4"). Then round down to the nearest 1/4" increment and record on the worksheet.

Example:

$$45\text{-}7/8" \text{ minus } 1/4" = 45\text{-}5/8"$$

Then round down to the nearest 1/4" increment, or 45-1/2".



Measurement Worksheet

Note: Eagle Window & Door only accepts unit “make size” measurements. It remains the customer’s responsibility to subtract from the inside opening dimensions to get the unit make size.

Quantity	Window/Location	STEP 1	STEP 2	STEP 3	STEP 4	STEP 5
		Existing Window Opening			RetroFit Inside Frame Size	
		Width	Height	Sill Angle	Make Width	Make Height
1	Example	36-1/8"	45-7/8"	10°	35-3/4"	45-1/2"

Project Name: _____ Measured By: _____

Date: _____

“Eagle” and all other marks denoted are trademarks of Eagle Window & Door Manufacturing, Inc.
 ©2009 Eagle Window & Door Manufacturing, Inc. All rights reserved.

