

CUSTOMER APPROVAL \_\_\_\_\_ DATE \_\_\_\_\_  
This is an original unpublished drawing, created by F.S.C. It is submitted for your use in connection with a project being planned for you by F.S.C. It is not to be shown, copied, reproduced or exhibited in any fashion without the express written approval by F.S.C.  
© FAIRMONT SIGN COMPANY, 2002

DATE	REVISION	INIT
*	*	*
*	*	*
*	*	*
*	*	*

CUSTOMER/LOGO: **CITY OF DETROIT**  
ADDRESS: 1 CAMPUS MARTIUS SUITE 380  
CITY, STATE: DETROIT MI

DWG TITLE: BREAKAWAY SYSTEM INSTALLATION  
DESCRIPTION: BREAKAWAY INSTALLATION  
FILE NAME:  
BLOCK NAME:

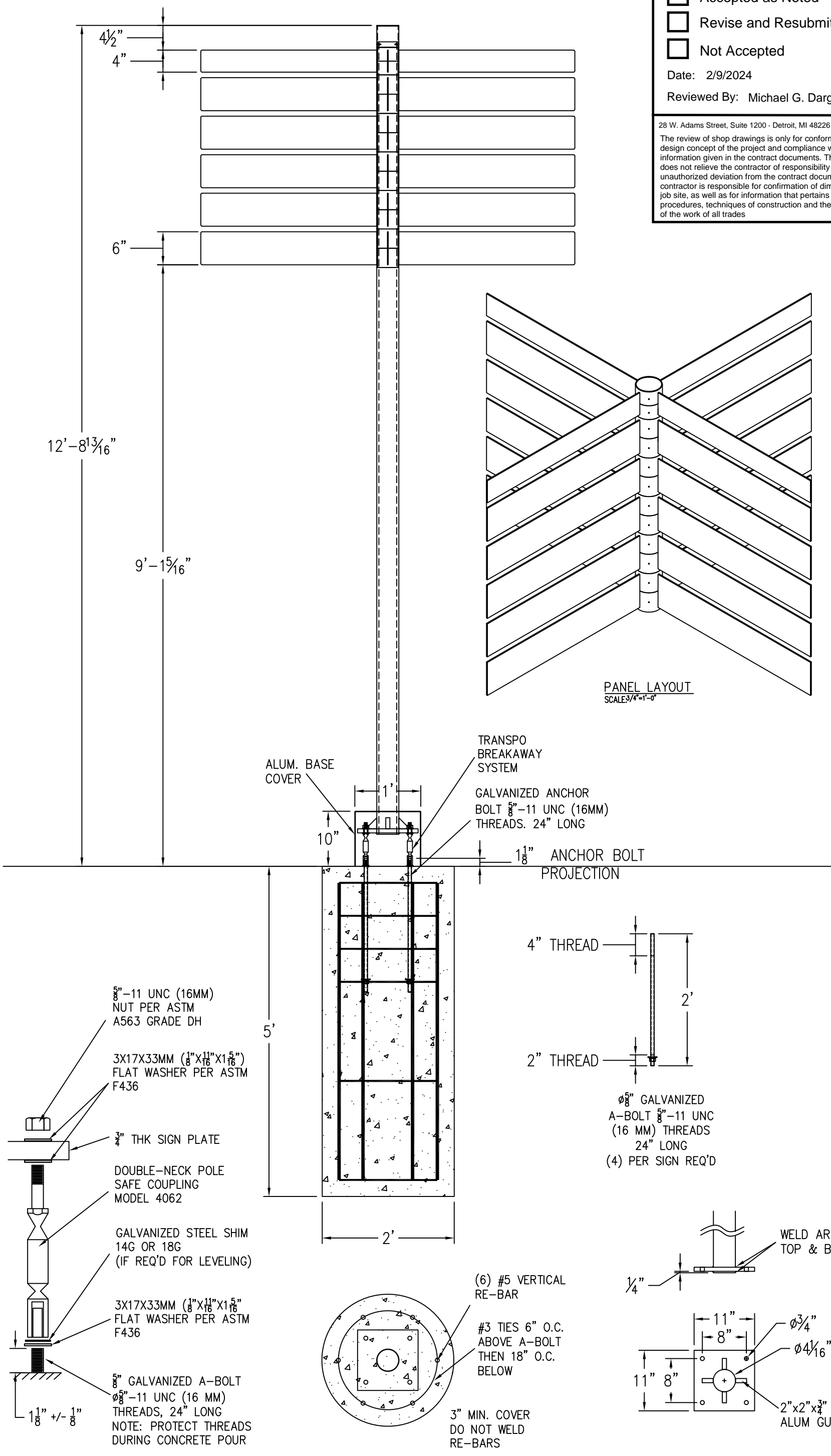
WO#: 106019  
DATE: 2/1/24  
DRAWN BY: AK  
SHEET #: 1 OF #: 1

**GIFFELS WEBSTER**  
SUBMITTAL REVIEW

Accepted  
 Accepted as Noted  
 Revise and Resubmit  
 Not Accepted

Date: 2/9/2024  
Reviewed By: Michael G. Darga, PE

28 W. Adams Street, Suite 1200 · Detroit, MI 48226 · 313-962-4442  
The review of shop drawings is only for conformance with the design concept of the project and compliance with information given in the contract documents. This review does not relieve the contractor of responsibility for any unauthorized deviation from the contract documents. The contractor is responsible for confirmation of dimensions at the job site, as well as for information that pertains to fabrication procedures, techniques of construction and the coordination of the work of all trades



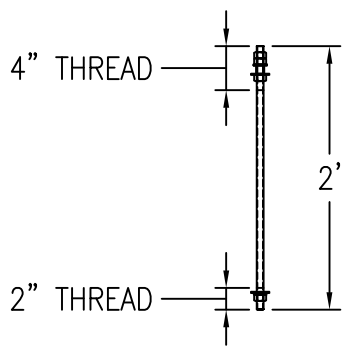
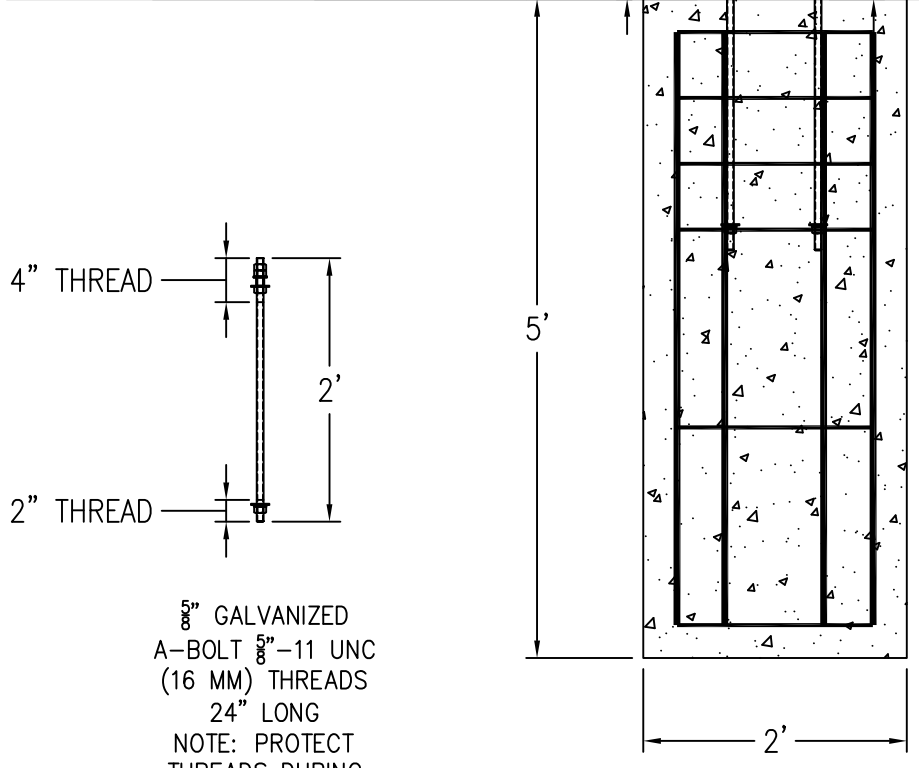
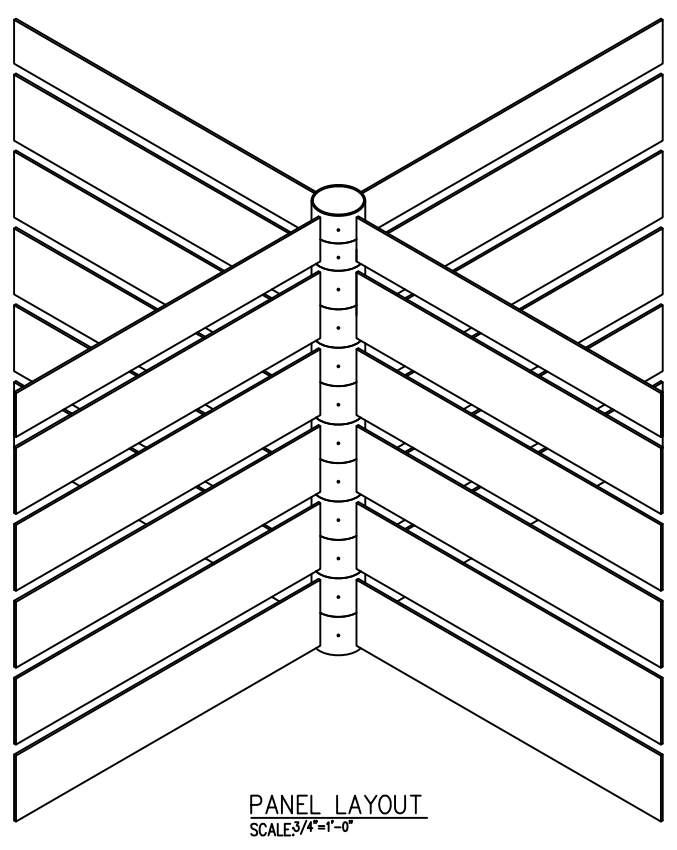
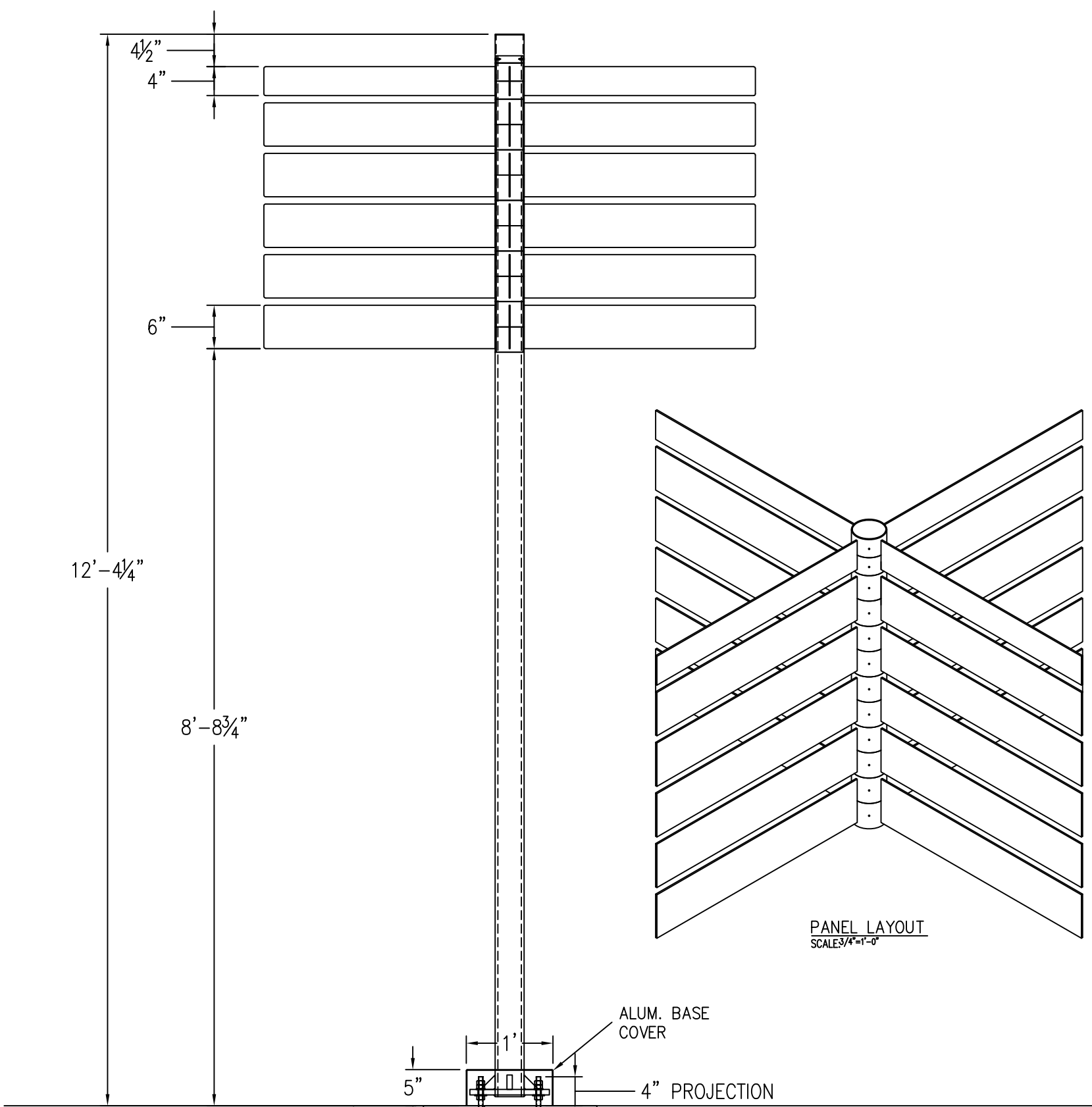
CUSTOMER APPROVAL \_\_\_\_\_ DATE \_\_\_\_\_  
This is an original unpublished drawing, created by F.S.C. It is submitted for your use in connection with a project being planned for you by F.S.C. It is not to be shown, copied, reproduced or exhibited in any fashion without the express written approval by F.S.C.  
© FAIRMONT SIGN COMPANY, 2002

DATE	REVISION	INIT
*		*
*		*
*		*
*		*

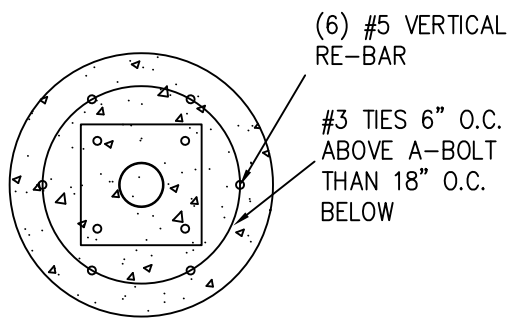
CUSTOMER/LOGO  
**CITY OF DETROIT**  
ADDRESS  
1 CAMPUS MARTIUS SUITE 380  
CITY STATE  
DETROIT MI

DWG TITLE: STD A-BOLT INSTALLATION  
DESCRIPTION: STD INSTALLATION  
FILE NAME:  
BLOCK NAME:

WO#: 106019  
DATE: 2/1/24  
DRAWN BY: AK  
SHEET #: 1 OF #: 1



5/8" GALVANIZED  
A-BOLT 5/8"-11 UNC  
(16 MM) THREADS  
24" LONG  
NOTE: PROTECT  
THREADS DURING  
CONCRETE POUR  
(4) PER SIGN REQ'D



3" MIN. COVER  
DO NOT WELD  
RE-BARS

