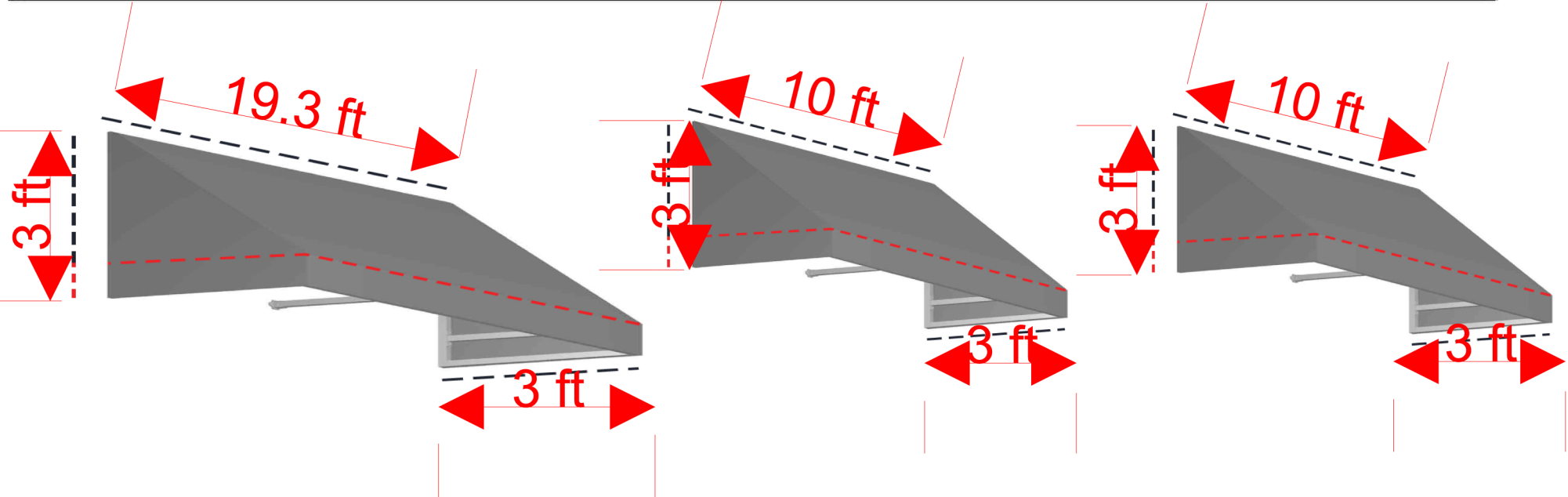
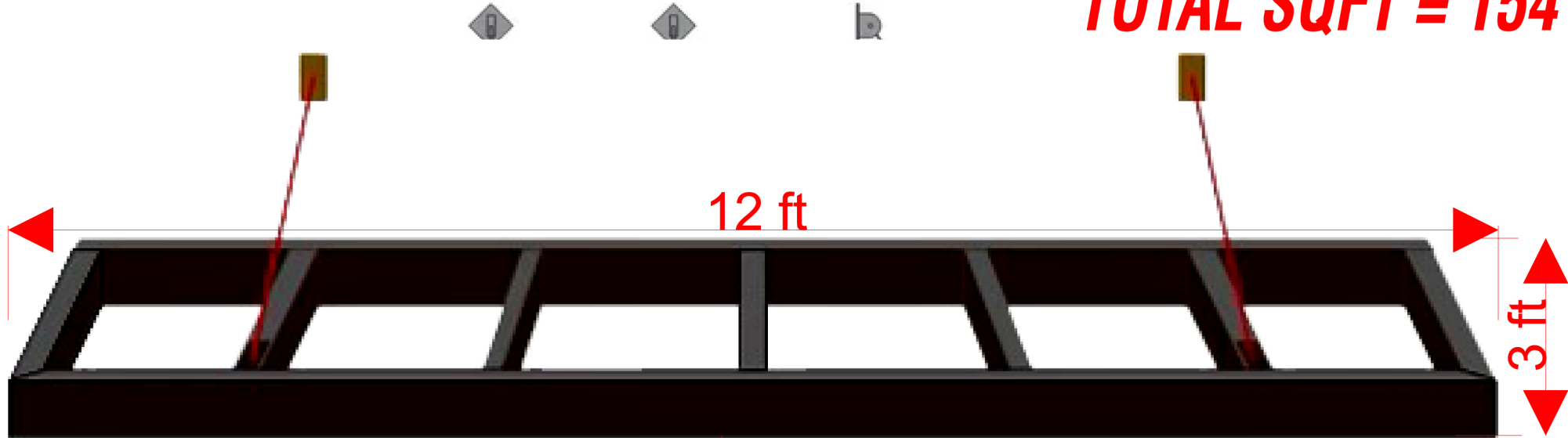


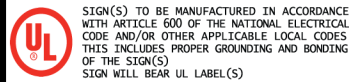
SIGN DIMENSION

TOTAL SQFT = 154



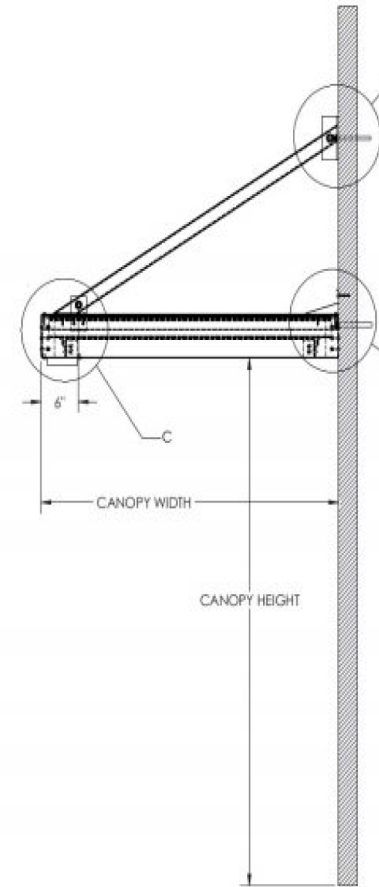
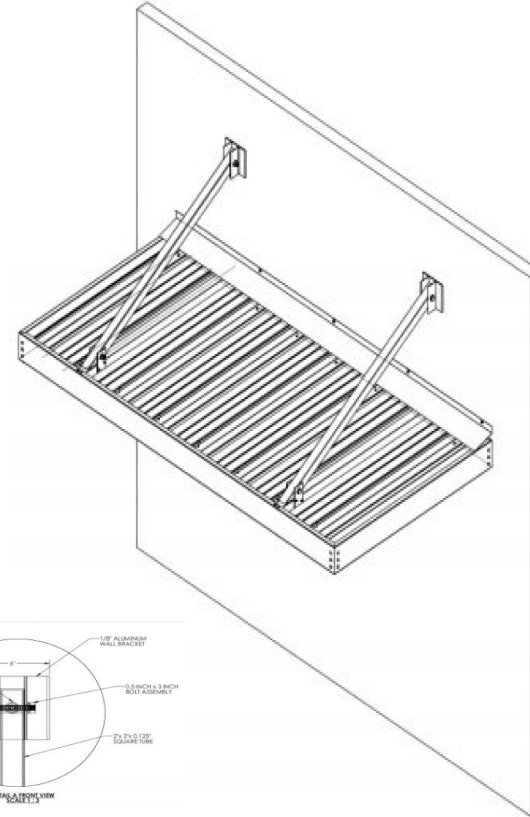
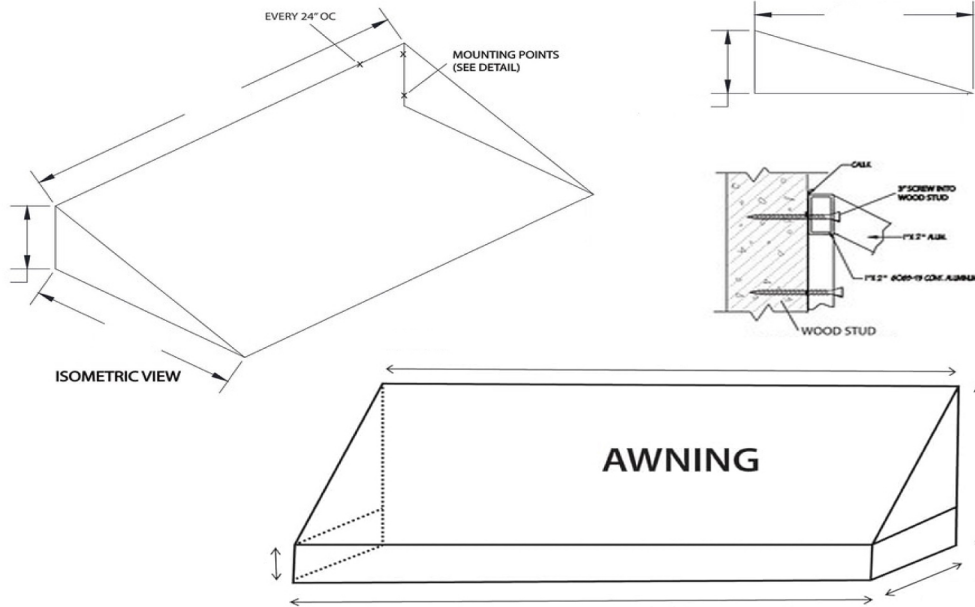
Company Name	Project Name	Project Address	Project Details	Complete By	Customer Approval
	Sexy Steak Detroit	1942 Grand River Ave, Detroit, MI 48226	Channel letter sign on raceway install on aluminum new awning.	Drawn By: AHMED Sales Rep: ALI Date: 11 / 29 /2023	Signature: _____ Date: / /2023

DISCLAIMER - This drawing is conceptual and was prepared to show approximate location, arrangement, size and color of signage. It is subject to change and not intended to replace the use of construction documents and/or actual field dimensions.



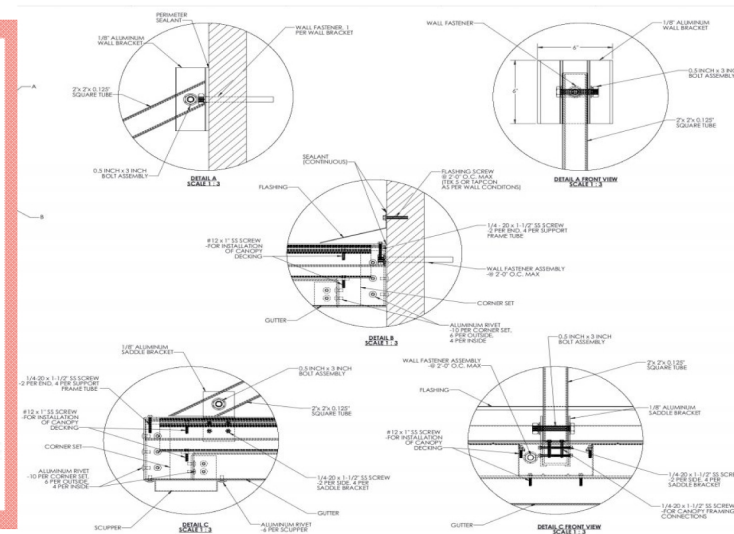
SIGN SPECIFICATIONS

ALUMINUM AWNING TYPES



NOTES:

- ALUMINUM AWNING (SHEET GAUGE .019)
- ALUMINUM VALANCE (GAUGE .024)
- ALUMINUM RAFTERS 1x2 (GAUGE .40)
- STAINLESS STEEL PLATED SCREWS
- 1.5" COLUMNS (GAUGE 0.55)
- S SCROLLS (GAUGE 0.90)
- HEAD RAIL SECURED TO WOOD STUDS
- COLUMN FEET SHALL BE SECURED ON BRICK WALL w/ 1/2" x 6" CHEMICAL ANCHORS (4 TOTAL)



ISOMETRIC VIEW OF CANOPY

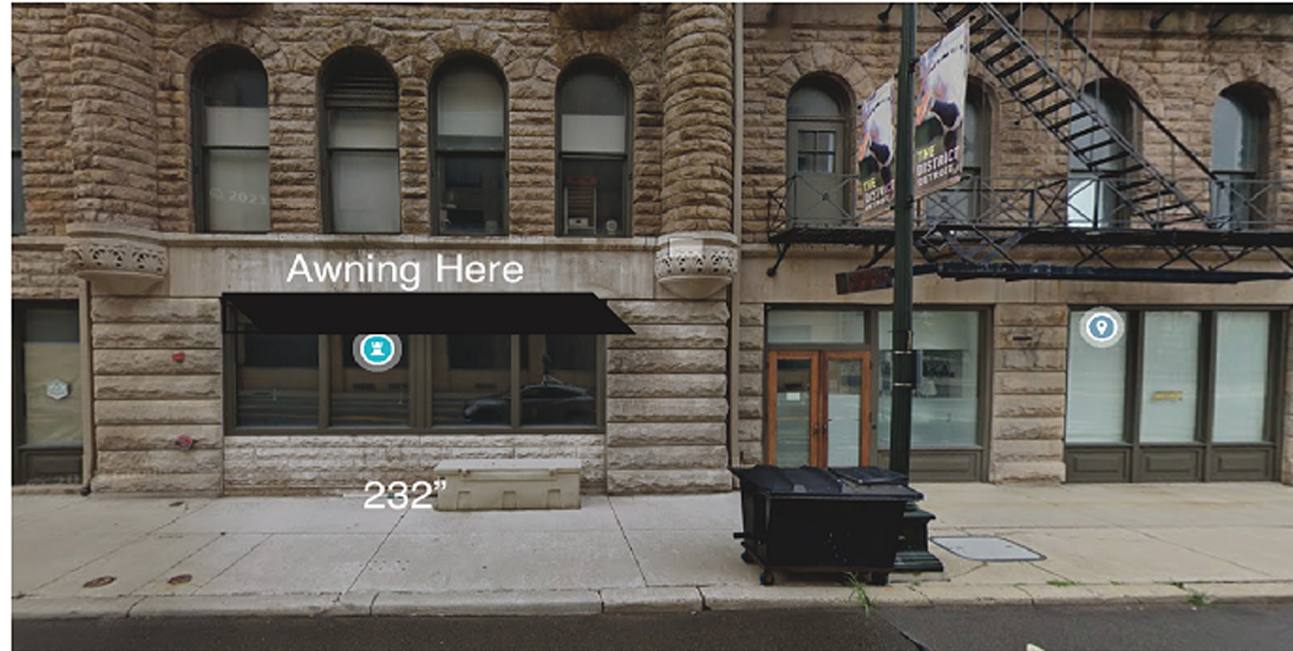
SECTION VIEW OF CANOPY

Company Name	Project Name	Project Address	Project Details	Complete By	Customer Approval
	Sexy Steak Detroit	1942 Grand River Ave, Detroit, MI 48226	Channel letter sign on raceway install on aluminum new awning.	Drawn By: AHMED Sales Rep: ALI Date: 11 / 29 / 2023	Signature: _____ Date: / / 2023

DISCLAIMER - This drawing is conceptual and was prepared to show approximate location, arrangement, size and color of signage. It is subject to change and not intended to replace the use of construction documents and/or actual field dimensions.



SIGN(S) TO BE MANUFACTURED IN ACCORDANCE WITH ARTICLE 600 OF THE NATIONAL ELECTRICAL CODE AND/OR OTHER APPLICABLE LOCAL CODES. THIS INCLUDES PROPER GROUNDING AND BONDING OF THE SIGN(S). SIGN WILL BEAR UL LABEL(S)



Company Name	Project Name	Project Address	Project Details	Complete By	Customer Approval
SEXY <i>Steak</i>	Sexy Steak Detroit	1942 Grand River Ave, Detroit, MI 48226	Channel letter sign on raceway install on aluminum new awning.	Drawn By: AHMED Sales Rep: ALI Date: 11 / 29 /2023	Signature: _____ Date: / /2023

DISCLAIMER - This drawing is conceptual and was prepared to show approximate location, arrangement, size and color of signage. It is subject to change and not intended to replace the use of construction documents and/or actual field dimensions.

