

Unit Features

Ultimate Double Hung: UWDH

Ultimate Double Hung Transom: UWDH TR

Ultimate Double Hung Picture: UWDH P

Operating Hardware:

- Sash lock and keeper: Open style crescent cam lock with sash release lever, surface mounted. Color: Satin Taupe.
 - Optional Colors: White, Brass, Satin chrome, Antique Brass, Bronze, Oil Rubbed Bronze, Satin Nickel.
- Balance System: Block and tackle balance system.
- Optional Sash lift: same colors as offered in locks.
- Optional window opening control device field applied.

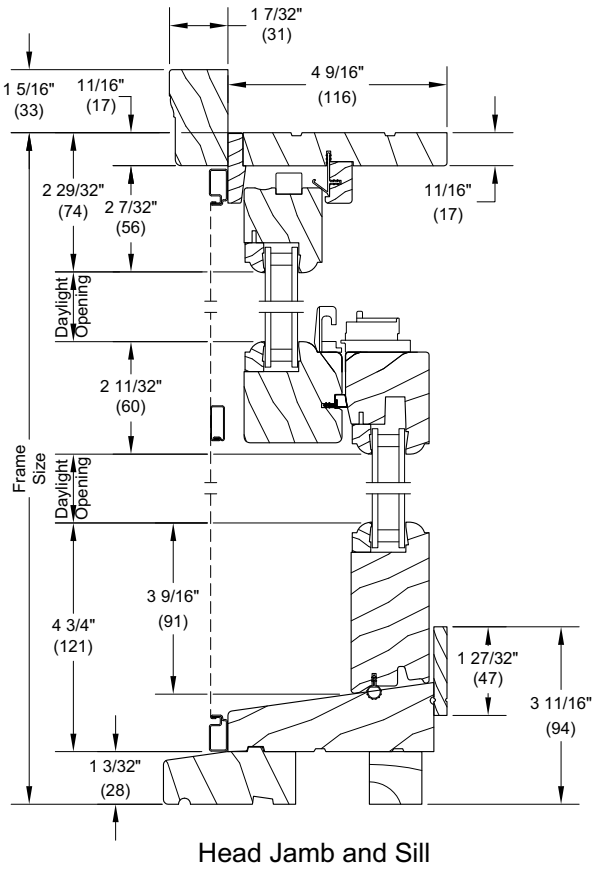
Glass and Glazing:

- Glazing seal: Silicone glazed
- Standard glass is Insulating Low E2 Argon or air
- Dual-pane insulating glass thickness: 11/16"
- Triple-pane insulating glass thickness: 7/8"
- Insulating Glass Coatings:
 - Low E1
 - Low E2
 - Low E3
 - Low ERS
 - Low ELR
- Gas Fill: Air or Argon
- Available glass types:
 - Laminated
 - Tempered
 - Obscure
 - Clear
- Tints
 - Bronze
 - Gray
 - Green
 - Reflective Bronze
- Decorative glass options:
 - Frost
 - Reed
 - Narrow Reed
 - Rain
 - Sandblasted
 - Glue Chip
- Glazing will be altitude adjusted for higher elevations with capillary tubes. Argon gas not included
- IZ3 has annealed exterior pane is default with the option to temper
- Egress may be affected when selecting specialty glass, please contact your Marvin representative
- For additional specialty glazing options, please contact your Marvin representatives.

Section Details: Operating

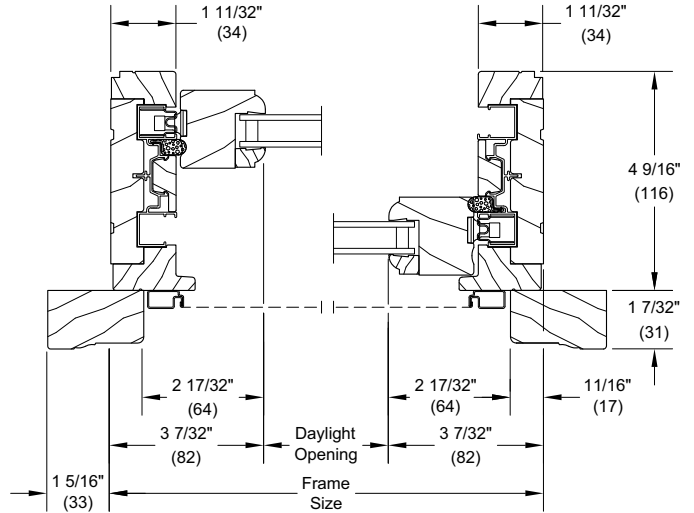
Scale: 3" = 1' 0"

Double Hung

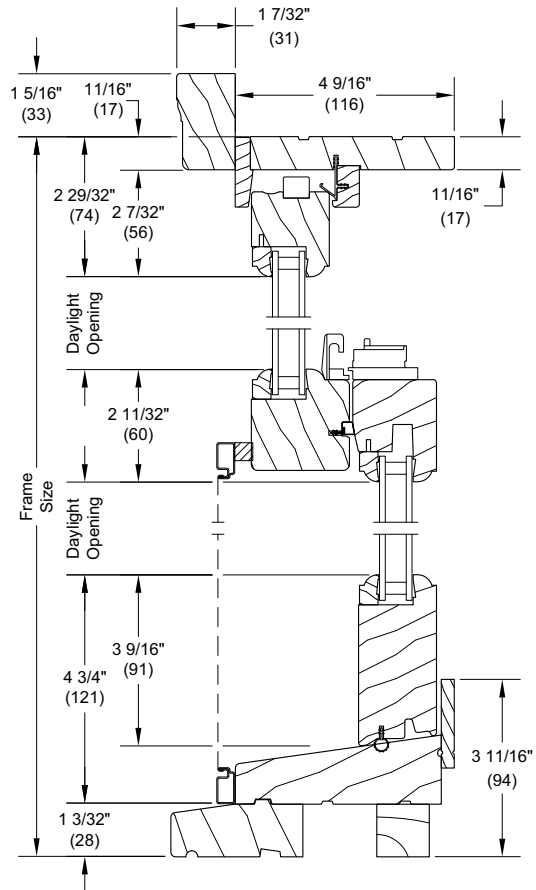


Lower Sash

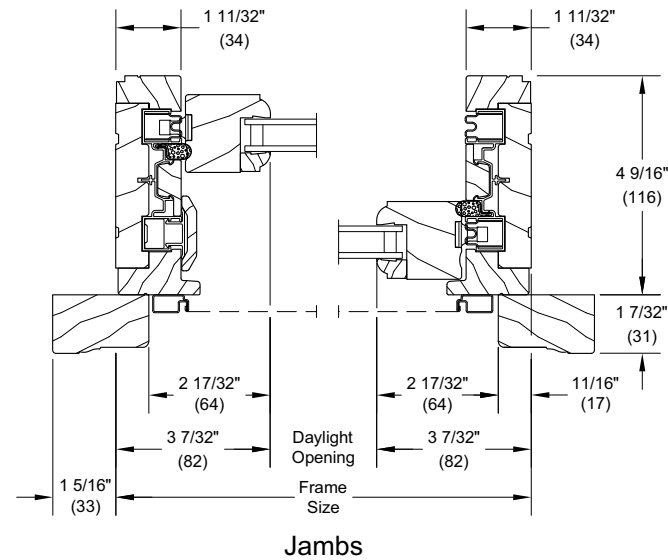
Upper Sash



Jambs



Single Hung

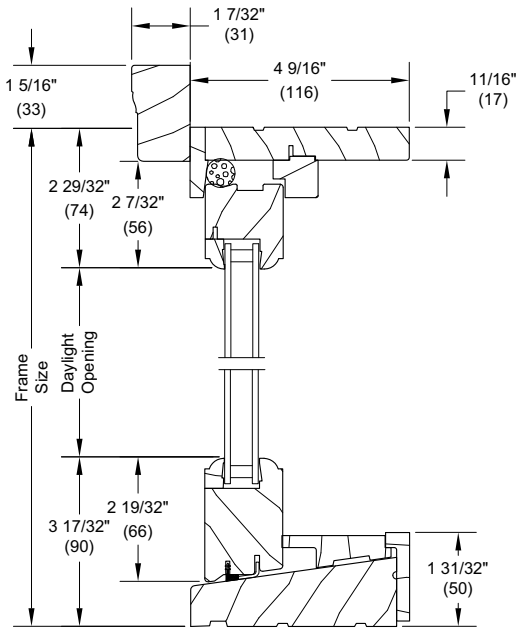


Head Jamb and Sill

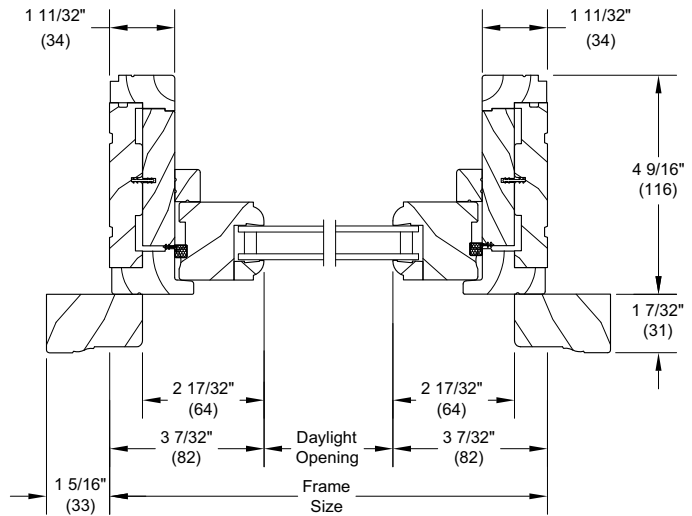
Section Details: 1 5/8" Transom/Picture

Scale: 3" = 1' 0"

1 5/8" Transom

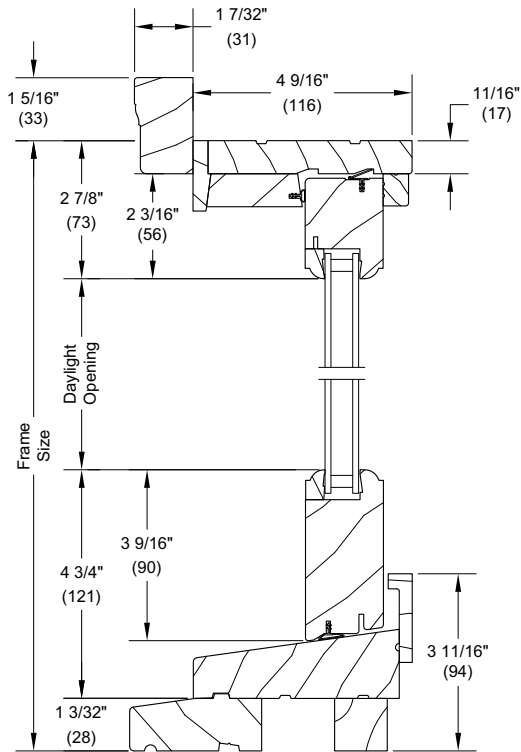


Head Jamb and Sill

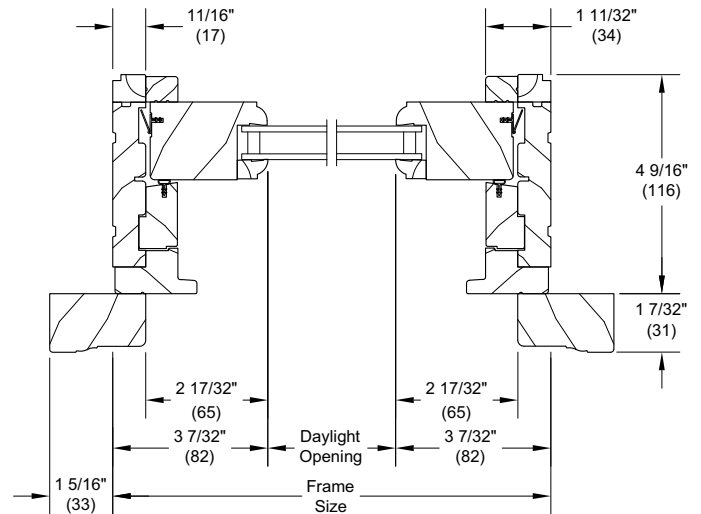


Jamb

1 5/8" Picture



Head Jamb and Sill

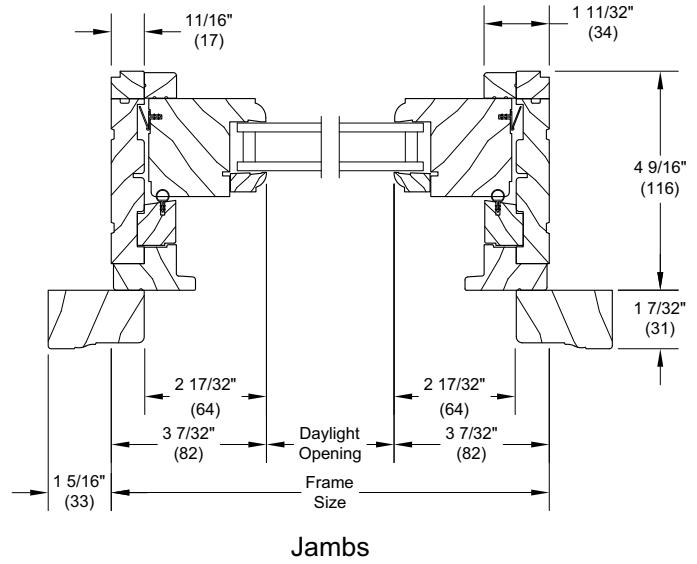
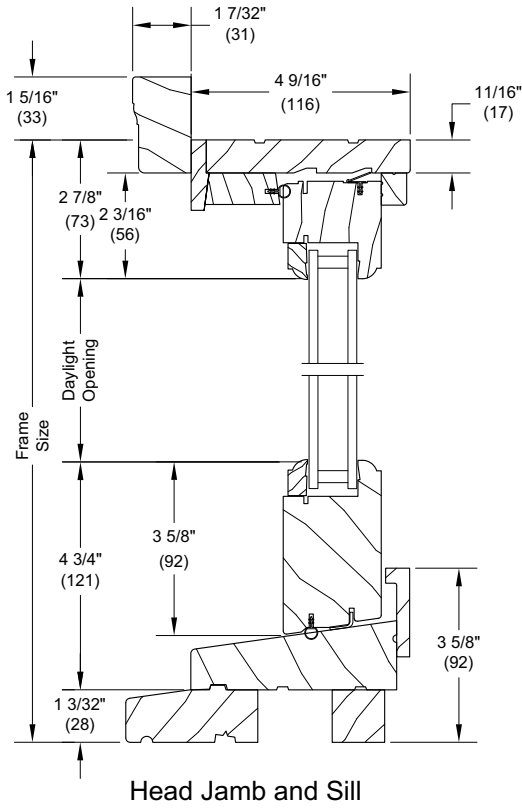


Jamb

Section Details: 2" Picture

Scale: 3" = 1' 0"

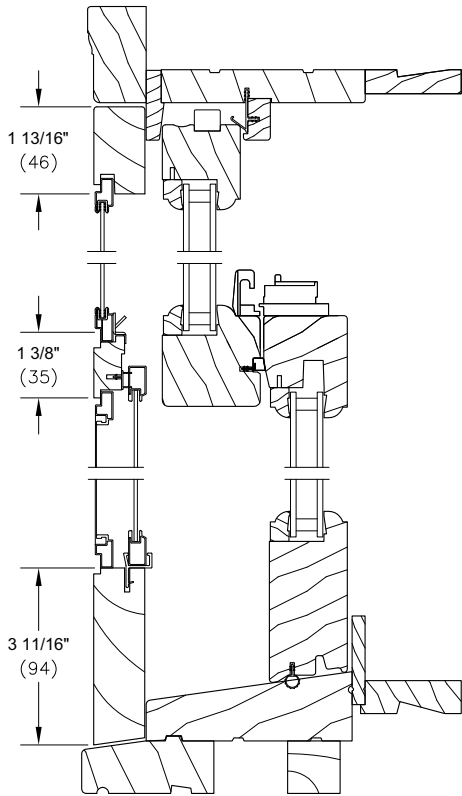
2" Picture



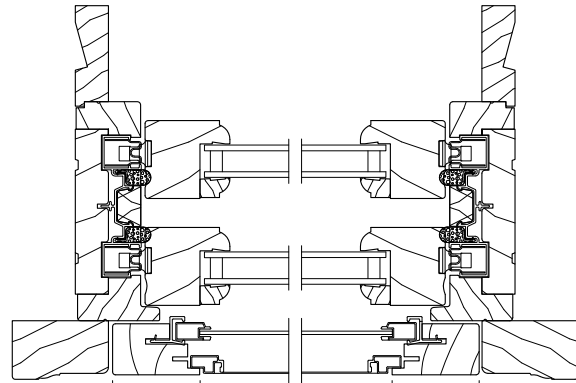
Section Details: Combination/Storm Sash

Scale: 3" = 1' 0"

Combination w/ 6 9/16"

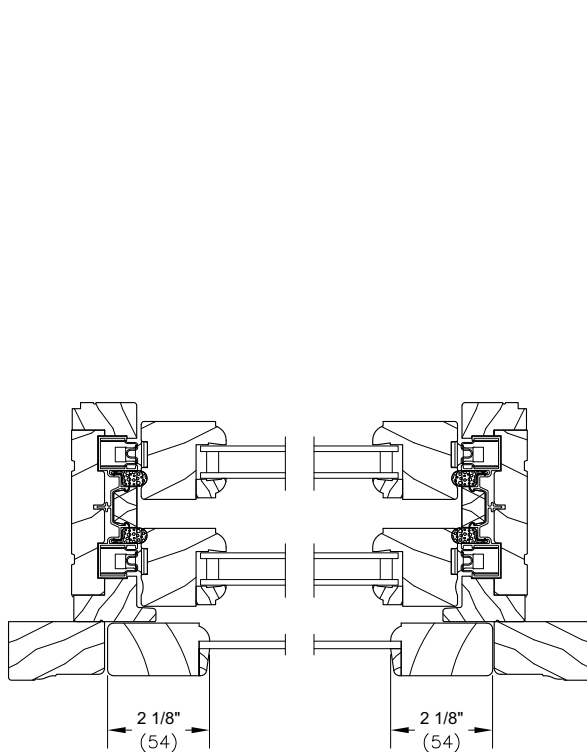


Head Jamb and Sill

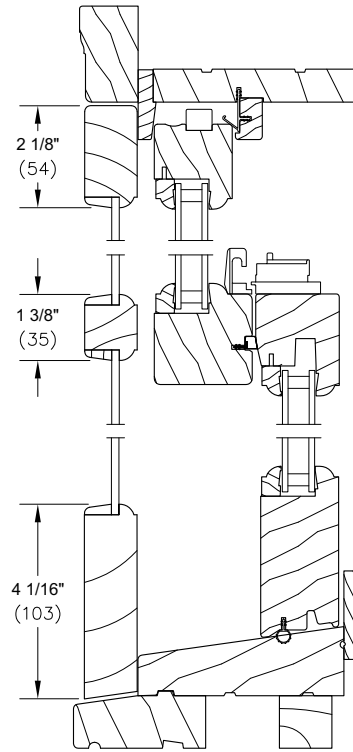


Jambs

Storm Sash



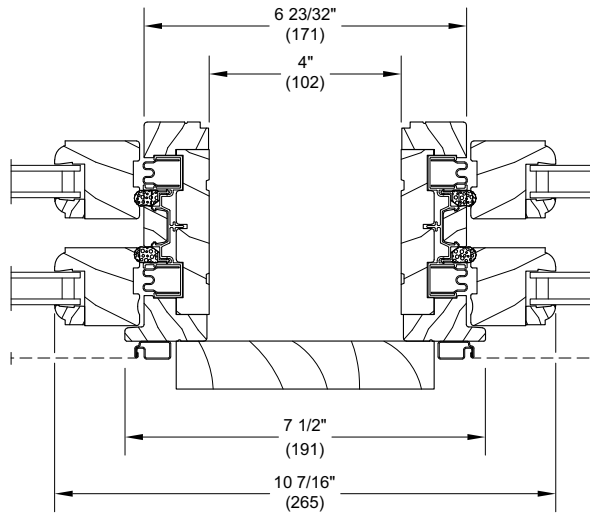
Jambs



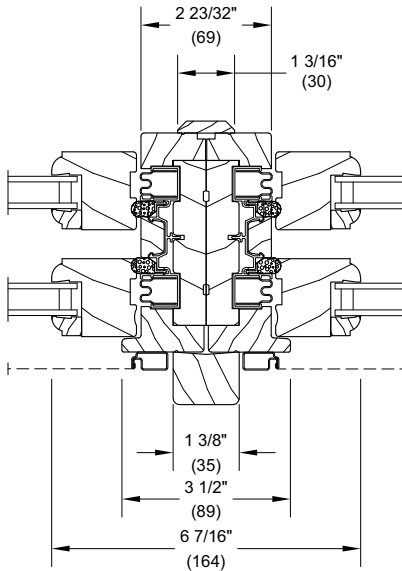
Head Jamb and Sill

Section Details: Mullions

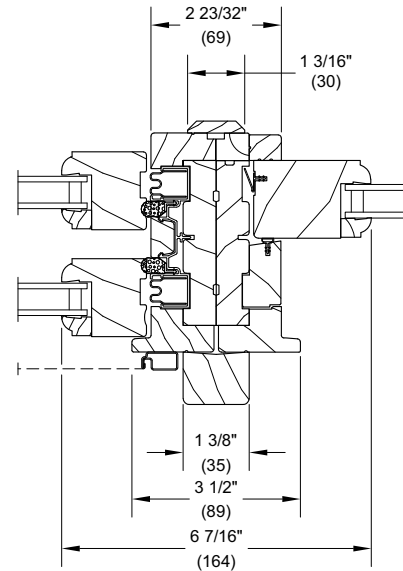
Scale: 3" - 1' 0"



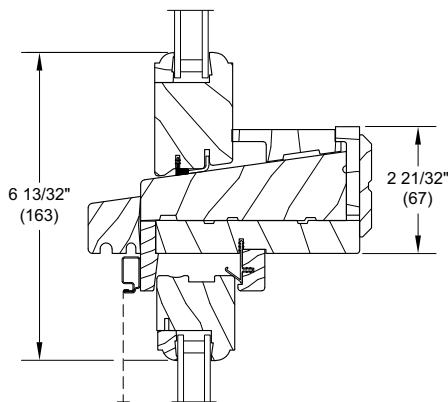
Vertical Mullion - with 4" Space Mull Operator/Operator



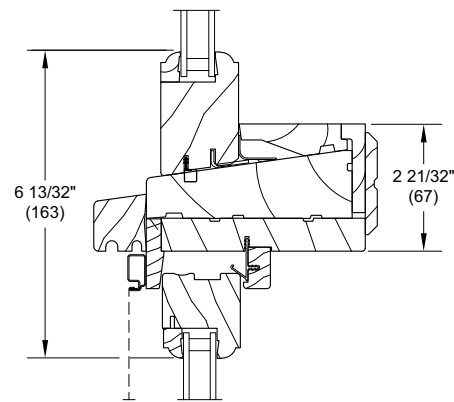
Vertical Mullion Operator/Operator/Direct Mull



Vertical Mullion Operator/Picture/Direct Mull



Transom mullied over UWDH



RT Transom mullied over UWDH

Daylight Measurements: Double Hung

| Ultimate Wood Double Hung Daylight Measurements | | | Width | | | | | | | | | | |
|---|------------|--------|-----------------------------|-----------|-------|-----------|-------|------------|-------|-----------|-------|-----------|-------|
| | | | CN | 16 | | 20 | | 24 | | 26 | | 28 | |
| | | | DLO | 1-2 15/16 | (379) | 1-6 15/16 | (481) | 1-10 15/16 | (583) | 2-0 15/16 | (633) | 2-2 15/16 | (684) |
| CN | DLO Height | | Square Feet (Square Meters) | | | | | | | | | | |
| 12 | 0-10 15/16 | (278) | 1.13 | (0.11) | 1.44 | (0.13) | 1.74 | (0.16) | 1.89 | (0.18) | 2.05 | (0.19) | |
| 14 | 1-0 15/16 | (329) | 1.34 | (0.12) | 1.70 | (0.16) | 2.06 | (0.19) | 2.24 | (0.21) | 2.42 | (0.22) | |
| 16 | 1-2 15/16 | (379) | 1.55 | (0.14) | 1.96 | (0.18) | 2.38 | (0.22) | 2.59 | (0.24) | 2.79 | (0.26) | |
| 18 | 1-4 15/16 | (430) | 1.76 | (0.16) | 2.23 | (0.21) | 2.70 | (0.25) | 2.93 | (0.27) | 3.17 | (0.29) | |
| 20 | 1-6 15/16 | (481) | 1.96 | (0.18) | 2.49 | (0.23) | 3.02 | (0.28) | 3.28 | (0.30) | 3.54 | (0.33) | |
| 22 | 1-8 15/16 | (532) | 2.17 | (0.20) | 2.75 | (0.26) | 3.33 | (0.31) | 3.63 | (0.34) | 3.92 | (0.36) | |
| 24 | 1-10 15/16 | (583) | 2.38 | (0.22) | 3.02 | (0.28) | 3.65 | (0.34) | 3.97 | (0.37) | 4.29 | (0.40) | |
| 26 | 2-0 15/16 | (633) | 2.59 | (0.24) | 3.28 | (0.30) | 3.97 | (0.37) | 4.32 | (0.40) | 4.66 | (0.43) | |
| 28 | 2-2 15/16 | (684) | 2.79 | (0.26) | 3.54 | (0.33) | 4.29 | (0.40) | 4.66 | (0.43) | 5.04 | (0.47) | |
| 30 | 2-4 15/16 | (735) | 3.00 | (0.28) | 3.81 | (0.35) | 4.61 | (0.43) | 5.01 | (0.47) | 5.41 | (0.50) | |
| 32 | 2-6 15/16 | (786) | 3.21 | (0.30) | 4.07 | (0.38) | 4.93 | (0.46) | 5.36 | (0.50) | 5.79 | (0.54) | |
| 34 | 2-8 15/16 | (837) | 3.42 | (0.32) | 4.33 | (0.40) | 5.25 | (0.49) | 5.70 | (0.53) | 6.16 | (0.57) | |
| 36 | 2-10 15/16 | (887) | 3.62 | (0.34) | 4.59 | (0.43) | 5.57 | (0.52) | 6.05 | (0.56) | 6.54 | (0.61) | |
| 40 | 3-2 15/16 | (989) | 4.04 | (0.38) | 5.12 | (0.48) | 6.20 | (0.58) | 6.74 | (0.63) | 7.28 | (0.68) | |
| 42 | 3-4 15/16 | (1040) | 4.25 | (0.39) | 5.38 | (0.50) | 6.52 | (0.61) | 7.09 | (0.66) | 7.66 | (0.71) | |

| Ultimate Wood Double Hung Daylight Measurements | | | Width | | | | | | | | |
|---|------------|--------|-----------------------------|-----------|-------|-----------|-------|------------|-------|-----------|-------|
| | | | CN | 30 | | 32 | | 36 | | 40 | |
| | | | DLO | 2-4 15/16 | (735) | 2-6 15/16 | (786) | 2-10 15/16 | (887) | 3-2 15/16 | (989) |
| CN | DLO Height | | Square Feet (Square Meters) | | | | | | | | |
| 12 | 0-10 15/16 | (278) | 2.20 | (0.20) | 2.35 | (0.22) | 2.65 | (0.25) | 2.96 | (0.27) | |
| 14 | 1-0 15/16 | (329) | 2.60 | (0.24) | 2.78 | (0.26) | 3.14 | (0.29) | 3.50 | (0.32) | |
| 16 | 1-2 15/16 | (379) | 3.00 | (0.28) | 3.21 | (0.30) | 3.62 | (0.34) | 4.04 | (0.38) | |
| 18 | 1-4 15/16 | (430) | 3.40 | (0.32) | 3.64 | (0.34) | 4.11 | (0.38) | 4.58 | (0.43) | |
| 20 | 1-6 15/16 | (481) | 3.81 | (0.35) | 4.07 | (0.38) | 4.59 | (0.43) | 5.12 | (0.48) | |
| 22 | 1-8 15/16 | (532) | 4.21 | (0.39) | 4.50 | (0.42) | 5.08 | (0.47) | 5.66 | (0.53) | |
| 24 | 1-10 15/16 | (583) | 4.61 | (0.43) | 4.93 | (0.46) | 5.56 | (0.52) | 6.20 | (0.58) | |
| 26 | 2-0 15/16 | (633) | 5.01 | (0.47) | 5.36 | (0.50) | 6.05 | (0.56) | 6.74 | (0.63) | |
| 28 | 2-2 15/16 | (684) | 5.41 | (0.50) | 5.79 | (0.54) | 6.54 | (0.61) | 7.28 | (0.68) | |
| 30 | 2-4 15/16 | (735) | 5.81 | (0.54) | 6.22 | (0.58) | 7.02 | (0.65) | 7.82 | (0.73) | |
| 32 | 2-6 15/16 | (786) | 6.22 | (0.58) | 6.65 | (0.62) | 7.51 | (0.70) | 8.37 | (0.78) | |
| 34 | 2-8 15/16 | (837) | 6.62 | (0.61) | 7.08 | (0.66) | 7.99 | (0.74) | 8.91 | (0.83) | |
| 36 | 2-10 15/16 | (887) | 7.02 | (0.65) | 7.51 | (0.70) | 8.48 | (0.79) | 9.45 | (0.88) | |
| 40 | 3-2 15/16 | (989) | 7.82 | (0.73) | 8.37 | (0.78) | 9.45 | (0.88) | N/A | | |
| 42 | 3-4 15/16 | (1040) | 8.23 | (0.76) | 8.79 | (0.82) | 9.93 | (0.92) | N/A | | |

NOTE: Daylight Opening square footage values are "per sash."

Daylight Measurements: Transom and Pictures

| Ultimate Wood Double Hung Transom Daylight Measurements | | | Width | | | | | | |
|---|------------------|--|-----------------------------|-----------------|-------------|-----------------|-------------|------------------|--|
| | | | CN | 16 | | 20 | | 24 | |
| | | | DLO | 1-2 15/16 (379) | | 1-6 15/16 (481) | | 1-10 15/16 (583) | |
| CN | DLO Height | | Square Feet (Square Meters) | | | | | | |
| 12 | 0-10 15/16 (278) | | 1.13 (0.11) | | 1.44 (0.13) | | 1.74 (0.16) | | |
| 20 | 1-6 15/16 (481) | | 1.96 (0.18) | | 2.49 (0.23) | | 3.02 (0.28) | | |

| Ultimate Wood Double Double Hung Transom Daylight Measurements | | | Width | | | | | | |
|--|------------------|--|-----------------------------|-----------------|-------------|-----------------|-------------|-----------------|--|
| | | | CN | 26 | | 28 | | 30 | |
| | | | DLO | 2-0 15/16 (633) | | 2-2 15/16 (684) | | 2-4 15/16 (735) | |
| CN | DLO Height | | Square Feet (Square Meters) | | | | | | |
| 12 | 0-10 15/16 (278) | | 1.89 (0.18) | | 2.05 (0.19) | | 2.20 (0.20) | | |
| 20 | 1-6 15/16 (481) | | 3.28 (0.30) | | 3.54 (0.33) | | 3.81 (0.35) | | |

| Ultimate Wood Double Double Hung Transom Daylight Measurements | | | Width | | | | | | |
|--|------------------|--|-----------------------------|-----------------|-------------|------------------|-------------|-----------------|--|
| | | | CN | 32 | | 36 | | 40 | |
| | | | DLO | 2-6 15/16 (786) | | 2-10 15/16 (887) | | 3-2 15/16 (989) | |
| CN | DLO Height | | Square Feet (Square Meters) | | | | | | |
| 12 | 0-10 15/16 (278) | | 2.35 (0.22) | | 2.65 (0.25) | | 2.96 (0.27) | | |
| 20 | 1-6 15/16 (481) | | 4.07 (0.38) | | 4.59 (0.43) | | 5.12 (0.48) | | |

| Ultimate Wood Double Hung Picture Daylight Measurements | | | Width | | | | | | | | | | | |
|---|----------------|--|-----------------------------|------------------|--------------|------------------|--------------|-------------------|--------------|------------------|--------------|------------------|--|--|
| | | | CN | 40 | | 48 | | 52 | | 60 | | 68 | | |
| | | | DLO | 2-10 15/16 (887) | | 3-6 15/16 (1091) | | 3-10 15/16 (1192) | | 4-6 15/16 (1395) | | 5-2 15/16 (1599) | | |
| CN | DLO Height | | Square Feet (Square Meters) | | | | | | | | | | | |
| 38 | 2-8 1/4 (819) | | 7.82 (0.73) | | 9.62 (0.89) | | 10.51 (0.98) | | 12.30 (1.14) | | 14.10 (1.31) | | | |
| 42 | 3-0 1/4 (921) | | 8.80 (0.82) | | 10.81 (1.00) | | 11.82 (1.10) | | 13.83 (1.28) | | 15.84 (1.47) | | | |
| 46 | 3-4 1/4 (1022) | | 9.77 (0.91) | | 12.00 (1.12) | | 13.12 (1.22) | | 15.36 (1.43) | | 17.59 (1.63) | | | |
| 50 | 3-8 1/4 (1124) | | 10.74 (1.00) | | 13.19 (1.23) | | 14.42 (1.34) | | 16.88 (1.57) | | 19.34 (1.80) | | | |
| 54 | 4-0 1/4 (1226) | | 11.71 (1.09) | | 14.39 (1.34) | | 15.73 (1.46) | | 18.41 (1.71) | | 21.09 (1.96) | | | |
| 58 | 4-4 1/4 (1327) | | 12.68 (1.18) | | 15.58 (1.45) | | 17.03 (1.58) | | 19.93 (1.85) | | 22.84 (2.12) | | | |
| 62 | 4-8 1/4 (1429) | | 13.65 (1.27) | | 16.77 (1.56) | | 18.34 (1.70) | | 21.46 (1.99) | | 24.59 (2.28) | | | |
| 66 | 5-0 1/4 (1530) | | 14.62 (1.36) | | 17.97 (1.67) | | 19.64 (1.82) | | 22.99 (2.14) | | 26.33 (2.45) | | | |
| 70 | 5-4 1/4 (1632) | | 15.59 (1.45) | | 19.16 (1.78) | | 20.94 (1.95) | | 24.51 (2.28) | | 28.08 (2.61) | | | |
| 74 | 5-8 1/4 (1734) | | 16.56 (1.54) | | 20.35 (1.89) | | 22.25 (2.07) | | 26.04 (2.42) | | 29.83 (2.77) | | | |
| 78 | 6-0 1/4 (1835) | | 17.53 (1.63) | | 21.54 (2.00) | | 23.55 (2.19) | | 27.56 (2.56) | | 31.58 (2.93) | | | |
| 86 | 6-8 1/4 (2038) | | 19.47 (1.81) | | 23.93 (2.22) | | 26.16 (2.43) | | 30.62 (2.84) | | 35.07 (3.26) | | | |
| 90 | 7-0 1/4 (2140) | | 20.44 (1.90) | | 25.12 (2.33) | | 27.46 (2.55) | | 32.14 (2.99) | | 36.82 (3.42) | | | |

Measurement Conversions

| Double Hung Operating Unit | | | | | | |
|----------------------------|-------------------|-----------|-----------|--------|-----------|-----------|
| Unit Measurements | | Width | | Height | | |
| From | To | | | | | |
| Rough Opening | | in | mm | | in | mm |
| OM of Frame | Rough Opening | + 1 | (25) | | + 1/2 | (13) |
| Masonry Opening w/BMC | Rough Opening | -2 1/8 | (54) | | -1 1/16 | (27) |
| Top Sash | | in | mm | | in | mm |
| OM of Frame | OM of Top Sash | -2 29/32 | (74) | + 2 | -1 11/16 | (43) |
| Bottom Sash | | in | mm | | in | mm |
| OM of Frame | OM of Bottom Sash | -2 29/32 | (74) | + 2 | + 1/8 | (03) |
| Glass | | in | mm | | in | mm |
| Daylight Opening | Glass | + 1 1/16 | (27) | | + 1 1/16 | (27) |
| Screen | | in | mm | | in | mm |
| OM of Frame | OM of Screen | -1 1/2 | (38) | | -1 7/8 | (48) |
| Daylight Opening | OM of Screen | + 4 15/16 | (125) | × 2 | + 9 9/32 | (236) |
| Half Screen | | in | mm | | in | mm |
| OM of Frame | OM of Screen | -1 1/2 | (38) | + 2 | + 1/4 | (06) |
| Daylight Opening | OM of Screen | + 4 15/16 | (125) | | + 5 13/16 | (148) |
| Combination | | in | mm | | in | mm |
| OM of Frame | OM of Combination | -1 1/2 | (38) | | -1 11/16 | (43) |
| Daylight Opening | OM of Combination | + 4 15/16 | (125) | × 2 | + 9 7/16 | (240) |

NOTE: The following formula will properly size a standard cottage style double hung:

Formula

1. Select the standard size double hung that will fit the rough opening
2. Add the top and the bottom glass heights together
3. Divide the total glass height by the ration of the top sash
4. Round to the nearest standard glass height
5. Subtract from the total glass height

Example

1. UWDH with a 2/5 - 3/5 cottage style. If the rough opening is 2'-6 3/8" x 4'-8 7/8" (RO for a UWDH 2424)
2. 24" + 24" = 48"
3. 48" divide by 2/5 (0.4) = 19 13/64 (20)
4. 48" - 20" = 28"

The top sash will be a 2420 and the bottom sash will be a 2428. The call number for the example is: UWDH 2420/28.

Measurement Conversions

| Double Hung Transoms with Subsill | | | | | |
|-----------------------------------|---------------|-----------|-----------|-----------|-----------|
| Unit Measurements | | Width | | Height | |
| From | To | | | | |
| Rough Opening | | in | mm | in | mm |
| OM of Frame | Rough Opening | + 1 | (25) | + 1/2 | (13) |
| Masonry Opening w/BMC | Rough Opening | -2 1/8 | (54) | -1 1/16 | (27) |
| Sash | | in | mm | in | mm |
| OM of Frame | OM of Sash | -2 29/32 | (74) | -2 1/8 | (54) |
| Daylight Opening | OM of Sash | + 3 17/32 | (90) | + 4 11/32 | (110) |
| Glass | | in | mm | in | mm |
| Daylight Opening | Glass | + 1 1/16 | (27) | + 1 1/16 | (27) |

| Double Hung Picture | | | | | |
|-----------------------|---------------|-----------|-----------|-----------|-----------|
| Unit Measurements | | Width | | Height | |
| From | To | | | | |
| Rough Opening | | in | mm | in | mm |
| OM of Frame | Rough Opening | + 1 | (25) | + 1/2 | (13) |
| Masonry Opening w/BMC | Rough Opening | -2 1/8 | (54) | -1 1/16 | (27) |
| Sash | | in | mm | in | mm |
| OM of Frame | OM of Sash | -1 9/16 | (40) | -3 3/32 | (79) |
| Daylight Opening | OM of Sash | + 4 7/8 | (124) | + 5 21/32 | (144) |
| Glass | | in | mm | in | mm |
| Daylight Opening | Glass | + 1 1/16 | (27) | + 1 1/16 | (27) |

Egress Formulas for Double Hung

Clear Opening:

- Clear Opening Width = Frame OM Width - 5 1/2" (140)

Units with Standard Sill Liner

- Clear Opening Height = (Frame OM Height* / 2) - 6 3/8" (162)

Units with High Performance Sill Liner

- Clear Opening Height = (Frame OM Height* / 2) - 7 1/4" (184)

*including subsill

Vent Opening

- Vent Opening Width = Jamb to Jamb Width
- Vent Opening Height = Top of sill liner to btm of btm sash fully opened
- Vent Width * Vent Height / 144

Standard Unit Measurements: Double Hung

| Standard Double Hung Unit Measurements | | | | | | | | |
|--|-----------------|--------|---------------|--------|------------|--------|------------------|-------|
| Width | | | | | | | | |
| CN | Masonry Opening | | Rough Opening | | Frame Size | | Daylight Opening | |
| | ft - in | mm | ft - in | mm | ft - in | mm | ft - in | mm |
| 16 | 2-0 1/2 | (622) | 1-10 3/8 | (568) | 1-9 3/8 | (543) | 1-2 15/16 | (379) |
| 20 | 2-4 1/2 | (724) | 2-2 3/8 | (670) | 2-1 3/8 | (645) | 1-6 15/16 | (481) |
| 24 | 2-8 1/2 | (826) | 2-6 3/8 | (772) | 2-5 3/8 | (746) | 1-10 15/16 | (583) |
| 26 | 2-10 1/2 | (876) | 2-8 3/8 | (822) | 2-7 3/8 | (797) | 2-0 15/16 | (633) |
| 28 | 3-0 1/2 | (927) | 2-10 3/8 | (873) | 2-9 3/8 | (848) | 2-2 15/16 | (684) |
| 30 | 3-2 1/2 | (978) | 3-0 3/8 | (924) | 2-11 3/8 | (899) | 2-4 15/16 | (735) |
| 32 | 3-4 1/2 | (1029) | 3-2 3/8 | (975) | 3-1 3/8 | (949) | 2-6 15/16 | (786) |
| 36 | 3-8 1/2 | (1130) | 3-6 3/8 | (1076) | 3-5 3/8 | (1051) | 2-10 15/16 | (887) |
| 40 | 4-0 1/2 | (1232) | 3-10 3/8 | (1178) | 3-9 3/8 | (1153) | 3-2 15/16 | (989) |

| Standard Double Hung Unit Measurements | | | | | | | | |
|--|-----------------|--------|---------------|--------|------------------------|--------|------------------|--------|
| Height | | | | | | | | |
| CN | Masonry Opening | | Rough Opening | | Frame Size (w/subsill) | | Daylight Opening | |
| | ft - in | mm | ft - in | mm | ft-in | mm | ft - in | mm |
| 12 | 2-10 9/16 | (878) | 2-9 1/2 | (851) | 2-9 | (838) | 0-10 15/16 | (278) |
| 14 | 3-2 9/16 | (980) | 3-1 1/2 | (953) | 3-1 | (940) | 1-0 15/16 | (329) |
| 16 | 3-6 9/16 | (1081) | 3-5 1/2 | (1054) | 3-5 | (1041) | 1-2 15/16 | (379) |
| 18 | 3-10 9/16 | (1183) | 3-9 1/2 | (1156) | 3-9 | (1143) | 1-4 15/16 | (430) |
| 20 | 4-2 9/16 | (1284) | 4-1 1/2 | (1257) | 4-1 | (1245) | 1-6 15/16 | (481) |
| 22 | 4-6 9/16 | (1386) | 4-5 1/2 | (1359) | 4-5 | (1346) | 1-8 15/16 | (532) |
| 24 | 4-10 9/16 | (1488) | 4-9 1/2 | (1461) | 4-9 | (1448) | 1-10 15/16 | (583) |
| 26 | 5-2 9/16 | (1589) | 5-1 1/2 | (1562) | 5-1 | (1549) | 2-0 15/16 | (633) |
| 28 | 5-6 9/16 | (1691) | 5-5 1/2 | (1664) | 5-5 | (1651) | 2-2 15/16 | (684) |
| 30 | 5-10 9/16 | (1792) | 5-9 1/2 | (1765) | 5-9 | (1753) | 2-4 15/16 | (735) |
| 32 | 6-2 9/16 | (1894) | 6-1 1/2 | (1867) | 6-1 | (1854) | 2-6 15/16 | (786) |
| 34 | 6-6 9/16 | (1996) | 6-5 1/2 | (1969) | 6-5 | (1956) | 2-8 15/16 | (837) |
| 36 | 6-10 9/16 | (2097) | 6-9 1/2 | (2070) | 6-9 | (2057) | 2-10 15/16 | (887) |
| 40 | 7-6 9/16 | (2300) | 7-5 1/2 | (2273) | 7-5 | (2261) | 3-2 15/16 | (989) |
| 42 | 7-10 9/16 | (2402) | 7-9 1/2 | (2375) | 7-9 | (2362) | 3-4 15/16 | (1040) |

Standard Unit Measurements: Transom/Picture

| Standard Double Hung Transom Unit Measurements | | | | | | | | |
|--|-----------------|--------|---------------|--------|------------|--------|------------------|-------|
| Width | | | | | | | | |
| CN | Masonry Opening | | Rough Opening | | Frame Size | | Daylight Opening | |
| | ft - in | mm | ft - in | mm | ft - in | mm | ft - in | mm |
| 16 | 2-0 1/2 | (622) | 1-10 3/8 | (568) | 1-9 3/8 | (543) | 1-2 15/16 | (379) |
| 20 | 2-4 1/2 | (724) | 2-2 3/8 | (670) | 2-1 3/8 | (645) | 1-6 15/16 | (481) |
| 24 | 2-8 1/2 | (826) | 2-6 3/8 | (772) | 2-5 3/8 | (746) | 1-10 15/16 | (583) |
| 26 | 2-10 1/2 | (876) | 2-8 3/8 | (822) | 2-7 3/8 | (797) | 2-0 15/16 | (633) |
| 28 | 3-0 1/2 | (927) | 2-10 3/8 | (873) | 2-9 3/8 | (848) | 2-2 15/16 | (684) |
| 30 | 3-2 1/2 | (978) | 3-0 3/8 | (924) | 2-11 3/8 | (899) | 2-4 15/16 | (735) |
| 32 | 3-4 1/2 | (1029) | 3-2 3/8 | (975) | 3-1 3/8 | (949) | 2-6 15/16 | (786) |
| 36 | 3-8 1/2 | (1130) | 3-6 3/8 | (1076) | 3-5 3/8 | (1051) | 2-10 15/16 | (887) |
| 40 | 4-0 1/2 | (1232) | 3-10 3/8 | (1178) | 3-9 3/8 | (1153) | 3-2 15/16 | (989) |

| Standard Double Hung Transom Unit Measurements | | | | | | | | |
|--|-----------------|-------|---------------|-------|-------------------------|-------|------------------|-------|
| Height | | | | | | | | |
| CN | Masonry Opening | | Rough Opening | | Frame Size (no subsill) | | Daylight Opening | |
| | ft - in | mm | ft - in | mm | ft - in | mm | ft - in | mm |
| 12 | 1-6 15/16 | (481) | 1-5 7/8 | (454) | 1-5 3/8 | (441) | 0-10 15/16 | (278) |
| 20 | 2-2 15/16 | (684) | 2-1 7/8 | (657) | 2-1 3/8 | (645) | 1-6 15/16 | (481) |

| Standard Double Hung Picture Unit Measurements | | | | | | | | |
|--|-----------------|--------|---------------|--------|------------|--------|------------------|--------|
| Width | | | | | | | | |
| CN | Masonry Opening | | Rough Opening | | Frame Size | | Daylight Opening | |
| | ft - in | mm | ft - in | mm | ft - in | mm | ft - in | mm |
| 40 | 3-8 1/2 | (1130) | 3-6 3/8 | (1076) | 3-5 3/8 | (1051) | 2-10 15/16 | (887) |
| 48 | 4-4 1/2 | (1334) | 4-2 3/8 | (1280) | 4-1 3/8 | (1254) | 3-6 15/16 | (1091) |
| 52 | 4-8 1/2 | (1435) | 4-6 3/8 | (1381) | 4-5 3/8 | (1356) | 3-10 15/16 | (1192) |
| 60 | 5-4 1/2 | (1638) | 5-2 3/8 | (1584) | 5-1 3/8 | (1559) | 4-6 15/16 | (1395) |
| 68 | 6-0 1/2 | (1842) | 5-10 3/8 | (1788) | 5-9 3/8 | (1762) | 5-2 15/16 | (1599) |

| Standard Double Hung Picture Unit Measurements | | | | | | | | |
|--|-----------------|--------|---------------|--------|------------------------|--------|------------------|--------|
| Height | | | | | | | | |
| CN | Masonry Opening | | Rough Opening | | Frame Size (w/subsill) | | Daylight Opening | |
| | ft - in | mm | ft - in | mm | ft - in | mm | ft - in | mm |
| 38 | 3-6 9/16 | (1081) | 3-5 1/2 | (1054) | 3-5 | (1041) | 2-8 1/4 | (819) |
| 42 | 3-10 9/16 | (1183) | 3-9 1/2 | (1156) | 3-9 | (1143) | 3-0 1/4 | (921) |
| 46 | 4-2 9/16 | (1284) | 4-1 1/2 | (1257) | 4-1 | (1245) | 3-4 1/4 | (1022) |
| 50 | 4-6 9/16 | (1386) | 4-5 1/2 | (1359) | 4-5 | (1346) | 3-8 1/4 | (1124) |
| 54 | 4-10 9/16 | (1488) | 4-9 1/2 | (1461) | 4-9 | (1448) | 4-0 1/4 | (1226) |
| 58 | 5-2 9/16 | (1589) | 5-1 1/2 | (1562) | 5-1 | (1549) | 4-4 1/4 | (1327) |
| 62 | 5-6 9/16 | (1691) | 5-5 1/2 | (1664) | 5-5 | (1651) | 4-8 1/4 | (1429) |
| 66 | 5-10 9/16 | (1792) | 5-9 1/2 | (1765) | 5-9 | (1753) | 5-0 1/4 | (1530) |
| 70 | 6-2 9/16 | (1894) | 6-1 1/2 | (1867) | 6-1 | (1854) | 5-4 1/4 | (1632) |
| 74 | 6-6 9/16 | (1996) | 6-5 1/2 | (1969) | 6-5 | (1956) | 5-8 1/4 | (1734) |
| 78 | 6-10 9/16 | (2097) | 6-9 1/2 | (2070) | 6-9 | (2057) | 6-0 1/4 | (1835) |
| 86 | 7-6 9/16 | (2300) | 7-5 1/2 | (2273) | 7-5 | (2261) | 6-8 1/4 | (2038) |
| 90 | 7-10 9/16 | (2402) | 7-9 1/2 | (2375) | 7-9 | (2362) | 7-0 1/4 | (2140) |