

NOTE: Based on the scope of work, additional documentation may be required. See www.detroitmi.gov/hdc for scope-specific requirements.

PROJECT DETAILS – TELL US ABOUT YOUR PROJECT

Instructions: Add project details using the text box in each section. If your details exceed the space provided, attach the details via the attachment icon for that section.

ePLANS PERMIT NUMBER:

(only applicable if you've already applied for permits through ePLANS)

N/A

GENERAL

1. DESCRIPTION OF EXISTING CONDITION

Please tell us about the current appearance and conditions of the areas you want to change. You may use a few sentences or attach a separate prepared document on the right. (For example, "existing roof on my garage is covered in gray asphalt shingles in poor condition.")

Existing roof is covered with 3-Tab asphalt shingles in poor condition. Existing Mansory front Porch is damaged. Existing rear wood deck in poor condition and its missing parts. Existing wood windows are in poor condition. Existing garage vinyl siding in poor shape. Existing wood window trims have warped and poor condition. Basement foundation wall is peeling off paint. Existing wood soffits boards and Fascias have warped due the water and are in poor shape.



2. PHOTOGRAPHS

Help us understand your project. Please attach photographs of all areas where work is proposed.



3. DESCRIPTION OF PROJECT

In this box, tell us about what you want to do at the areas described above in box #1. (For example, Install new asphalt shingle roofing at garage.)

Install New 3-Tab asphalt shingle roofing at house area.
Existing Mansory front Porch to be renovated, repair and tuckpointed as required. Existing rear wood deck to be renovated and install new handrails and railing.
Existing window to be clean and seal. Damaged wood windows will be replaced with wood frame/alum clad windows (application submittals by contractor). New aluminum window trim



4. DETAILED SCOPE OF WORK

In this box, please describe all steps necessary to complete the work described in box #3. (For example, "remove existing shingles, replace wood deck as necessary, replace wood eaves, install roof vents, replace rotted fascia boards, paint, clean worksite.")

Existing Mansory paint to be scraped and painted. Repair and tuckpointed as required. Concrete slab to be patched and cracks to be filled as required. Front Masonry porch to be painted. Remove existing roof, replace damaged sheathing, install new asphalt shingles, and replace damaged fascia boards and replaced with aluminum soffit board Existing window openings that were previously opened to be closed to follow original windows location and dimension. Install new Westchester double hung windows. (contractor will be submit application for permit)
Block columns and walls to be repaired and tuckpointed as required. Paint existing aluminum exterior window trims and cover existing wood trims with aluminum trim to match existing.





5. BROCHURES/CUT SHEETS

Please provide information on the products or materials you are proposing to install. For example, a brochure on the brand and color of the shingles proposed.



ADDITIONAL DETAILS

<p>6. WINDOWS/DOORS <i>Detailed photographs of window(s) and/or door(s) proposed for replacement showing the condition of the interior and exterior of the window(s) and/or door(s)</i></p>	
<p>8. SITE IMPROVEMENTS <i>If site improvements are proposed, please provide any relevant site improvement plans pertaining to your project.</i></p>	

























COLOR SYSTEM B



A:1 Yellowish Gray
MS: 2.5Y 8/2



B:10 Grayish Green
MS: 10G 5/2



B:6 Moderate Brown
MS: 7.5YR 4/4



B:19 Black
MS: N 0.5/



COLOR SYSTEM B



A:1 Yellowish Gray
MS: 2.5Y 8/2



A:9 Moderate Reddish Brown
MS: 7.5R 3/6



B:6 Moderate Brown
MS: 7.5YR 4/4





Beauty

HGI Entry Systems will add an element of beauty which will be enjoyed by you, the homeowner, as well as every visitor who comes to your door. Lovely stained and painted finishes will highlight the myriad of decorative glass and unique hardware options. Your new front door will add charm, curb appeal and value to your home.

Strength

All HGI Steel Entry Systems are built using an all-steel construction 22 gauge door which is 33% heavier than competitors doors for security and durability. All HGI FiberStar Entry Doors are constructed with state-of-the-art technology. Laminated composite rails and high impact skins yield outstanding strength and durability.

Safety

The safety of your home and family is always first. HGI doors offer such features as an 18 gauge steel frame, deadbolt, security plates and tempered safety glass. Our steel edge door has over ten times the strength of a wood edge door to protect against forced entry.

Energy Savings

HGI doors will insulate better than many walls with a R rating of 15.1. In layman's terms, our door is the best in the industry at keeping the inside in and the outside out. Windows and doors represent the biggest energy loss in most homes. Allow a beautiful HGI door to save you money.

HGI 101 : How To Build A Door

You are four easy steps away from a new entranceway for your home.



1

Select a HOME GUARD® door style from the 24 unique families of glass and doors styles.



2

Choose from our seventeen decorator colors or seven hand applied stain finishes for the inside and outside of your new entry door.



3

Select a knob, lever or handleset (even keyless!) from the many styles and finishes offered to compliment your door.



4

Add functionality with a peepsite, knocker, kickplate or magazine slot. Add strength and beauty with our exclusive HGI Cladwrap or Timberframe door frame options.



Lifetime & Beyond Warranty

Like the Amish artisans that live and work near the Home Guard factory in Grabill, Indiana, we too craft each door one at a time. We are proud to offer a Lifetime & Beyond Limited Warranty on All Home Guard Entry Doors. Our exclusive transferable warranty gives peace-of-mind protection against warping, delamination and twisting of door slab for as long as you own the door...and beyond. Please see our Warranty Card for details.

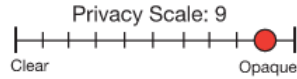
Table of Contents

Introducing HGI/Where to Begin.....2	Madison Collection.....14	Blinds Collection22
Ironwood Steel Door Features.....3	Paris Collection14	Perspectives Collection23
FiberStar Fiberglass Door Features4	Heirlooms Collection.....15	Retro Collection24
Shaker Series/Roundtop Doors.....5	Windsor Collection.....15	American Homes Series25
Signature Series: Door Styles6	Radiant Hues Collection.....16	French Doors.....26
Signature Series: Stains/Grains.....7	Majestic Elegance Collection16	Sliding Patio Doors26
Signature Series: Craftsman/Plank.....8	Oak Park Collection.....17	Pro Match Color Options27
Signature Series: Specialty Doors9	Grace Collection.....17	Stain Options27
Cobbleston Collection10	Bristol Collection.....18	Baldwin/Keyless Hardware28
Dutch Craft Collection.....10	Mohave Collection18	Schlage Hardware29
Lazarus Collection11	Private Lites Collection19	Specialty Hardware.....30
Leland Collection11	Lasting Impressions19	Exclusive Features31
Lexington Collection12	Greenfield Collection20	AlumiWeld Welded Storm Doors.....32
Ovation Collection.....12	Expressions Collecction20	AlumiWeld Welded Storm Doors.....33
Cadence Collection13	Topaz Collection21	AlumiWeld Entry Shield Features34
Nouveau Collection13	Entropy Collection.....21	AlumiWeld Luma-Stain Options35
	Savannah Patio Doors.....22	Additional HGI Products36



Private Lites

The Private Lites Series features two glass styles from which to choose: Textured Rainglass or Micro Granite. Either choice will add beauty to any door, interior or exterior, while affording the ultimate privacy.



Doors are shown with Textured Rainglass. All styles listed below are available in Textured Rainglass. Styles denoted with * are also available in Micro Granite.



Textured Rainglass



Micro Granite



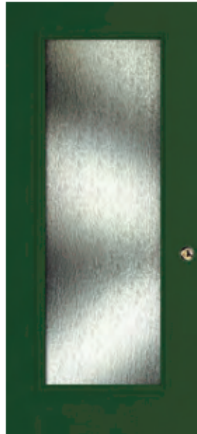
SWPL-1*



NPL-13



S836PL-12*



FPL-2*
SSFPL52*
(C,O,M)



FPLSL-29*
SSFPLSL-52*
(C,O,M)



FPL48-17*
SSFPL48-56*
(C,M)



FPL48SL-34*
SSFPL48SL-56*
(C,M)



SPL-7*
SSSPL-49*
(C,O,M)



SPLSL-26*
SSSPLSL-49*
(C,O,M)



Pro Match Color System

Color and Stain Options

With our exclusive HGI Pro Match Color System, you can have an exact match between Entry Doors, Windows, Patio Doors, Clad Wrap and ten Solid Storm Door colors.

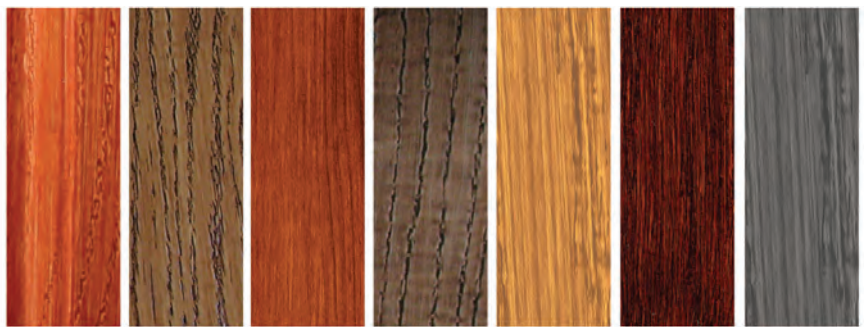
Most Home Guard steel and fiberglass entry doors are available in an optional embossed woodgrain for the ultimate wood look finish. All steel doors are zinc-galvanized, primed and painted with a baked-on, high quality exterior paint. Of course, all HGI doors come with our exclusive seven year finish warranty.



All colors marked "*" are Pro-Match colors.

7 Year Finish Warranty

The wood grain embossed doors can also be stained with one of our seven hand-rubbed finishes and sealed with Home Guard's exclusive GuardCoat.® Choose from one of the beautiful stains below or combine solid color on one side and stain on the other. Whichever you choose, your finish is backed by our exclusive 7 Year Finish Warranty.



Rose Wood Colonial Oak Cherry English Walnut Harvest Gold Mahogany Mystic Harbor

Colors shown are reproduced by the lithographic process and may vary from actual color. Please ask your dealer for the official Home Guard Pro-Match Color Chart for a more accurate representation of color.

PERSPECTIVES

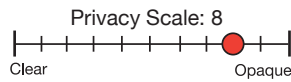
Textured Doorglass

Views and textures from around the world led to this diverse collection of privacy glass styles for your entry door.



Cumulus

Whether soft wisps of clouds or a 30,000-foot view of mountainous terrain, Cumulus takes a view from afar and brings it down to earth in your entryway door. Cumulus glass offers a high privacy level as well.



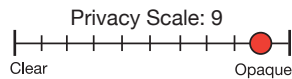
FCMS-2
SSFCMS-53
(C,O,M)

FCMSSL-29
SSFCMSSL-53
(C,O,M)



Linen

Reminiscent of a soft linen shirt or an elegantly embroidered linen tablecloth, Linen's lightly etched glass and woven pattern complement casual or formal entryway designs. The translucent white glass and soft moire of Linen's threads give it a high privacy level.



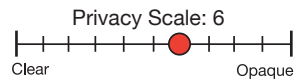
FLNN-3
SSFLNN-53
(C,O,M)

FLNNSL-29
SSFLNNSL-53
(C,O,M)



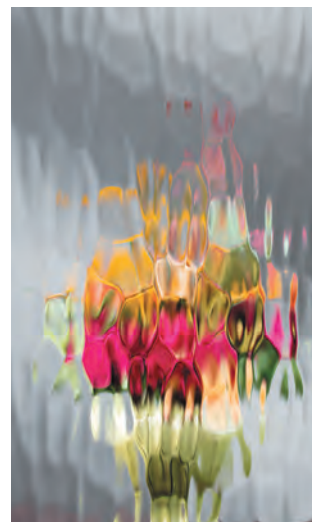
Vapor

Finding inspiration in the majestic Northern Lights, Vapor glass creates an ethereal play of light and shadow, providing a medium level of privacy for your entryway.



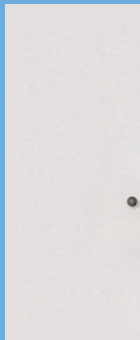
FVPR-4
SSFVPR-53
(C,O,M)

FVPRSL-29
SSFVPRSL-53
(C,O,M)



American Home Series

To let the sun shine through, choose clear glass for these traditional door styles. For privacy, many American Home style doors may be available as a Privacy Lite (Textured Rainglass or Micro-Granite glass). Please contact your HGI Inside Sales Representative for availability and pricing.



F1-21***



S1-23
SSS1-59
(C,O,M)



N1-21



HDAT1-21



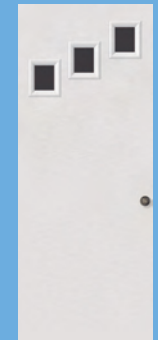
F648-25



E1-21***



S2-25



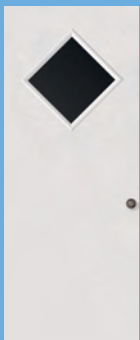
F4-24***



S4-24



NCL-25



F2-21***



QAEL-24

Most
HOME GUARD®
American Home
Series™ Doors
with glass are provided
with external high
performance grids.
All glass units
are tempered
safety glass with
warm edge
spacer systems.
All glass frames are high
performance thermal
composite material
guaranteed not
to crack or warp.



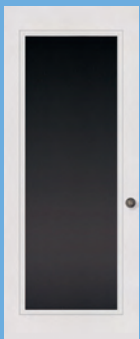
F3-21***



SW-24



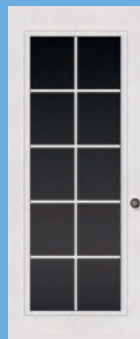
S3-24



F10-23
SSF10-59
(C,O,M)



F15*-23
SSF15*-59
(C,O,M)



FTENEXT-22
SSFTENEXT-59
(C,O,M)



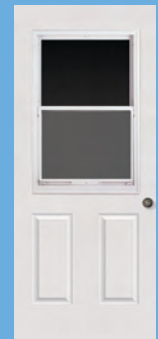
STLCRAFT6LIT-25
STLCRAFT-26 (Clear Glass)
(C,O,M)



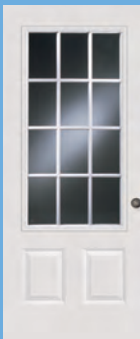
FO16-22***



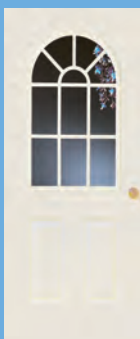
S5-23
SSS5-59
(C,O,M)



SV6-22**
SSSV6-59**
(C,O,M)



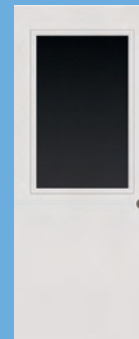
F1248-25
SSF1248-59
(C,M)



S11RT-25



S9*-23
SSS9*-59
(C,O,M)



F5-24***



FPPRAINT-22X
SSFPPRAINT-59
(C,O,M)



S2SL-35



F5SL*-35
SSF5SL*-59
(C,O,M)



F448SL-35
SSF448SL-59
(C,M)



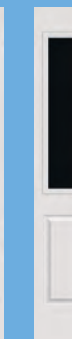
S3SL*-35
SSS3SL*-59
(C,O,M)



FSL-36
SSFSL-59
(C,O,M)



F48SL-36
SSF48SL-59
(C,M)



SSL-35
SSSSL-59
(C,O,M)



FPPRAINTSL-36X
SSFPPRAINTSL-59
(C,O,M)

X - Internal Grids Only

* Also available with internal grids (Doors: pages 20-24, Sidelites pages 32-33 in price book), white only.

** Glass Frame SV-6 Always White

***Not Available in Fiberglass *Also available in clear glass

SS: Signature Series C=Cherry, O=Oak, M=Mahogany



Plymouth handleset with Georgian knob in Bright Brass

Camelot handleset with Accent lever in Satin Nickel

Century handleset with Latitude lever in Matte Black

Georgian Knob

Bowery Knob

Accent Lever

Latitude Lever

Note: Any handleset can be paired with any interior knob or lever shown here.

STYLE	BRIGHT BRASS	SATIN NICKEL	MATTE BLACK	AGED BRONZE
Georgian	✓	✓	✓	✓
Bowery		✓	✓	✓
Accent	✓	✓	✓	✓
Latitude		✓	✓	✓
Camelot	✓	✓	✓	✓
Plymouth	✓	✓	✓	✓
Century		✓	✓	✓

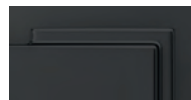
FiNiSh
OptiONS



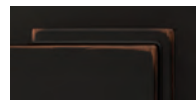
Bright Brass
605



Satin Nickel
619



Matte Black
622



Aged Bronze
716

HISTORIC CHARM GOES MODERN

NEW

WESTCHESTER
DOUBLE HUNG WINDOWS



SIERRA
PACIFIC
WINDOWS



AN UPGRADE TO A TRUE CLASSIC.

Cover Photo
Builder: Justin Fletcher Homes
Architect: Bruce Butler / By Design
Photographer: Irvin Serrano Photography



Thermally broken sash construction.

PG50 performance rating on most standard sizes.

0.28 U-value with dual insulated Lo-E 366 and argon.

Bottom sash tilt latch for easy cleaning.

60" x 108" maximum size for 1-3/4" sash.



WESTCHESTER DOUBLE HUNG WINDOWS

This Old House | 2019 Idea House | Nat Rea

The tireless work of our engineers and designers has paid off. Introducing our new Westchester Double Hung windows, a huge improvement to a classic look.

Designed to bring back the original charm of windows hand-crafted over a century ago, they offer narrower check-rail sightlines with updated structural and thermal performance. You'll also find many new patent pending innovations, including a traditionally styled combination sash lock.

The Westchester is crafted with fully clad exteriors using durable extruded aluminum.

A RARE COMBINATION OF CHARM AND TECHNOLOGY.



Innovating improvements to a timeless design, the Westchester is one of our highest performers, with structural and thermal performance ratings rarely found in the Double Hung market.

Yet each Westchester is built with historically accurate sash proportions, making it ideal for architecturally accurate renovations or for a touch of elegance in new construction projects.

Patent-pending sill end caps and drainage system.

Use for both residential and commercial applications.

Integral aluminum nail fin.

Patent-pending multi-point tilt latch.

Patent-pending traditionally styled combination sash lock.

Protected by CoreGuard® Plus wood preservative.

EXTERIORS DESIGNED TO LAST.

Clad exteriors are fully encased in low maintenance, heavy-duty, extruded aluminum that's at least twice as thick as roll-form cladding.

What's more, nearly all color finishes feature our environmentally friendly AAMA 2605 powder-coating, which leads the industry in durability and environmental safety. Our Textured Collection uses AAMA 2604 powder-coating to retain its rich texture.

As for colors? An industry-leading 75 choices along with some sensational textures allow you to add warmth, a bright splash or a new statement to your designs. We'll also custom match any color you choose.



COLORS INSPIRED BY NATURE.

COLORSTAY™ COLLECTION

- Morning Dove Gray 113
- White 001
- Linen 032
- French Linen 112
- Gull Gray 007
- Seawolf 044
- Fashion Gray 111
- Colonial White 313
- Sandstone 003
- Beige 335
- Tan 043
- Black Sable 060
- Slate Blue 008
- Light Blue 046
- Steel Blue 114
- Slate Grey 045
- Battleship Gray 321
- TW Black 061
- Hemlock Green 048
- Patina Green 051
- Forest Green 049
- Aqua Mist 115
- Hampton Blue 323
- Sage Green 005
- Teal 047
- Moss 031
- Greek Olive 081
- Terra Cotta 053
- Clay 026
- Evergreen 009
- Green 004
- Hartford Green 050
- Medium Bronze Industrial 101
- Deep Plum 116
- Deep Taupe 077
- Antique Bronze 057
- ICI Brown 056
- Colonial Red 054
- Harvest Cranberry 010
- Burgundy 055
- Dark Bronze Industrial 102
- Mocha 098
- Brown 002
- Bronze 024
- Black 023
- TW Brown 058
- Bahama Brown 309
- Regal Brown 059
- Black Anodized 117/353
- Sift Espresso 097
- Weathered Café Royale 104
- Weathered Bronze 078
- Weathered Brown 034
- Alpine Silver 062
- Bronze Classic 064
- Clear Anodized 103/332
- Medium Bronze Anodized 096/307
- Cajun Spice 099
- Weathered Cocoa 105
- Weathered Rust 076
- Weathered Basil 107
- Platinum 067
- Metallic Champagne 063
- Copper Penny 065
- Pesto 100
- Weathered Clay 075
- Weathered Red Pepper 106
- Light Bronze Pearl 069
- Medium Bronze Pearl 070
- Copper Anodized 352 Available on select products only.
- Dark Bronze Anodized 095/306
- Peppered Steel 110
- El Cajon Silver 068
- Dark Bronze Pearl 071
- Classic Copper 088

WEATHERED COLLECTION

TEXTURED COLLECTION

PEARL METALLIC COLLECTION

METALLIC COLLECTION

ANODIZED COLLECTION

INDUSTRIAL COLLECTION

Pricing may vary by collection.

THE ELEGANT LOOK OF TRADITIONALLY STYLED SASH LOCKS.

Historic accuracy even makes its way into the patent-pending sash locks, which are designed to match the traditional charm that works so well in both residential and commercial applications.

Watch the Westchester "Opening Talks" video.



IN TWELVE BEAUTIFUL FINISHES.



OPTIONAL HANDLES



OPTIONAL SASH LIFTS





Sierra Pacific is proud to be the only window company that manufactures its products with complete vertical integration. The full cycle makes use of every part of our wood resources, all the way down to bark and sawdust that's burned to create energy for the communities we call home.



THE AUTHENTICITY OF WOOD.





Rich, genuine wood give Westchester window interiors an authentic touch that makes a remarkable difference to interior spaces.

Choose from nine beautiful wood species to match your interiors perfectly. And if your design needs take you someplace else, not to worry. As long as it's workable, we'll make your windows out of nearly any species you like.



CHOOSE FROM NINE INTERIOR WOOD SPECIES, OR CUSTOM, AND THIRTEEN INTERIOR TRIM OPTIONS.

- Maple
- Alder
- Mahogany
- Cherry
- Vertical Grain Douglas Fir
- Red Oak
- Walnut
- White Oak
- Pine

						
Colonial Shown in oak 3-1/2" wide	Regal Shown in pine 3-1/2" wide	Provincial Shown in oak 3-1/2" wide	Tudor Shown in pine 3-1/2" wide	Heritage Shown in oak 2-3/4" wide	Prairie Shown in pine 2-3/4" wide	Tradesman Shown in pine 2-1/4" wide
						
Tradesman II Shown in pine 3-1/2" wide	Craftsman Shown in oak 3-1/2" wide	Continental Shown in oak 3-1/2" wide	Heritage II Shown in pine 2-3/4" wide	Traditional Shown in pine 2-1/4" wide	Contemporary Shown in pine 2-1/4" wide	
















THE CHARM OF YESTERDAY, CUSTOMIZED FOR TODAY.



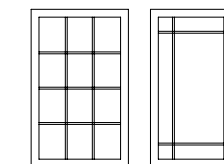
Starting with a classic shape, we give you many ways to make Westchester your own. And all of them are constructed with the meticulous craftsmanship that makes this double hung window a lasting enhancement to any space.

SIMULATED DIVIDED LITE PROFILES

A classic look that's energy-efficient.

	5/8"	7/8"	1"	1-1/4"	2"
Contemporary Clad					
Putty Clad					
Traditional Clad					

Your Westchester grilles can add a look as unique as you like, from our standard traditional and contemporary configurations to your choice of custom designs.





HIGHLY ENGINEERED FOR BETTER PERFORMANCE.

The Westchester maintains higher air, water and structural capabilities and improved thermal ratings even as we engineered larger sash sizes.

Triple glazed windows with argon have a U-value as low as .17. Dual glazed reach a U-value of .28 with LoE-366 and argon. Performance numbers like these demonstrate the rigorous engineering standards and technology that are built into the re-imagining of this classically designed window.



CHOOSE GLAZING PERFECT FOR YOUR ENVIRONMENT.

Low-E 366

Cardinal's triple layer silver product for superior performance. 95% UV protection. Solar heat gain coefficient of 0.27.* Also available with Preserve® protective film or with Preserve and Neat® coating for a naturally cleaner glass when selecting XL Edge or Endur Spacer.



Low-E 366

with i89 Coating**

The same superior performance as regular Low-E 366, but with the addition of i89 coating on the interior surface to increase insulating value and reduce solar heat gain. Meets even the most extreme requirements in the majority of the Canadian Energy Star zones. Also available with Preserve® protective film or with Preserve and Neat® coating for a naturally cleaner glass when selecting XL Edge or Endur Spacer.



Low-E 340

Cardinal's newest glazing innovation. It has an amazingly low 0.18* solar heat gain coefficient to keep out the heat even in the blazing sun. Slightly tinted. Blocks 98% of UV rays. Less heat gain when it's hot, less heat loss when it's cold, and the best glare control under the sun. Also available with Preserve® protective film or with Preserve and Neat® coating for a naturally cleaner glass when selecting XL Edge or Endur Spacer.



Low-E 180 Passive Solar

A very high (0.70*) solar heat gain coefficient. Ideal for reducing your heating bills in colder climates. Superior insulation value blocks cold and keeps in the heat. Also available with Preserve® protective film or with Preserve and Neat® coating for a naturally cleaner glass when selecting XL Edge or Endur Spacer.



Low-E 180 Passive Solar

with i89 Coating**

The same superior performance as regular Low-E 180, but with the addition of i89 coating on the interior surface to increase insulating value. Meets even the most extreme requirements in the majority of the Canadian Energy Star zones. Also available with Preserve® protective film or with Preserve and Neat® coating for a naturally cleaner glass when selecting XL Edge or Endur Spacer.



Dual Pane Low-E

Insulated for improved energy efficiency. Single surface Low-E coating to reduce solar heat gain and block UV rays.



Triple Pane Low-E

Available in a variety of Low-E coating combinations for superior insulation and energy performance.



Insulated Glass

For moderate climates. Basic glazing with basic performance.

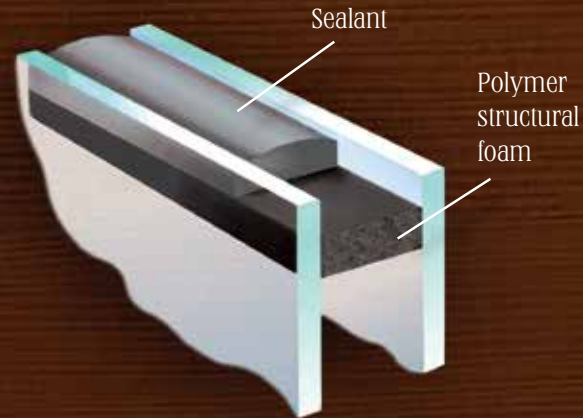
Sound Control

Reduces outside noise by as much as 50% while blocking 99% of damaging UV rays. Laminated for shatter resistance. Available insulated or non-insulated.



*All values shown are center of glass. **Interior surface coatings, also known as surface #4, are applied to the interior (room-side surface) of a dual pane IG unit, resulting in improved thermal performance and lower heating costs. Because the coating reflects heat back into the room, the room-side pane of glass will be slightly colder in winter, causing a higher potential for interior condensation.

No-Metal TrueWarm® Edge Spacer.



THE ADVANTAGE OF NO-METAL SPACERS.

One of the technological advances that makes our Westchester windows perform so well are patented No-Metal TrueWarm® Edge spacers.

Many window manufacturers use aluminum spacers between their panes of glass. These conduct cold and heat, and that's not good for thermal performance.

Our no-metal warm edge spacers are 100% polymer structural foam, for excellent thermal performance and a superior seal.



ADD DECORATIVE GLASS.

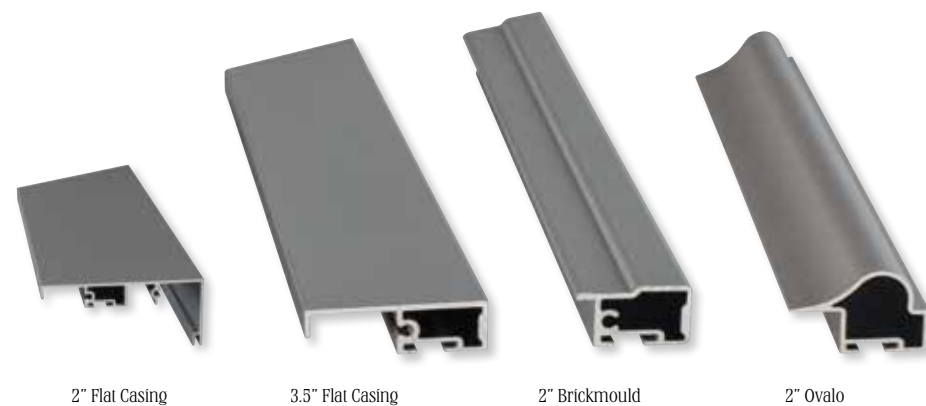
Further customize your Westchester windows with tinted, patterned, obscure or other specialty glass. It's a smart choice for privacy, security or just design preference.



*Available on select products.

EXTERIOR TRIM PROFILES AS IMPRESSIVE AS THE WINDOWS.

The Westchester exterior trim profile system comes in four available styles that snap in place on the frame with a clip system. No through-frame anchors or excessive nail holes, leaving you an integrated frame that gives homeowners the flexibility to choose the aesthetic they want.

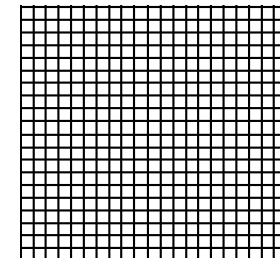


SEVERAL SCREEN CHOICES

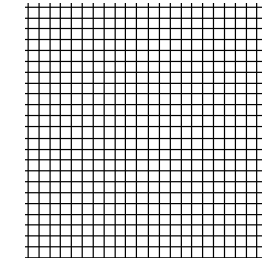
Screens have an aluminum frame which matches the exterior clad color. You can choose your screen mesh, from standard fiberglass to the improved visibility and even smaller insect barrier of BetterVue® or UltraVue™.



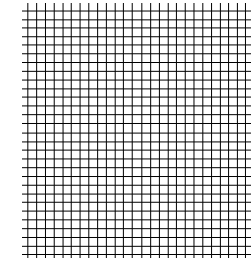
Standard metal screen.



Standard



BETTERVUE
IMPROVED VISIBILITY INSECT SCREEN



ULTRAVUE
EXCELLENT VISIBILITY INSECT SCREEN



FLEXSCREEN

Hidden and beautifully simple, FlexScreen is the first screen of its kind made of flexible spring steel to fit firmly into screen tracks. No screen frames, no hardware, just refreshingly easy installation.



EARTH-FRIENDLY. MORE THAN AN APPROACH, AN OBLIGATION.

All materials in the production of Sierra Pacific windows and doors are highly valued and responsibly used. This includes the select wood that comes from over 2 million acres of forestland owned by our parent company, Sierra Pacific Industries. Thanks to advancements in “sustained yield” forest management and timber harvesting, we will nearly triple the amount of wood growing on our lands in the next 100 years.



**SIERRA
PACIFIC**
WINDOWS THAT
NEVER COMPROMISE

SierraPacificWindows.com | 800-824-7744 | A Division of



Instagram Follow us @SierraPacificWindows

We reserve the right to change product specifications without notice. Photography used may not represent current product features and options. Sierra Pacific windows and doors are successful thanks in part to our unique patents. Visit spi-ind.com/ip to learn more. #971102-8/20





Proposals Requiring Approval




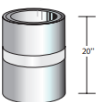
- Removal and replacement of all remaining fascia boards.
 - Replaced with Common Pine Boards (non-specific manufacturing)
- Installation of aluminum clad over all newly installed fascia boards.
 - MFG: Quality Aluminum Products
- Removal and replacement of all remaining soffit boards.
 - Replaced with Common Pine Boards (non-specific manufacturing)
- Installation of aluminum soffits over all newly installed soffit boards.
 - MFG: Quality Aluminum Products
- Installation of new 3 Tab asphalt shingles
 - MFG: Isaiah Industries (Classic Metal Roofing Systems)
- Installation of new gutter system
 - MFG: Quality Aluminum Products

- Removal and replacement of all remaining fascia boards.
 - Existing fascia boards are completely weathered beyond repair, and have been warped due to water leaks,
 - New boards will also be installed where existing boards have rotted away entirely and are no longer present.
 - New gutter system cannot be attached to the existing boards as there is nothing left to screw into.

- Installation of aluminum clad over all newly installed fascia boards
 - **The remaining fascia boards have a poorly installed metal clad on them currently**
 - Wood boards must be maintained and painted over every few years to prevent decay. Properly installed aluminum clad does not require maintenance.
 - We propose the installation of new aluminum clad over all of the new fascia boards to ensure this does not need to be revisited for many years to come.

ROLL FLASHING

ALUMINUM MILL FINISH								
	Economy Code (.009)	Description	Pallet Qty.	Length Feet	Color	Type	Gauge	Weight Lbs.
	RF 8x10 EC MILL	8 x 10 Aluminum Economy Mill	50	10	Bare	Econ	.009	0.76
	RF 8x25 EC MILL	8 x 25 Aluminum Economy Mill	50	25		Econ	.009	1.90
	RF 8x50 EC MILL	8 x 50 Aluminum Economy Mill	50	50		Econ	.009	3.80
	RF 10x10 EC MILL	10 x 10 Aluminum Economy Mill	50	10	Bare	Econ	.009	0.96
	RF 10x25 EC MILL	10 x 25 Aluminum Economy Mill	50	25		Econ	.009	2.40
	RF 10x50 EC MILL	10 x 50 Aluminum Economy Mill	50	50		Econ	.009	4.80
	RF 14x10 EC MILL	14 x 10 Aluminum Economy Mill	50	10	Bare	Econ	.009	1.34
	RF 14x25 EC MILL	14 x 25 Aluminum Economy Mill	50	25		Econ	.009	3.35
	RF 14x50 EC MILL	14 x 50 Aluminum Economy Mill	50	50		Econ	.009	6.70
	RF 20x10 EC MILL	20 x 10 Aluminum Economy Mill	50	10	Bare	Econ	.009	1.90
	RF 20x25 EC MILL	20 x 25 Aluminum Economy Mill	50	25		Econ	.009	4.75
	RF 20x50 EC MILL	20 x 50 Aluminum Economy Mill	50	50		Econ	.009	9.50

ALUMINUM MILL FINISH								
	Standard Code (.011)	Description	Pallet Qty.	Length Feet	Color	Type	Gauge	Weight Lbs.
	RF 8x10 STD MILL	8 x 10 Aluminum Standard Mill	50	10	Bare	Std	.011	1.00
	RF 8x25 STD MILL	8 x 25 Aluminum Standard Mill	50	25		Std	.011	2.50
	RF 8x50 STD MILL	8 x 50 Aluminum Standard Mill	50	50		Std	.011	5.00
	RF 10x10 STD MILL	10 x 10 Aluminum Standard Mill	50	10	Bare	Std	.011	1.24
	RF 10x25 STD MILL	10 x 25 Aluminum Standard Mill	50	25		Std	.011	3.10
	RF 10x50 STD MILL	10 x 50 Aluminum Standard Mill	50	50		Std	.011	6.20
	RF 14x10 STD MILL	14 x 10 Aluminum Standard Mill	50	10	Bare	Std	.011	1.78
	RF 14x25 STD MILL	14 x 25 Aluminum Standard Mill	50	25		Std	.011	4.45
	RF 14x50 STD MILL	14 x 50 Aluminum Standard Mill	50	50		Std	.011	8.90
	RF 20x10 STD MILL	20 x 10 Aluminum Standard Mill	50	10	Bare	Std	.011	2.50
	RF 20x25 STD MILL	20 x 25 Aluminum Standard Mill	50	25		Std	.011	6.25
	RF 20x50 STD MILL	20 x 50 Aluminum Standard Mill	50	50		Std	.011	12.50

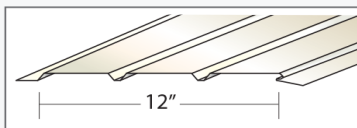
- Removal and replacement of all remaining soffit boards.
 - Existing boards are completely weathered beyond repair, and have been warped due to water leaks, cracked due to the immense weight of the clay roof, and many boards have mold on the back, inside of the attic.
 - Many boards are missing, with multiple holes having formed around the perimeter of the home allowing for birds to enter the attic.
 - New boards will also be installed where existing boards have rotted away entirely and are no longer present.

- Installation of aluminum clad over all newly installed soffit boards.
 - Wood boards must be maintained and painted over every few years to prevent decay.
 - We propose the installation of new aluminum clad over all of the new fascia boards to ensure this does not need to be revisited for many years to come.



V-GROOVE SOFFIT

SVPT4



TRIPLE FOUR SOLID V-PANEL

- CW01 Colonial White
- 112 Tuxedo Gray
- 138 Bone
- 200 Black
- 202 Royal Brown
- 204 Grecian Green
- 214 Woodland Green
- 223 Imperial Brown
- 238 Hickory/336 Clay
- 250 Musket Brown
- 280 White
- 325 Sandstone Beige
- 327 Desert Tan
- 355 Light Maple
- 360 Terratone
- 422 Pebblestone Clay
- 713 Wicker
- 791 Norwegian Wood
- 792 Heather
- 793 Sandcastle
- 801 Almond
- 805 Pewter/397
- 817 Cream/326
- 818 Bronze**
- 819 Herringbone
- 820 Cranberry
- 841 Buckskin
- 901 Ivory

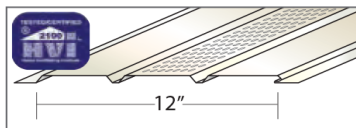
Special colors available • 5 carton min.

CARTON CONTENTS

- 16 Pieces • 12 Ft. Lengths
- To Cover 192 Sq. Ft. • 57 Lbs.

CVPT4

NFA 5.0



TRIPLE FOUR CENTER VENT V-PANEL

- CW01 Colonial White
- 112 Tuxedo Gray
- 138 Bone
- 200 Black
- 202 Royal Brown
- 204 Grecian Green
- 214 Woodland Green
- 223 Imperial Brown
- 238 Hickory/336 Clay
- 250 Musket Brown
- 280 White
- 325 Sandstone Beige
- 327 Desert Tan
- 355 Light Maple
- 360 Terratone
- 422 Pebblestone Clay
- 713 Wicker
- 791 Norwegian Wood
- 792 Heather
- 793 Sandcastle
- 801 Almond
- 805 Pewter/397
- 817 Cream/326
- 818 Bronze
- 819 Herringbone
- 820 Cranberry
- 841 Buckskin
- 901 Ivory

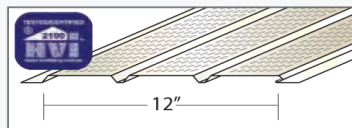
Special colors available • 5 carton min.

CARTON CONTENTS

- 16 Pieces • 12 Ft. Lengths
- To Cover 192 Sq. Ft. • 57 Lbs.

LVPT4

NFA 23.2



TRIPLE FOUR LANCED V-PANEL

- CW01 Colonial White
- 112 Tuxedo Gray
- 138 Bone
- 200 Black
- 202 Royal Brown
- 204 Grecian Green
- 214 Woodland Green
- 223 Imperial Brown
- 238 Hickory/336 Clay
- 250 Musket Brown
- 280 White
- 325 Sandstone Beige
- 327 Desert Tan
- 355 Light Maple
- 360 Terratone
- 422 Pebblestone Clay
- 713 Wicker
- 791 Norwegian Wood
- 792 Heather
- 793 Sandcastle
- 801 Almond
- 805 Pewter/397
- 817 Cream/326
- 818 Bronze
- 819 Herringbone
- 820 Cranberry
- 841 Buckskin
- 901 Ivory

Special colors available • 5 carton min.

CARTON CONTENTS

- 16 Pieces • 12 Ft. Lengths
- To Cover 192 Sq. Ft. • 57 Lbs.

BST4 | BCVT4 | BLT4

BUILDERS GRADE T4 SOFFIT

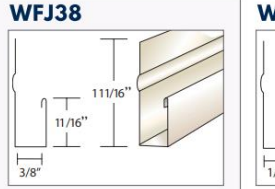
TRIPLE FOUR V-PANEL SOLID/CENTER VENT/LANCED

- 202 Royal Brown
- 238 Hickory
- 280 White
- 713 Wicker
- 795 Mocha

CARTON CONTENTS

- 16 Pieces • 12 Ft. Lengths
- To Cover 192 Sq. Ft. • 50 Lbs.

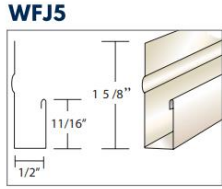
SOFFIT ACCESSORIES



WFJ38

- 3/8" J CHANNEL MOULDING**
- CW01 Colonial White
 - 112 Tuxedo Gray
 - 138 Bone
 - 200 Black
 - 202 Royal Brown
 - 204 Grecian Green
 - 214 Woodland Green
 - 223 Imperial Brown
 - 238 Hickory
 - 250 Musket Brown
 - 280 White
 - 325 Sandstone Beige
 - 327 Desert Tan
 - 355 Light Maple
 - 360 Terratone
 - 422 Pebblestone Clay
 - 713 Wicker
 - 791 Norwegian Wood
 - 792 Heather
 - 793 Sandcastle
 - 795 Mocha
 - 801 Almond
 - 805 Pewter
 - 817 Cream
 - 818 Bronze
 - 819 Herringbone
 - 820 Cranberry
 - 841 Buckskin
 - 901 Ivory

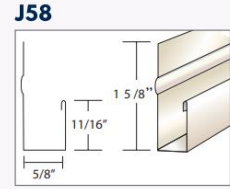
CARTON CONTENTS
White: • 50 Pieces • 12 Ft. Lengths
 600 Ft. Per Carton • 32 Lbs.
Colors: • 25 Pieces • 12 Ft. Lengths
 300 Ft. Per Carton • 17 Lbs.
 Use with T4/Q4



WFJ5

- 1/2" J CHANNEL MOULDING**
- CW01 Colonial White
 - 102 Pearl Gray
 - 112 Tuxedo Gray
 - 138 Bone
 - 200 Black
 - 202 Royal Brown
 - 204 Grecian Green
 - 214 Woodland Green
 - 223 Imperial Brown
 - 238 Hickory
 - 250 Musket Brown
 - 280 White
 - 325 Sandstone Beige
 - 327 Desert Tan
 - 355 Light Maple
 - 360 Terratone
 - 713 Wicker
 - 791 Norwegian Wood
 - 792 Heather
 - 793 Sandcastle
 - 801 Almond
 - 805 Pewter
 - 817 Cream
 - 818 Bronze
 - 819 Herringbone
 - 820 Cranberry
 - 821 Ivy
 - 822 Pacific Blue
 - 841 Buckskin
 - 901 Ivory

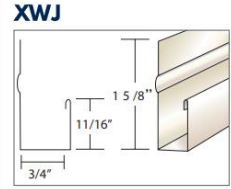
CARTON CONTENTS
White: • 50 Pieces • 12 Ft. Lengths
 600 Ft. Per Carton • 35 Lbs.
Colors: • 25 Pieces • 12 Ft. Lengths
 300 Ft. Per Carton • 19 Lbs.
 Use with D5/D6



J58

- 5/8" J CHANNEL MOULDING**
CertainTeed/Wolverine Colors
- CW01 Colonial White
 - 102 Pearl Gray
 - 202 Royal Brown
 - 223 Imperial Brown
 - 224 Woodstock Tan
 - 238 Hickory
 - 250 Musket Brown
 - 280 White
 - 325 Sandstone Beige
 - 327 Desert Tan
 - 335 Barn Red
 - 355 Light Maple
 - 713 Wicker
 - 791 Norwegian Wood
 - 793 Sandcastle
 - 801 Almond
 - 805 Pewter
 - 817 Cream
 - 819 Herringbone
 - 841 Buckskin
 - 901 Ivory

CARTON CONTENTS
 • 25 Pieces • 12 Ft. Lengths
 • 300 Ft. Per Carton • 19 Lbs.
 Use with Aluminum Siding/Vinyl Soffit



XWJ

- 3/4" J CHANNEL MOULDING**
- CW01 Colonial White
 - 202 Royal Brown
 - 214 Woodland Green
 - 238 Hickory
 - 250 Musket Brown
 - 280 White
 - 325 Sandstone Beige
 - 327 Desert Tan
 - 355 Light Maple
 - 360 Terratone
 - 713 Wicker
 - 791 Norwegian Wood
 - 801 Almond
 - 805 Pewter
 - 817 Cream
 - 819 Herringbone
 - 841 Buckskin
 - 901 Ivory

CARTON CONTENTS
 • 25 Pieces • 12 Ft. Lengths
 • 300 Ft. Per Carton • 23 Lbs.



SR58

- 5/8" SOFFIT RECEIVER**
- 230 Beige
 - 238 Hickory
 - 280 White
- CARTON CONTENTS**
 • 20 Pieces • 10 Ft. Lengths
 • 200 Ft. Per Carton
 • 25 Lbs.



VSR1

- SOFFIT RECEIVER**
Per Square Inch/Per Lin Ft.
- 230 Beige
 - 238 Hickory
 - 280 White
- CARTON CONTENTS**
 • 20 Pieces • 10 Ft. Lengths
 • 200 Ft. Per Carton
 • 20 Lbs.

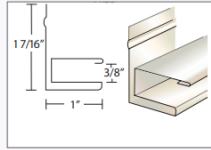


VSR92

- SOFFIT RECEIVER**
Per Square Inch/Per Lin Ft.
- 230 Beige
 - 238 Hickory
 - 280 White
- CARTON CONTENTS**
 • 20 Pieces • 10 Ft. Lengths
 • 200 Ft. Per Carton
 • 20 Lbs.

SOFFIT ACCESSORIES

FR38



3/8" FRIEZE RUNNER

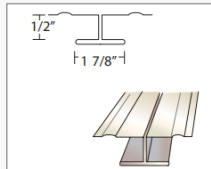
- CW01 Colonial White
- 112 Tuxedo Gray
- 138 Bone
- 200 Black
- 202 Royal Brown
- 204 Grecian Green
- 214 Woodland Green
- 223 Imperial Brown
- 238 Hickory
- 250 Musket Brown
- 280 White
- 325 Sandstone Beige
- 327 Desert Tan
- 355 Light Maple
- 360 Terratone
- 422 Pebblestone Clay
- 713 Wicker
- 791 Norwegian Wood
- 792 Heather
- 793 Sandcastle
- 795 Mocha
- 801 Almond
- 805 Pewter
- 817 Cream
- 818 Bronze
- 819 Herringbone
- 820 Cranberry
- 841 Buckskin
- 901 Ivory

CARTON CONTENTS

- 25 Pieces • 12 Ft. Lengths
- 300 Ft. Per Carton • 35 Lbs.

Use with T4 & Q4 Soffit

DCR19



DOUBLE CHANNEL RUNNER

- 238 Hickory
- 280 White
- 713 Wicker

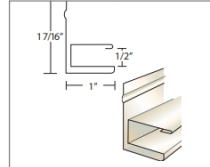
Special colors available • 3 carton min.

Custom Bent Only

CARTON CONTENTS

- 10 Pieces • 10 Ft. Lengths
- 100 Ft. Per Carton • 17 Lbs.

FR119



1/2" FRIEZE RUNNER

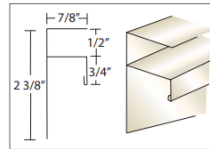
- CW01 Colonial White
- 102 Pearl Gray
- 112 Tuxedo Gray
- 200 Black
- 202 Royal Brown
- 204 Grecian Green
- 223 Imperial Brown
- 238 Hickory
- 250 Musket Brown
- 280 White
- 325 Sandstone Beige
- 360 Terratone
- 713 Wicker
- 801 Almond
- 818 Bronze
- 819 Herringbone
- 820 Cranberry
- 821 Ivy
- 822 Pacific Blue
- 841 Buckskin

CARTON CONTENTS

- 25 Pieces • 12 Ft. Lengths
- 300 Ft. Per Carton • 35 Lbs.

Use with D5 & D6 Soffit

FANDJ



COMBINATION CHANNEL

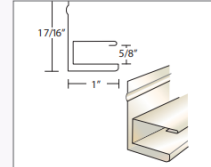
- 112 Tuxedo Gray
- 202 Royal Brown
- 214 Woodland Green
- 238 Hickory
- 280 White

Special colors available • 3 carton min.
Custom Bent Only

CARTON CONTENTS

- 20 Pieces • 10 Ft. Lengths
- 200 Ft. Per Carton • 24 Lbs.

FR58



5/8" FRIEZE RUNNER

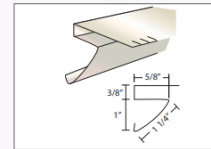
- CW01 Colonial White
- 202 Royal Brown
- 238 Hickory
- 250 Musket Brown
- 280 White
- 360 Terratone
- 713 Wicker
- 791 Norwegian Wood

CARTON CONTENTS

- 25 Pieces • 10 Ft. Lengths
- 250 Ft. Per Carton • 35 Lbs.

Use with Vinyl Soffit

RCM19



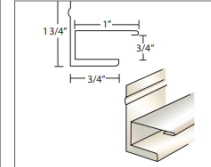
CROWN MOULDING

- 202 Royal Brown
- 214 Woodland Green
- 238 Hickory
- 250 Musket Brown
- 280 White
- 713 Wicker
- 791 Norwegian Wood
- 793 Sandcastle
- 801 Almond
- 805 Pewter/St. Gray
- 819 Herringbone

CARTON CONTENTS

- 25 Pieces • 12 Ft. Lengths
- 300 Ft. Per Carton • 27 Lbs.

FR34



3/4" FRIEZE RUNNER

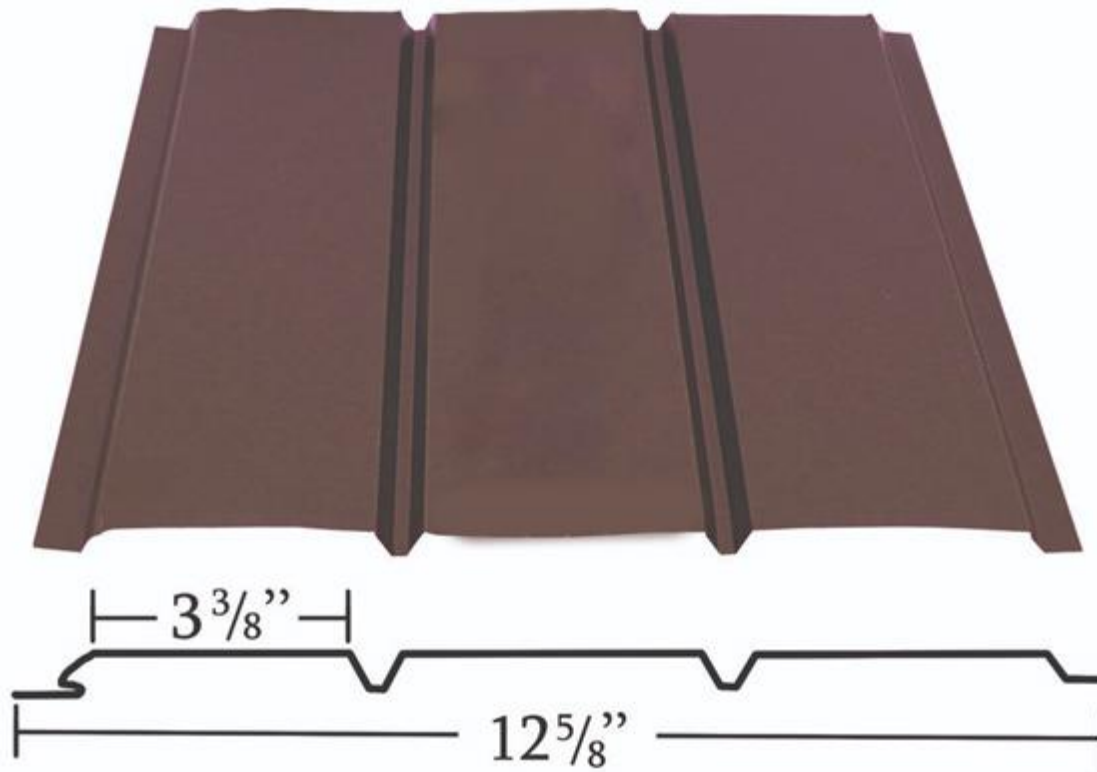
- CW01 Colonial White
- 238 Hickory
- 280 White
- 713 Wicker

Custom Bent Only

CARTON CONTENTS

- 25 Pieces • 10 Ft. Lengths
- 250 Ft. Per Carton • 35 Lbs.

Soffit Panel Dimensions



GUTTER ACCESSORIES

6INM



6" INSIDE MITRE
See pg. 32 for Color Legend
CARTON CONTENTS
• 20 Pieces Per Carton
• 12 Lbs.

60TM



6" OUTSIDE MITRE
See pg. 32 for Color Legend
CARTON CONTENTS
• 20 Pieces Per Carton
• 12 Lbs.

6ENL



6" LEFT END CAP
See pg. 32 for Color Legend
CARTON CONTENTS
• 50 Pieces Per Carton
• 5 Lbs.

6ENR



6" RIGHT END CAP
See pg. 32 for Color Legend
CARTON CONTENTS
• 50 Pieces Per Carton
• 5 Lbs.

6OUT



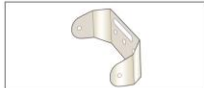
3" X 4"
OUTLET TUBE
Mill Finish
CARTON CONTENTS
• 50 Pieces Per Carton
• 5 Lbs.

8SPKA



8" SPIKES
130° Low Gloss White
CARTON CONTENTS
• 500 Pieces Per Carton
• 17 Lbs.

6PIPE CLIPS



6" PIPE CLIPS
130 Low Gloss
180 High Gloss
202 Royal Brown
238 Hickory
250 Musket Brown
325 Standstone Beige
360 Terratone
713 Wicker
818 Bronze
820 Cranberry
CARTON CONTENTS
• 50 Pieces Per Carton
• 4 Lbs.

6HHSREW



6" HIDDEN HANGER
WITH SCREWS
Mill Finish
CARTON CONTENTS
• 300 Pieces Per Carton
• 27 Lbs.

6FUNW130



3" X 4" FUNNEL
130° Low Gloss
CARTON CONTENTS
• 12 Pieces Per Carton
• 4 Lbs. Per Box

6 LEAFDROP



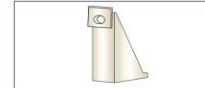
6" LEAF COVER
CARTON CONTENTS
• 50 Pieces • 4 Ft. Lengths
• 18 Lbs.

6HDHNGER



6" HIDDEN HANGER
Mill Finish
CARTON CONTENTS
• 100 Pieces Per Carton
• 25 Lbs.

GW6WH



6" GUTTER WEDGE
White Only
CARTON CONTENTS
• 50 Pieces Per Carton
• 8 Lbs.

6GLD



6" GUTTERLOCK DIAMOND
200 Black
280 White
CARTON CONTENTS
• 50 Pieces Per Carton
• 6 Ft. Per Piece
• 300 Ft. Per Carton

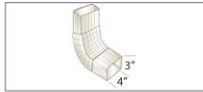
GUTTER ACCESSORIES

6CP



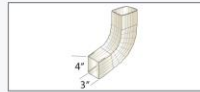
3" X 4" CONDUCTOR PIPE
See pg. 32 for Color Legend
CARTON CONTENTS
• (10) 10 Ft. Pieces
• 100 Ft. Per Carton • 30 Lbs.

6AE



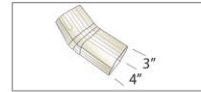
STYLE A ELBOW
75° Degree Bend
See pg. 32 for Color Legend
CARTON CONTENTS
• 15 Pieces Per Carton
• 6 Lbs.

6BE



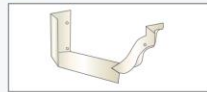
STYLE B ELBOW
75° Degree Bend
See pg. 32 for Color Legend
CARTON CONTENTS
• 15 Pieces Per Carton
• 6 Lbs.

6LNAE



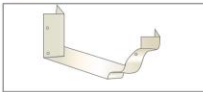
LONGNOSE A ELBOW
30° Bend
130° Low Gloss White
180° High Gloss White
202 Royal Brown
CARTON CONTENTS
• 24 Pieces Per Carton • 6 Lbs.

6ISM



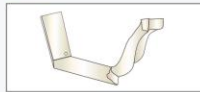
6" INSIDE STRIP MITRE
130° Low Gloss White
180° High Gloss White
202 Royal Brown
238 Hickory
250 Musket Brown
325 Sandstone Beige
360 Terratone
713 Wicker
791 Norwegian Wood
CARTON CONTENTS
• 20 Pieces Per Carton
• 4 Lbs.

6OSM



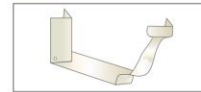
6" OUTSIDE STRIP MITRE
130° Low Gloss White
180° High Gloss White
202 Royal Brown
238 Hickory
250 Musket Brown
325 Sandstone Beige
360 Terratone
713 Wicker
791 Norwegian Wood
CARTON CONTENTS
• 20 Pieces Per Carton
• 4 Lbs.

6BIS



6" BAY INSIDE STRIP MITRE
130° Low Gloss White
CARTON CONTENTS
• 20 Pieces Per Carton
• 4 Lbs.

6BOS



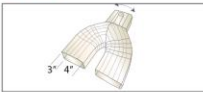
6" BAY OUTSIDE STRIP MITRE
130° Low Gloss White
CARTON CONTENTS
• 20 Pieces Per Carton
• 4 Lbs.

6KREJ



6" RUBBER EXPANSION JOINT
Mill Finish
CARTON CONTENTS
• 12 Pieces Per Carton
• 4 Lbs.

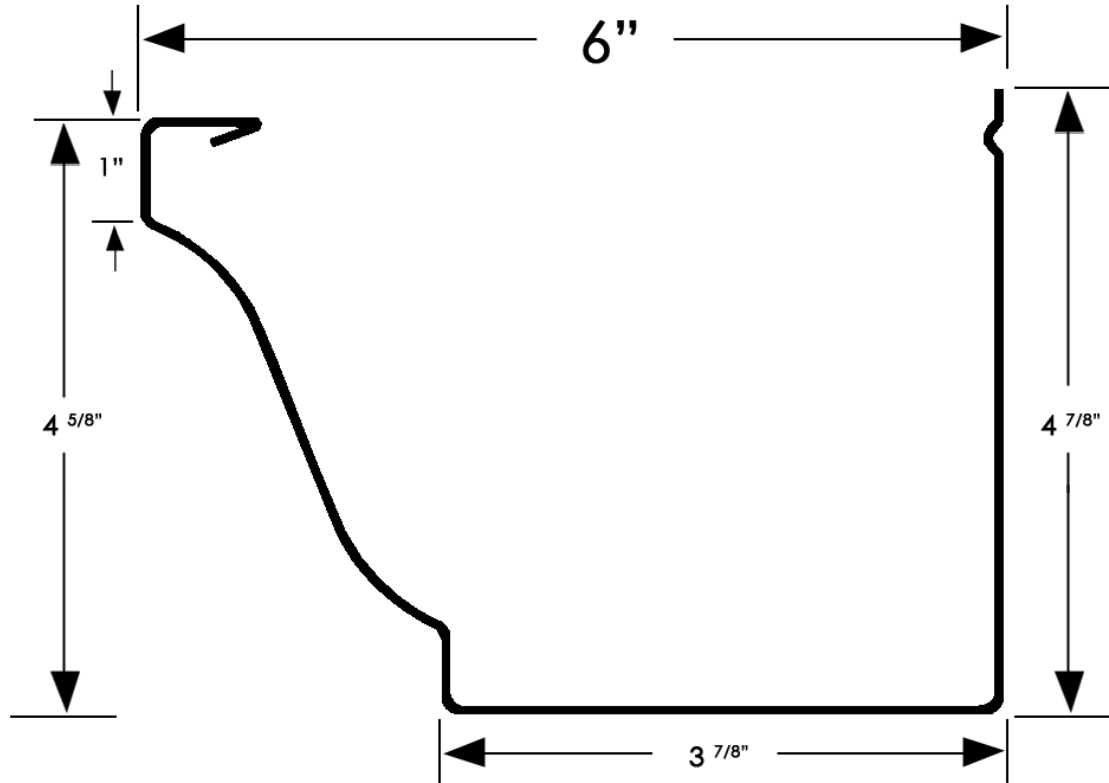
3X4YD



3" X 4" Y DIVERTERS
130° Low Gloss White
CARTON CONTENTS
• 10 Pieces Per Carton • 7 Lbs.



Gutter Profile Dimensions



GlassMaster[®]

Performance Fiberglass Shingles



PROTECTS



ATLAS
Signature Select[®]
ROOFING SYSTEM

GlassMaster[®] Shingles Brochure

Classic Style Meets Affordability.

GlassMaster® Performance Fiberglass Shingles

GlassMaster® Performance Fiberglass Shingles provide classic style at an affordable price, with protection from winds up to 60 mph. Designed to enhance curb appeal with a dozen color options, GlassMaster® 3-tab shingles stay beautiful for years thanks to built-in algae protection.



Warranty

The unmatched quality begins with a long-lasting, 30-Year Limited Warranty.*



Protection

The beauty of a 3-tab shingle backed by a 60 mph Wind Limited Warranty.*



Durability

Algae-resistant shingles provide long-lasting durability for any budget.



Black Shadow



Burnt Sienna



Cool White - SPECIAL ORDER



Desert Shake



To provide homeowners the most accurate representation of color options, several photo scans and house shots were utilized in various lighting conditions. Variations in lighting illustrate the color gradients on asphalt shingle roofs.

Color blends vary from shingle to shingle. Before installation, consult with your contractor and request to view the actual shingles being installed on your roof to ensure confidence in your final color selection.



Tan Mist



Hearthstone Gray (Featured on Cover)



Heatherblend



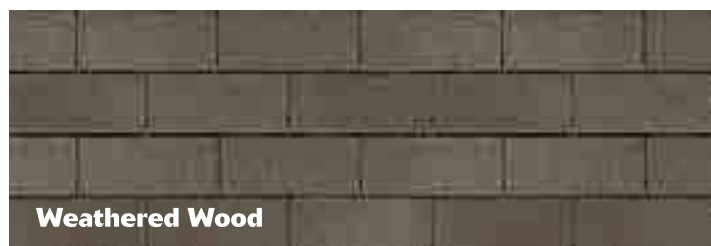
Oyster Shell



Pewter



Tan Mist



Weathered Wood



Dreaming Of A Home Redesign?

Get creative with the Roof Inspiration Center, a suite of home design tools from Atlas.

From shingles to siding, reinvent the look of your home with the Roof & Home Design Studio. Like all your ideas in one spot? With RoofSwap! You can upload home photos, swipe for different looks and save your ideas to a mood board. Explore shingle styles, features and colors with the Visual Product Selector.

Whether you have 3 minutes or 30, your new look is just around the corner.

AtlasRoofing.com/Roof-Inspiration

GlassMaster®

Performance Fiberglass Shingles



With Atlas you get more than a roof. You get beautiful, lasting protection backed by the industry's best warranty* coverage — and the peace of mind that comes with it.

Colors	Limited Warranty*	Algae Resistance*	Signature Select® Eligible ¹
10 Colors	30 Years	10 Years (ARS)	Yes

Increase your Premium Protection Period by installing an Atlas Signature Select® Roofing System.



Roof System Components:

- 1 Atlas WeatherMaster® Ice & Water Underlayment
- 2 Atlas Premium Underlayment
- 3 Atlas Pro-Cut® Starter Shingles
- 4 Atlas Roof Shingles
- 5 Atlas TruRidge® & HighPoint® Exhaust Ventilation
- 6 Atlas Pro-Cut® Hip & Ridge or GlassMaster® Shingles

Demand Peak Coverage

When you install an Atlas Signature Select® Roofing System¹, all of the components are designed and backed by an Atlas warranty. In the unlikely event that you have a problem with your roof, you have a single company to turn to for support.

Unlike many other roofing warranties that promise more than they deliver, Atlas packs value and assurance into an enhanced Premium Protection Period with the installation of an Atlas Signature Select® Roofing System.

The Premium Protection Period includes:

- Non-prorated labor and materials
- Tear off and disposal fees
- Coverage of the full Atlas product system
- Transferability



GlassMaster® Cool White shingles are Energy Star® certified. Both durable and beautiful, they reflect more of the sun's rays – which keeps the roof cooler, helps it last longer and lowers air conditioning costs.



#AtlasProtects

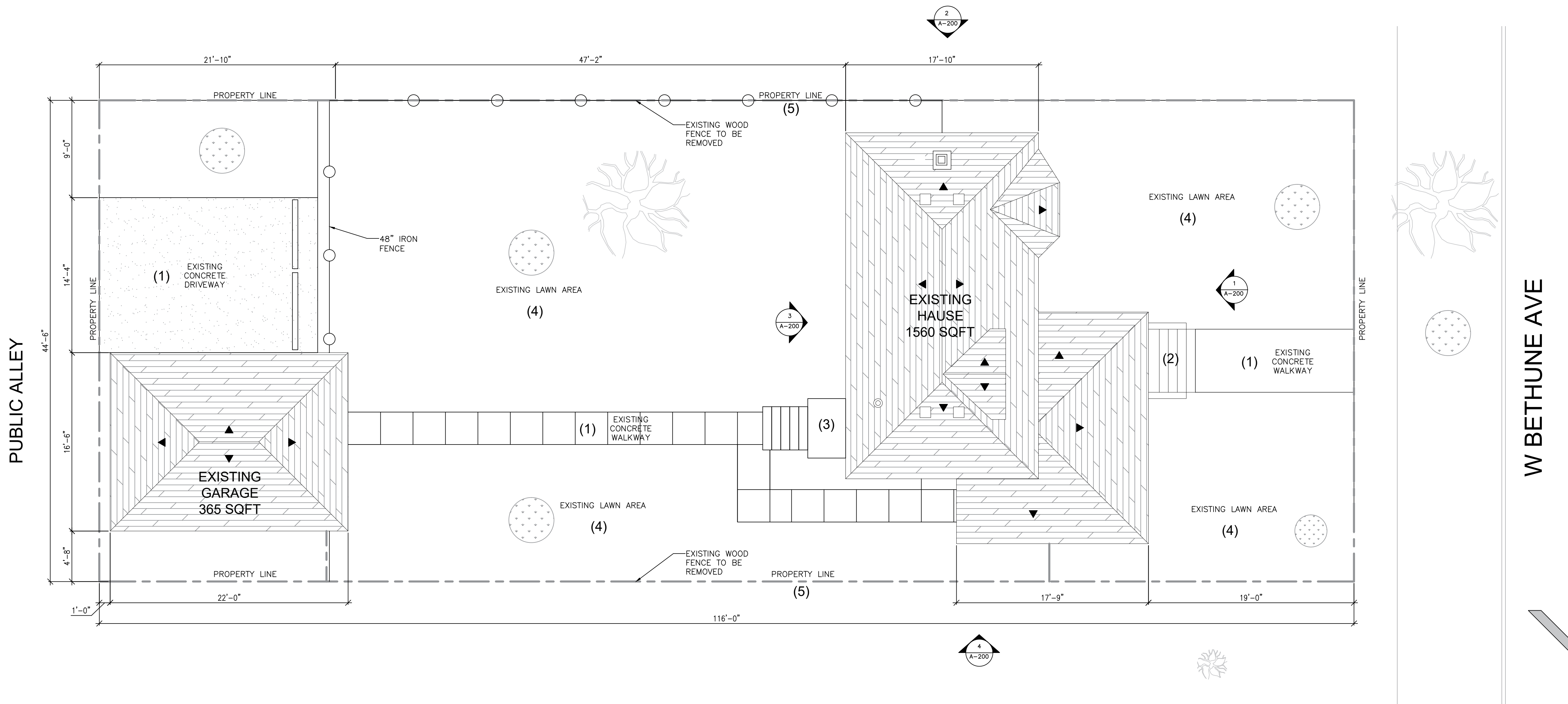
AtlasRoofing.com

* Refer to the Atlas Roofing Limited Shingle Warranty for all coverage requirements.
 1 Refer to the Atlas Signature Select® Limited Warranty for all system coverage requirements.
 © Copyright 2020, Atlas Roofing Corporation ATL-205444-00 7/20



SITE IMPROVEMENT:

- (1) EXISTING CONCRETE DRIVEWAY, WALKWAY AND CONCRETE AREAS TO BE PRESSURE WASHED (30,000 PSI)
- (2) REPAIR DAMAGED CONCRETE, FILL CRACKS AND REPLACE CRUMBLING CONCRETE AREAS.
- (3) EXISTING MASONRY FRONT PORCH TO BE TUCK POINTING AS REQUIRED.
- (4) CLEAN SITE AND REMOVED BUSHES AND DEBRIS.
- (5) EXISTING WOOD FENCE TO BE REPLACED WITH NEW 48" IRON FENCE TO MATCH EXISTING.
- (6) EXISTING REAR WOOD PORCH TO BE REPAIRED AND PAINTED..




1 PROPOSAL SITE PLAN
 AS-101 SCALE: 3/16" = 1'-0"

NOTES:

- ALL ELEMENTS ARE EXISTING TO REMAIN UNLESS OTHERWISE NOTICED.
- CONTRACTOR TO VERIFY ACCURACY AND SITE CONDITIONS BEFORE START OF CONSTRUCTION.



REVISION:

01 | ISSUED FOR HDC | 10-16-2023

PROJECT:

EXTERIOR HOUSE RENOVATION

LOCATION:

715 W BETHUNE AVE,
DETROIT, MI 48202, EE.
UU.

SHEET:

PROPOSAL SITE PLAN

AS-101

SCALE:
3/16" = 1'-0"





1 SOUTH ELEVATION VIEW
A-200 SCALE: 1/4" = 1'-0"



2 WEST ELEVATION VIEW
A-200 SCALE: 1/4" = 1'-0"



3 NORTH ELEVATION VIEW
A-200 SCALE: 1/4" = 1'-0"



4 EAST ELEVATION VIEW
A-200 SCALE: 1/4" = 1'-0"

- NOTES:
- ALL ELEMENTS ARE EXISTING TO REMAIN UNLESS OTHERWISE NOTICED.
 - CONTRACTOR TO VERIFY ACCURACY AND SITE CONDITIONS BEFORE START OF CONSTRUCTION.



REVISION:

01	ISSUED FOR HDC 10-16-2023

PROJECT: **HOUSE EXTERIOR RENOVATION**

LOCATION: **715 W BETHUNE AVE, DETROIT, MI 48202, EE. UU.**

SHEET: **ELEVATION VIEW**
A-200

SCALE: 1/4" = 1'-0"