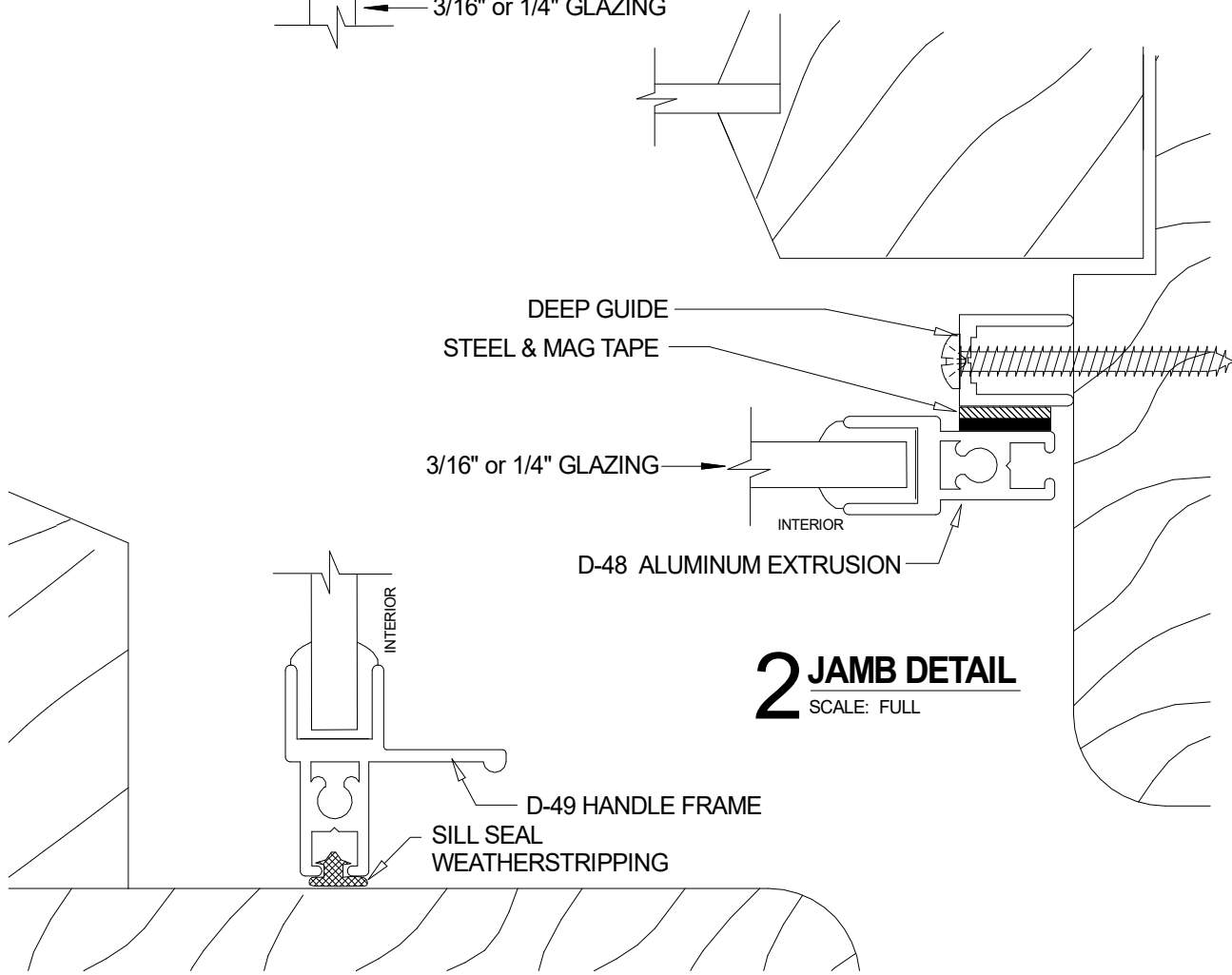
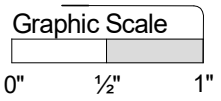


**1 HEAD DETAIL**  
SCALE: FULL



**2 JAMB DETAIL**  
SCALE: FULL

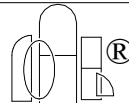
**3 SILL DETAIL**  
SCALE: FULL



PRODUCT MONUMENTAL \* MOL  
D-48 D-49  
MOUNT TO CHANNEL

DWG. NO.

**M-6-M**



**Allied Window**  
Performance Panels®

11111 CANAL ROAD • CINCINNATI, OH 45241 • PH: 800-445-5411, 513-559-1212 • FAX: 513-559-1883 • www.alliedwindow.com • info@alliedwindow.com