



729 Seward Window Submittal

January 18, 2023

Staff, Historic District Commission
City of Detroit
Coleman A. Young Municipal Building
2 Woodward Avenue
Detroit, MI 48226

Re: 729 Seward Windows Review

To Whom it May Concern:

We are submitting documentation of windows replaced which have not been reviewed or approved by the City of Detroit Historic District Commission. The existing single-family house at 729 Seward, in the New Center Historic District, has undergone a renovation as previously submitted and approved by your office. The windows were changed during construction, thus submitting the specifics to you at this time.

Enclosed are photographs of the house prior to repairs or reconstruction.







We did not take up-close photographs of the existing windows prior to renovation.

We did not document dimensions of the existing windows prior to renovation.

Below are photos of the new windows installed on the house. The new windows installed are Quaker Brighton Series aluminum clad wood windows. Please see the enclosed cut-sheets for the window details.







729 Seward Window Submittal

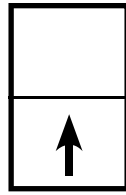
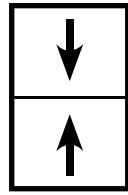
Please review and let us know of any further questions or specifics you may need.

Thank you,

Brian V. Hurttienne, FAIA
Christian Hurttienne Architects
15324 E Jefferson, Suite 5, Grosse Pointe Park, MI 48230
brian@cha-c.com
313-850-6689



QUAKER
COMMERCIAL WINDOWS AND DOORS



Brighton Series
R-50
6" Frame Depth
Double Hung/Single Hung

BRIGHTON SERIES DOUBLE HUNG/SINGLE HUNG

The Quaker Brighton Series Double Hung/Single Hung window is ideal for a variety of applications including - Energy Efficient, Apartments, Assisted Living and Housing Authority.

FEATURES

- ◇ Commercial Framing System
 - 6" main frame
- ◇ Enhanced Design
 - Extruded clad exterior, pine interior
- ◇ Glazing
 - ¾" insulated glass
- ◇ Hardware
 - Two block and tackle balancers and vinyl step jamb liners
 - Self-aligning cam-type locks
- ◇ Screen
 - Extruded aluminum screen frame with BetterVue™ mesh

OPTIONS

- ◇ Available Configurations
 - Double Hung
 - Single Hung
 - Bay or bow unit
- ◇ Muntin Choices
 - Internal, wood removable or simulated divided lites available
- ◇ Limited travel hardware
- ◇ Nailing Fin
- ◇ Screen
 - Extruded aluminum screen frame with aluminum wire mesh
 - Extruded aluminum screen frame with sunscreen mesh
 - Extruded aluminum screen frame with stainless steel 0.009" thickness mesh
- ◇ Glazing
 - Capillary tubes
 - Argon gas
 - Wide variety of glazing, tinting and thickness options
- ◇ Panning & Trim Choices
 - Wide variety of panning, receptor and trim available
- ◇ Mulling
 - Wide variety of structural mulls

BENEFITS

- ◇ The capacity to match exterior colors for unique project facades
- ◇ The ability to facilitate large sizes for taller and wider window openings

PERFORMANCE

- ◇ Structural & Thermal (test reports or thermal simulations available upon request)

Model	Double Hung/Single Hung
AAMA/WDMA/CSA 101/IS.2/A440-08 Rating	R-50
Structural Load P.S.F.	75.19
Air at 50 MPH (cfm/ft ²)	0.04
Water (No Penetration) P.S.F.	7.52
U-Value (with Low-E and Argon)	0.28-0.32
SHGC (with Low-E and Argon)	0.12-0.29

Window test size: 36" × 84"
Operating Force: 22 lbf (maintain motion), 3 lbf (locks)



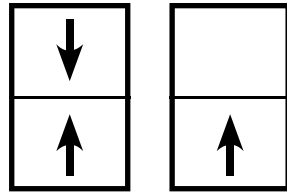
Our products are tested to the standards of and certified by the American Architectural Manufacturer's Association, the National Fenestration Rating Council and the Window & Door Manufacturers Association.



QUAKER
COMMERCIAL WINDOWS AND DOORS



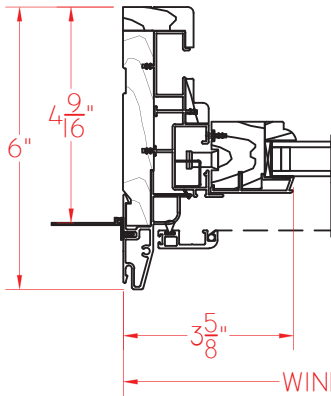
QUAKER
COMMERCIAL WINDOWS AND DOORS



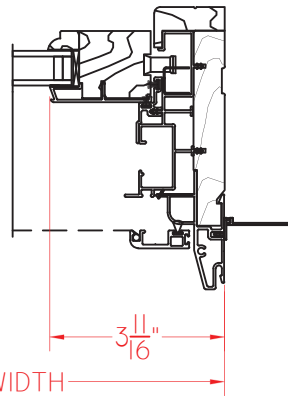
Brighton Series
R-50
6" Frame Depth
Double Hung/Single Hung

BRIGHTON DH/SH

② HORIZONTAL CROSS SECTION

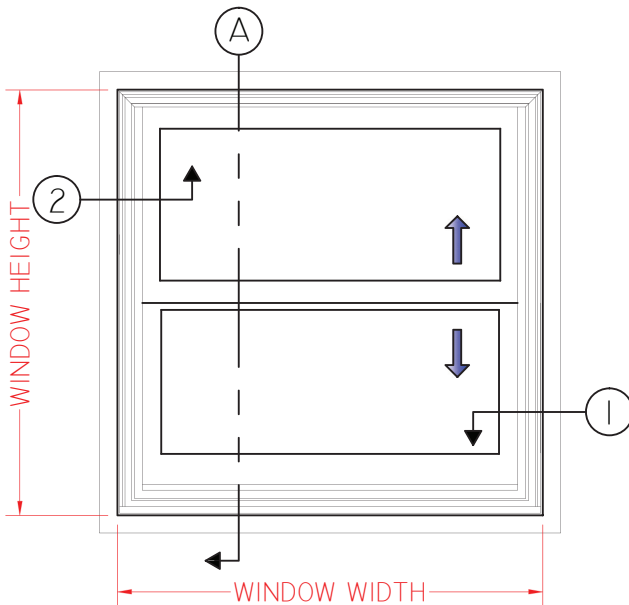
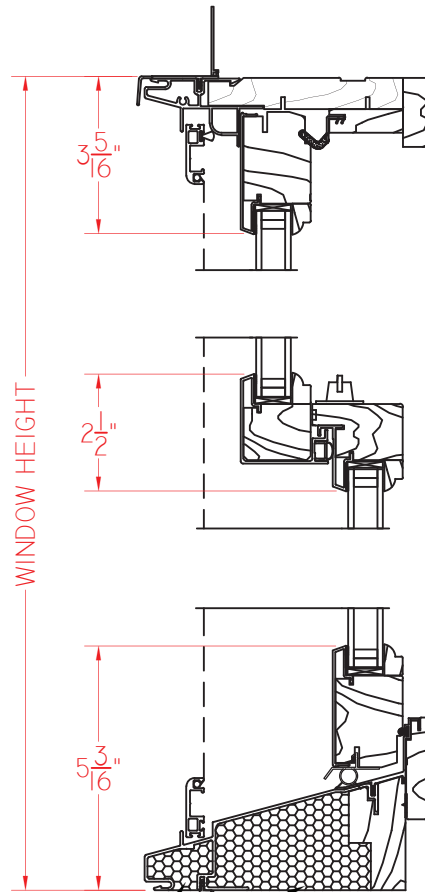


① HORIZONTAL CROSS SECTION



This document contains confidential and proprietary information intended for the private use of Quaker.
© 2016 Quaker Window Products Co., INC. All rights reserved.
Quaker reserves the right to change any/all designs without notice.
Due to periodic re-certification requirements, result shown may vary.

Ⓐ VERTICAL CROSS SECTION



ELEVATION SCALE 3/4" = 1'-0"

INSTALLER TO FILL CAVITY WITH FIBERGLASS INSULATION BEFORE SETTING WINDOW

BRIGHTON DOUBLE HUNG 12-29-2015 VERSION 3.0

SCALE 1:4

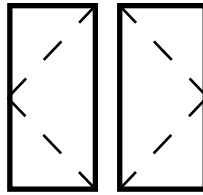
Our products are tested to the standards of and certified by the American Architectural Manufacturer's Association, the National Fenestration Rating Council and the Window & Door Manufacturers Association.



QUAKER
COMMERCIAL WINDOWS AND DOORS



QUAKER
COMMERCIAL WINDOWS AND DOORS



BRIGHTON
SERIES

**Brighton Series
LC-60
6" Frame Depth
Casement**

BRIGHTON SERIES CASEMENT

The Quaker Brighton Series Casement window is ideal for a variety of applications including - Energy Efficient, Apartments, Assisted Living and Housing Authority.

FEATURES

- ◇ Commercial Framing System
 - 6" main frame
- ◇ Enhanced Design
 - Extruded clad exterior, pine interior
- ◇ Glazing
 - ¾" insulated glass
- ◇ Hardware
 - Multi-point locking system with single latch
- ◇ Screen
 - Extruded aluminum screen frame with BetterVue™ mesh

OPTIONS

- ◇ Available Configurations
 - Project-out casement
- ◇ Muntin Choices
 - Internal or simulated divided lites available
- ◇ Hardware
 - Egress hardware
 - Limited travel hardware
- ◇ Nailing Fin
- ◇ Screen
 - Extruded aluminum screen frame with aluminum wire mesh
 - Extruded aluminum screen frame with sunscreen mesh
 - Extruded aluminum screen frame with stainless steel 0.009" thickness mesh
- ◇ Glazing
 - Capillary tubes
 - Argon gas
 - Wide variety of glazing, tinting and thickness options
- ◇ Panning & Trim Choices
 - Wide variety of panning, receptor and trim available
- ◇ Mulling
 - Wide variety of structural mulls

BENEFITS

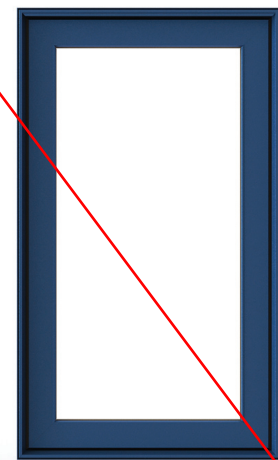
- ◇ The capacity to match exterior colors for unique project facades
- ◇ The ability to facilitate large sizes for taller and wider window openings

PERFORMANCE

- ◇ Structural & Thermal (test reports or thermal simulations available upon request)

Model	Casement
AAMA/WDMA/CSA 101/I.S.2/A440-08 Rating	LC-60
Structural Load P.S.F.	90.23
Air at 50 MPH (cfm/ft ²)	<0.01
Water (No Penetration) P.S.F.	9.19
U-Value (with Low-E and Argon)	0.28-0.32
SHGC (with Low-E and Argon)	0.12-0.28

Window test size: 36" × 72"
Operating Force: 2 lbf (Initiate motion), 1 lbf (Latches)



Our products are tested to the standards of and certified by the American Architectural Manufacturer's Association, the National Fenestration Rating Council and the Window & Door Manufacturers Association.



QUAKER
COMMERCIAL WINDOWS AND DOORS

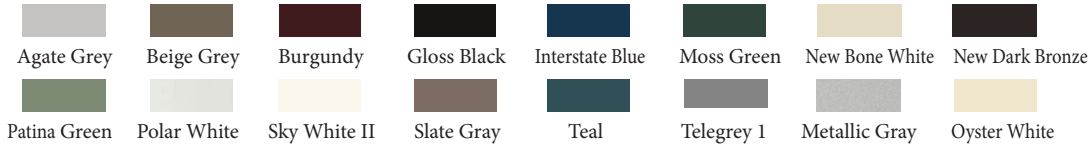
ARCHITECTURAL PAINT COATINGS AND FINISHES

◇ Baked on powder coat finish meets ANSA/AAMA 2604 specs and is available in unlimited colors

- 11 Popular Colors



- 16 Impressive Colors



- 7 Resemble Colors (painted finish resembling anodized)



- Unlimited Custom Colors

* Printed colors shown here may not accurately depict actual painted colors. Color samples are available upon request.

◇ ANSA/AAMA 2605 powder coat finishes

◇ AAMA 611-98 Class I clear and tinted anodized finishes

Our products are tested to the standards of and certified by the American Architectural Manufacturer's Association, the National Fenestration Rating Council and the Window & Door Manufacturers Association.



QUAKER
COMMERCIAL WINDOWS AND DOORS