



Detailed Product Description

Frame

- Frame is Duracast® fiberglass composite – five-layer pultruded fiberglass material [with optional foam insulation₁], reinforced with a Pella patented interlocking mat.
- Overall frame depth is 3-1/4".
- Nominal wall thickness of Duracast fiberglass composite members is .070" to 0.135" thick.
- Frame corners are mitered, joined and bonded with corner lock, mechanical fasteners and with injected polyurethane adhesive sealant.
- Jamb contain factory-positioned installation screw locations.

Exterior / Interior

- Duracast fiberglass composite surfaces with powder-coat paint finish.
 - Color is [White] [Brown] [Black].
 - or -
 - Dual-color option [Brown] [Black] exterior with White interior.

Glazing System

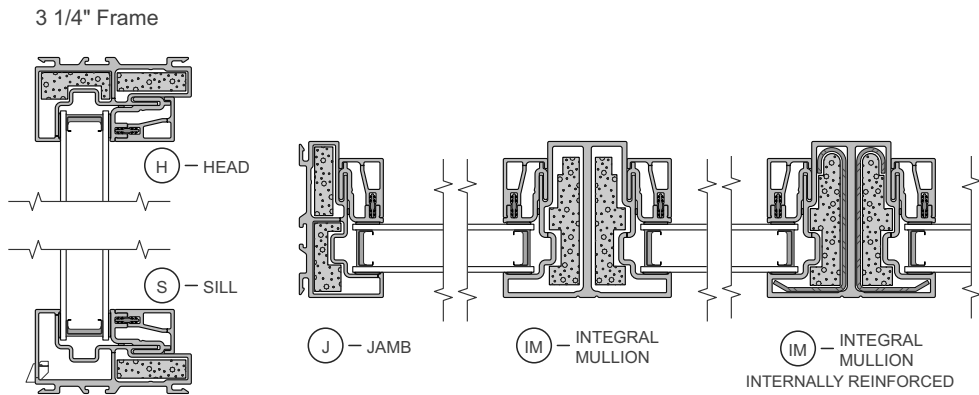
- Quality float glass complying with ASTM C 1036.
- Glazing Serviceability [Exterior and Interior access required - Wet glaze PUR sealant] [Interior access only required - Dry glaze foam tape]
- Dual-Pane 1" insulating glass [[annealed] [tempered]] [obscure₂] [clear] [[Advanced] [SunDefense™] [AdvancedComfort] [NaturalSun] Low-E coated, [with argon]] [[bronze] [gray] [green] Advanced Low-E [with Argon]] sealed and bonded to frame.
- High altitude glazing available.
 - or
- Triple-Pane 1-1/4" insulating glass [[annealed] [tempered]] [obscure₂] [clear] [[Advanced] [NaturalSun] Low-E coated [with argon]]
 - or
- Open glaze also available - frame, glass stops, glass stop covers only.

Optional Products

Grilles

- Grilles-Between-the-Glass
 - Insulating glass contains 3/4" contoured aluminum grilles permanently installed between two panes of glass.
 - Grilles are factory pre-finished [White] [Brown] [Black].
- Interior and Exterior Applied grilles
 - 1-5/8" aluminum grilles are applied to the interior and exterior of glass.
 - Grilles are factory pre-finished [White] [Brown] [Black].

Foam Insulation Inserts₁



(1) Foam insulation inserts are not available with clear glazing.

(2) Obscure glazing is not available when AdvancedComfort Low-E coated IG is specified.

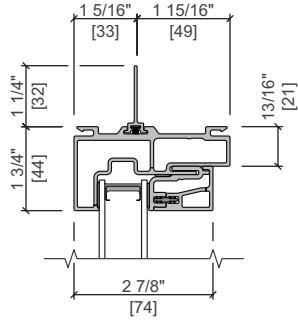


Impervia® Fixed Frame Windows

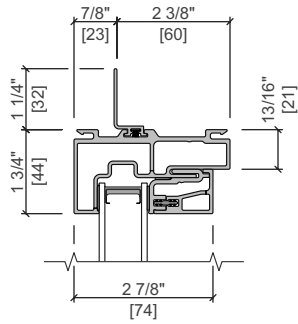
Unit Sections

NEW CONSTRUCTION FRAME

Standard Nail Fin

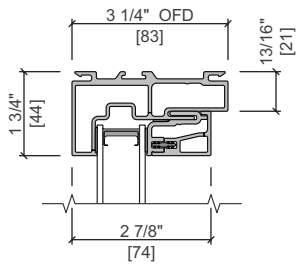


with Offset Fin



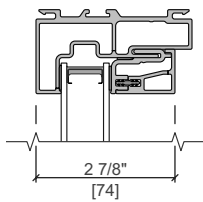
REPLACEMENT FRAME

Standard Block Frame

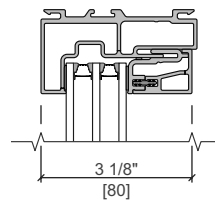


GLAZING OPTIONS

1" IG



1 1/4" TRIPLE PANE IG



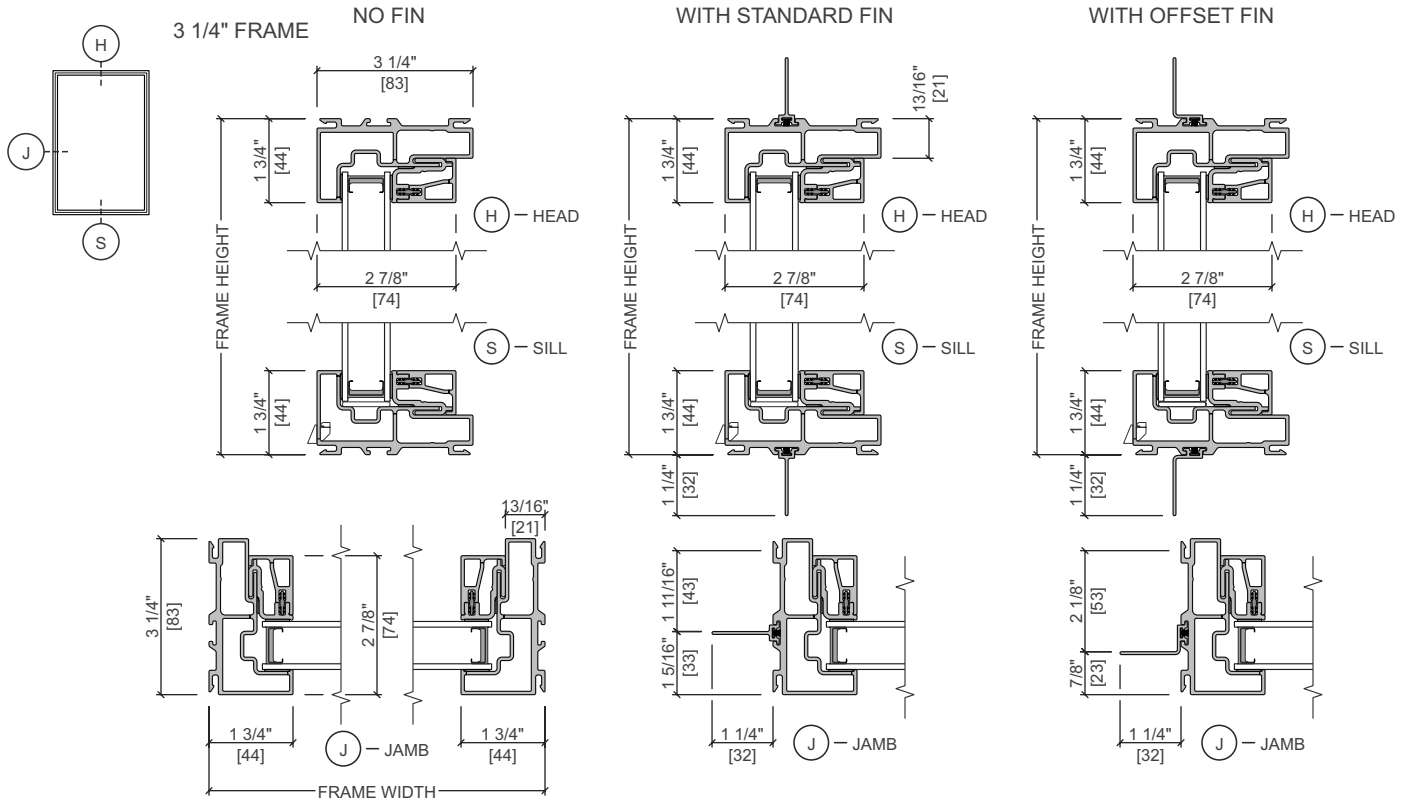
Scale 3" = 1' 0"

All dimensions are approximate.



Impervia® Fixed Frame Windows

Unit Sections



Scale 3" = 1' 0"

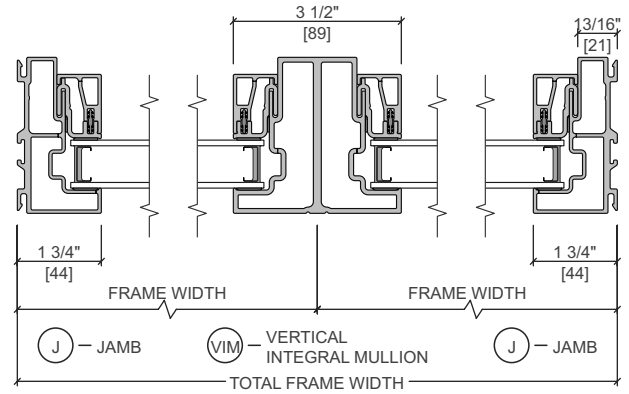
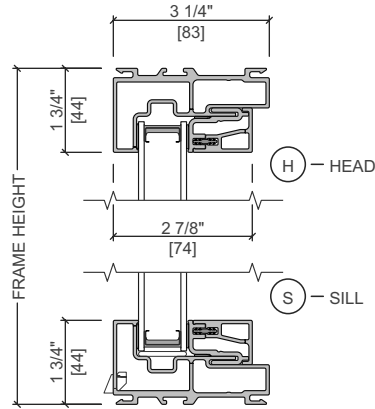
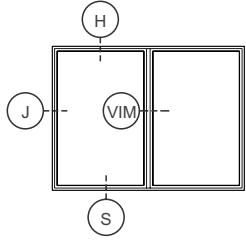
All dimensions are approximate.



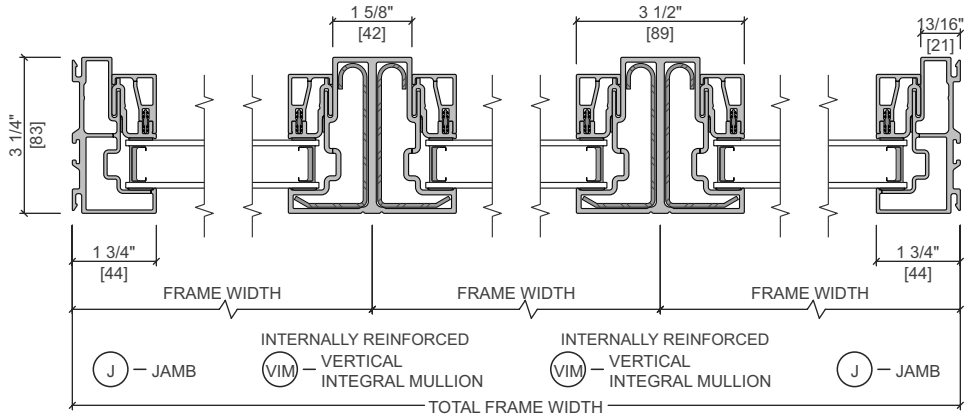
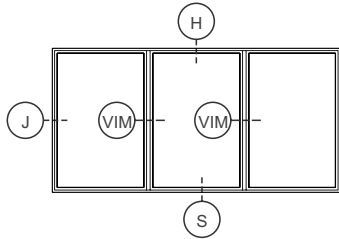
Impervia® Fixed Frame Windows

Unit Sections - Composites

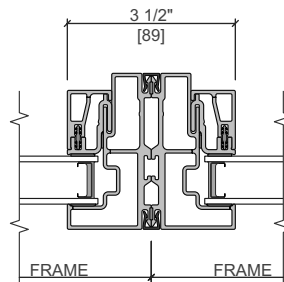
TWO WIDE HORIZONTAL UNIT



THREE WIDE HORIZONTAL UNIT



COMBINATION



JOINING MULLION WITH TAPE (Vertical Only)

Scale 3" = 1' 0"

All dimensions are approximate.

See the Combinations section for mullion applications and structural limitations.