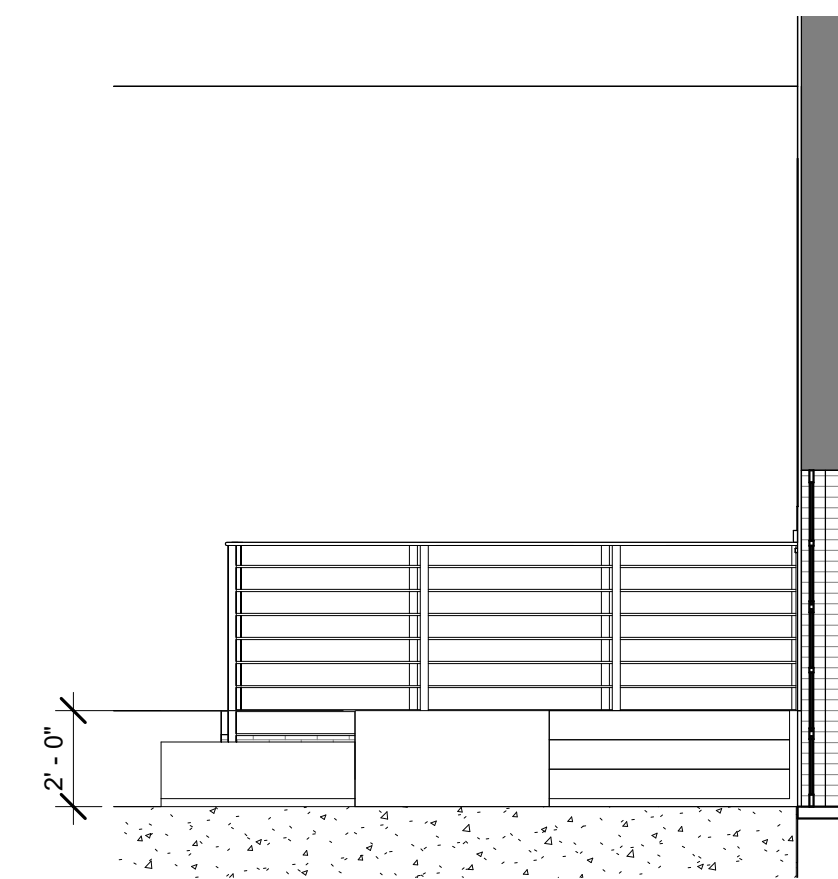
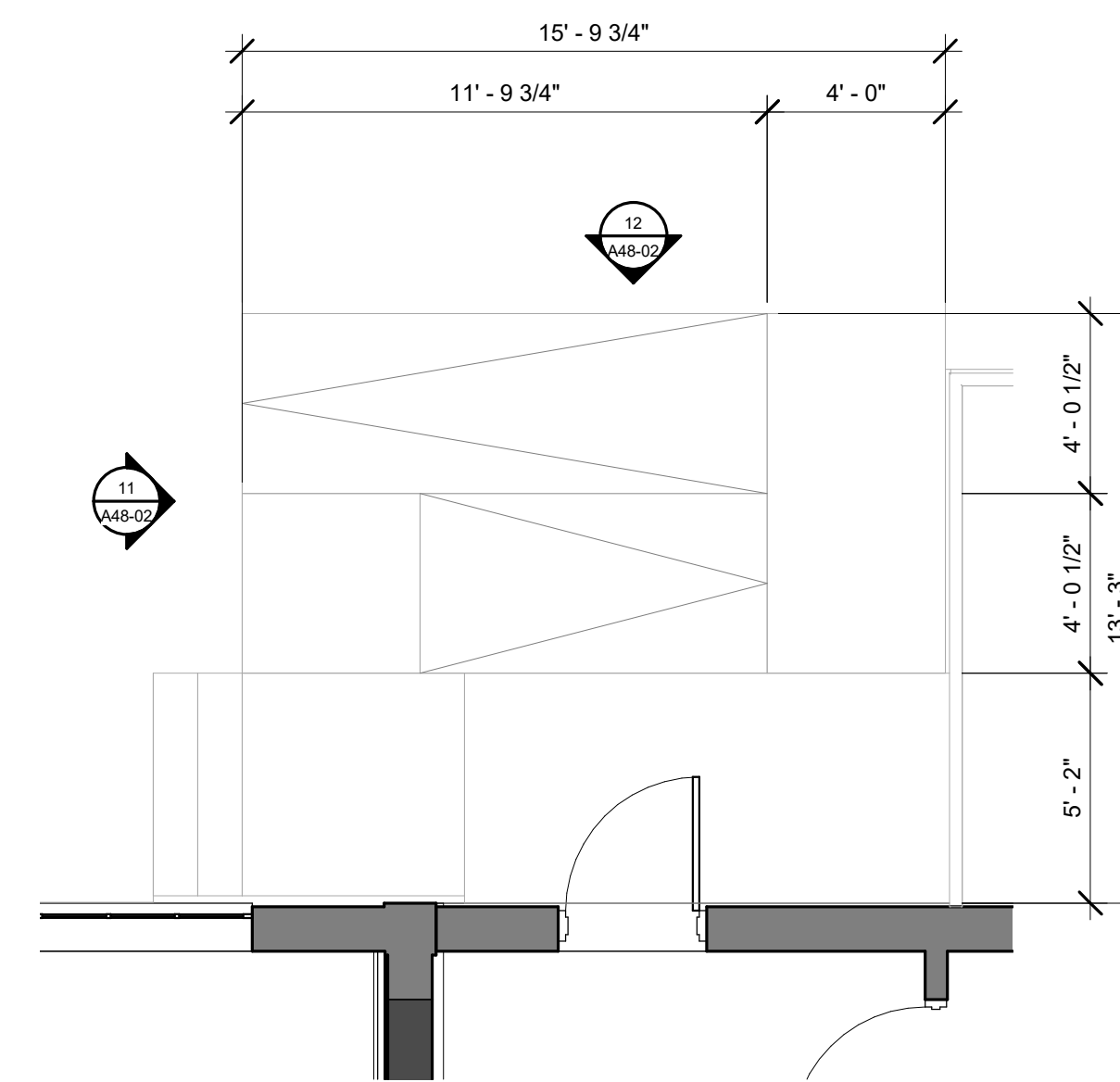


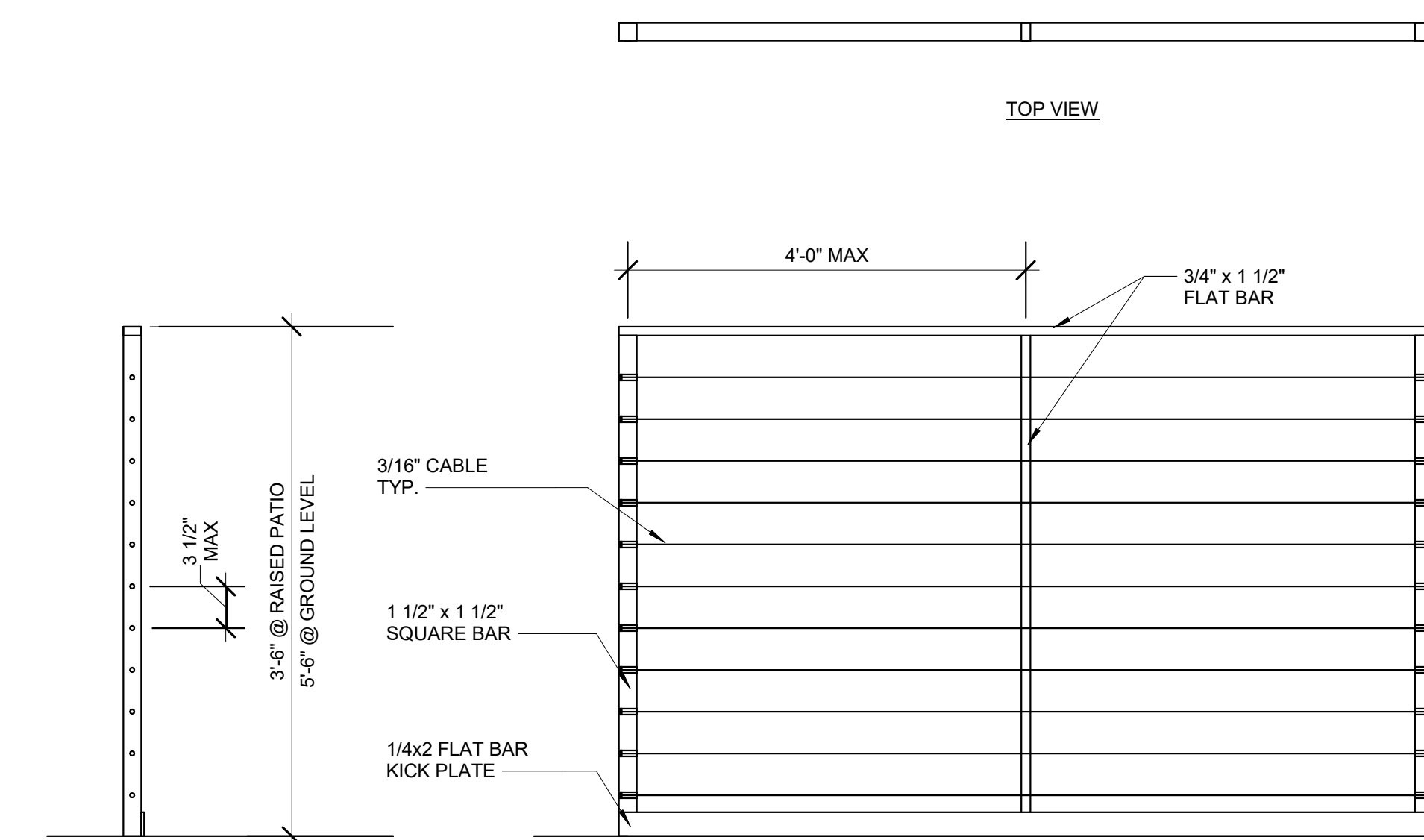
12 STAIR B ADA ACCESS RAMP - EAST ELEVATION
 SCALE: 1/4\"/>



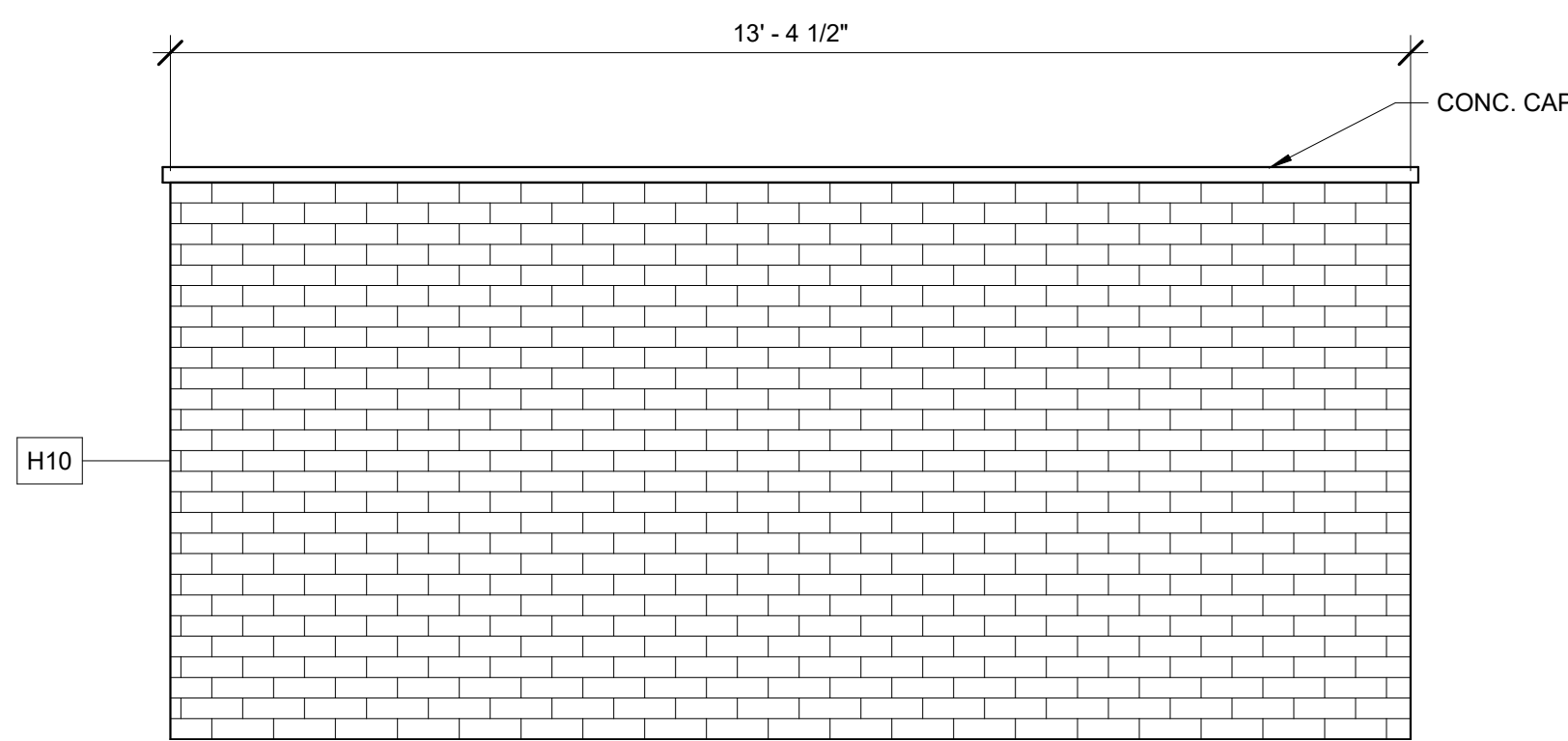
11 STAIR B ADA ACCESS RAMP - NORTH ELEVATION
 SCALE: 1/4\"/>



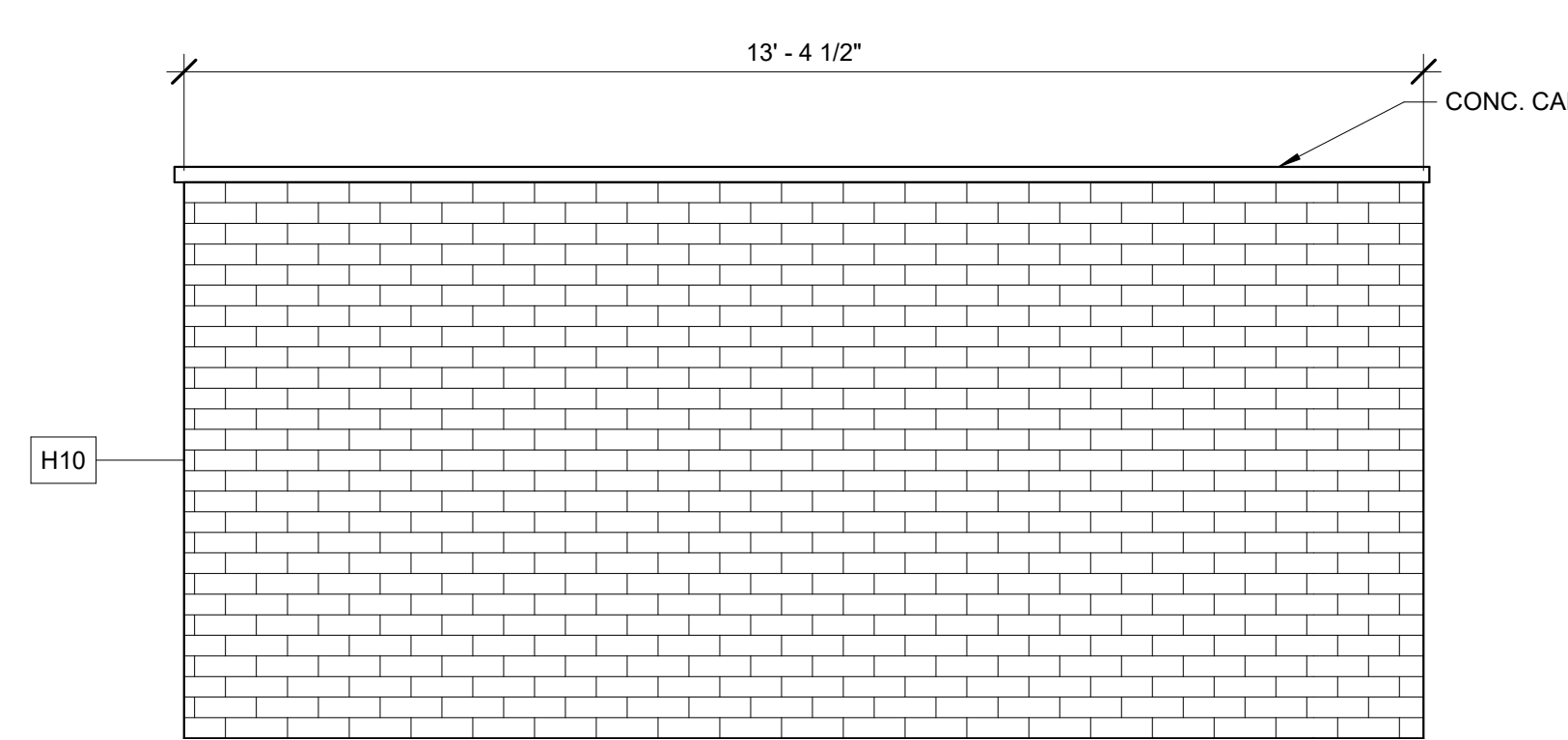
10 STAIR B ADA ACCESS RAMP - ENLARGED PLAN
 SCALE: 1/4\"/>



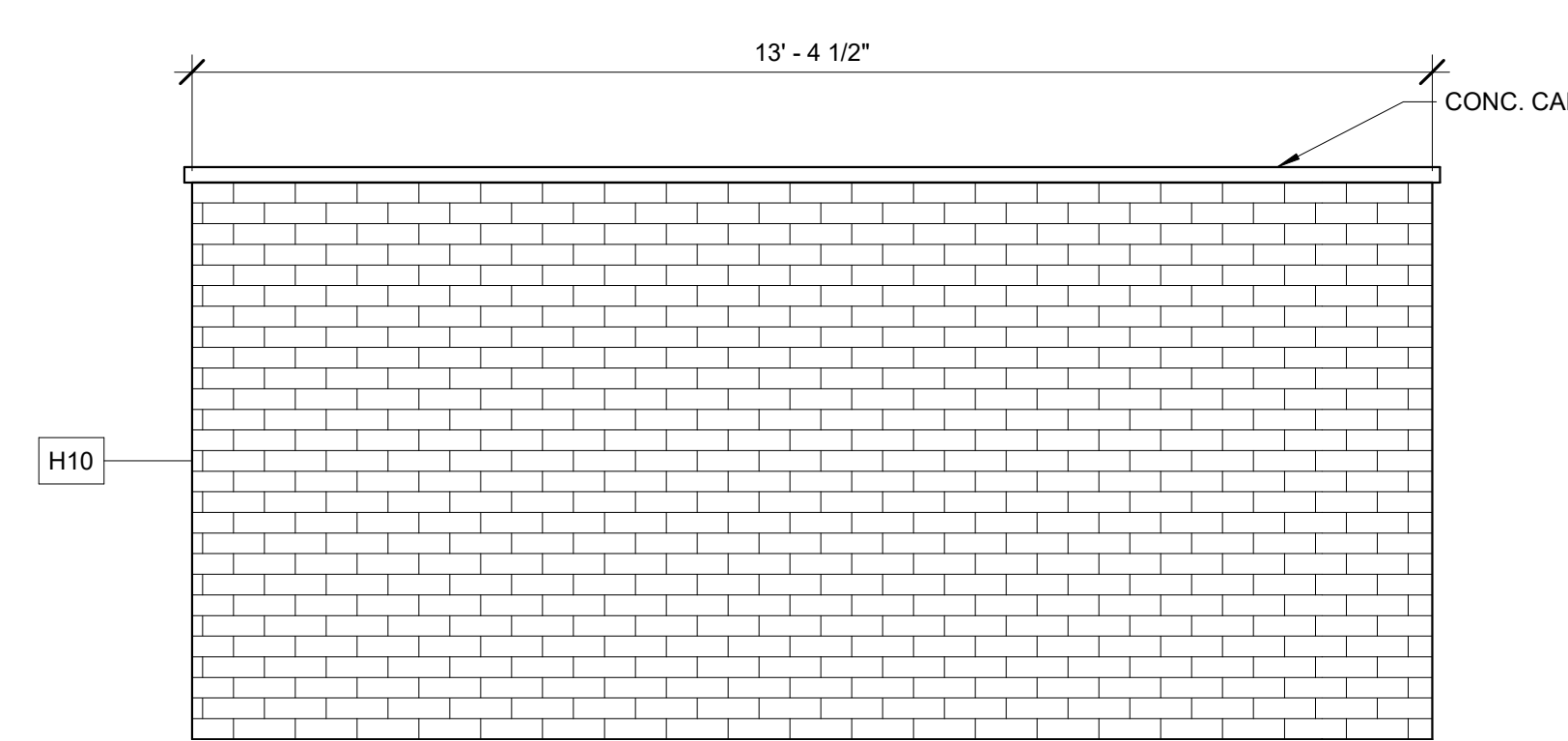
9 CABLE RAIL DETAIL
 SCALE: 1\"/>



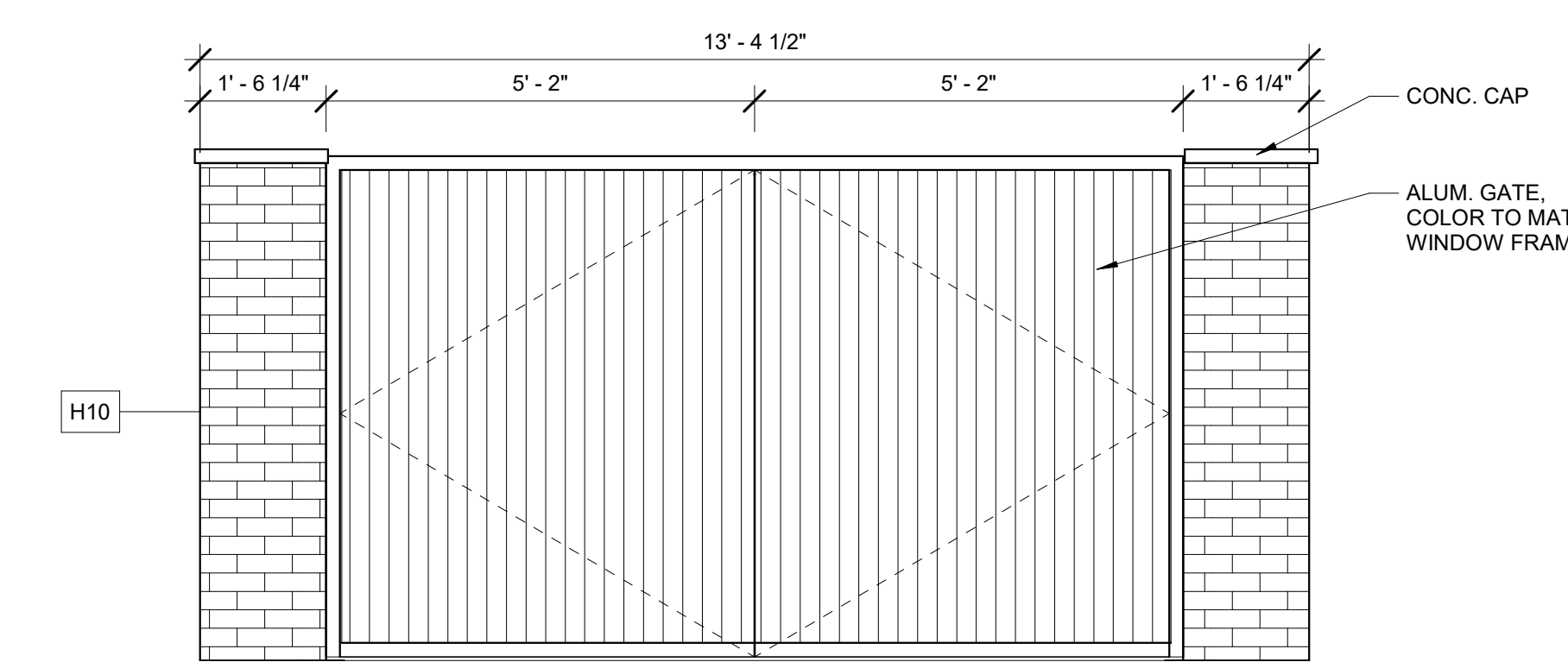
8 DUMPSTER ENCLOSURE - NORTH ELEVATION
 SCALE: 1/2\"/>



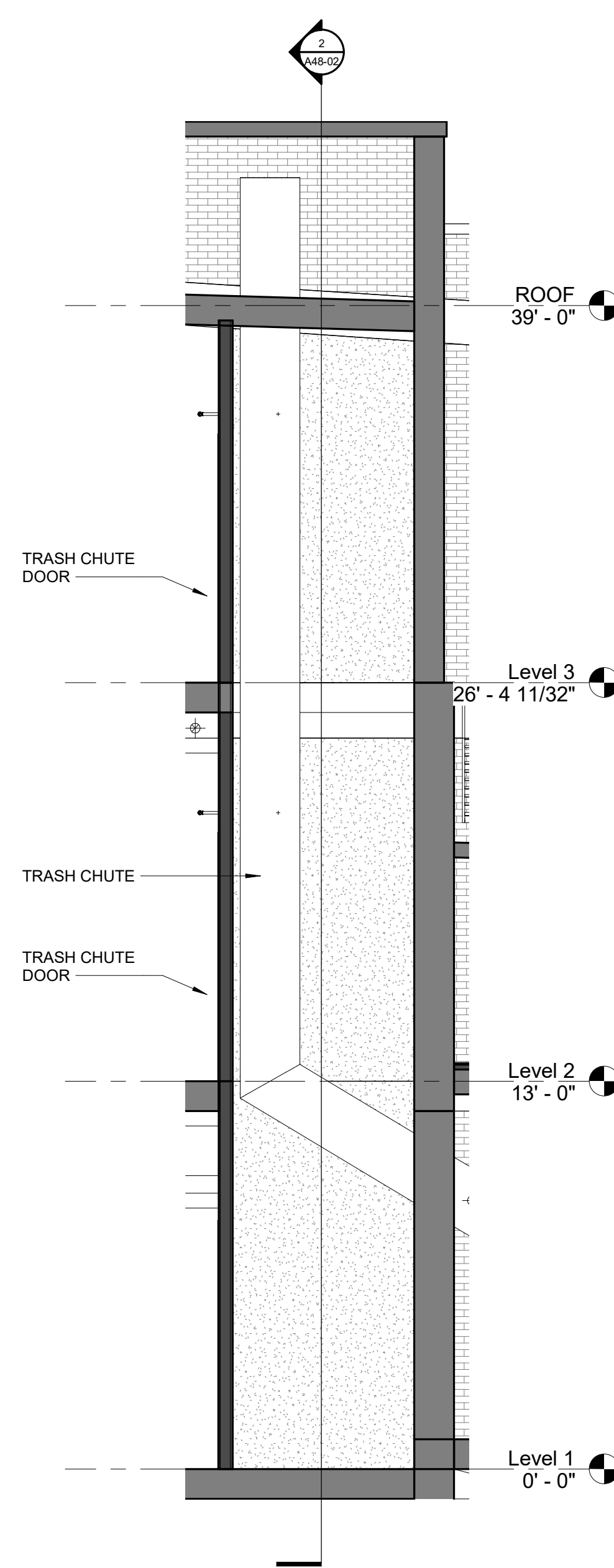
7 DUMPSTER ENCLOSURE - EAST ELEVATION
 SCALE: 1/2\"/>



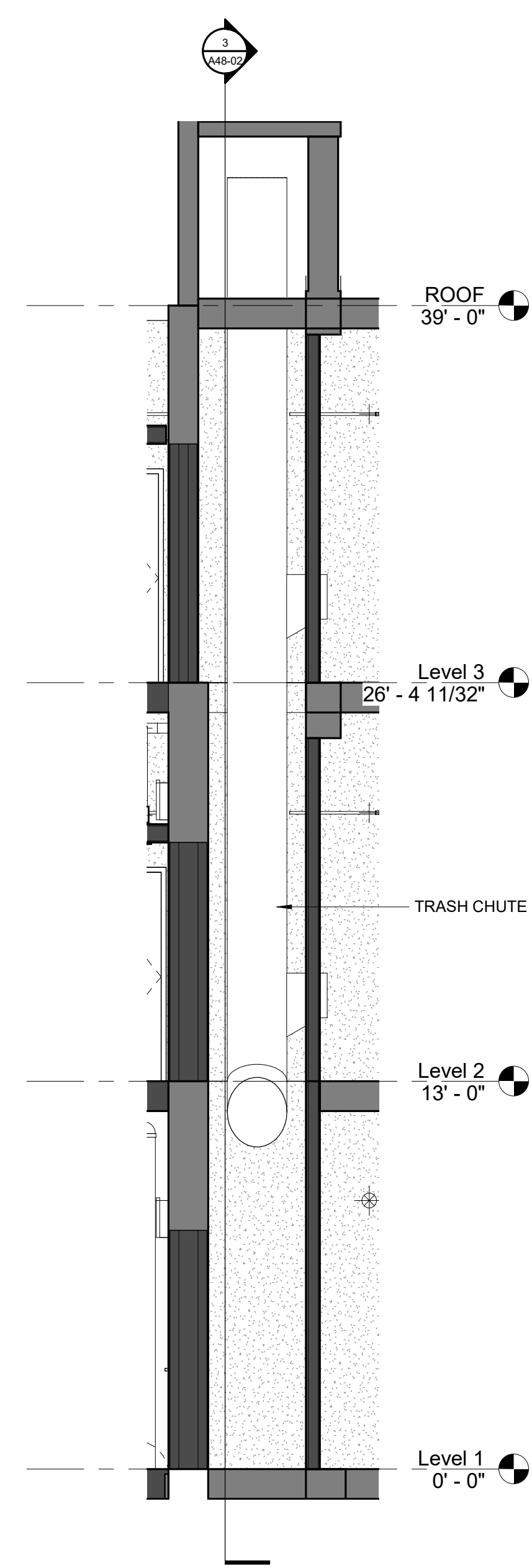
6 DUMPSTER ENCLOSURE - SOUTH ELEVATION
 SCALE: 1/2\"/>



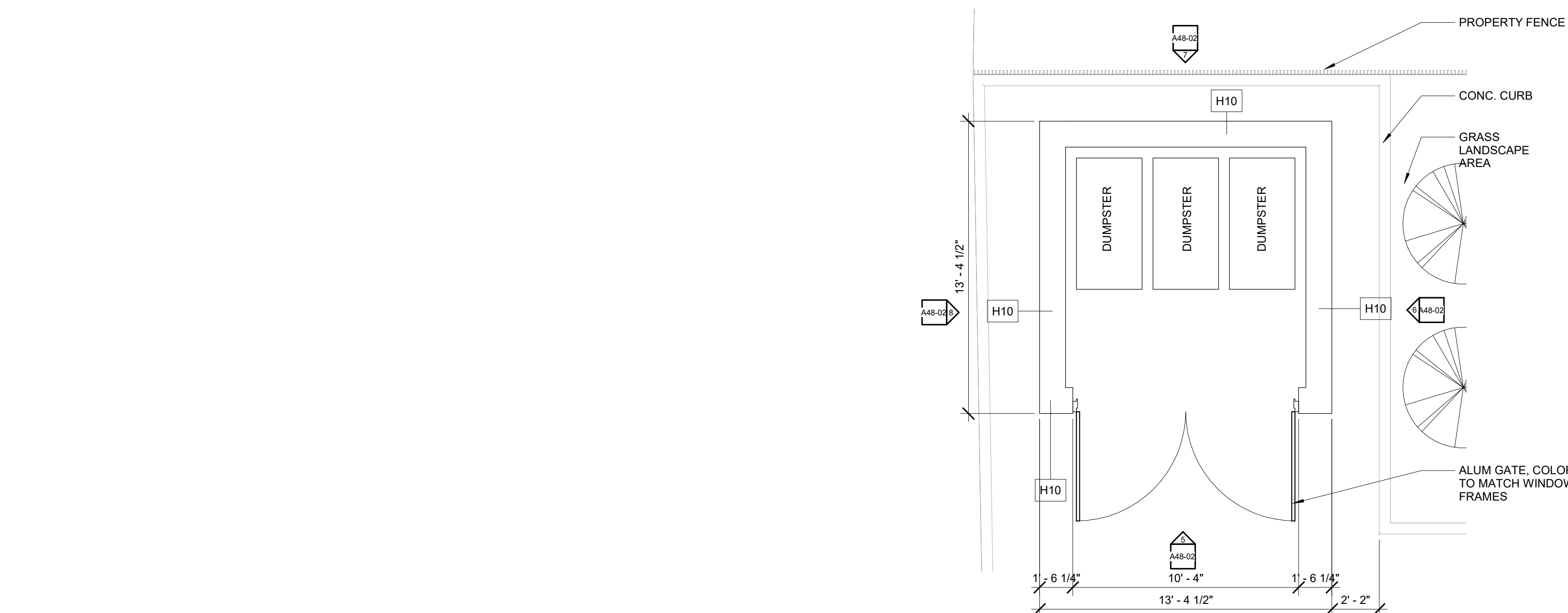
5 DUMPSTER ENCLOSURE - FRONT ELEVATION
 SCALE: 1/2\"/>



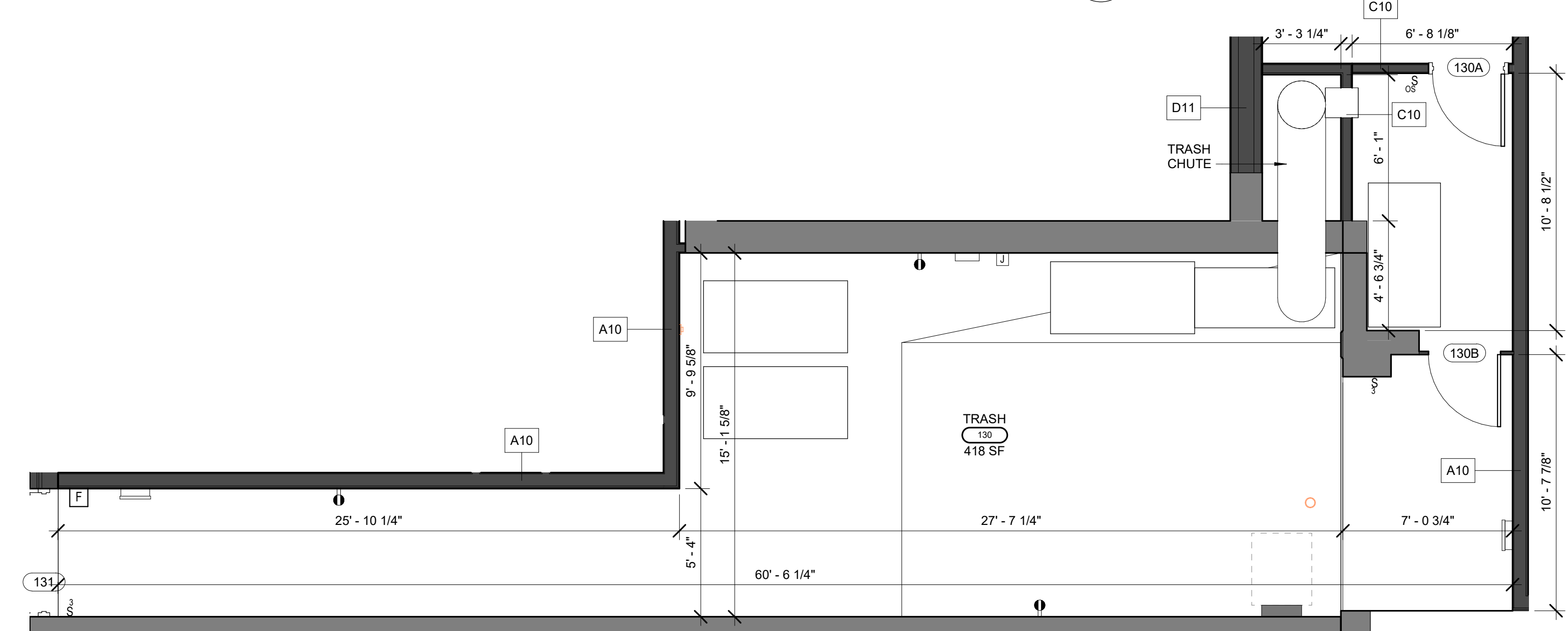
3 TRASH CHUTE ENLARGED SECTION 2
 SCALE: 1/4\"/>



2 TRASH CHUTE ENLARGED SECTION 1
 SCALE: 1/4\"/>



4 DUMPSTER ENCLOSURE - ENLARGED PLAN
 SCALE: 1/4\"/>



1 TRASH ROOM - ENLARGED PLAN
 SCALE: 1/4\"/>