



W-3500 | DOUBLE-HUNG

CLAD-WOOD WINDOWS

ARCHITECTURAL DESIGN MANUAL | December 2022

TABLE OF CONTENTS

PRODUCT INFORMATION

GENERAL INFORMATION	3
GRID PATTERNS	4
GRID OPTIONS	5
UNIT SIZING	6
CLEAR OPENING LAYOUT & OPERATION	7
TRIM & SILL NOSE OPTIONS	8
JAMB EXTENDER OPTIONS	9
MULLION OPTIONS	10

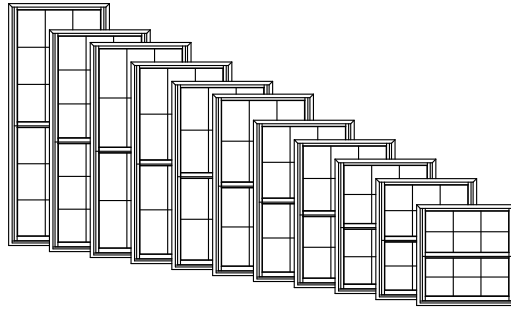
SECTION DETAILS

OPERATOR SECTIONS	11
STATIONARY SECTIONS	12

SIZING DETAILS

MIN-MAX STANDARD SIZING	13
-------------------------	----

GENERAL INFORMATION



Dimensional Windows

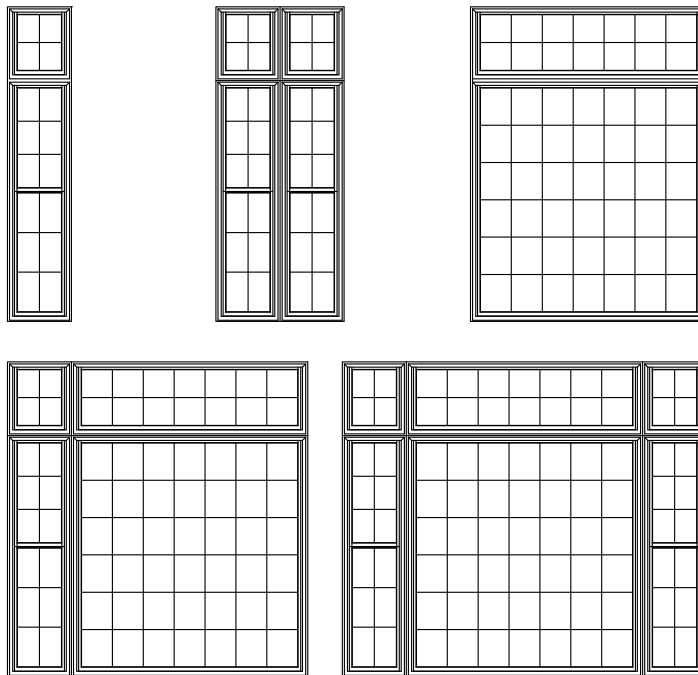
W-3500 Clad-Wood Double-Hung windows may be specified as "dimensional" by adjusting the desired rough opening width or height.

Operation

W-3500 Clad-Wood Double-Hung windows are available in operating or stationary (non-venting) configurations.

Multiple Assemblies

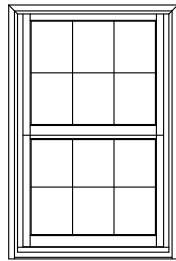
W-3500 Clad-Wood Double-Hung windows may be mullered to other clad-wood awning windows, or to other clad-wood window products, to fulfill a variety of architectural design needs.



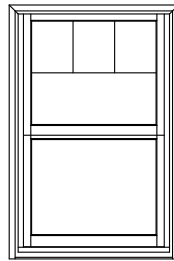
GRID PATTERNS

W-3500 Clad-Wood Double-Hung windows are available with removable grilles, Grilles Between Glass (GBG), or Simulated Divided Lites (SDL) in various widths and styles. The standard grid patterns are shown below.

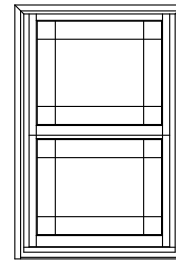
Special grid patterns can include a wide variety of straight line and radius patterns. Non-standard patterns are subject to factory approval.



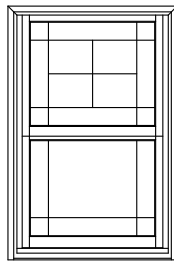
Colonial



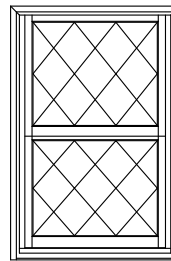
Colonial From Top Down



Prairie



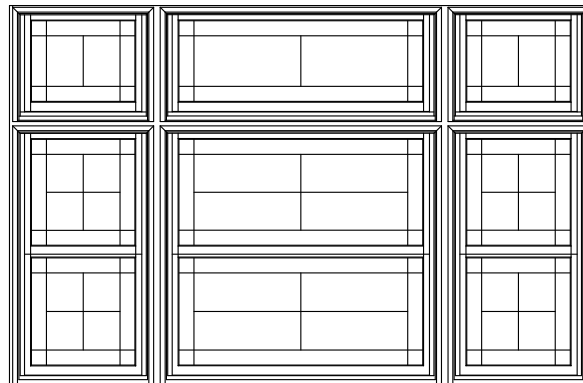
Uneven



Diamond

Bar Alignment

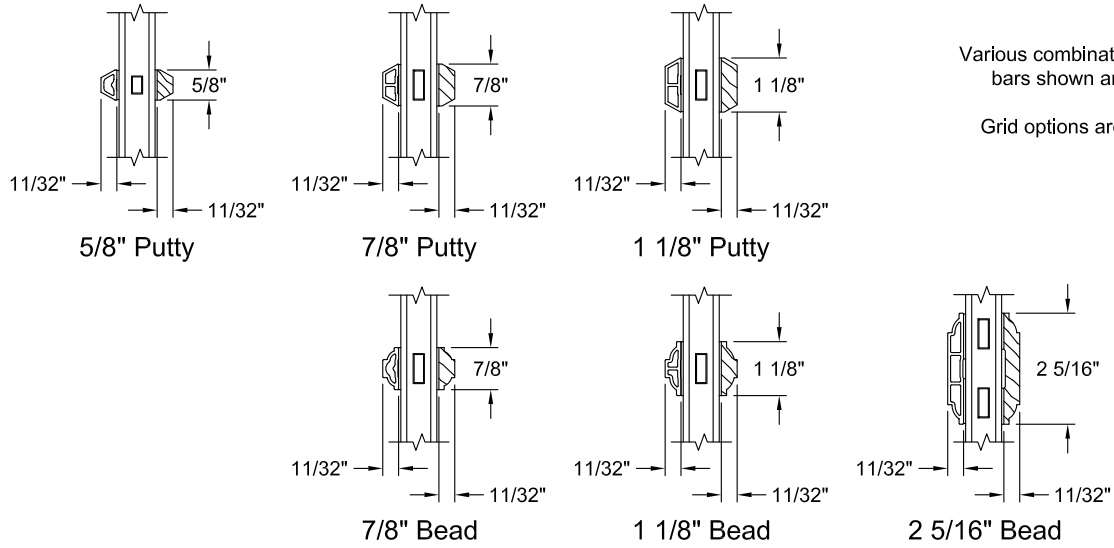
Alignment of bars from product to product is often required. SDL, GBG, and wood grilles may be specified with bars aligned.



GRID OPTIONS

Exterior ← → Interior

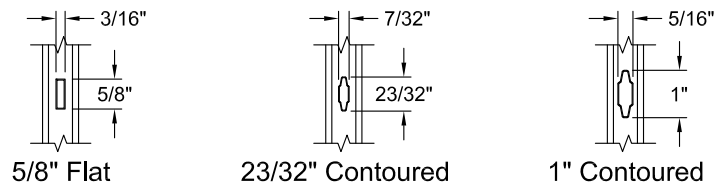
SDL Options



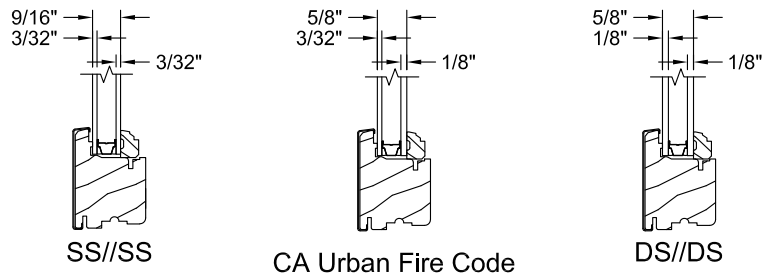
Various combinations of the SDL bars shown are available.

Grid options are permanent.

GBG Options



Glazing Options



UNIT SIZING

Rough Opening

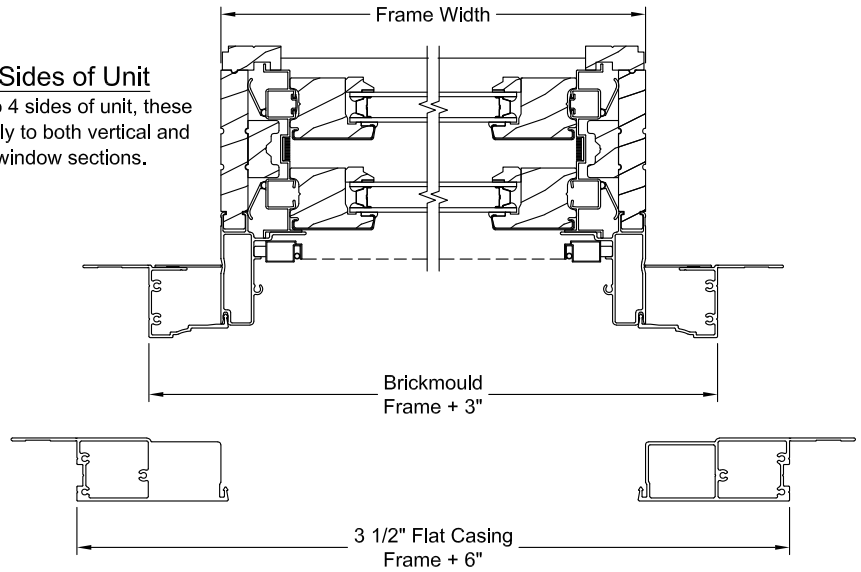
The frame size of the window plus 3/4"

Masonry Opening

The overall size of the window, including trim, plus 1/2".

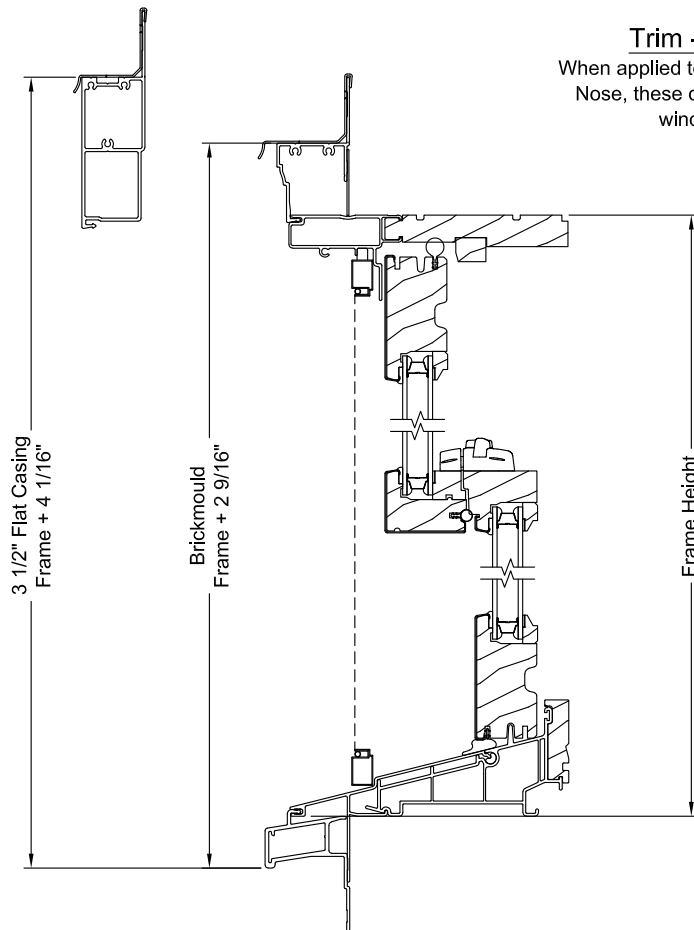
Trim - 4 Sides of Unit

When applied to 4 sides of unit, these dimensions apply to both vertical and horizontal window sections.



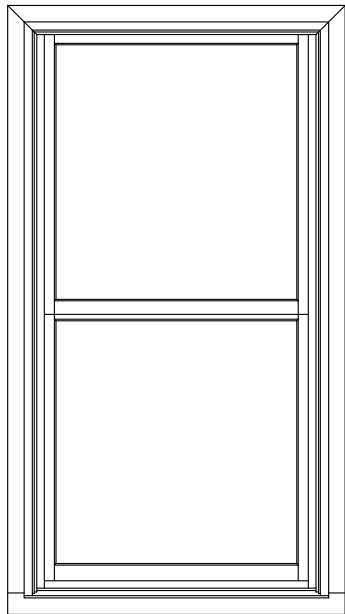
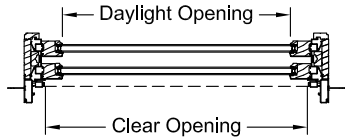
Trim - 3 Sides of Unit

When applied to 3 sides of unit, with a 1" Sill Nose, these dimensions apply to vertical window sections only.

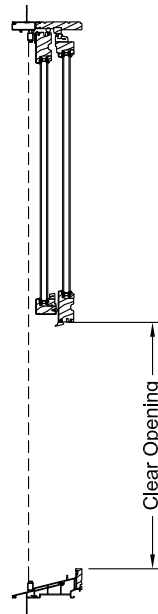


CLEAR OPENING LAYOUT & OPERATION

Clear Opening Formulas



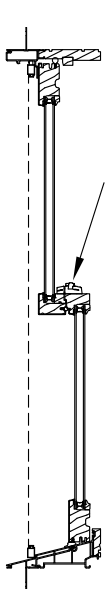
Standard Sash



Clear Opening Formulas
Vertical: $(\text{Frame Height} / 2) - 3 \frac{15}{16}"$
Horizontal: $\text{Frame Width} - 3 \frac{9}{16}"$

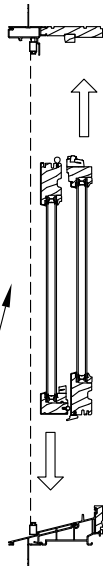
Daylight Opening Formulas
Vertical: $(\text{Frame Height} / 2) - 3 \frac{5}{16}"$
Horizontal: $(\text{Frame Width} - 5 \frac{11}{32}"$)

Operation & Sash Tilting

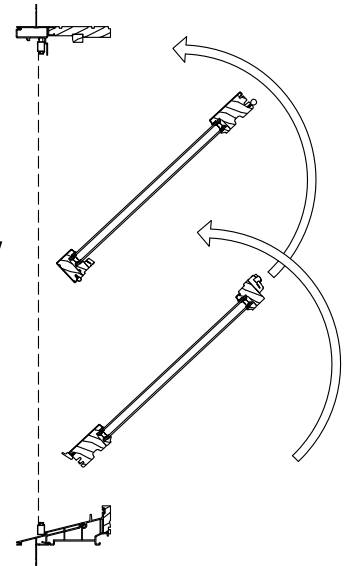


Double-Hung Operation:
When the sashes are locked at the check rails the sashes are closed and sealed in the sash opening of the frame.

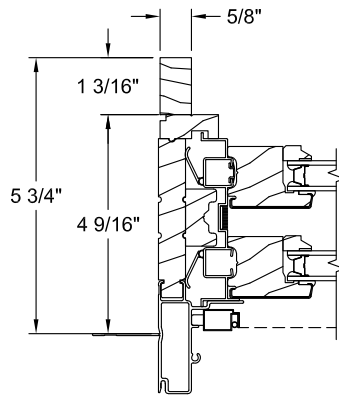
When the sashes are unlocked the lower sash travels vertically to any position desired. The upper sash can also be positioned as desired.



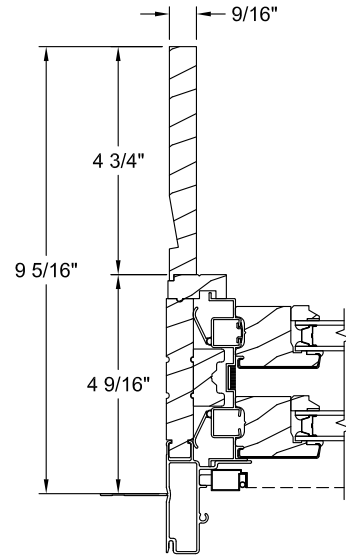
Sash Tilting for Washing:
The W-3500 Clad Double-Hung window will allow the sash to be tilted or removed for easy cleaning.



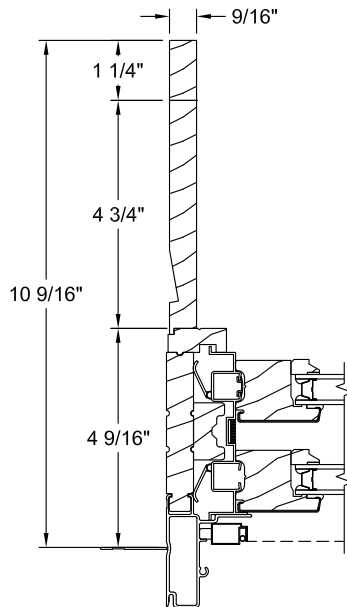
TRIM & SILL NOSE OPTIONS



5 3/4" Wall 4/4 (21/32")
Jamb Thickness (Option)

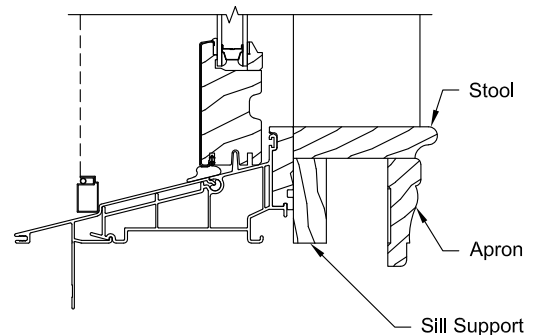


9 5/16" Wall Max
1-PC Jamb Extender



10 9/16" Wall
Max Wall Depth

Prep for Stool

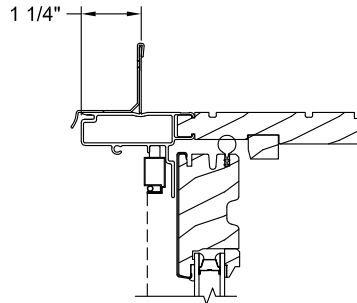


Stool, apron, and sill support are applied by trim carpenter after window is installed and are not provided by JELD-WEN.

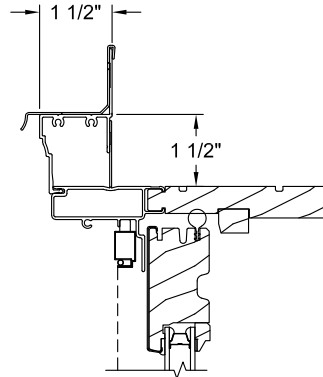
Unit is shipped without sill jamb extenders.

JAMB EXTENDER OPTIONS

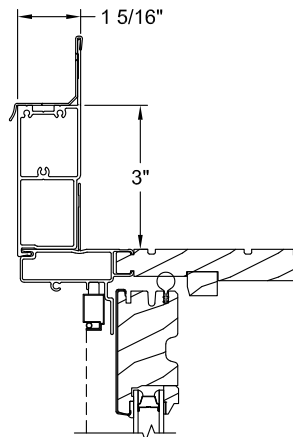
Trim Options



Standard

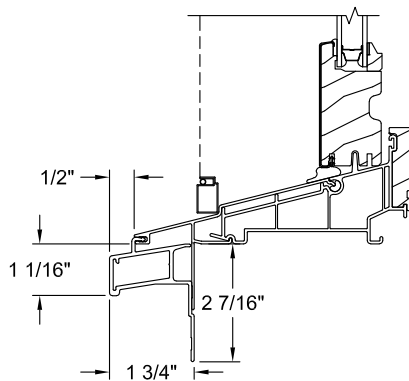


Brickmould

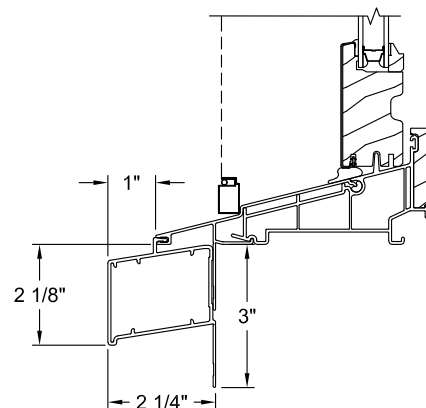


3 1/2" Flat Casing

Sill Nose Options

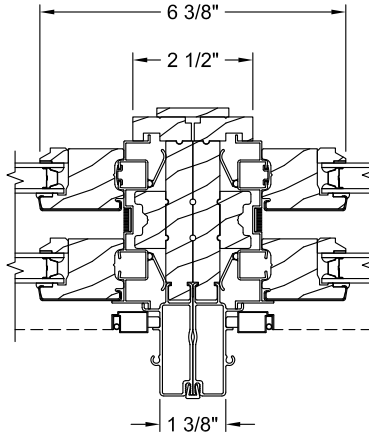


Sill With 1" Sill Nose Casing

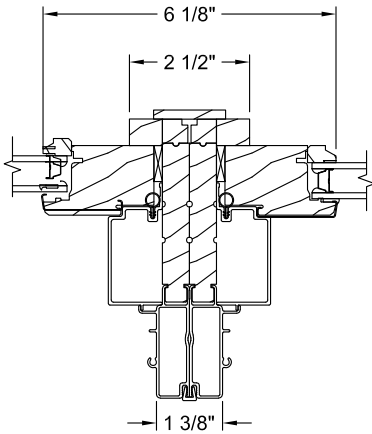


Sill With 2" Sill Nose Casing

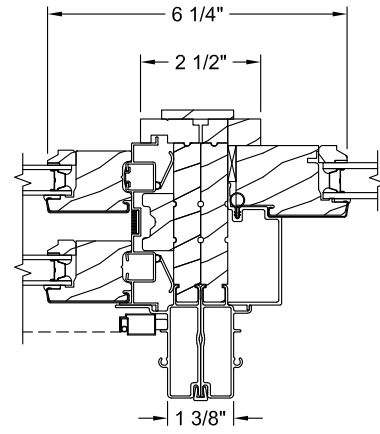
MULLION OPTIONS



Double-Hung | Double-Hung

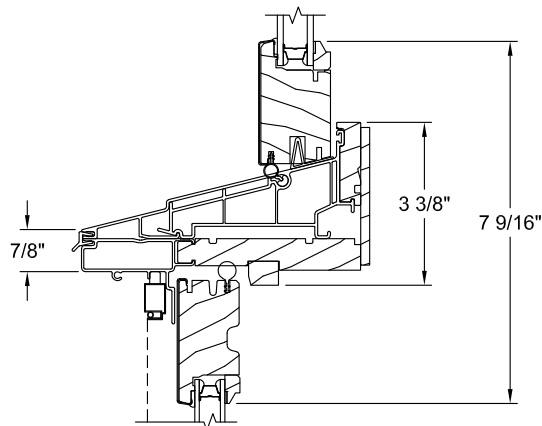


In-Sash Picture/Transom | In-Sash Picture/Transom

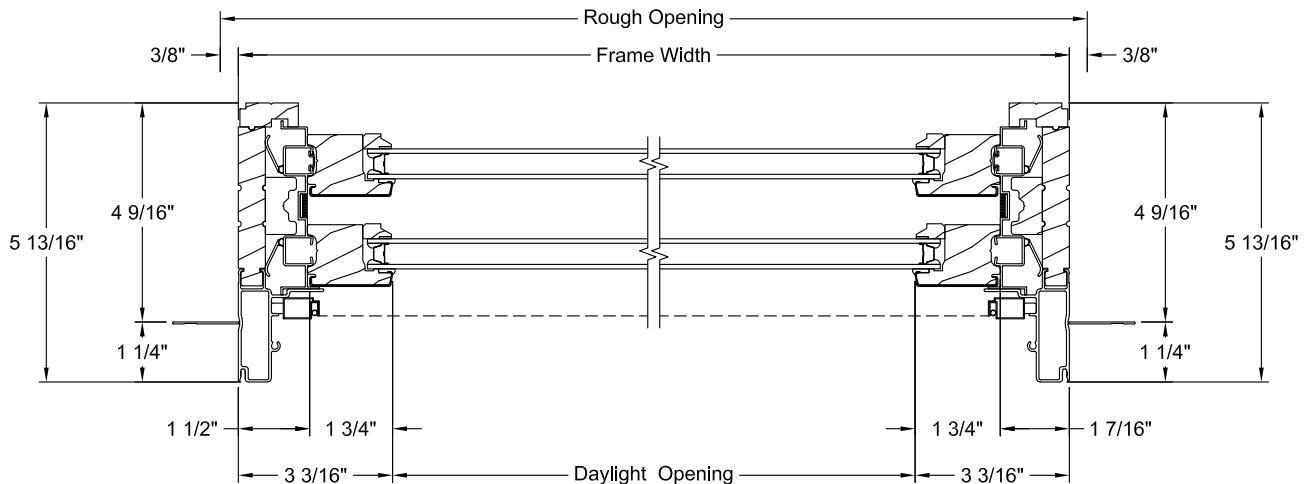
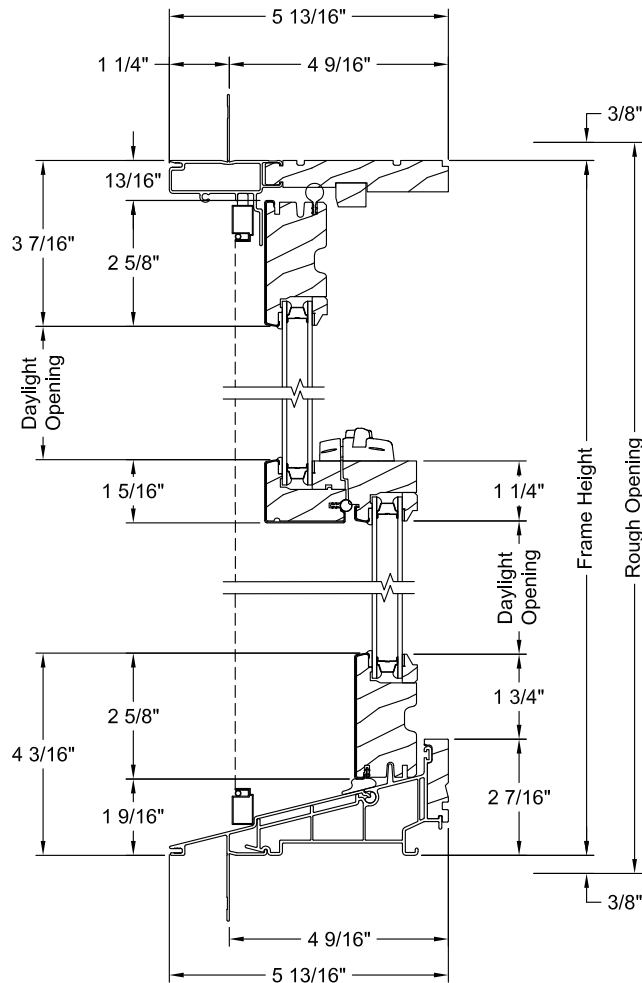


Double-Hung | In-Sash Picture/Transom

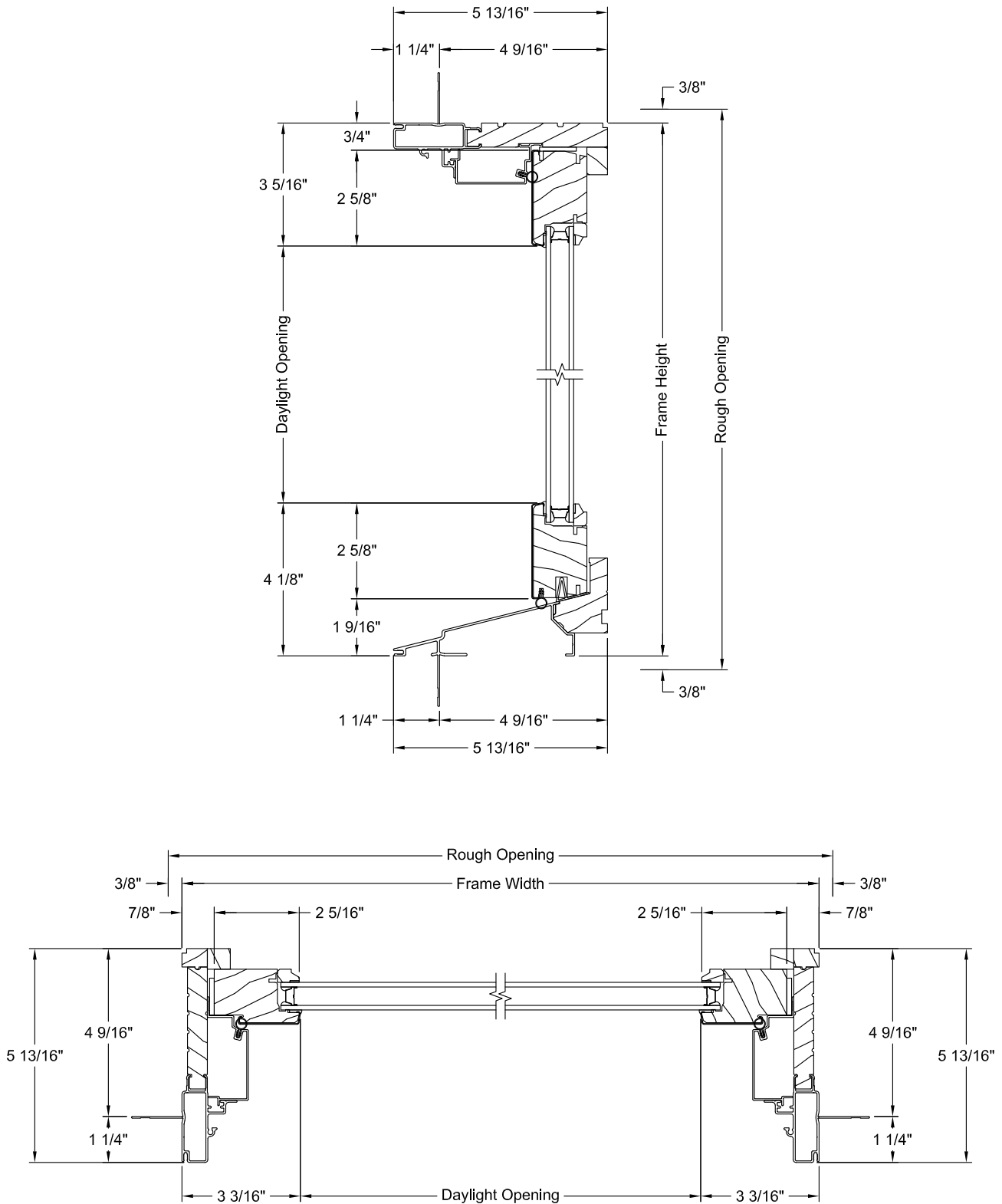
Double-Hung
Picture/Transom



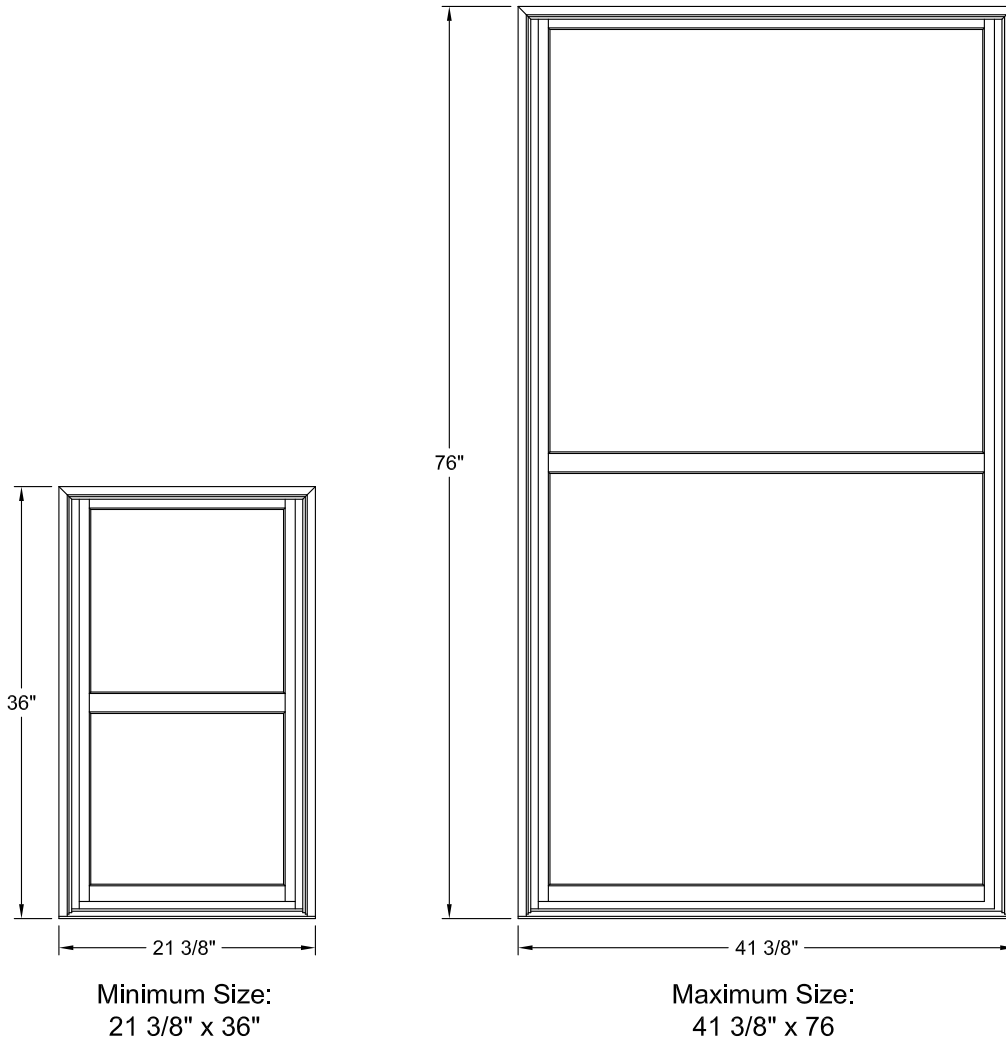
OPERATOR SECTIONS



STATIONARY SECTIONS



MIN-MAX STANDARD SIZING



Standard Widths				
21 3/8"	25 3/8"	29 3/8"	33 3/8"	41 3/8"
Standard Heights				
36"	40"	48"	52"	56"
60"	64"	68"	72"	76"

Standard Widths - Nominal				
19 1/4"	23 1/4"	27 1/4"	31 1/4"	35 1/4"
Standard Heights - Nominal				
36 1/4"	41 1/4"	47 1/4"	53 1/4"	59 1/4"
65 1/4"	71 1/4"			

Standard sizes are shown. Smaller or larger sizes may be available as custom orders.
Contact JELD-WEN Customer Service for more information.