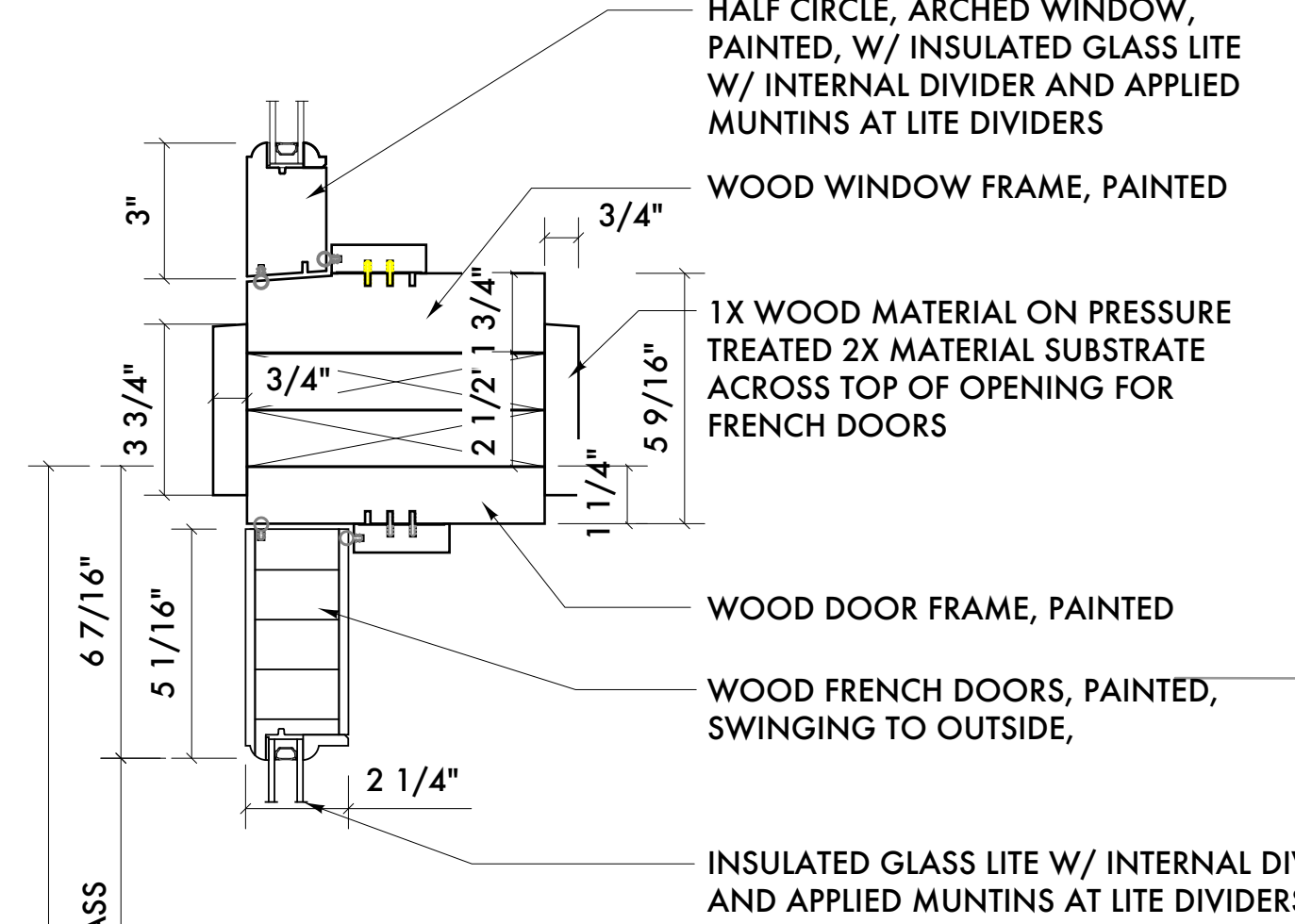
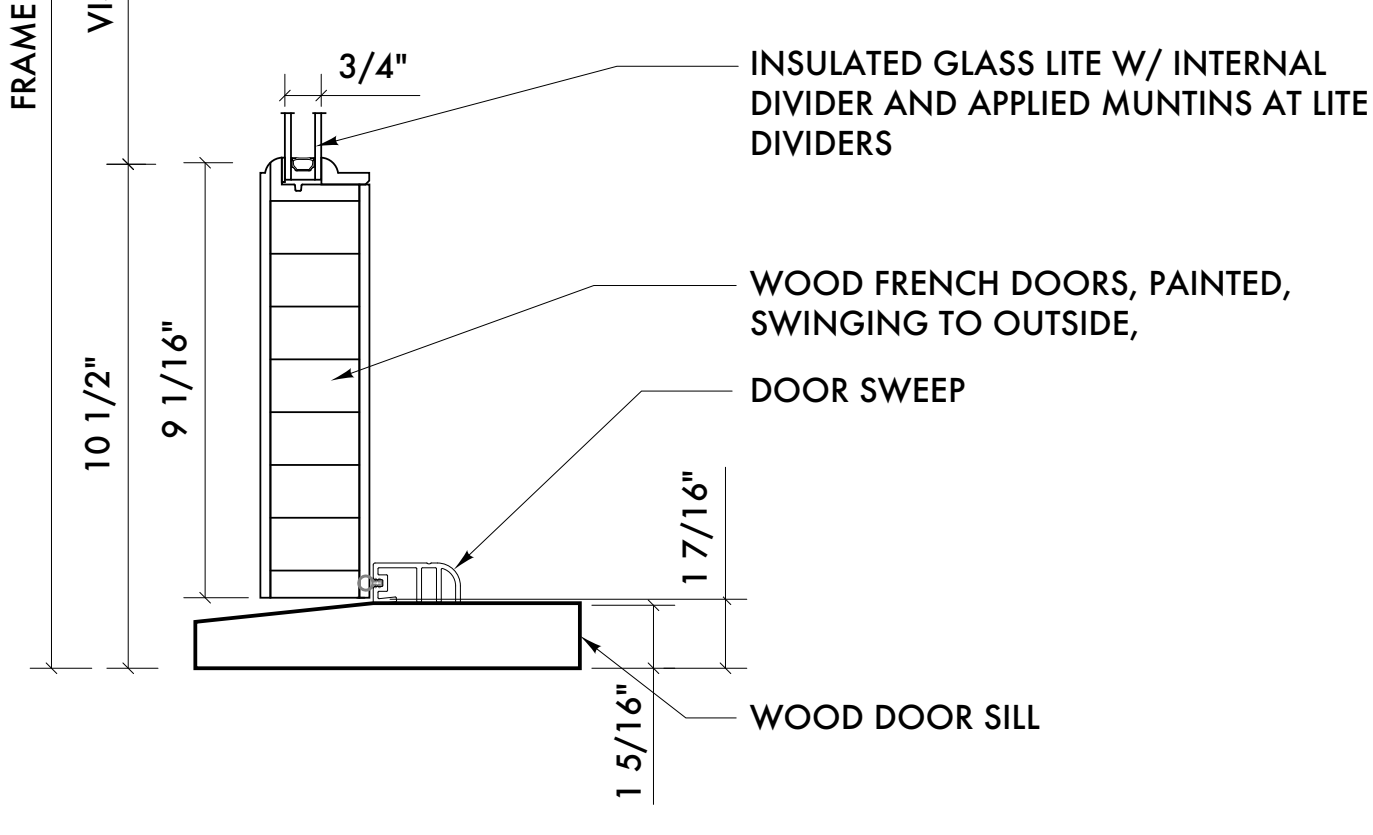


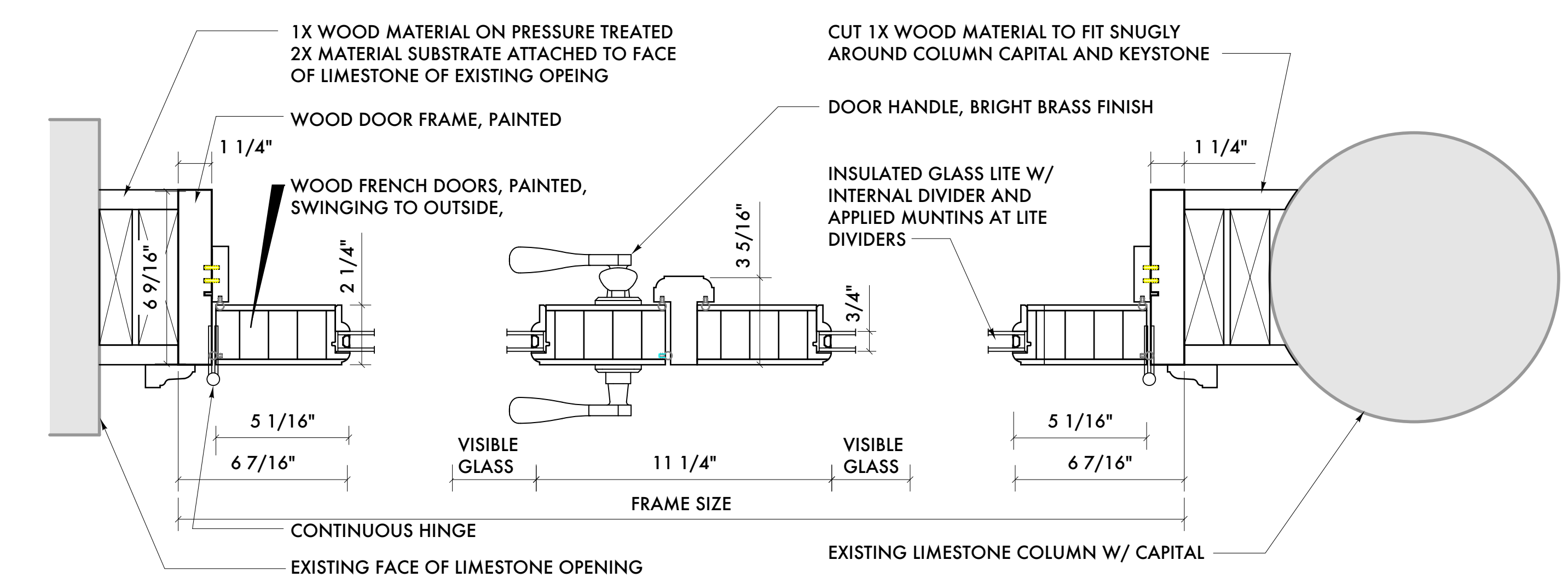
8 **DETAIL AT DOOR JAMB**
SCALE: 3" = 1'-0"



7 **DETAIL AT DOOR JAMB**
SCALE: 3" = 1'-0"



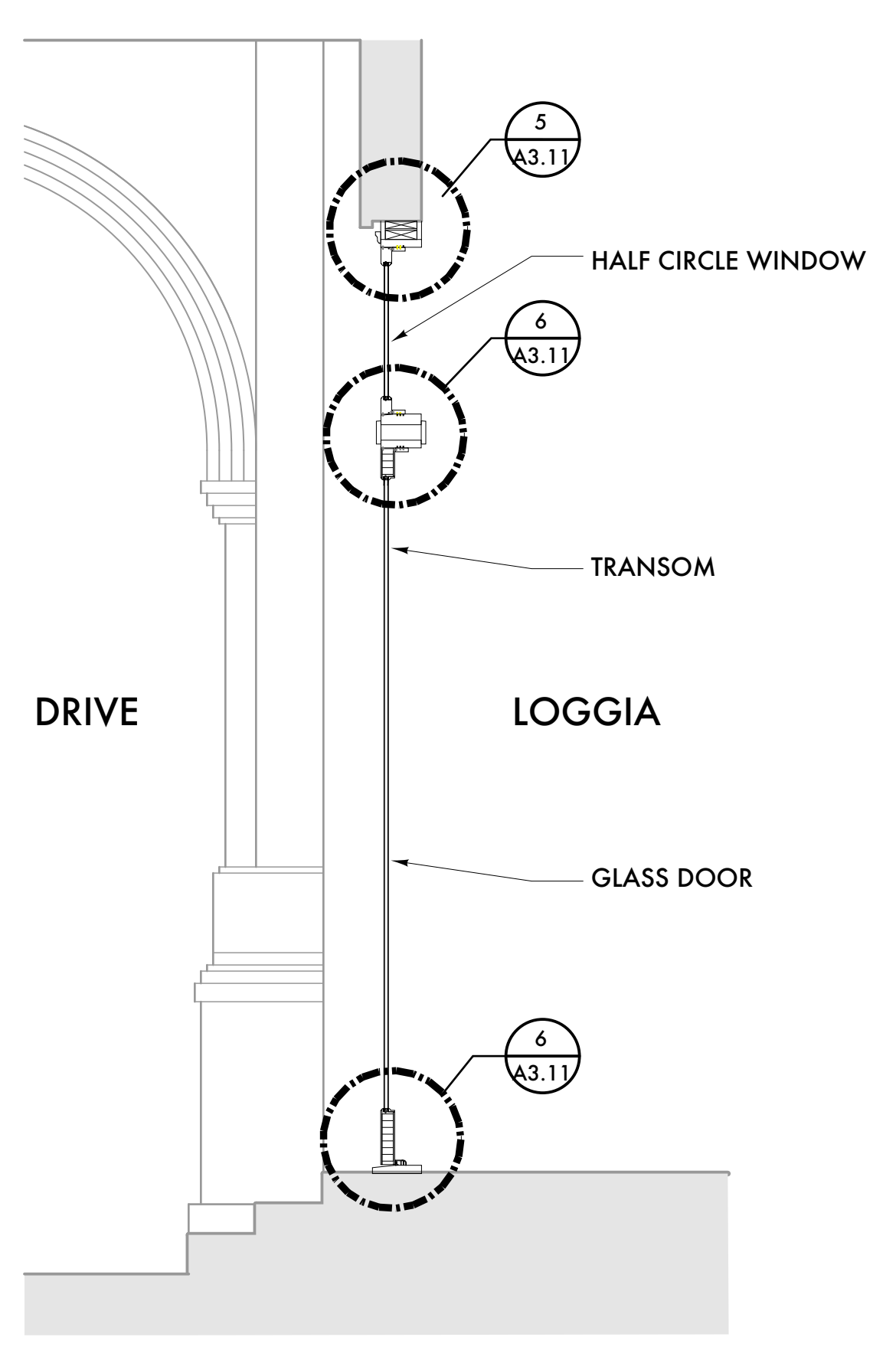
6 **DETAIL AT DOOR JAMB**
SCALE: 3" = 1'-0"



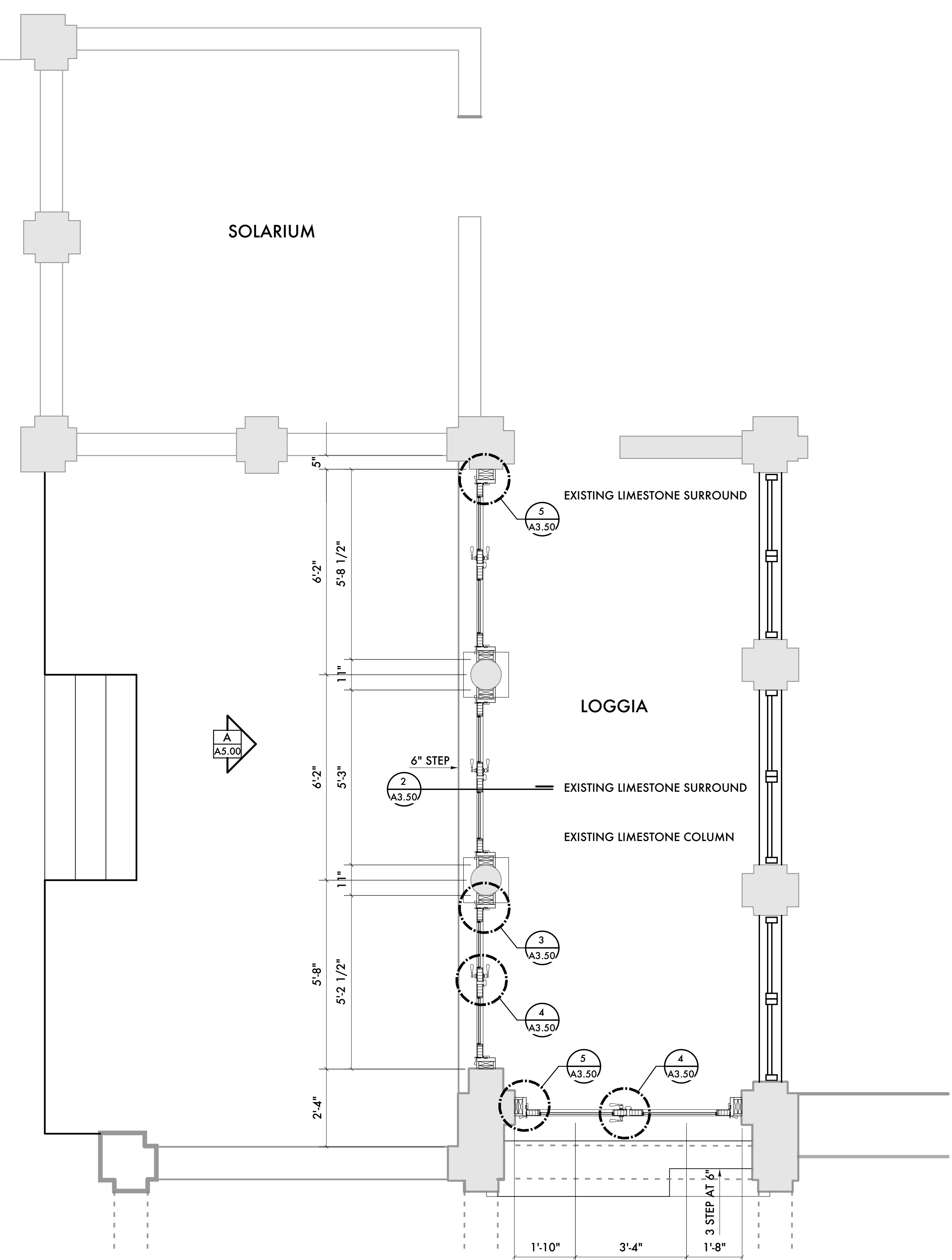
5 **DETAIL AT DOOR JAMB**
SCALE: 3" = 1'-0"

4 **DETAIL AT DOOR JAMB**
SCALE: 3" = 1'-0"

3 **DETAIL AT DOOR JAMB**
SCALE: 3" = 1'-0"



2 **SECTION AT DOOR**
SCALE: 1/2" = 1'-0"



1 **ENLARGED FLOOR PLAN**
SCALE: 1/2" = 1'-0"



12/XX/22 Owner Review
Date: Issued For:
J.B. Book Mansion
8469 East Jefferson Avenue;
Detroit,
Michigan 48214
studiozONE : DETROIT
architectural
urban
interior DESIGN
330 Madison Avenue 313 549 2790 [p]
4th Floor gbiggar@studioz.com
Detroit, Michigan 48226 studioz@detroit.com

Project Number: 2022-xxxx
Sheet Title:
ENLARGED FLOOR PLAN
Sheet Number:
A3.50
© 2022 studiozONE, llc