



M600
4 1/2" Frame Depth
Outswing Terrace Door

M600 SERIES OUTSWING TERRACE DOOR

The M600 Series Outswing Terrace door is ideal for a variety of applications including - Institutions, Education, Apartments and Assisted Living.

FEATURES

- ◇ Commercial Framing System
 - 4 1/2' main frame
 - Extruded wall thickness of 0.125" for all outside walls
 - Extruded wall thickness of 0.070" for all inside walls
 - 2 1/8" sill
- ◇ Thermally Enhanced Design
 - Heavy-duty corner keys internally sealed to eliminate sag
- ◇ Glazing
 - Glazing pocket can accommodate up from 1/4" single glaze to 1" insulated glass
- ◇ Hardware
 - Adjustable hinges
 - 2-way adjustable hinge (optional 3-way available)
 - 5-point locking system for added security
 - Stylish handle sets add modern touch

OPTIONS

- ◇ Available Configurations
 - Single Panel or Double Panel
 - Inswing or Outswing
 - Matching transoms and sidelites
 - Standard or custom sizing
- ◇ Construction
 - Positioning fin
- ◇ Muntin Choices
 - Internal or simulated divided lites available
- ◇ Hardware
 - 10" bottom rail
 - Surface mounted closure
- ◇ Glazing
 - Multiple Low-E and argon glazing choices
 - Up to 1 3/8" thickness of I.G. available
 - Impact Glazing
 - Sound attenuation glazing packages for STC/OITC
- ◇ Panning & Trim Choices
 - Structural mullions
 - Wide variety of panning, receptor and trim available

BENEFITS

- ◇ The capacity to match exterior colors for unique project facades

PERFORMANCE

- ◇ Structural & Thermal (test reports or thermal simulations available upon request)

Model	ModernVu Outswing Terrace Door	
	Single Panel	Dual Panel
Door test size	48" x 96"	
NAFS Rating	AW-PG70-ATD	
Structural Load P.S.F.	105.26	
Air at 50 MPH (cfm/ft ²)	<0.01	
Water (No Penetration) P.S.F.	12.11	
U-Value (ranges based on multiple Low-E/Argon combinations)	0.37-0.41	
SHGC (ranges based on multiple Low-E/Argon combinations)	0.13-0.43	

Our products are tested to the standards of and certified by some of the foremost organizations in the fenestration industry.



ARCHITECTURAL PAINT COATINGS AND FINISHES

◇ Baked on powder coat finish meets AAMA 2604 (an FGIA specification) and is available in unlimited colors

- Quaker Impressive Palette of Colors



- 7 Resemble Colors (painted finish resembling anodized)



- Unlimited Custom Colors

◇ AAMA 2605 (an FGIA specification) powder coat finishes (not available for all colors shown)

◇ SolarLE Paint Finish (available with Textured Black and Dark Espresso colors only)

◇ AAMA 611-98 Class I (an FGIA specification) clear and tinted anodized finishes

* Printed colors shown here may not accurately depict actual painted colors. Color samples are available upon request.

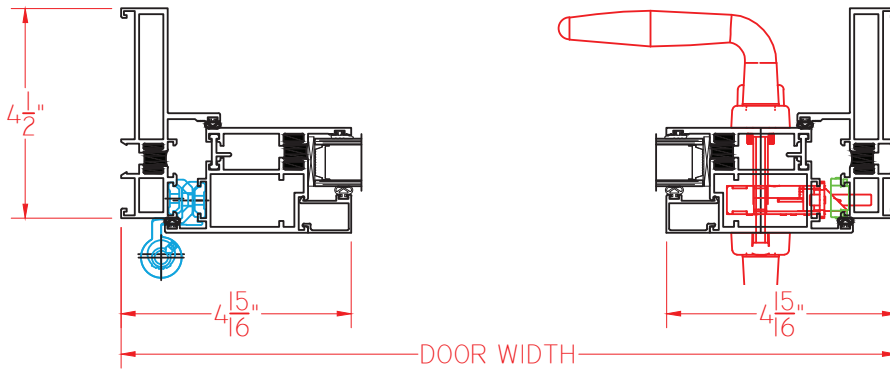
Our products are tested to the standards of and certified by some of the foremost organizations in the fenestration industry.





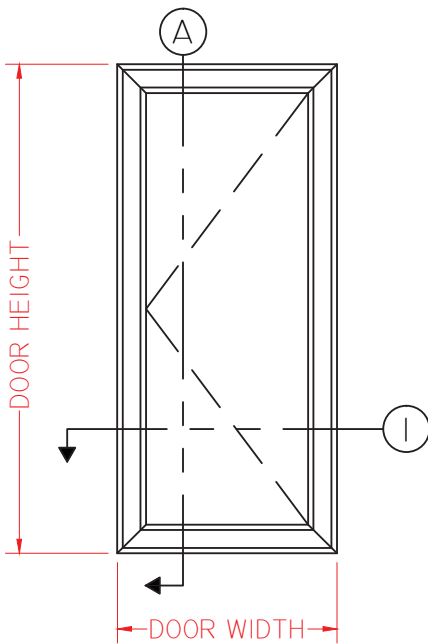
M600 SERIES ENHANCED HINGED TERRACE DOOR - OUTSWING

This document contains confidential and proprietary information intended for the private use of Quaker.
© 2018 Quaker Window Products Co., INC. All rights reserved.
Quaker reserves the right to change any/all designs without notice. Due to periodic re-certification requirements, result shown may vary.

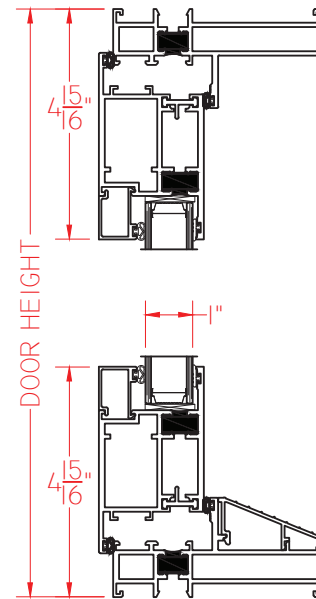


① HORIZONTAL CROSS SECTION

Ⓐ VERTICAL CROSS SECTION



ELEVATION SCALE 3/8" = 1'-0"



SCALE 1:4

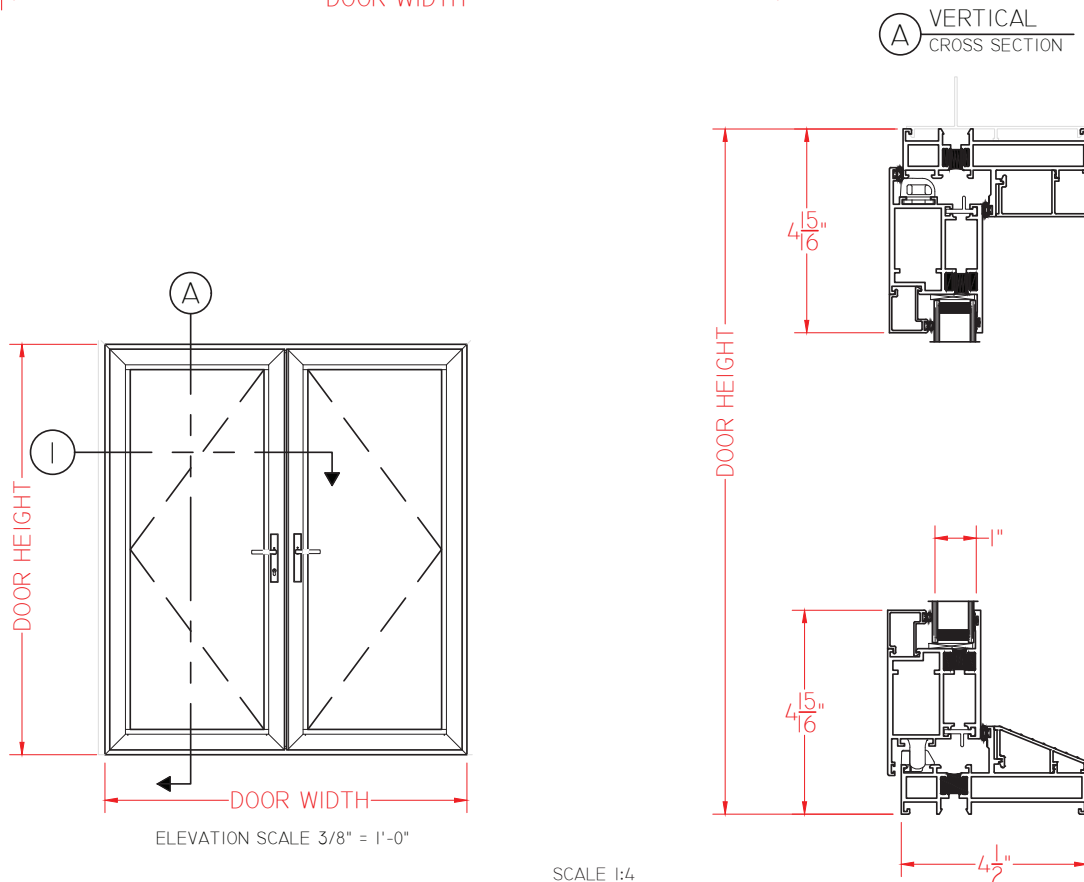
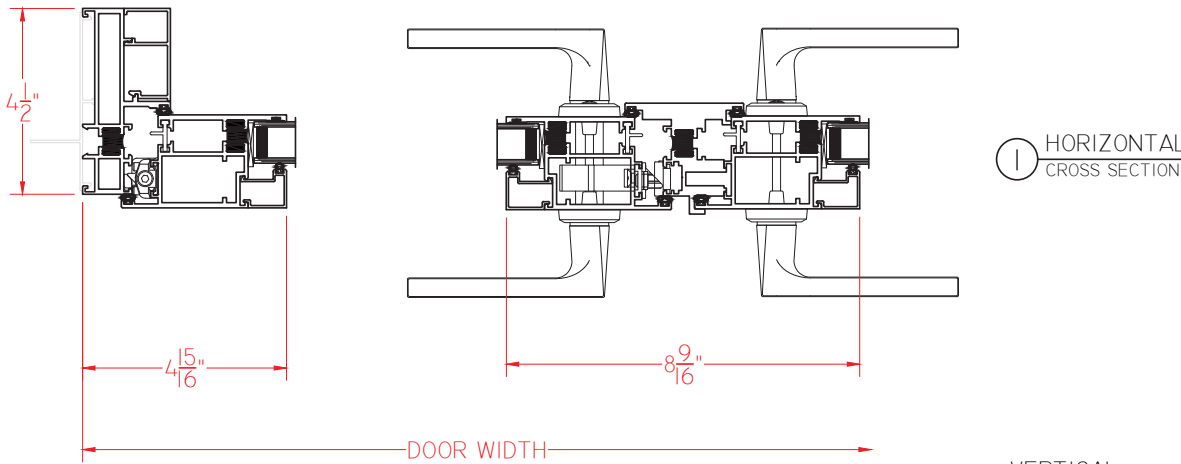
Our products are tested to the standards of and certified by some of the foremost organizations in the fenestration industry.





M600 SERIES HINGED FRENCH TERRACE DOOR - OUTSWING

This document contains confidential and proprietary information intended for the private use of Quaker.
© 2018 Quaker Window Products Co., INC. All rights reserved.
Quaker reserves the right to change any/all designs without notice. Due to periodic re-certification requirements, result shown may vary.



Our products are tested to the standards of and certified by some of the foremost organizations in the fenestration industry.

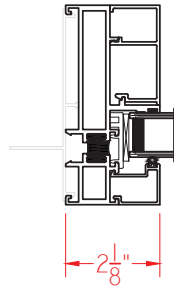




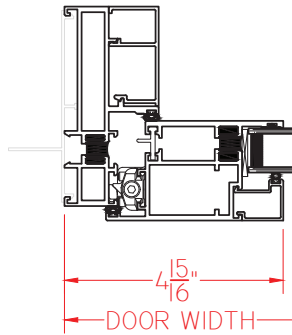
M600 SERIES HINGED FRENCH TERRACE DOOR - OUTSWING W/TRANSOM

This document contains confidential and proprietary information intended for the private use of Quaker.
© 2018 Quaker Window Products Co., INC. All rights reserved.
Quaker reserves the right to change any/all designs without notice. Due to periodic re-certification requirements, result shown may vary.

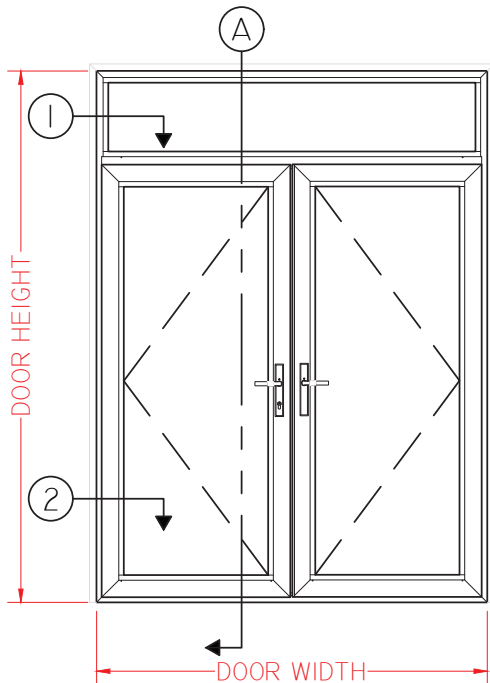
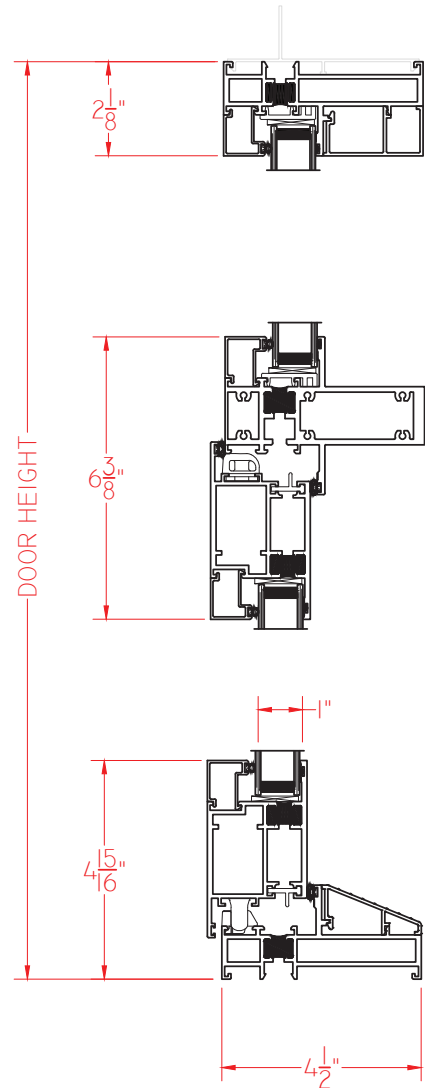
① HORIZONTAL CROSS SECTION



② HORIZONTAL CROSS SECTION



Ⓐ VERTICAL CROSS SECTION



SCALE 1:4

Our products are tested to the standards of and certified by some of the foremost organizations in the fenestration industry.

