

SPECIFICATIONS

Certifications/Qualifications

Class 2	Yes
Dark Sky Compliant	Yes
Title 24 Compliant	Yes
	www.kichler.com/warranty

Dimensions

Base Backplate	5.00 X 5.00
Extension	6.50"
Weight	1.95 LBS
Height from center of Wall opening (Spec Sheet)	3.25"
Height	7.00"
Width	5.00"

Electrical

Input Voltage	Dual (120/140)V
---------------	-----------------

Light Source

Delivered Lumens	350
Expected Life Span (Hours)	40000
Lamp Included	Integrated
Light Source	LED
Max or Nominal Watt	11.00
# of Bulbs/LED Modules	1

Mounting/Installation

Interior/Exterior	Exterior
Location Rating	Wet
Mounting Style	Wall Mount

Photometrics

Color Rendering Index	90
Color Temperature Range	3000
Kelvin Temperature	3000K

FIXTURE ATTRIBUTES



Housing

Primary Material	Aluminum
------------------	----------

Product/Ordering Information

SKU	11250AZT30
Finish	Textured Architectural Bronze
Style	Contemporary
UPC	783927453059

Finish Options

-  Textured Architectural Bronze
-  Textured Black



SPECIFICATIONS

Certifications/Qualifications

Class 2	Yes
Title 24 Compliant	Yes
	www.kichler.com/warranty

Dimensions

Base Backplate	5.00 X 5.00
Extension	6.50"
Weight	3.08 LBS
Height from center of Wall opening (Spec Sheet)	6.25"
Height	12.00"
Width	5.00"

Electrical

Input Voltage	Dual (120/140)V
---------------	-----------------

Light Source

Delivered Lumens	550
Expected Life Span (Hours)	40000
Lamp Included	Integrated
Light Source	LED
Max or Nominal Watt	15.00
# of Bulbs/LED Modules	1

Mounting/Installation

Interior/Exterior	Exterior
Location Rating	Wet
Mounting Style	Wall Mount

Photometrics

Color Rendering Index	90
Color Temperature Range	3000
Kelvin Temperature	3000K

FIXTURE ATTRIBUTES


Housing


Primary Material	ALUMINUM
------------------	----------

Product/Ordering Information

SKU	11251AZT30
Finish	Textured Architectural Bronze
Style	Contemporary
UPC	783927453097

Finish Options

 Textured Architectural Bronze

 Textured Black



The Venice

Wall Mount



The go-to for American-made, handcrafted lights.
A family-owned business, comfortable making things the old fashioned way.

Dome



(00) White (01) Black

Mounts



(ST06) 6" Straight Arm (ST11) 11" Straight Arm
(GB06) 11" Gooseneck (GB04) 16" Gooseneck
(GB01) 23" Gooseneck (GB05) Upward Sloping

Colors



(1M) Matte Black (03) Green
(04) Dark Bronze (06) Red
(08) Galvanized (RAL) Custom

Galvanized option not available on straight arm mounts
Custom colors are available for an additional fee. Please provide a RAL number

Parts Included

DOME: (A9) Angled Reflector 9" Dome

MOUNT: Choose between 6" straight arm, 11" straight arm, 11" gooseneck, 16" gooseneck, or 23" gooseneck, or upward sloping gooseneck

SOCKET: 120V Medium Base Porcelain Socket and 6ft of Wiring. Comes with a threaded Covernut and Gasket for a secure and water proof seal

MOUNTING HARDWARE: (BP12) Heavy Duty 4" Die Cast Base Plate with Gasket and Screws (fits with a 4" Round Electrical Box)

CUSTOMIZABLE: From the shape and the size to the interior color, you can decide what fits best into your vision and we can make it happen.

ALL-WEATHER: Built to last and withstand any storm the outside - or inside - world throws its way.

STEEL CONSTRUCTION: Expertly spun using 18 gauge steel and strong enough to make a lasting statement.

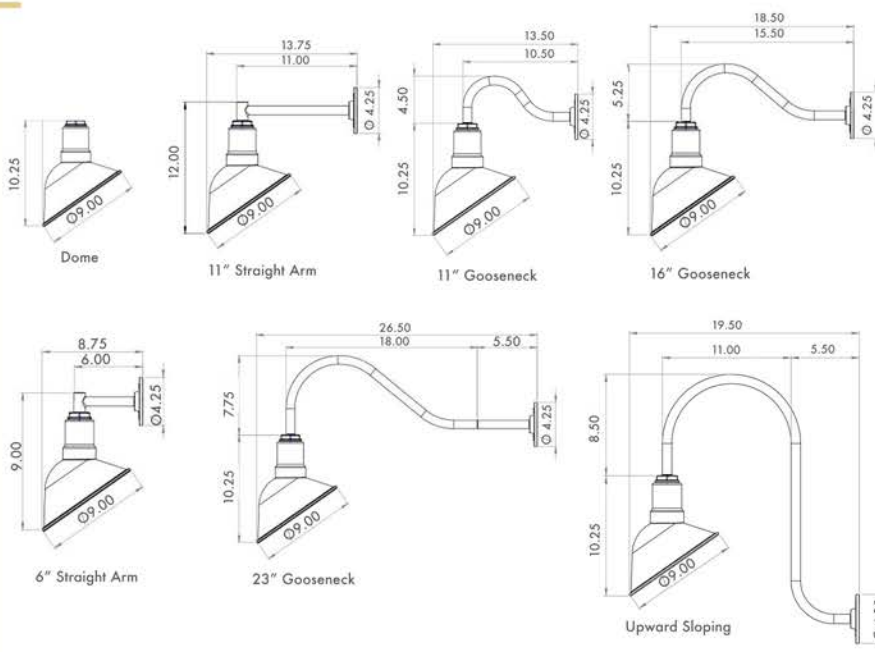
FAST & FREE SHIPPING: We move quickly so your timelines can too - free shipping within 24 hours in the continental US!

APPLICATION: Illuminate artwork and signage, use in grocery stores, breweries or exterior lights on houses.



Features

Dimensional Data



Optional Accessories

Electrical Box (RB05): 4" round die cast electrical box which is powder coated to match your fixture.

LED Bulb (LFLA): 800 Lumen Filament LED Medium base screw-in bulb.

6" Mounting Plate (LP12): A larger mounting plate if the standard 4" mounting plate is too small

Choose each item specification to breakdown the SKU numbers for your order below

Ordering Information

A09	Color	Mount	Color	Mounting Hardware	Color	Electrical Box (optional)	Color	LED Bulb (optional)
	00 04	GB01	00 04	BP12 - Standard 4" Mounting Plate	00 04	RB05 - 4" round die cast electrical box	00 04	LFLA - LED Bulb
	01 06	GB04	01 06	LP12 - Larger 6" Mounting Plate	01 06		01 06	
	1M 08	GB05	1M 08		1M 08		1M 08	
	03	GB06	03		03		03	
		ST06						
		ST11						