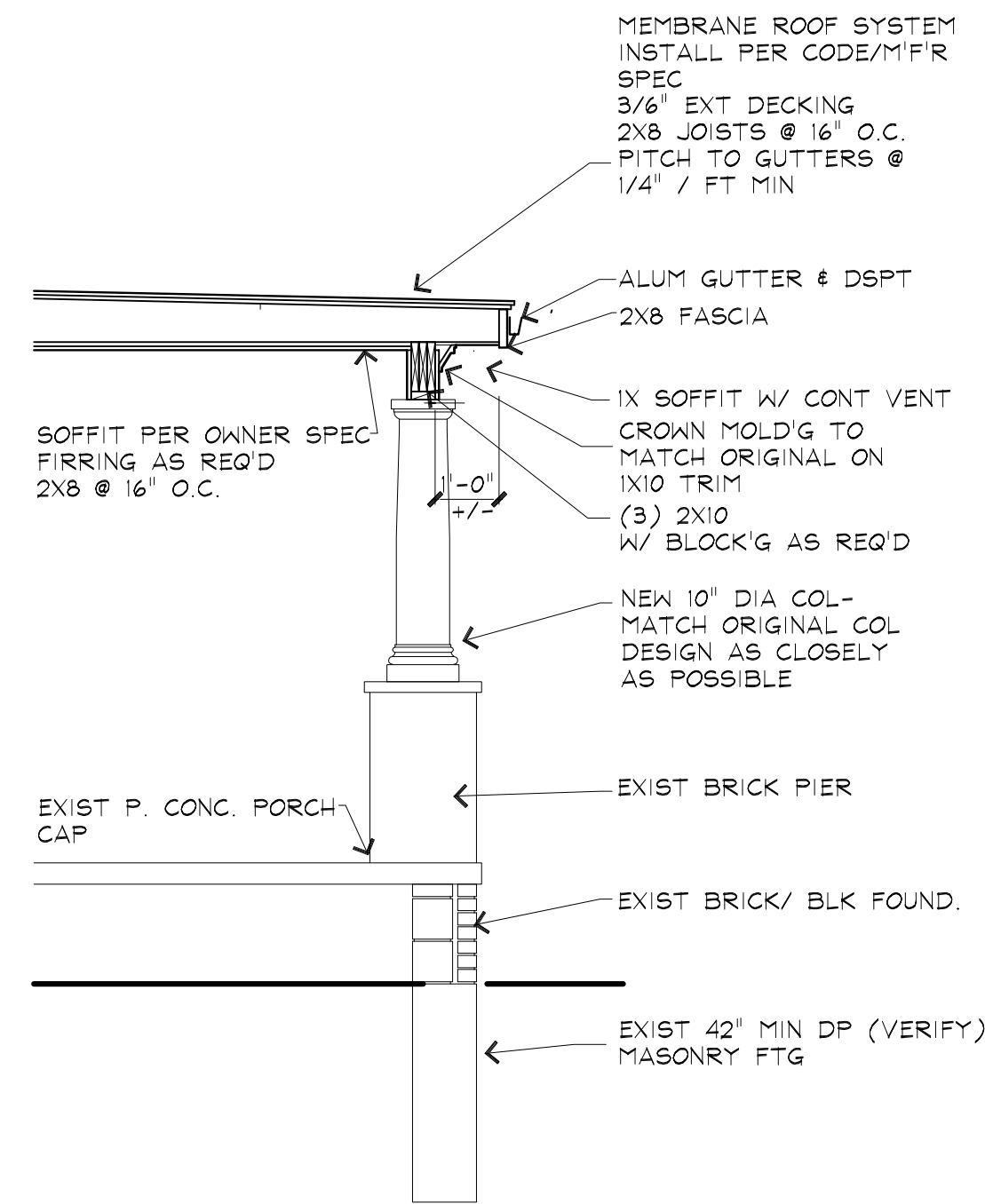
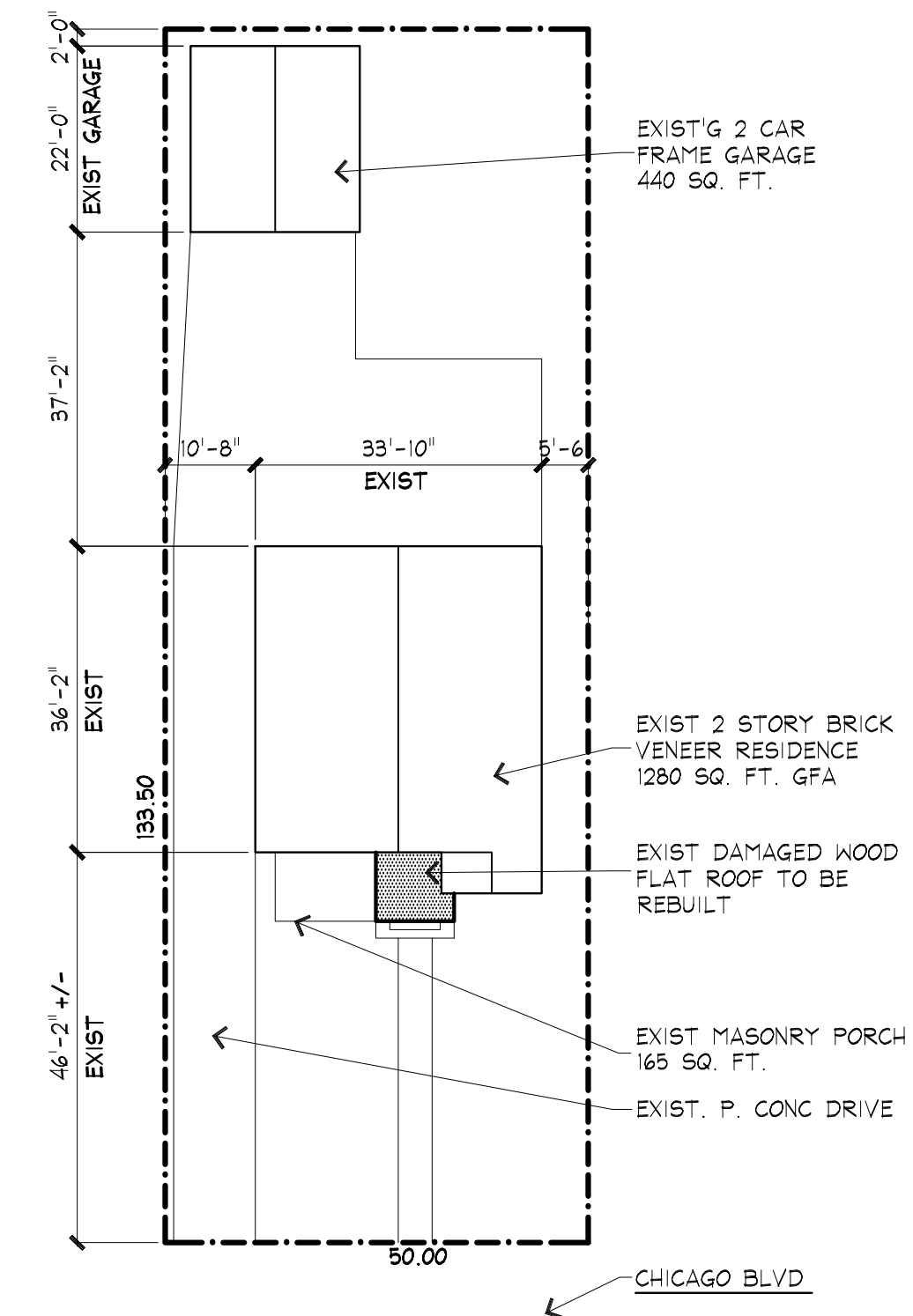


FLOOR PLAN SCALE: 1/4" = 1'-0"



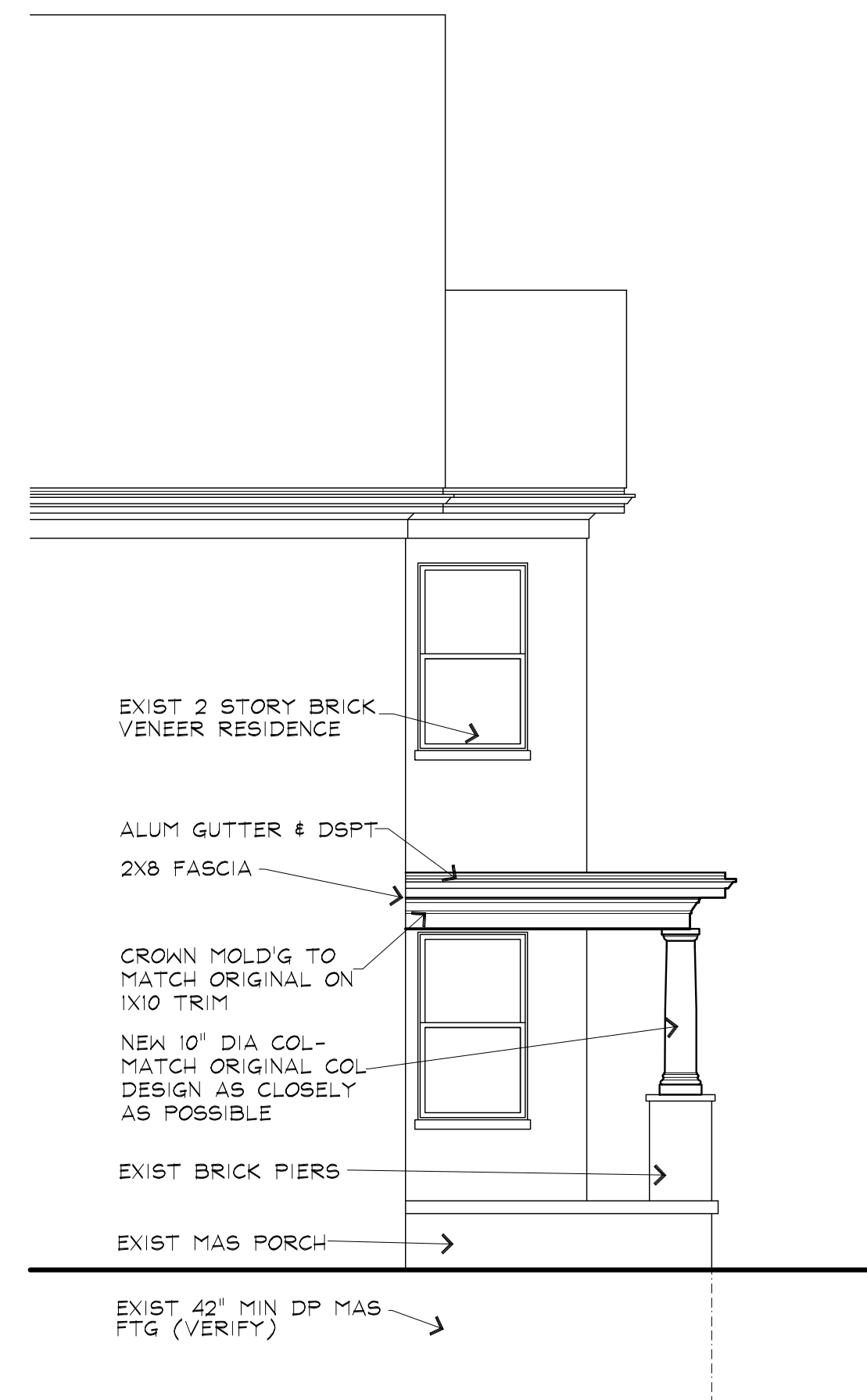
SECTION SCALE: 3/8" = 1'-0"



PLOT PLAN SCALE: 1" = 20'-0"



NORTH ELEVATION SCALE: 1/4" = 1'-0"



EAST ELEVATION SCALE: 1/4" = 1'-0"

GENERAL NOTES

ALL IMPROVEMENTS PER CITY CODE

ASSUMED SOIL BEARING CAPACITY IS 2500 PSF. THE TYPE OF SOIL SUPPORTING FOUNDATIONS SHALL BE IN ACCORDANCE WITH TABLE R404.1.1 (1) (2) (3) (4) AS APPLICABLE FOR CONCRETE & MASONRY FOUNDATIONS

MINIMUM COMPRESSIVE STRENGTH OF CONCRETE SHALL BE 3000 PSI AT 28 DAYS. PROVIDE CONCRETE COMPRESSIVE STRENGTH & AIR ENTRAINING FOR VARIOUS LOCATIONS & WEATHERING POTENTIAL AS PER TABLE 402.2

CONCRETE WORK & SPECIFICATIONS SHALL CONFORM TO THE LATEST SPECIFICATIONS OF C.R.S.I. & A.S.I.

ALL REINFORCING BARS, DONELS, & TIES SHALL CONFORM TO A.S.T.M. A615 GRADE 60

ALL STEEL TO CONFORM TO THE LATEST A.S.T.M. SERIAL DESIGNATION A36 & TO A.I.S.C. SUPPLEMENTARY PROVISIONS GOVERNING THE USE OF A36 STEEL

MASONRY BLOCK SHALL BE OF TYPE NI - MORTAR SHALL BE OF TYPE S

PROVIDE A MINIMUM OF (2) COURSES OF SOLID MASONRY AT ALL BEARING CONDITIONS. PROVIDE SOLID MASONRY OR GROUT FILLED UNITS AT ALL BELOW GRADE CONDITIONS

STEEL LINTELS SUPPORTING BRICK OR STONE VENEER OVER DOOR & WINDOW OPENINGS SHALL COMPLY WITH TABLE 703.7.3

ALL FRAMING LUMBER TO BE HEM FIR #2 OR BETTER

PROVIDE DOUBLE JOISTS ON BOTH SIDES OF LADDERS BELOW ALL BEARING WALLS

PROVIDE (2)2X12 WITH 1/2" PLYWOOD BETWEEN OVER ALL OPENINGS, U.N.O.

INSTALL DRAFTSTOPPING & FIREBLOCKING IN COMPLIANCE WITH SECTIONS R502.12 & R602.8

HOLES OR NOTCHES BORED OR CUT IN TO FRAMING MEMBERS SHALL BE IN COMPLIANCE WITH SECTIONS R502.8, R602.2, & R602.7

LAMINATED VENEER BEAMS (LVL) SHALL HAVE A MINIMUM Fb OF 2800 PSI

PROVIDE A MINIMUM OF (4) 2X4 BELOW ALL LVL & GIRDER TRUSS ENDS, UNLESS OTHERWISE SPECIFIED BY ENGINEERED TRUSS MANUFACTURER SPECIFICATIONS

ROOF ASSEMBLIES WHICH ARE SUBJECT TO WIND UPLIFT PRESSURES OF 20 PSF OR GREATER SHALL HAVE ROOF RAFTERS OF TRUSSES ATTACHED TO THEIR SUPPORTING WALL ASSEMBLIES BY CONNECTIONS CAPABLE OF PRODUCING THE RESISTANCE REQUIRED IN TABLE R602.1. PROVIDE MECHANICAL FASTENERS FROM ROOF TRUSSES TO SUPPORTING WALLS IN COMPLIANCE WITH SECTION R602.10.5

TRUSS MANUFACTURER TO PROVIDE ADDITIONAL STRUCTURAL DATA AS REQUIRED TO MAINTAIN THE INTEGRITY OF THE TRUSS LAYOUT, INCLUDING ANY ADDITIONAL LVL SIZES & LOCATIONS NECESSARY TO CARRY ROOF & FLOOR LOADS

FLOOR TRUSSES TO BE INSTALLED PER MANUFACTURER'S SPECIFICATION, INCLUDING ANY ADDITIONAL BLOCKING, BRIDGING OR RH JOISTS

FLASHING SHALL BE INSTALLED AT THE BOTTOM & SIDES OF ALL WINDOWS NOT CONSIDERED SELF FLASHING, & AT THE TOP OF ALL EXTERIOR DOORS

CONTRACTOR TO PROVIDE FOR DENATERING FORMING, & SHORING AS NECESSARY, & LOCATE SLEEVES, OPENINGS, & EMBEDDED ITEMS REQUIRED BY OTHER TRADES PRIOR TO POURING CONCRETE

ALL MATERIALS, SUPPLIES, & EQUIPMENT TO BE INSTALLED PER MANUFACTURER'S SPECIFICATIONS & CODE

PROVIDE TEMPORARY BRACING & SHORING AS REQUIRED TO INSURE THE STABILITY OF THE NEW STRUCTURE UNTIL THE PERMANENT FRAMING IS IN PLACE

PROJECT	PROPOSED PORCH ROOF REPAIR CLAYTON RESERVE ELEVATIONS DETROIT, MICHIGAN
TITLE	FLOOR PLAN ELEVATIONS SECTION
DRAWN	R.O.
CHECKED	R.O.
ISSUED	8-20-22
CONSTRUCTION	
NOTES	CONTRACTOR TO VERIFY ALL PERMITS AND NECESSARY APPROVALS
JOB NO.	22045
SHEET NO.	A-1 OF 1