

Project :
 MOST HOLY TRINITY
 SCHOOL GYM ADDITION
 1229 LABROSSE,
 DETROIT, MI
 48226

Issued for :
 SIGN PERMIT APP. UPDT. 06/10/22

Drawn by :
 JGB
Checked by :
 JAV, MJB, AJD
Sheet Title :
 EXTERIOR
 ELEVATIONS

Project No. :
 2017.041
Sheet No. :
 1 of 1

DO NOT SCALE DRAWINGS
 ©2017 Stucky Vitale Architects

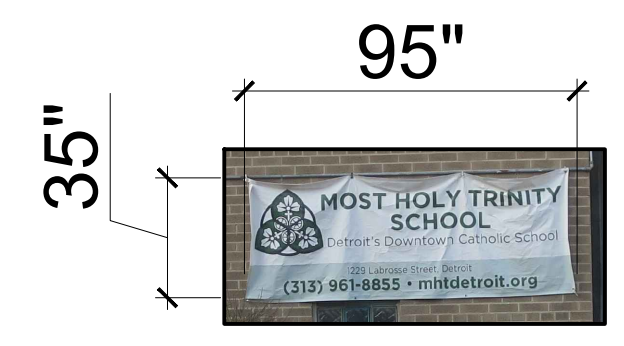
8'-9"

SIGN KEY SQUARE FT
 (TYPICAL THIS SHEET ONLY)

A	2.25 SQUARE FT
B	4.41 SQUARE FT
C	32 SQUARE FT
D	22 SQUARE FT
E	23 SQUARE FT



1 ELEVATION CALLOUT
 1 of 1 SCALE: 1/4" = 1'-0"



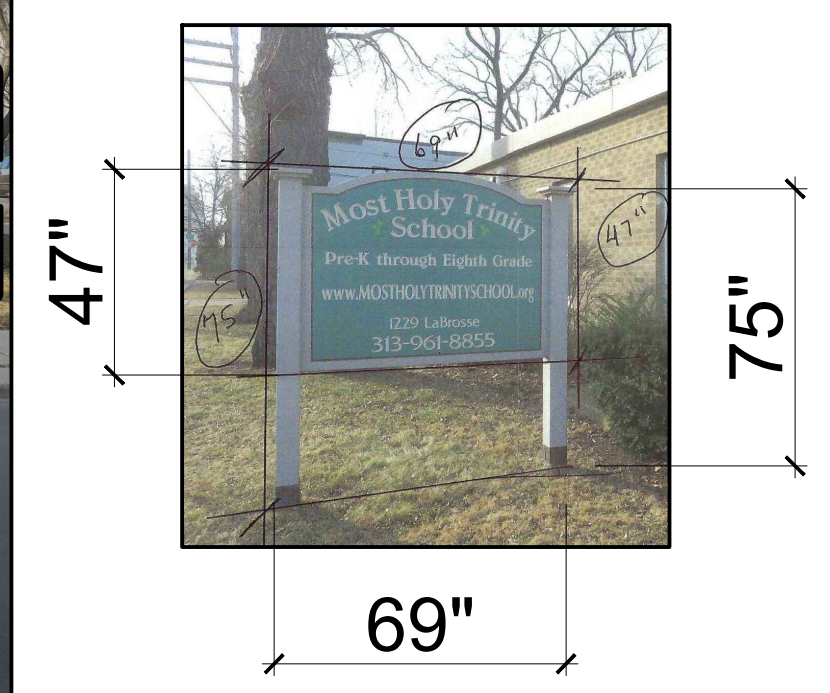
E DETAILED SIGNAGE
 1 of 1 SCALE: NTS



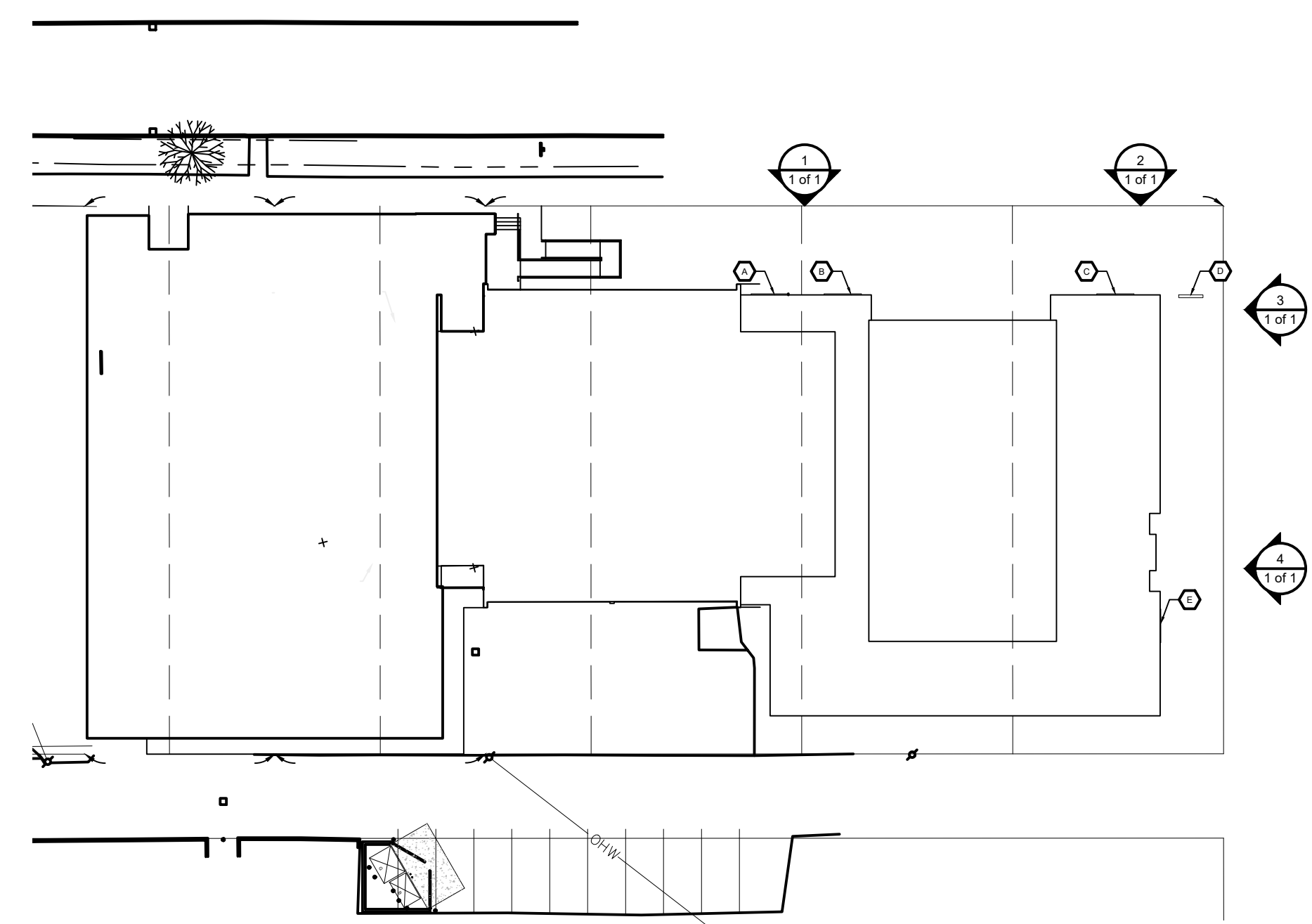
3 ELEVATION CALLOUT
 1 of 1 SCALE: 1/4" = 1'-0"



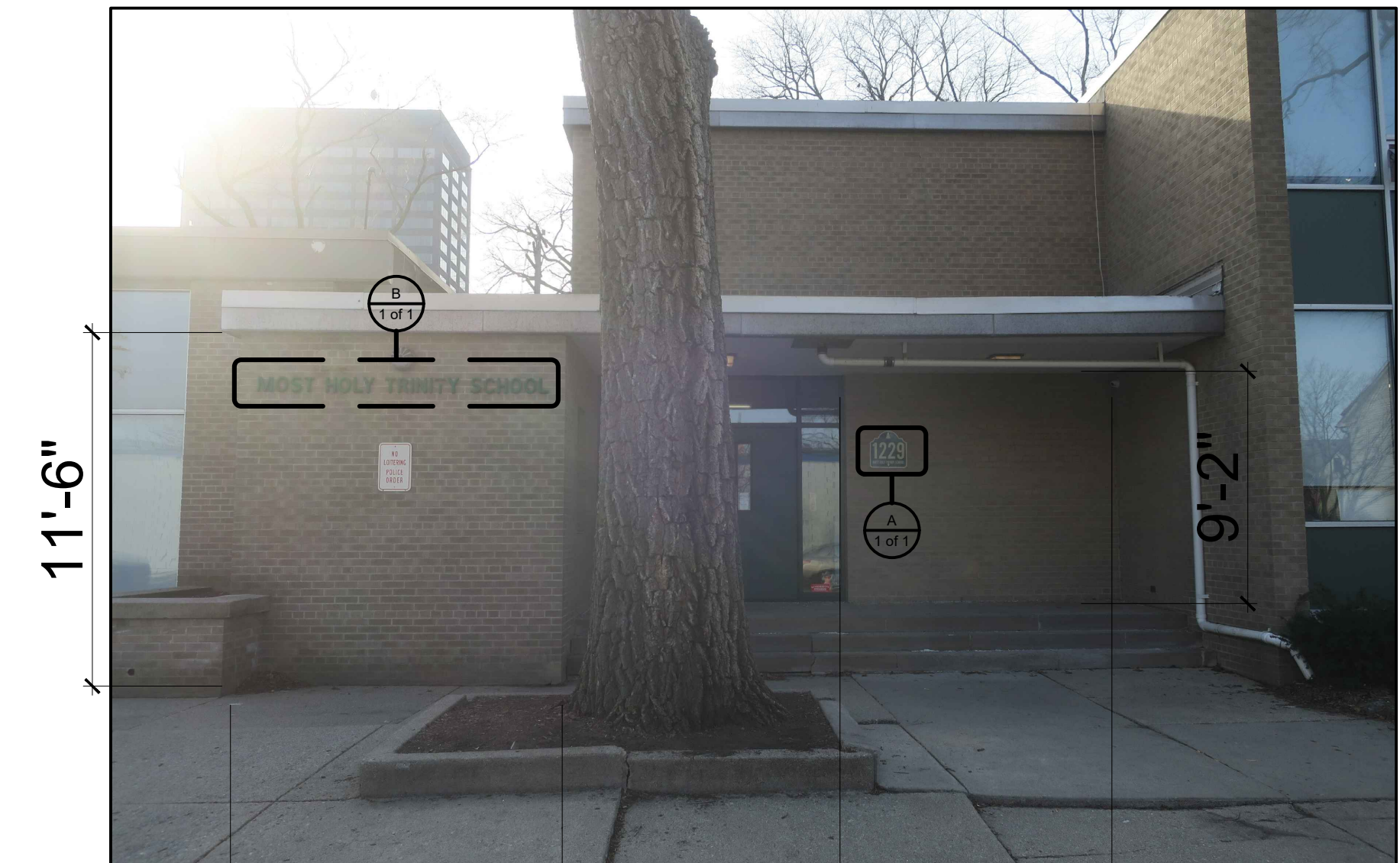
C DETAILED SIGNAGE
 1 of 1 SCALE: NTS



D DETAILED SIGNAGE
 1 of 1 SCALE: NTS



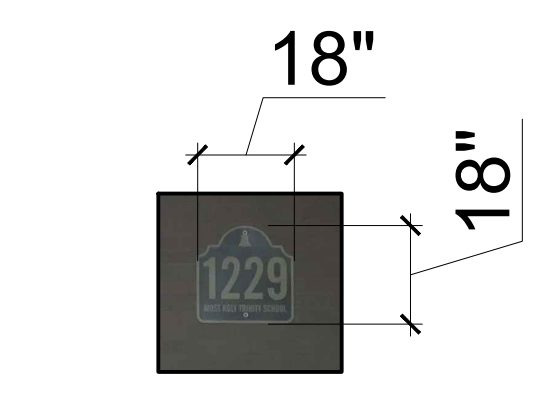
1 ELEVATION
 A1.X SCALE: 1/4" = 1'-0"



4 ELEVATION CALLOUT
 1 of 1 SCALE: 1/4" = 1'-0"



4 ELEVATION
 1 of 1 SCALE: 1/4" = 1'-0"



A DETAILED SIGNAGE
 1 of 1 SCALE: NTS



B DETAILED SIGNAGE
 1 of 1 SCALE: NTS

E
D
C
B
A

6

5

4

3

2

1