

PROPOSED PANELIZED SIDING

# HardiePanel®

HardiePanel® vertical siding delivers style and substance. When combined with HardieTrim® boards, it achieves the rustic board-and-batten look that defines cottage charm. The covered seams contribute to a well-insulated home.

Its crisp, clean lines make HardiePanel vertical siding a smart choice for strong, contemporary designs.



HardiePanel®  
Vertical Siding  
Evening Blue

HardieTrim®  
Batten Boards  
Evening Blue

True to your needs of  
**PERFORMANCE AND BEAUTY.**

# HardiePanel®

Thickness 5/16 in

## SELECT CEDARMILL®, SMOOTH, STUCCO & SIERRA 8

	Size 4 ft x 8 ft	4 ft x 9 ft	4 ft x 10 ft
Prime Pcs/Pallet	50	50	50
ColorPlus Pcs/Pallet	50	–	50
Pcs/Sq	3.2	2.8	2.5

### SELECT CEDARMILL®



	Size 4 ft x 8 ft	4 ft x 9 ft	4 ft x 10 ft
STATEMENT COLLECTION™			✓
DREAM COLLECTION™	✓		✓
PRIME	✓	✓	✓

### SMOOTH



	Size 4 ft x 8 ft	4 ft x 9 ft	4 ft x 10 ft
STATEMENT COLLECTION™			✓
DREAM COLLECTION™	✓		✓
PRIME	✓	✓	✓

### STUCCO



	Size 4 ft x 8 ft	4 ft x 9 ft	4 ft x 10 ft
STATEMENT COLLECTION™			
DREAM COLLECTION™	✓		✓
PRIME	✓	✓	✓

### SIERRA 8



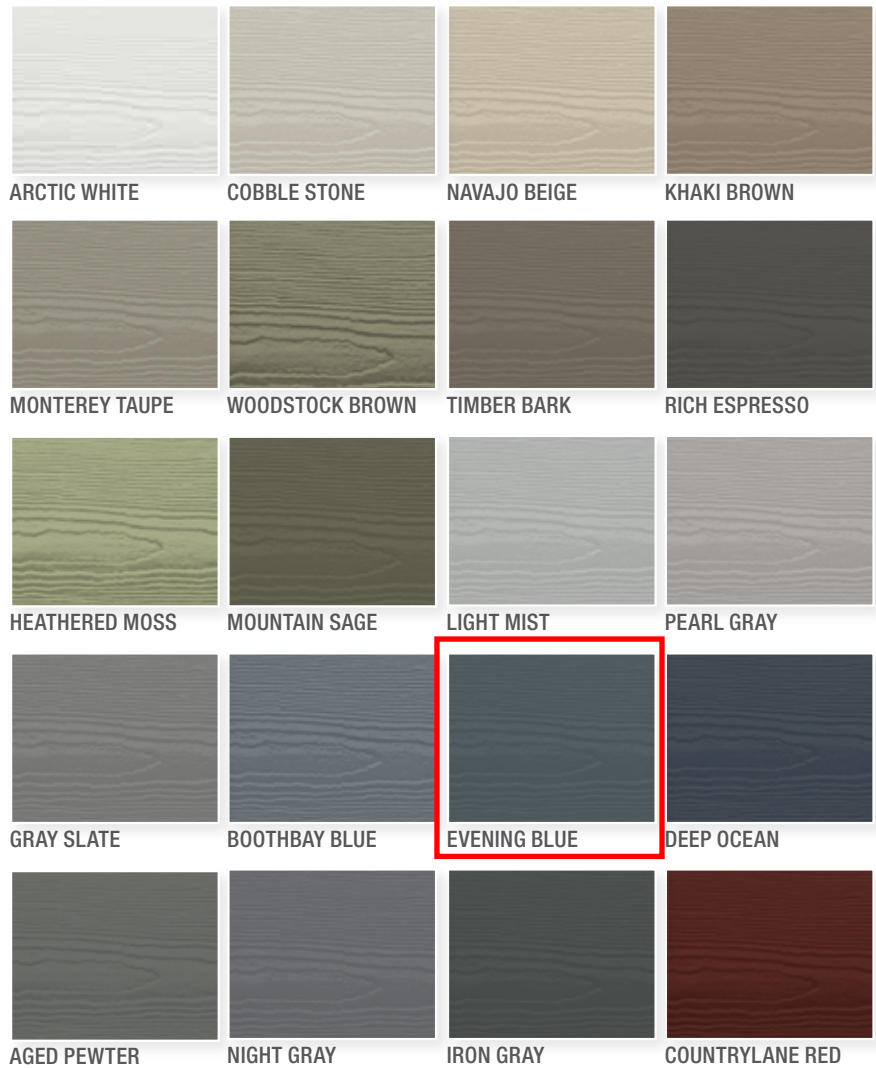
	Size 4 ft x 8 ft	4 ft x 9 ft	4 ft x 10 ft
STATEMENT COLLECTION™			
DREAM COLLECTION™			
PRIME	✓	✓	✓

# STATEMENT COLLECTION™

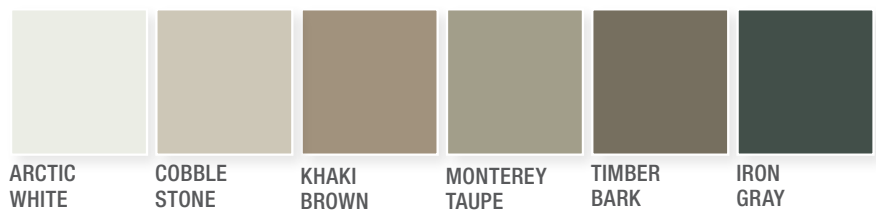
Make your next home stand out with our Statement Collection™ products. Carefully curated by our design experts specifically for your market, the collection brings together the most popular James Hardie ColorPlus® siding and trim styles, textures, and colors. This stunning selection is locally stocked and designed for simplicity - making it easier than ever to get a beautiful, long-lasting home exterior.

## ColorPlus® Technology

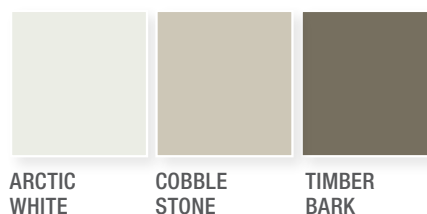
### Plank, Panel, Shingle and Batten Color Offering



### Trim Color Offering



### Soffit Color Offering



Colors shown are as accurate as printing methods will permit. Please see actual product sample for true color.

PROPOSED PANELIZED SIDING  
COLOR AT FLOOR LINE AND  
PARAPET HORIZONTAL  
BANDS.

PROPOSED SPANDREL PANEL  
COLOR.



PROPOSED BRICK.  
SIOUX CITY BRICK -  
BADLANDS SMOOTH



THE BELDEN BRICK SALES CO.

31470 UTICA RD. - FRASER, MI 48028  
(508) 294-5400



Sioux City Brick

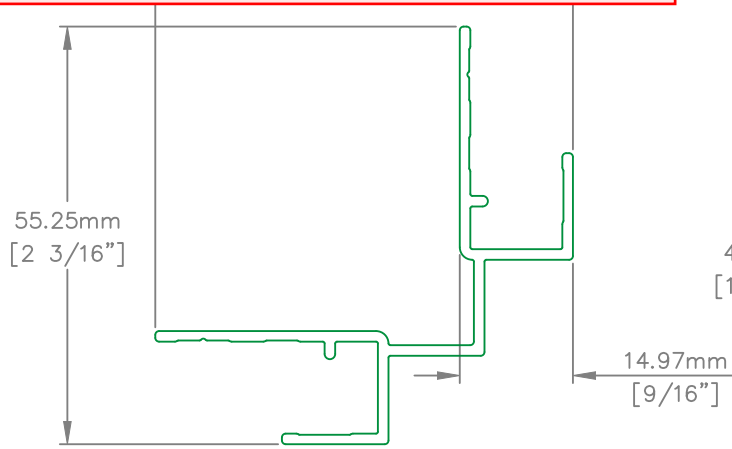
BADLANDS SMOOTH  
Modular



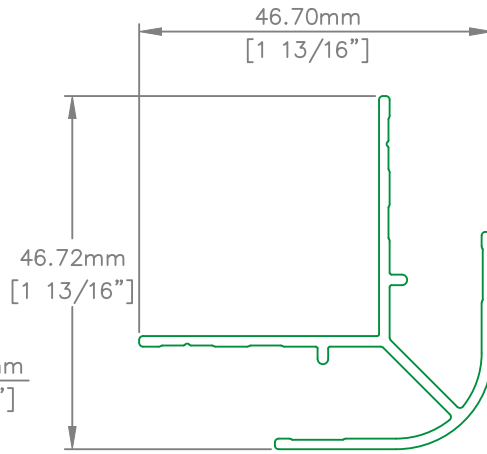
PROPOSED WOOD FINISH ON HORIZONTAL  
FENCING AND UNDERSIDE OF CANOPY  
CEDAR WITH CLEAR SEALER



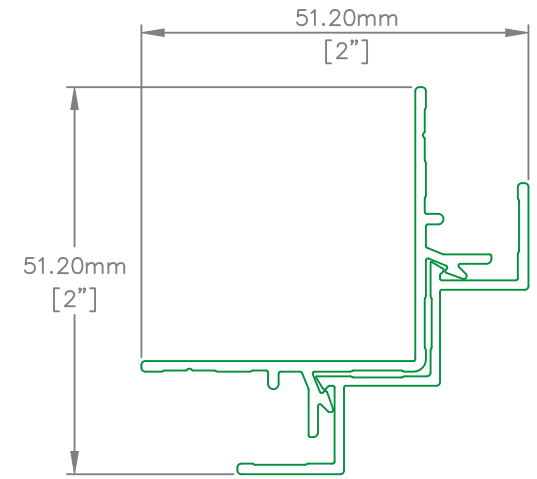
**PANELIZED SIDING TRIM TO BE PAINTED TO MATCH ADJACENT PANELS**



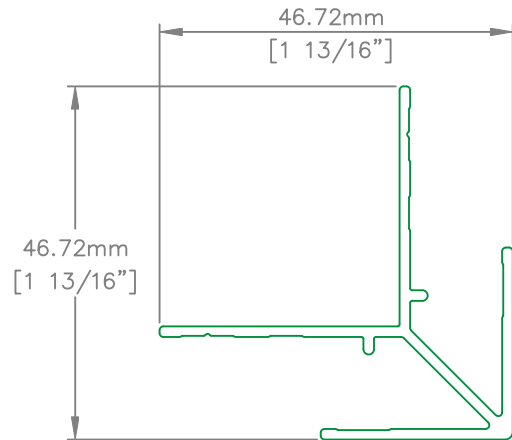
**EZ 01**  
(DRAWING EZ2.1)



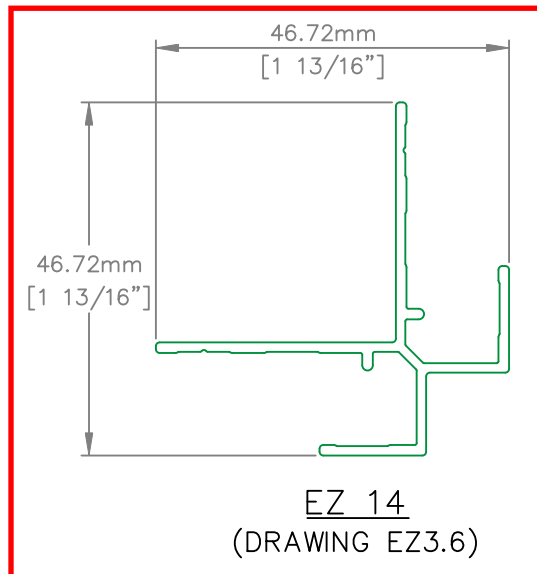
**EZ 02**  
(DRAWING EZ2.2)



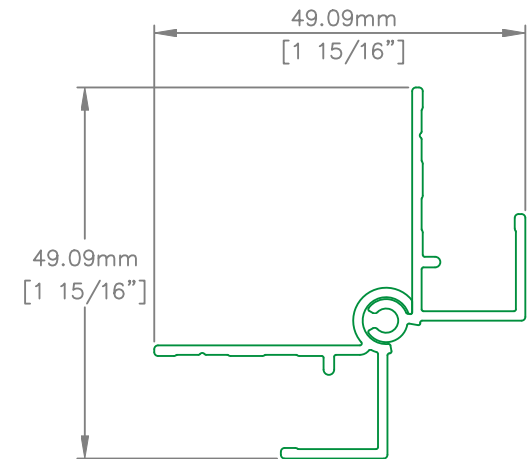
**EZ 12**  
(DRAWING EZ3.4)



**EZ 13**  
(DRAWING EZ3.5)



**EZ 14**  
(DRAWING EZ3.6)



**EZ 15**  
(DRAWING EZ3.7)

WALL THICKNESS APPROX. 1.3mm [.051"] 16 ga

DESCRIPTION

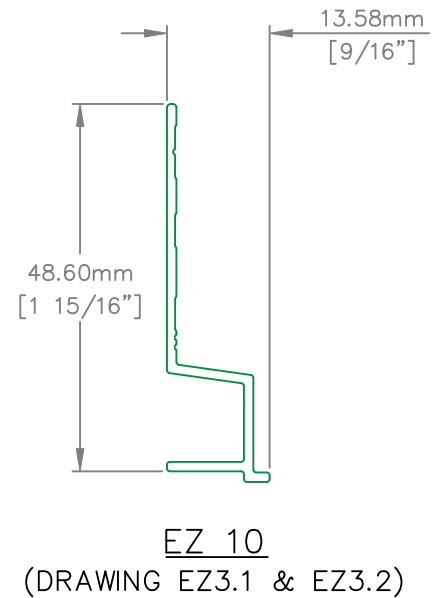
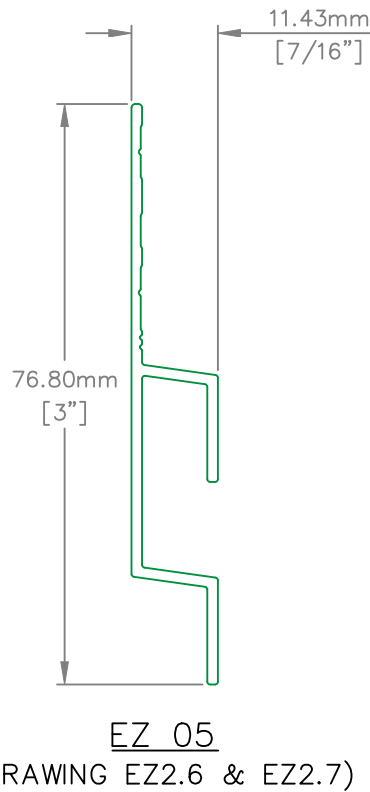
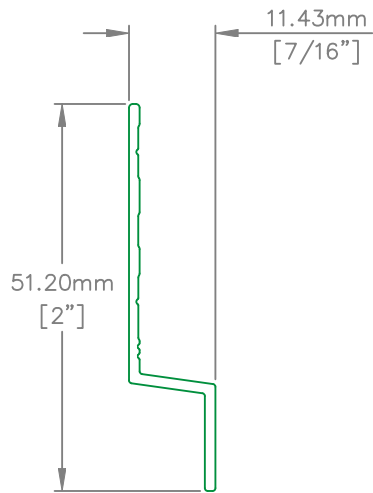
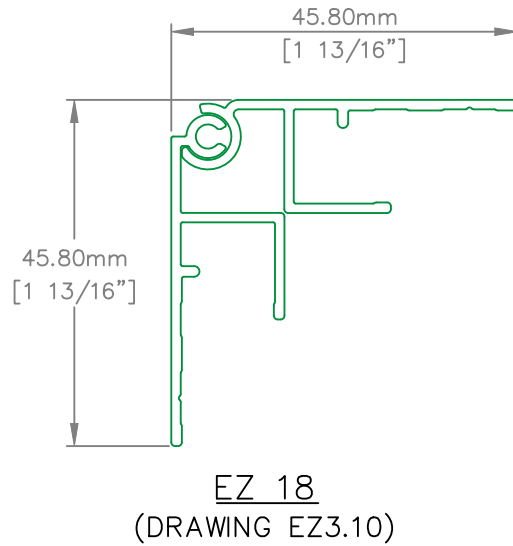
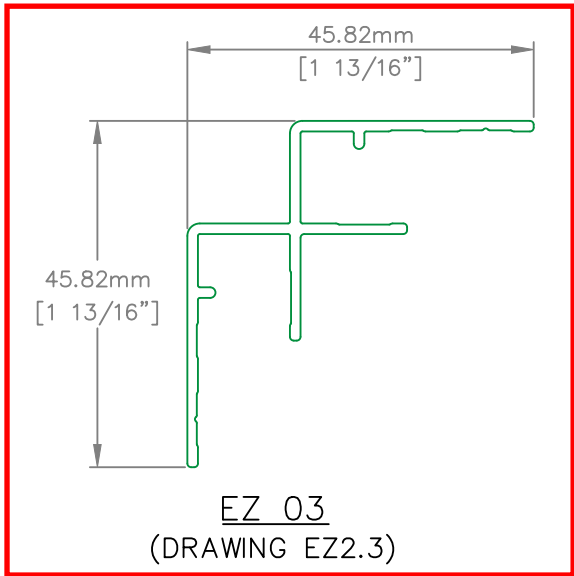
5/16" OUTSIDE CORNER PANEL TRIM




**EasyTrim®**  
Reveals

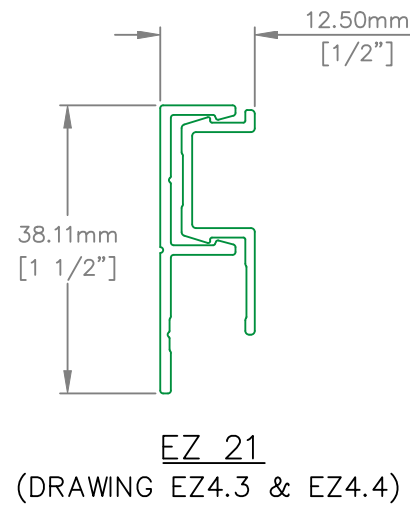
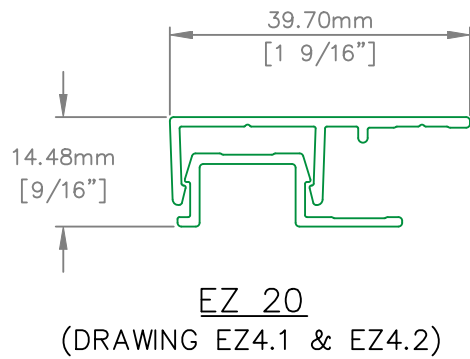
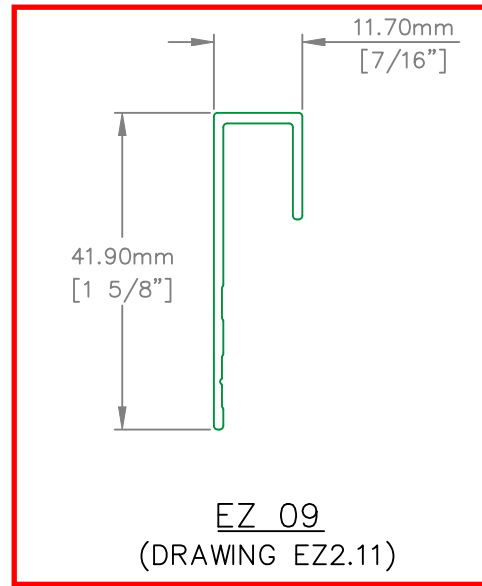
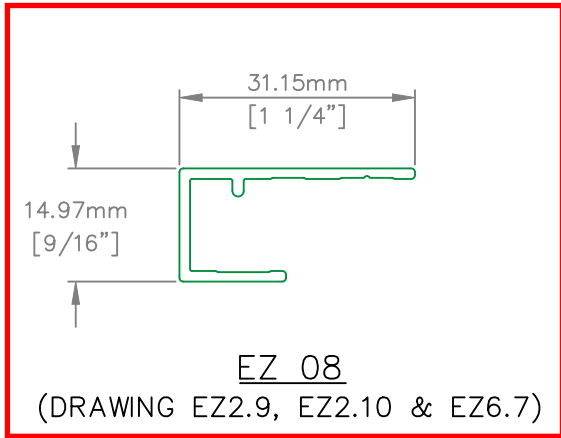
SCALE	NTS	DRAWING NUMBER
DATE	2021DEC	EZ1.1
DRWN BY	HJ	






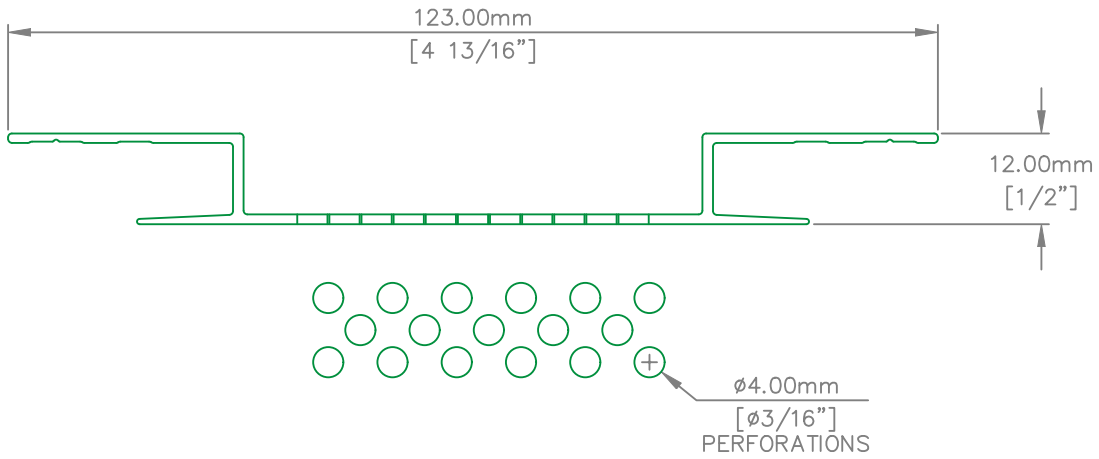
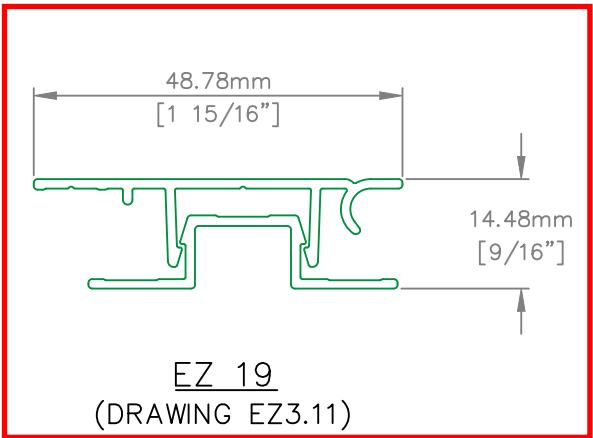
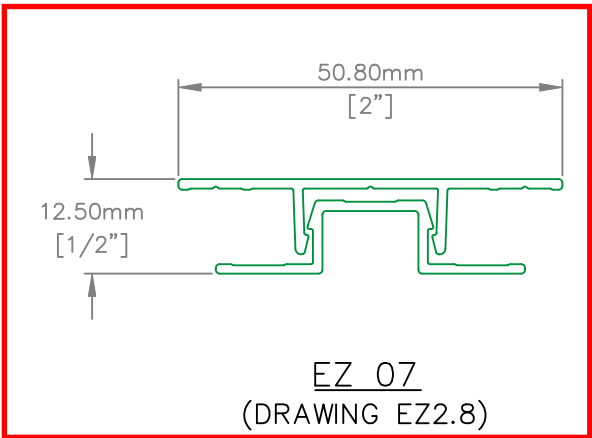
WALL THICKNESS APPROX. 1.3mm [.051\"] 16 ga

DESCRIPTION			
5/16" INSIDE CORNER & HORIZONTAL PANEL TRIM			
	SCALE	NTS	DRAWING NUMBER
	DATE	2021DEC	EZ1.2
	DRWN BY	HJ	




WALL THICKNESS APPROX. 1.3mm [.051\"] 16 ga

DESCRIPTION			
5/16" J PANEL TRIM			
	SCALE	NTS	DRAWING NUMBER
	DATE	2021DEC	EZ1.3
	DRWN BY	HJ	

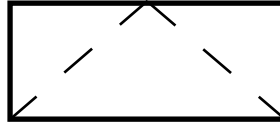


WALL THICKNESS APPROX. 1.3mm [.051\"] 16 ga

DESCRIPTION			
5/16" VERTICAL 2-PIECE & SOFFIT PANEL TRIM			
	SCALE	NTS	DRAWING NUMBER
	DATE	2021DEC	EZ1.4
	DRWN BY	HJ	



**QUAKER**  
COMMERCIAL WINDOWS AND DOORS



**V300 Series  
CW-50  
3 1/4" Frame Depth  
Awning (Project-Out)**

## V300 SERIES AWNING (PROJECT-OUT)

The Quaker V300 Series Awning window is ideal for a variety of applications including - Energy Efficient, Apartments, Assisted Living and Housing Authority.

### FEATURES

- ◇ **Commercial Framing System**
  - 3 1/4" main frame
- ◇ **Enhanced Design**
  - Mitered and welded corners
- ◇ **Glazing**
  - 1" insulated glass
- ◇ **Integral Nailing Fin**
- ◇ **Hardware**
  - Multi-point locking system with fold-down handle to avoid interference with window blinds
  - Heavy commercial 4-bar arms
  - Low profile flat lock
- ◇ **Screen**
  - Extruded aluminum screen frame with BetterVue™ mesh

### OPTIONS

- ◇ **Available Configurations**
  - Project-out awning
- ◇ **Muntin Choices**
  - Internal or simulated divided lites available
- ◇ **Limited Travel Hardware**
- ◇ **Screen**
  - Extruded aluminum screen frame with aluminum wire mesh
  - Extruded aluminum screen frame with sunscreen mesh
  - Extruded aluminum screen frame with stainless steel 0.009" thickness mesh
- ◇ **Glazing**
  - Capillary tubes
  - Argon gas
- ◇ **Panning & Trim Choices**
  - Wide variety of panning, receptor and trim available
- ◇ **Mulling**
  - Wide variety of structural mulls

### BENEFITS

- ◇ The capacity to match exterior colors for unique project facades
- ◇ The ability to facilitate large sizes for taller and wider window openings

### PERFORMANCE

- ◇ Structural & Thermal (test reports or thermal simulations available upon request)

Model	Awning (Project-Out)
AAMA/WDMA/CSA 101/I.S.2/A440-08 Rating	CW-50
Structural Load P.S.F.	75.19
Air at 50 MPH (cfm/ft <sup>2</sup> )	0.01
Water (No Penetration) P.S.F.	7.5
U-Value (with Low-E and Argon)	0.23-0.27
SHGC (with Low-E and Argon)	0.11-0.27

Window test size: 60" x 32"



Our products are tested to the standards of and certified by the American Architectural Manufacturer's Association, the National Fenestration Rating Council and the Window & Door Manufacturers Association.



**QUAKER**  
COMMERCIAL WINDOWS AND DOORS

# VINYL COLORS AND ARCHITECTURAL EXTERIOR PAINT COATINGS AND FINISHES

## ◇ Solid Vinyl Colors (interior & exterior)



## ◇ Optional Painted Colors (exterior only)



## ◇ Optional Unlimited Custom Painted Colors (exterior only)



\* Printed colors shown here may not accurately depict actual vinyl or painted colors. Color samples are available upon request.

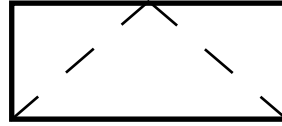
Our products are tested to the standards of and certified by the American Architectural Manufacturer's Association, the National Fenestration Rating Council and the Window & Door Manufacturers Association.







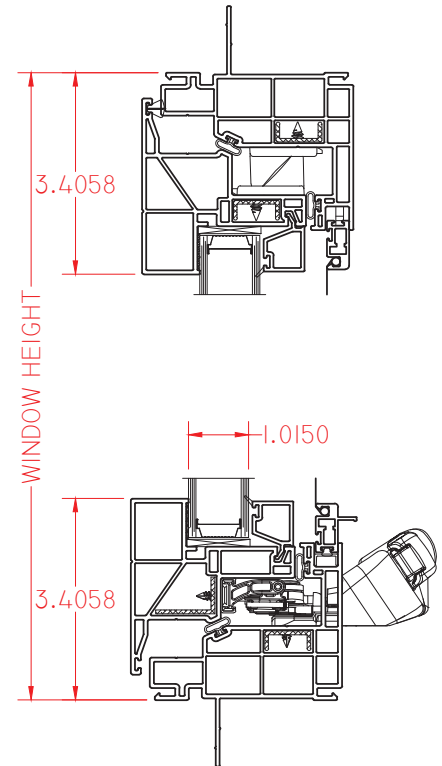
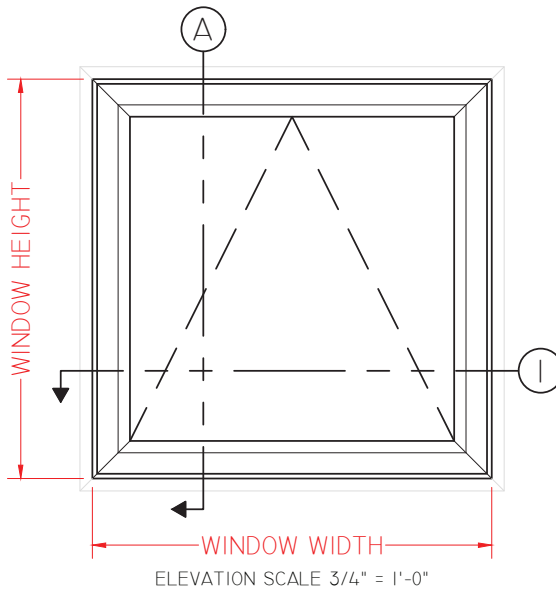
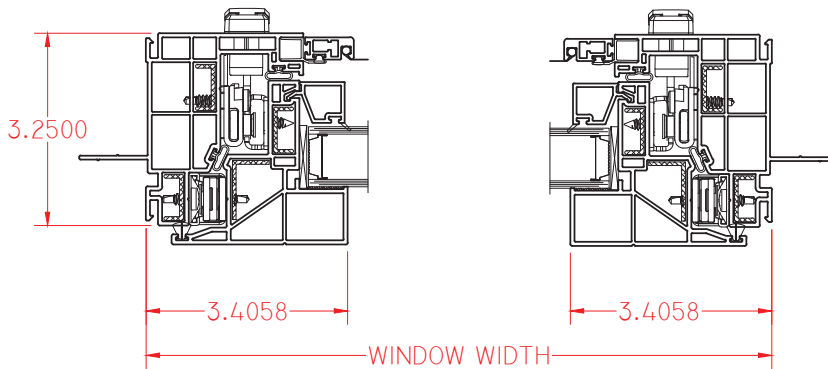
**QUAKER**  
COMMERCIAL WINDOWS AND DOORS



**V300 Series  
CW-50  
3 1/4" Frame Depth  
Awning (Project-Out)**

**V300 AWNING**

This document contains confidential and proprietary information intended for the private use of Quaker.  
© 2016 Quaker Window Products Co., INC. All rights reserved.  
Quaker reserves the right to change any/all designs without notice. Due to periodic re-certification requirements, result shown may vary.



SCALE 1:3

Our products are tested to the standards of and certified by the American Architectural Manufacturer's Association, the National Fenestration Rating Council and the Window & Door Manufacturers Association.



**QUAKER**  
COMMERCIAL WINDOWS AND DOORS



**QUAKER**  
COMMERCIAL WINDOWS AND DOORS



**V300 Series  
CW-50  
3 1/4" Frame Depth  
Picture Window (Fixed)**

## V300 SERIES PICTURE WINDOW (FIXED)

The Quaker V300 Series Picture window is ideal for a variety of applications including - Energy Efficient, Apartments, Assisted Living and Housing Authority.

### FEATURES

- ◇ **Commercial Framing System**
  - 3 1/4" main frame
- ◇ **Enhanced Design**
  - Mitered and welded corners
- ◇ **Glazing**
  - 1" insulated glass
- ◇ **Integral Nailing Fin**

### OPTIONS

- ◇ **Available Configurations**
  - Fixed
- ◇ **Muntin Choices**
  - Internal or simulated divided lites available
- ◇ **Glazing**
  - Capillary tubes
  - Argon gas
- ◇ **Panning & Trim Choices**
  - Wide variety of panning, receptor and trim available
- ◇ **Mulling**
  - Wide variety of structural mulls

### BENEFITS

- ◇ The capacity to match exterior colors for unique project facades
- ◇ The ability to facilitate large sizes for taller and wider window openings

### PERFORMANCE

- ◇ Structural & Thermal (test reports or thermal simulations available upon request)

Model	Picture Window (Fixed)
AAMA/WDMA/CSA 101/I.S.2/A440-08 Rating	CW-50
Structural Load P.S.F.	75.19
Air at 50 MPH (cfm/ft <sup>2</sup> )	0.01
Water (No Penetration) P.S.F.	7.5
U-Value (with Low-E and Argon)	0.21-0.27
SHGC (with Low-E and Argon)	0.15-0.35

Window test size: 78" x 78"



Our products are tested to the standards of and certified by the American Architectural Manufacturer's Association, the National Fenestration Rating Council and the Window & Door Manufacturers Association.



**QUAKER**  
COMMERCIAL WINDOWS AND DOORS

# VINYL COLORS AND ARCHITECTURAL EXTERIOR PAINT COATINGS AND FINISHES

## ◇ Solid Vinyl Colors (interior & exterior)



## ◇ Optional Painted Colors (exterior only)



## ◇ Optional Unlimited Custom Painted Colors (exterior only)



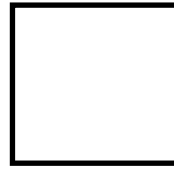
\* Printed colors shown here may not accurately depict actual vinyl or painted colors. Color samples are available upon request.

Our products are tested to the standards of and certified by the American Architectural Manufacturer's Association, the National Fenestration Rating Council and the Window & Door Manufacturers Association.





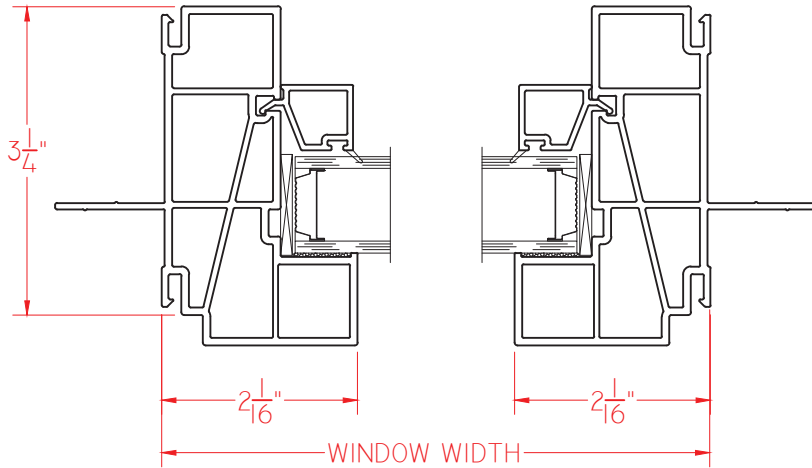
**QUAKER**  
COMMERCIAL WINDOWS AND DOORS



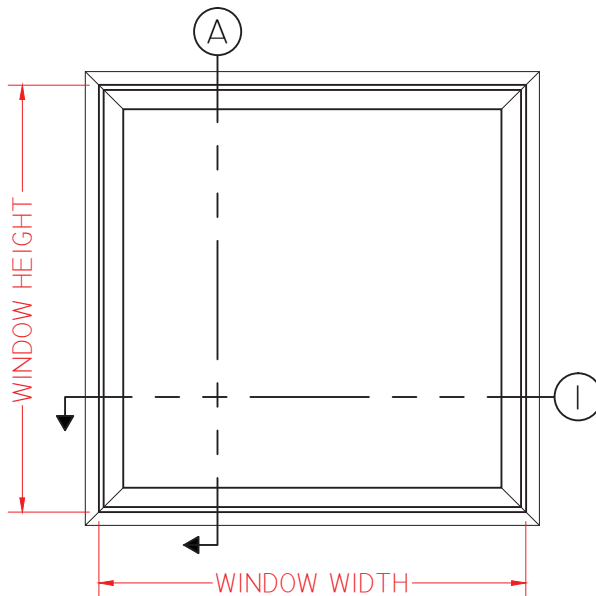
**V300 Series  
CW-50  
3 1/4" Frame Depth  
Picture Window (Fixed)**

**V300 PICTURE WINDOW**

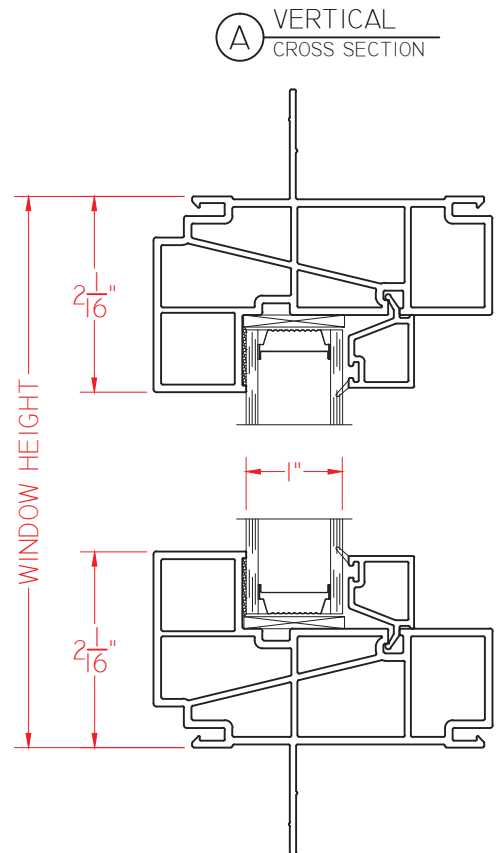
This document contains confidential and proprietary information intended for the private use of Quaker.  
© 2016 Quaker Window Products Co., INC. All rights reserved.  
Quaker reserves the right to change any/all designs without notice. Due to periodic re-certification requirements, result shown may vary.



① HORIZONTAL  
CROSS SECTION



ELEVATION SCALE 3/4" = 1'-0"



Ⓐ VERTICAL  
CROSS SECTION

SCALE 1:2

Our products are tested to the standards of and certified by the American Architectural Manufacturer's Association, the National Fenestration Rating Council and the Window & Door Manufacturers Association.



**QUAKER**  
COMMERCIAL WINDOWS AND DOORS

## CARPORT STYLE SINGLE COLUMN SINGLE

### DESIGN CRITERIA

Wind Load: 90 MPH minimum  
Ground Snow Load: 30 psf minimum  
All Federal, State and Local codes reviewed.

### COLUMNS

HSS ASTM A-500 Grade B  
Coating Options: Primed or Hot Dip Galvanized

### BEAMS

Wide Flange A-992 Grade 50 Steel.  
Coating Options: Primed or Hot Dip Galvanized

### PURLINS

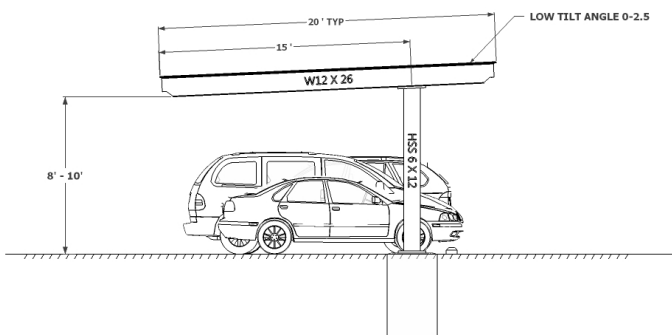
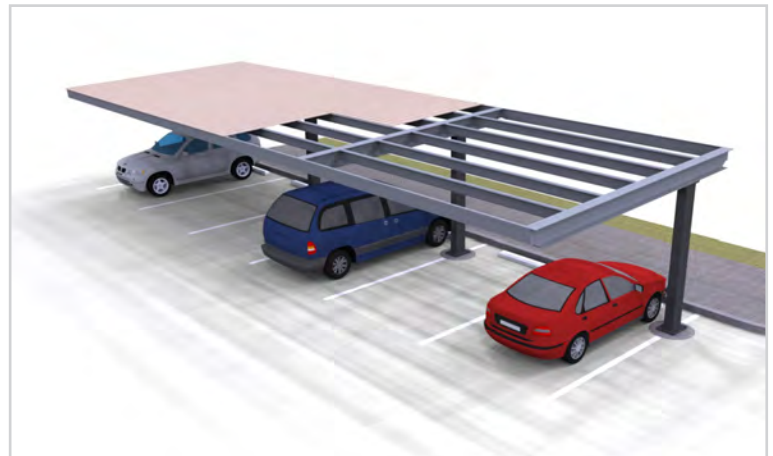
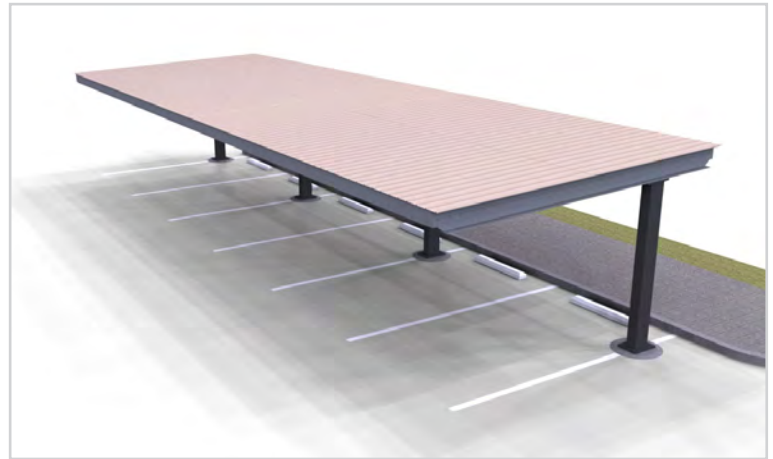
16 GA. Cold Rolled G-90 Galvanized Steel

### ROOFING

29 GA Roll formed, Exposed Fasteners, Galvanized Steel Panel with Siliconized Polyester or Kynar 500 Factory Applied Finish in a variety of colors with white underside.

### OPTIONS

Roof Slope  
Hot Dip Galvanizing  
Site Specific Layout and Configuration  
Standing Seam Roof Sheeting  
Soffit Under Sheeting  
Metal End Panels  
End Overhangs 1'  
Solar Racking





# Shades of Distinction

PROPOSED CARPORT ROOF COLOR



BRITE WHITE / REGAL WHITE \*



ROMAN BLUE



CLAY



IVORY



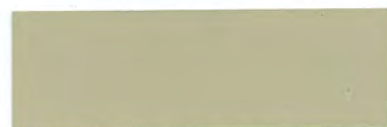
SURREY BEIGE



PATRICIAN BRONZE



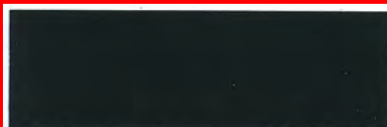
ASH GRAY



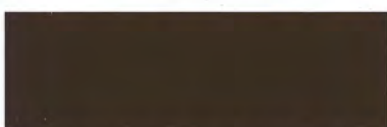
LIGHT STONE



AUTUMN RED



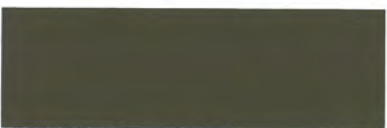
MATTE BLACK



TUDOR BROWN



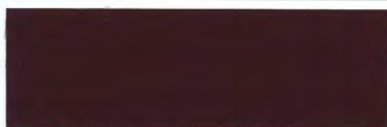
CHARCOAL



TERRATONE



EVERGREEN



BRANDYWINE



HARTFORD GREEN

- ADDITIONAL COST WILL APPLY FOR DEEP TONE COLORS.
- AVAILABLE IN KYNAR 500® ONLY.



ALL COLORS ARE ENERGY STAR COMPLIANT.

\*BRITE WHITE IS SILICONIZED POLYESTER. REGAL WHITE IS KYNAR 500®

# PROPOSED UNDERSIDE RAILING LIGHTING

## LineLED HE 48 Wet Tube

IP65 & IP68 rated Linear LED strip - 24V



The High Efficacy (LLHE48) Wet Tube series is a small form factor high performance constant voltage LED strip. Designed to deliver best in class efficacy while operating at low temperature, LLHE48 Wet Tube delivers constant light output, outstanding color consistency and dimming performance without the need of an additional heat sink. Available in 3 different outputs with a tight LED pitch of 0.25", LLHE48 Wet Tube offers a clean dot free illumination in most Luminii profiles when paired with our frosted lenses.

To maintain IP65, IP67, and IP68 rating, LLHE48 Wet Tube is factory sealed and bonded. Order in exact lengths required for install, LineLED Wet Tube is not field cuttable. IP rating of strip is equal to the lowest IP rating of section start and end options.

Applications: outdoor / wet location, above cabinet, cove lighting, counter accent, architectural accents, under banisters, decks, gazebos, barbeque stations and wet bars.

### Mounting

LED strip is equipped with 3M™ VHB™ adhesive transfer tape.

### Approvals

IP65, IP67, and IP68 rated

### Operating Environment Temperature

-30°C (-22°F) to 50°C (122°F)

### Operating voltage

24 VDC

### Lumen Maintenance:

Calculated L90 at 173,000 hours for High Output

### Warranty

3 years



## Technical information

MODEL	LO	SO	MO
LEDS/ft	48	48	48
Light output 3000K	231 lum/ft	330 lum/ft	441 lum/ft
Average power consumption (for 4' section)	1.9 W/ft	2.8 W/ft	3.5 W/ft
Ordering increment	1.97	1.97	1.97
Efficacy lum/watt	122 lm/W	118 lm/W	126 lm/W
Maximum run length (in series)	48 ft	42 ft	33ft

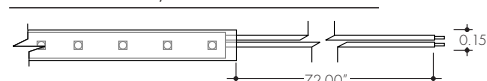
Dimensions 0.53"W x 0.24" H

Color Temperature	Multiplier (referenced from 3000K)	CRI	R <sub>f</sub>	R <sub>g</sub>	R <sub>9</sub>
2700K	0.94	92	90	99	58
3000K	1.00	92	89	99	57
3500K	1.02	92	89	99	60
4000K	1.02	92	86	94	71

### SECTION START/END OPTIONS

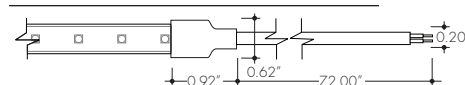
#### SL65

72" Soldered Leads, IP65 rated



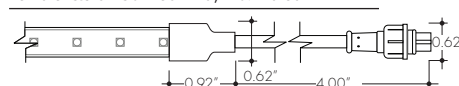
#### SL68

72" Soldered Leads, IP68 rated



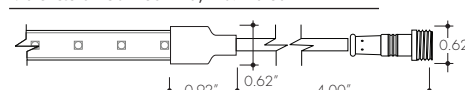
#### F

Female Quick Connect End, IP67 rated



#### M

Male Quick Connect End, IP67 rated



#### NC

No Connector



IP68 rated when used with SL68 selection

IP65 rated when used with SL65 selection

IP67 rated when used with M or F selection

## Ordering code

MODEL	ENCLOSURE	OUTPUT <sup>1</sup>	CCT	SECTION START	SECTION END <sup>2</sup>	LENGTH
LLHE48WET	T - Tube	LO - Low <b>SO - Standard</b> MO - Medium	27K - 2700K <b>30K - 3000K</b> 35K - 3500K 40K - 4000K	SL65 - IP65 Soldered lead wires (72") SL68 - IP68 Soldered lead wires (72") F - IP67 Female Quick Connect M - IP67 Male Quick Connect NC - No Connector	SL65 - IP65 Soldered lead wires (72") SL68 - IP68 Soldered lead wires (72") F - IP67 Female Quick Connect M - IP67 Male Quick Connect NC - No Connector	2' increments

1 - All outputs and CCTs combination be used to comply with Title 24 JAB.

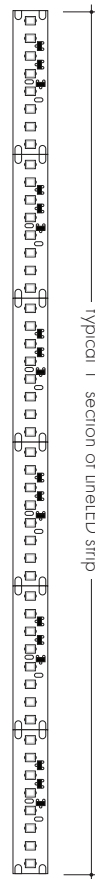
2 - IP rating of strip is equal to the lowest IP rating of section and start end options.

Power consumption per linear foot - loads tested with PSD series

Accessories

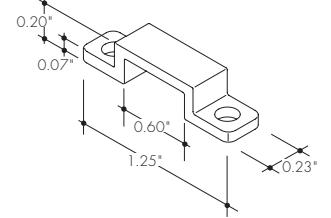
LLHE48WET

Length of Strip (LF)	LO		SO		MO	
	W/ft	Total wattage	W/ft	Total wattage	W/ft	Total wattage
1	1.7	1.7	2.5	2.5	3.5	3.5
2	1.9	3.7	2.7	5.4	3.5	7.0
3	2.0	5.7	2.8	8.2	3.5	10.2
4	1.8	7.1	2.8	11.2	3.5	13.9
5	1.8	9.0	3.0	14.6	3.6	17.6
6	1.9	11.3	2.9	17.9	3.5	21.4
7	1.8	13.1	2.9	20.8	3.5	25.1
8	1.8	14.7	2.9	23.3	3.6	28.5
9	1.8	16.4	2.9	25.9	3.5	31.9
10	1.8	18.1	2.9	28.6	3.5	35.5
11	1.7	19.1	2.8	31.2	3.5	38.9
12	1.7	20.4	2.9	34.4	3.5	42.3
13	1.7	22.1	2.8	36.8	3.5	45.7
14	1.6	22.8	2.8	39.3	3.5	48.8
15	1.6	23.5	2.8	41.9	3.5	52.1
16	1.6	25.6	2.8	45.3	3.5	56.5
17	1.7	28.5	2.8	48.1	3.5	59.4
18	1.7	30.4	2.8	51.0	3.5	62.8
19	1.8	33.6	2.8	53.3	3.5	65.8
20	1.8	35.8	2.8	56.0	3.5	69.0
21	1.8	37.7	2.8	59.4	3.4	71.4
22	1.8	39.5	2.8	61.3	3.3	73.5
23	1.8	41.4	2.8	64.4	3.3	75.4
24	1.8	43.1	2.8	66.0	3.2	77.2
25	1.9	46.2	2.7	68.1	3.2	78.8
26	1.9	48.2	2.7	70.7	3.1	79.8
27	1.9	50.4	2.7	72.0	3.0	81.4
28	1.9	52.2	2.6	73.6	3.0	82.9
29	1.9	53.9	2.6	74.7	2.9	84.2
30	1.9	57.7	2.5	76.1	2.9	86.1
31	1.9	59.6	2.5	77.0	2.8	87.6
32	1.9	61.4	2.4	77.7	2.8	89.2
33	1.9	63.3	2.4	78.9	2.7	90.7
34	1.9	65.0	2.3	78.0		
35	1.9	65.4	2.2	78.1		
36	1.9	67.1	2.2	79.5		
37	1.9	69.3	2.2	80.4		
38	1.9	71.1	2.1	80.9		
39	1.9	73.0	2.1	81.0		
40	1.9	74.7	2.0	81.2		
41	1.9	76.0	2.0	82.6		
42	1.8	77.3	2.0	83.0		
43	1.8	78.6				
44	1.8	79.9				
45	1.8	81.1				
46	1.8	81.8				
47	1.8	82.5				
48	1.7	83.1				



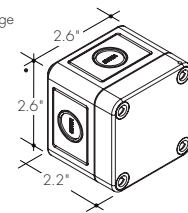
Mounting clip:  
recommended at every 12" when  
LineLED strip is facing down.

Part # CL-2



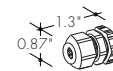
Splice Box:  
Wet rated, low voltage  
splice box, gray

Part # LVSP-WET



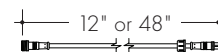
Connector:  
Low voltage splice box wet cable  
management gray

Part # LVSP-WET-CM



Male/Female Joiner:  
linking and extension cable in 12" or 48"

Part # IP68-12  
IP68-48



Lens options / light transmission percentage per lens

**C** Clear

**HF** Half (50%) Frosted

**G** Graze

**SI** Satin Ice

**S** Square Frosted

**Q** Rounded Square Frosted

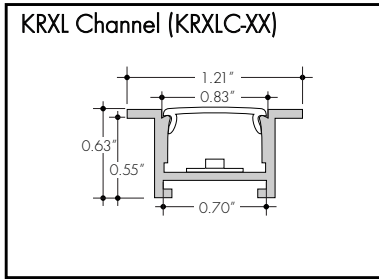
**F** Frosted

**M** Medium beam frosted

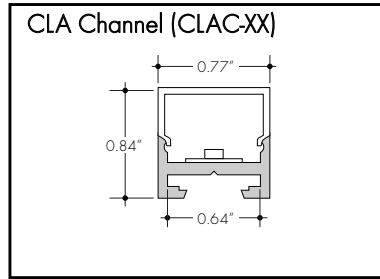
**R** Raised

**C36** Clear 36° beam angle

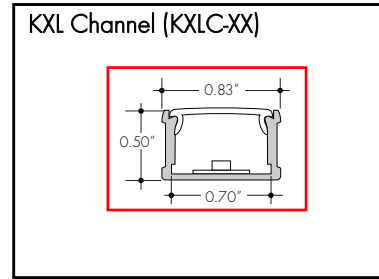
**C10** Clear 10° beam angle



**C** 74%  
**F** 46%  
**HF** 61%



**S** 62%  
**Q** 63%



**C** 74%  
**F** 46%  
**HF** 61%

\*Not compatible with IP68 connectors

**Installation**

All mounting channels are field cuttable using miter saw with circular blade suitable for cutting aluminum.

**Ordering**

Extrusions are sold separately. View respective specsheets for details on ordering extrusions and their accessories (endcaps, mounting brackets, etc).

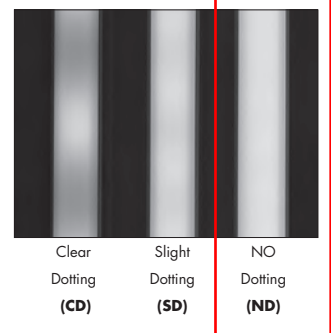
**Discontinued Extrusion Reference Link**

<https://www.luminii.com/media/4351/extrusion-update-02.pdf>

**LED Dotting per extrusion**

using the frosted lens option

extrusion	LED Model
<b>KXLC, KRXLC</b>	ND
<b>KLC, KRLC</b>	ND
<b>CLAC</b>	ND

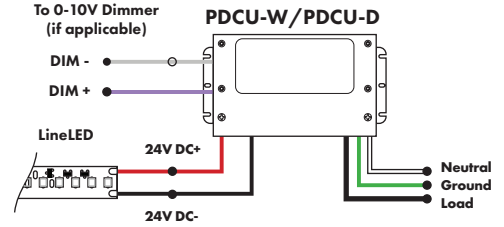


**Power Supplies**

See Power Supply instructions and spec sheet for wiring information. For a complete list of compatible dimmers, see Compatible Dimming Chart on the Resources page.

**Universal Power Supply 1% 120VAC - 277VAC**

MODEL	POWER	OUTPUT
PDCU-D - IP20 Dry Series	30 - 30 W 60 - 60 W 96 - 96 W 3X96 - 3X96 W	24 - 24 VDC
PDCU-W - IP66 Wet Series	96 - 96 W 3X96 - 3X96 W	

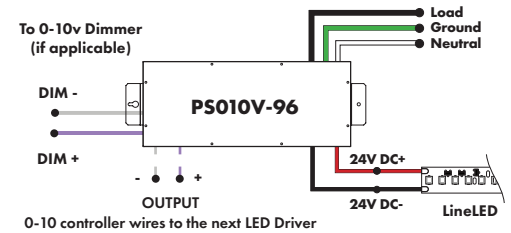


0-10V dims down to 1%, MLV/ELV/TRIAC dims down to 1%.  
For a complete list of compatible dimmers, see [Compatible Dimming Chart](#) on the Resources page.

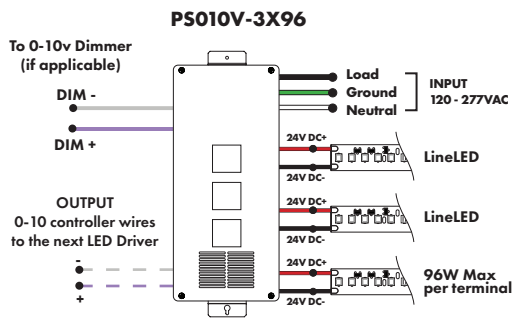
MODELS	PDCU-W 96W	PDCU-W 3X96W	PDCU-D 30W	PDCU-D 60W	PDCU-D 96W	PDCU-D 3X96W
<b>Length</b>	8.66"	11.85"	6.10"	7.93"	8.25"	9.57"
<b>Width</b>	3.73"	4.32"	3.35"	3.35"	4.10"	5.94"
<b>Depth</b>	1.61"	1.81"	1.33"	1.32"	1.56"	1.13"

**0-10V Dimming Power Supplies 0.1% 120VAC - 277VAC**

MODEL	POWER	OUTPUT	DIMMING
PS010V - 0-10V Power Supply dims down to 0.1%	96 - 96 Watt 3X96 - 3 X 96 Watt	24 - 24 VDC	LIN - Linear LOG - Logarithmic



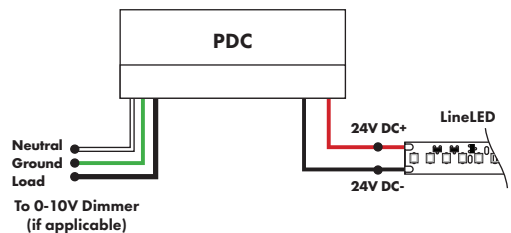
MODELS	96W	3X96
<b>Length</b>	14.40"	15.75"
<b>Width</b>	5.20"	6.62"
<b>Depth</b>	2.60"	4.95"



**Triac, MLV, ELV, & PWM Compatible Dimmers**

MODEL	POWER	OUTPUT
PDC - (IP20) Power Supply	96 - 96 Watts	24 - 24 VDC

MODELS	96W
<b>Length</b>	8.25"
<b>Width</b>	4.10"
<b>Depth</b>	1.56"





**Power Supplies**

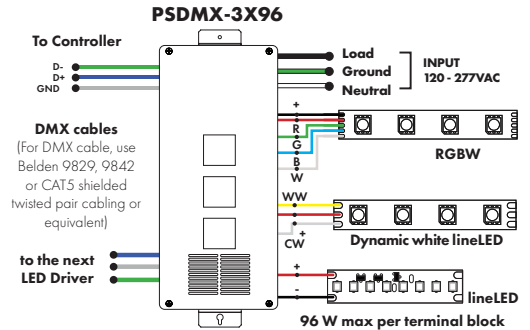
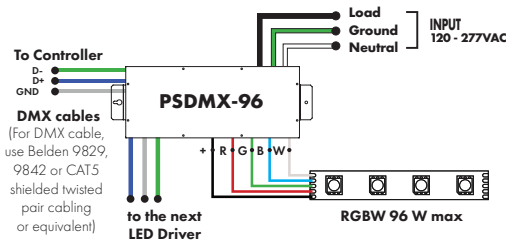
See Power Supply instructions and spec sheet for wiring information. For a complete list of compatible dimmers, see Compatible Dimming Chart on the Resources page.

**DMX Dimming Power Supplies 120VAC - 277VAC**

MODEL	POWER	OUTPUT
PSDMX - DMX Power Supply dims down to 0%	96 - 96 Watt 3X96 - 3 X 96 Watt	24 - 24 VDC

Features eldoLED's LINEARdrive configurable dimmable drivers

MODELS	96W	3X96
<b>Length</b>	14.40"	15.75"
<b>Width</b>	5.20"	6.62"
<b>Depth</b>	2.60"	4.95"

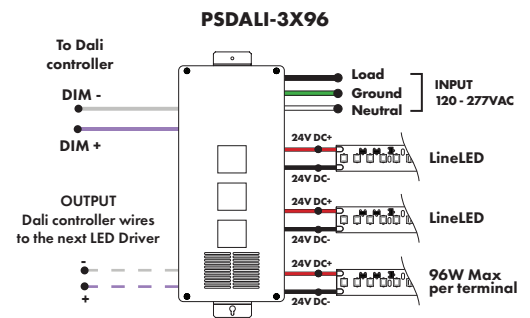
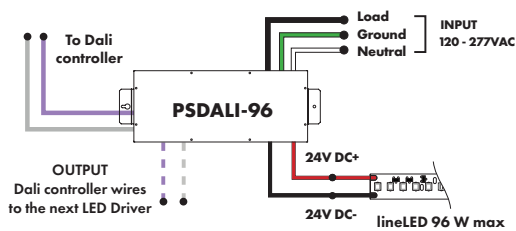


**DALI 0% Dimming Power Supplies 120VAC - 277VAC**

MODEL	POWER	OUTPUT
PSDALI - DALI Power Supply dims down to 0%	96 - 96 Watt 3X96 - 3 X 96 Watt	24 - 24 VDC

Features eldoLED's LINEARdrive configurable dimmable drivers

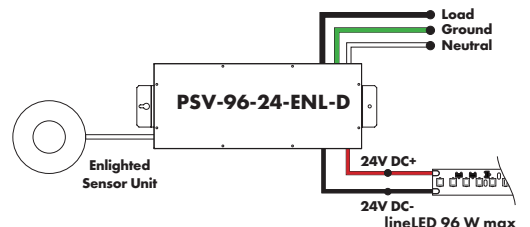
Model	96W	3X96
<b>Length</b>	14.40"	15.75"
<b>Width</b>	5.20"	6.62"
<b>Depth</b>	2.60"	4.95"



**Enlighted Enabled Dimming Power Supplies 120VAC - 277VAC**

MODEL	POWER	OUTPUT	DIMMING	LOCATION
PSV - PSV Series	96 - 96 Watt	24 - 24 VDC	ENL - Enlighted Dimming dims down to 0%	D - Damp

<b>Model</b>	<b>96W</b>
<b>Length</b>	14.40"
<b>Width</b>	5.20"
<b>Depth</b>	2.60"



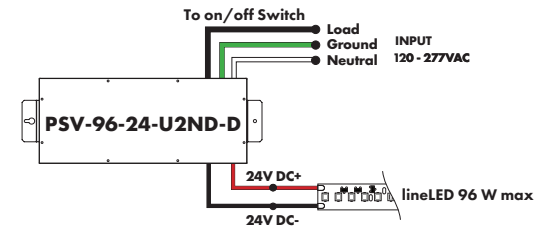
## Power Supplies

See Power Supply instructions and spec sheet for wiring information. For a complete list of compatible dimmers, see Compatible Dimming Chart on the Resources page.

### Non-Dimming Power Supply 120VAC - 277VAC

MODEL	POWER	OUTPUT	DIMMING	LOCATION
PSV - PSV Series	96 - 96 Watt	24 - 24 VDC	U2ND - Non Dimming	D - Damp

MODELS	96W
Length	14.40"
Width	5.20"
Depth	2.60"

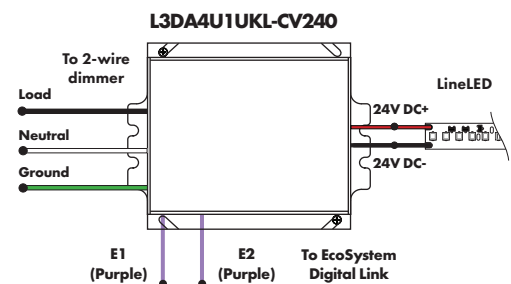
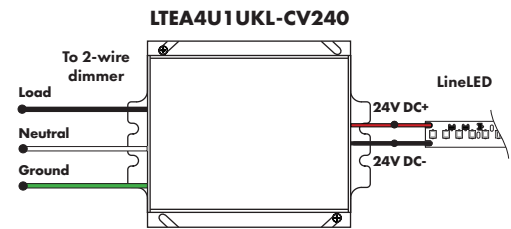


Luminii is a Lutron OEM Advantage Partner

### Lutron Power Supplies 1%

MODEL	MODEL
<b>LTEA4U1UKL-CV240</b>	<b>L3DA4U1UKL-CV240</b>
Lutron - HiLume™ 1% 2-wire LED Driver 40W max	HiLume™ 1% EcoSystem Voltage LED driver 40W max
(120V forward phase only)	

MODELS	LTEA4U1UKL-CV240	L3DA4U1UKL-CV240
Length	4.89"	4.98"
Width	4.00"	4.00"
Depth	2.62"	2.62"

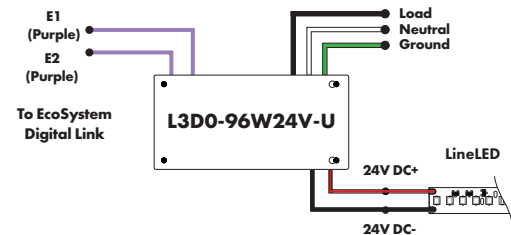


Luminii is a Lutron OEM Advantage Partner

### Lutron Power Supplies 0.1%

MODEL
<b>L3D0-96W24V-U</b>
HiLume™ 0.1% EcoSystem Voltage LED Driver with Soft-On, Fade-to-Black™ 96W max

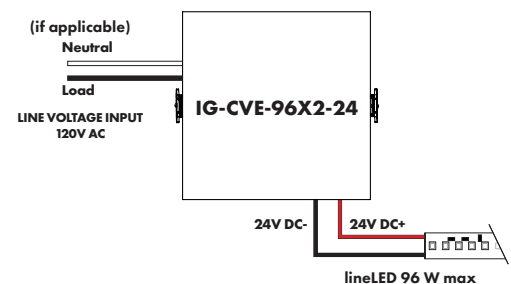
MODELS	L3D0
Length	10.50"
Width	5.50"
Depth	2.00"



### In-Ground Power Supplies

MODEL	POWER	OUTPUT	INPUT
IG - In ground CVE Series	CVE - ELV Dimming DALI - eidoLED Dali dimming Both dims down to 0%	96X2 - 2 X 96 Watt	24 - 24 VDC
			Blank - 120 V 277 - 240/277 V

MODELS	Dual Circuit
Length	8.40"
Width	8.30"
Depth	8.10"



# BeveLED 2.2 Complete - B4RD 4.5" Round Downlight

Universal and Field Convertible - Trim | Trimless | Millwork



usaighting.com/beveled



### FEATURES

- Field Flexibility between trimmed, trimless and millwork
- Dry/damp/wet location rated for bathrooms and showers, including trimless and millwork
- 1% dimming standard + more dimming options
- Clear overspray protector for installation convenience
- Full family platform
- Iconic beveled look

### COMPANION FAMILY PRODUCTS



Deep Regress - B4RC  
usaighting.com/B4RC



Adjustable - B4RA  
usaighting.com/B4RA



Wall Wash - B4RW  
usaighting.com/B4RW

### DOWNLIGHT PERFORMANCE DATA

### LED COLOR CHOICES

DELIVERED* PERFORMANCE:	Classic White						Warm Glow Dimming		Color Select	
	9W	12W	16W	24W	33W	36W	16W	32W	16W	32W
Source Lumens:	1150	1300	1725	2400	3025	4150	1275	2150	1250	2075
Lumens Per Watt:	93	86	86	80	71	99	69	61	60	53
Delivered Lumens:	775	1025	1375	1925	2400	3450	1100	1800	950	1600
EM Mode Output:	575 Delivered Lumens (nominal)						450 Delivered Lumens		475 Delivered Lumens	

\*Based on 3000K, 80+ CRI. Performance varies for each specific beamspread and color temperature. See IES files for exact values at usaighting.com.

### CORRELATED COLOR TEMPERATURE MULTIPLIER

	Classic White								Warm Glow Dimming				Color Select					
	2700K		3000K		3500K		4000K		2700K		3000K		2200K	2700K	3500K	4000K	5000K	6000K
Color Rendering Index:	80+	90+	80+	90+	80+	90+	80+	90+	80+	90+	80+	90+	80+	80+	80+	80+	80+	80+
Multiplier for Lumen Output:	0.94	0.78	1.00	0.78	1.00	1.00	1.06	1.06	0.94	0.74	1.00	0.80	0.87	0.96	1.04	1.09	1.13	1.18

### THE COMPLETE BEVELED FAMILY PLATFORM

More Ceiling Applications

More Sizes and Shapes

Armstrong® Ceiling Solutions Compatible



Sloped Ceiling



BeveLED Block



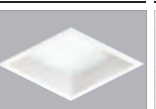
Cylinders



BeveLED Micro



BeveLED Mini



BeveLED 5.0



Trimless Acoustical



Connect TechZone



BeveLED Connect

**USAI LIGHTING COLLABORATORY**  
13 Crosby Street  
New York, NY 10013  
845-234-4090  
showroom@usaighting.com

**USAI LIGHTING HEADQUARTERS**  
1126 River Road  
New Windsor, NY 12553  
T: 845-565-8500 F: 845-561-1130  
info@usaighting.com

© 2017, USAI, LLC. All rights reserved.  
All designs protected by copyright. Covered by US Patents: 8,581,520, 8,456,109, 8,742,695, 9,671,091 and 7,832,889.  
Patents pending: USAI, BeveLED, Warm Glow Dimming and Color Select are registered trademarks of USAI, LLC.  
Created: 06/09/2022

# BeveLED 2.2 Complete - B4RD 4.5" Round Downlight

B4RDF	24C3	40KS	50	S	WH-WH-NT	FT	UNV-D6A	-	-	CB27
Trim Style	Wattage	LED Color	Beam	Lens	Finish	Housing Choices	Voltage & Dimming Driver	EM Battery	Remote Options	Options
<b>F</b> Trimmed with Flange (use with all materials)	Classic White <b>09C3</b> 9W LED <b>12C3</b> 12W LED <b>16C3</b> 16W LED <b>24C3</b> 24W LED	<b>27KS</b> 2700K, 80+ CRI <b>27KH</b> 2700K, 90+ CRI <b>30KS</b> 3000K, 80+ CRI <b>30KH</b> 3000K, 90+ CRI <b>35KS</b> 3500K, 80+ CRI <b>35KH</b> 3500K, 90+ CRI <b>40KS</b> 4000K, 80+ CRI <b>40KH</b> 4000K, 90+ CRI	25° beam 30° beam 40° beam 50° beam 60° beam 90° beam	<b>S</b> Solite (provided standard) <b>SF</b> Solite Frosted <b>BF</b> Borosilicate Frosted	Single Color <b>WH-WH</b> White <b>SC-SC</b> Conduit Silver <b>GR-GR</b> Grey <b>BL-BL</b> Black <b>BZ-BZ</b> Bronze <b>PR-PR</b> Primer Finish <b>QW-QW</b> Antimicrobial Paint, White <b>AC-AC</b> Clear Matte Anodized <b>AB-AB</b> Piano Gloss Black <b>RAL-RAL</b> Custom Color Specify RAL#	Integral Dimming Driver Housings <b>FT</b> Flat Housing New Construction <b>FTIC</b> Flat Housing IC Rated (up to 16W max) <b>FTCP</b> Flat Housing Chicago Plenum <b>NCSM</b> New Construction Narrow Width <b>NC</b> New Construction <b>NCIC</b> Insulation Contact Rated / Airtight <b>NCCP</b> Chicago Plenum	Universal Voltage 120V-277V <b>No Additional Charge</b> <b>UNV-D6E</b> EldoLED 0-10V, 1% <b>UNV-D6F</b> EldoLED 0-10V, 1% <b>UNV-D4H</b> Lutron H ECO, 1% Fade <b>UNV-D4</b> Lutron ECO/3-wire 1% <b>UNV-D6A</b> EldoLED 0-10V, 0.1% <b>UNV-D6B</b> EldoLED 0-10V, 0.1% <b>UNV-D7</b> EldoLED DALI, 0.1% <b>UNV-D28</b> EldoLED DMX, 0.1% 120V Only <b>No Additional Charge</b> <b>120V-D19</b> Phase 2-wire, 1% <b>120V-D3</b> Lutron 2-wire, 1% 347V Only <b>347V-D15</b> 0-10V dim, 1% 347V only	<b>-</b> None <b>EM</b> Emergency Battery <b>EMW</b> Emergency Battery Wet Location <b>EM5</b> Remote EM battery requires remote enclosure by others, minimum size 11" L x 6.75" W x 3.25" H	<b>-</b> None <b>MP</b> Junction Box Mounting Plate, 5-1/8" x 5-1/8" <b>ENC</b> Single Driver enclosure, 4-1/8" x 9-11/16" x 2-3/8"	<b>-</b> None (Nailerbars provided standard) <b>CB27</b> 27" C-Channel Bars <b>CB32</b> 32" C-Channel Bars <b>CB52</b> 52" C-Channel Bars
<b>L</b> Trimless Spackle-in (use with sheetrock and plaster only)	<b>16C3</b> 16W LED <b>24C3</b> 24W LED	<b>30KS</b> 3000K, 80+ CRI <b>30KH</b> 3000K, 90+ CRI	50° beam		<b>BL-BL</b> Black	Remote Dimming Driver Housings <b>FT-RM</b> Flat Housing New Construction <b>FTIC-RM</b> Flat Housing IC Rated (up to 16W maximum) <b>FTCP-RM</b> Flat Housing Chicago Plenum <b>NCSM-RM</b> New Construction Narrow Width <b>NC-RM</b> New Construction <b>NCIC-RM</b> Insulation Contact Rated / Airtight <b>NCCP-RM</b> Chicago Plenum				
<b>M</b> Millwork Knife-Edge (use with wood and stone)	Warm Glow Dimming <b>16WG2</b> 16W LED <b>32WG2</b> 32W LED	<b>2722KS</b> 2700K-2200K, 80+ CRI <b>2722KH</b> 2700K-2200K, 90+ CRI <b>3022KS</b> 3000K-2200K, 80+ CRI <b>3022KH</b> 3000K-2200K, 90+ CRI			Dual Tone <b>AC-WH</b> AC bevel, WH flange <b>AC-BL</b> AC bevel, BL flange <b>AC-BZ</b> AC bevel, BZ flange <b>AB-WH</b> AB bevel, WH flange <b>AB-GR</b> AB bevel, GR flange <b>AB-BZ</b> AB bevel, BZ flange					
	Color Select <b>16CS1</b> 16W LED <b>32CS1</b> 32W LED	<b>6022KS</b> 6000K-2200K, 80+ CRI			Natatorium Protection <b>WH-WH-NT</b> White Natatorium <b>SC-SC-NT</b> Conduit Silver Nat. <b>GR-GR-NT</b> Grey Natatorium <b>BL-BL-NT</b> Black Natatorium <b>BZ-BZ-NT</b> Bronze Natatorium					

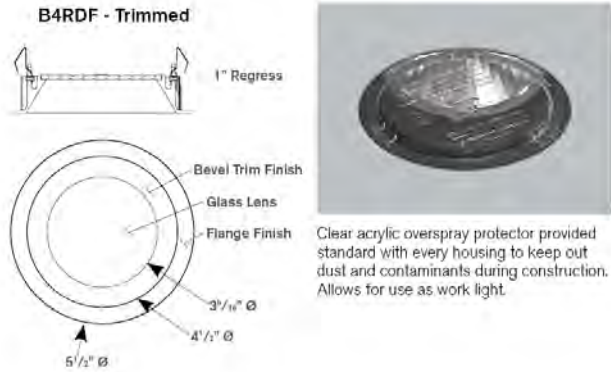
Part # B4RDF24C340KS50SWH-WH-NTFTUNV-D6A--CB27

**IMPORTANT NOTES**

- Color Select tunable white option requires additional 0-10V dimming wires; see wiring diagram for details.
- When NC housing is specified, integral Emergency Battery option is supplied with an integral test switch and is dry/damp/wet location rated.
- When NCSM housing is specified, the integral EM battery is supplied with a remote test switch that is dry/damp only; select EMW option for a gasketed, wet-location rated remote test switch with NCSM housing. EM options require above ceiling access for service with NCSM housings.

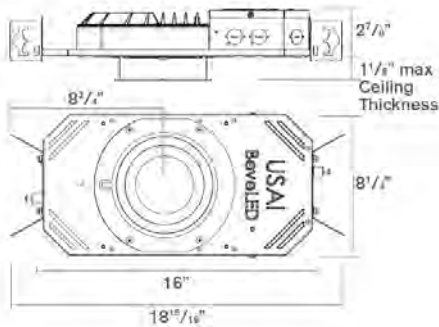
# BeveLED 2.2 Complete - B4RD 4.5" Round Downlight

**TRIM DETAILS**



**HOUSING DETAILS**

**B4RDF Flat Housing - FT**



**FIELD REPLACEABLE LED LIGHT ENGINE** is serviceable through the aperture with a Phillips screwdriver.

**USAI CLASSIC WHITE LED COLOR TECHNOLOGY:** is tightly binned for fixture-to-fixture color consistency within a 2-Step MacAdam's Ellipse.

**TRIM:** Die cast aluminum beveled trim has a 4.5" aperture with a 1" regressed bevel and retains a glass lens.

**HOUSING:** All BeveLED 2.2 fixtures are field-flexible which allows for field changes from trimless or millwork to trimmed with a simple components change with parts from USAI. Housings are fabricated of 20 ga. steel construction with thru wire J-box, 4 in 4 out at min. 90 degrees Celsius, #12 AWG thru branch circuit wiring.

**MOUNTING:** BeveLED overlap flange fixtures are designed for use in sheetrock, acoustical ceiling tile, and many other ceiling materials. Butterfly brackets and residential grade adjustable nailer bars extendible from 14" to 24" centers with integral nails are provided standard for attachment to building structure. C-channel bars are optionally available for acoustical ceiling applications.

**FIXTURE WEIGHT:** 8 lbs

**CEILING CUT OUT:** Round Trimmed with Overlap Flange= 5-1/16" Diameter circle

**WARRANTY:** Based on IESNA LM80-2008, USAI Lighting LED light fixtures have a 50,000 hour rated life at 70% lumen maintenance (L70). USAI Lighting Warranty covers replacement parts for 5 years from date of shipment. Ambient temperatures at fixture location should not exceed 40 degrees C.

**LISTINGS:** Dry/Damp/Wet location. AC and AB trim finishes are dry/damp only. EM Integral test switch is dry/damp/wet rated; EM remote test switch is dry/damp only. Select EMW option for wet location remote test switch. UL2043 rated for use in air handling plenums. NRTL/CSA-US tested to UL standards. IBEW union made.



**NOTES:** Not for use in corrosive environment. Use of pressure washer voids warranty.

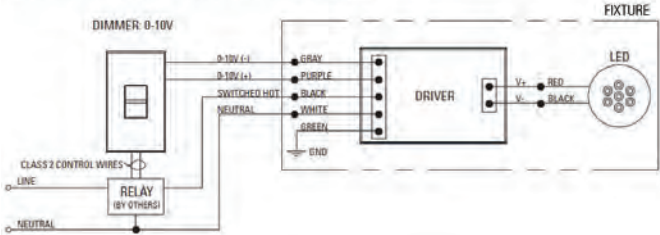
**PHOTOMETRICS:** Consult factory or website for IES files. Tested in accordance with IESNA LM79.

# BeveLED 2.2 Complete - B4RD 4.5" Round Downlight

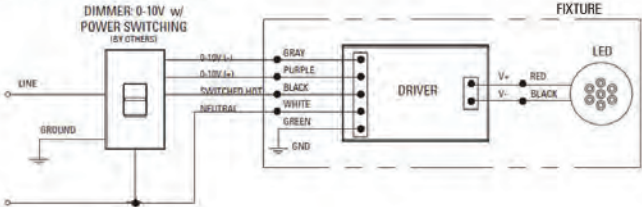
**FIELD REPLACEABLE DIMMING DRIVER:** An EldoLED SOLOdrive 0-10V, 100%-0.1% linearly programmed solid state electronic constant current integral dimming driver with a high power factor is provided and sources 2mA. This dimming driver is located within the fixture housing and is serviceable from below the ceiling through the aperture. Some ontime delay may be experienced depending on control system used. All dimming drivers comply with IEEE C62.41 surge protection.

Manufacturer	Product	Part Number	Dimmed Light Output Range	Qty Fixtures Per Dimmer*
<b>120V &amp; 277V</b>				
Lutron	Diva	DVTV/NFTV with PP-20	99% - 0.1%	Refer to manufacturer's dimmer load rating for maximum and minimum fixture quantities per dimmer.
Lutron	Nova T	NTFTV with PP-20	99% - 0.1%	
Lutron	Energi Savr Node	QSN-4T16-S	100% - 0.1%	
Lutron	GP Dimming Panels	TVM2 Module	99% - 0.1%	
Lutron	Interfaces	GRX-TVI w/ GRX3503	100% - 0.1%	
Sensor Switch	nID	nID EZ	100% - 0.1%	
enlighted	Control Unit	CU-3E-1R	100% - 0.1%	

0-10V DIMMING WITH RELAY TO SWITCH POWER



0-10V DIMMING (NO RELAY)





# BeveLED 2.2 Complete - B4RD 4.5" Round Downlight



## FOR OFFICE ONLY

**BeveLED 2.2 Housing:** B4RDF-24C3-40KS-50-FT-UNV-D6A---HSG  
**BeveLED 2.2 Trim:** B4RDF-S-WH-WH-NT-TRM

**Complete:** -

## DOWNLOAD FILES

### SPEC SHEETS

[B4RD - RD\\_DL](#)

### ↓ IES FILES

### PERFORMANCE DATA

[B4RD Photometry](#)

### ↓ REVIT / BIM

## INSTALLATION INSTRUCTIONS

[BeveLED 2.2 FT-FTIC-FTCP Installation Instructions](#)

[BeveLED 2.2 FT-FTIC-FTCP Service Instructions](#)

[BeveLED 2.2 NCIC-NCCP Installation Instructions](#)

[BeveLED 2.2 NC-NCIC-NCCP Service Instructions](#)

[BeveLED 2.2 NCSM Installation Instructions](#)

[BeveLED 2.2 NCSM Service Instructions](#)

## DIMMING COMPATIBILITY

[BeveLED 2.2 Dimming Compatibility](#)

## BROCHURES

[BeveLED 2.2 Brochure](#)

### USAI LIGHTING COLLABORATORY

13 Crosby Street  
New York, NY 10013  
845-234-4090  
showroom@usailighting.com

### USAI LIGHTING HEADQUARTERS

1126 River Road  
New Windsor, NY 12553  
T: 845-565-8500 F: 845-561-1130  
info@usailighting.com

© 2017. USAI, LLC. All rights reserved.  
All designs protected by copyright. Covered by US Patents: 8,581,520,  
8,456,109, 8,742,695, 9,671,091 and 7,832,889.  
Patents pending. USAI, BeveLED, Warm Glow Dimming  
and Color Select are registered trademarks of USAI, LLC.  
Created: 06/09/2022

**PROPOSED CARPORT DOWNLIGHT**



# VCPGX Ultimate LED Parking Garage

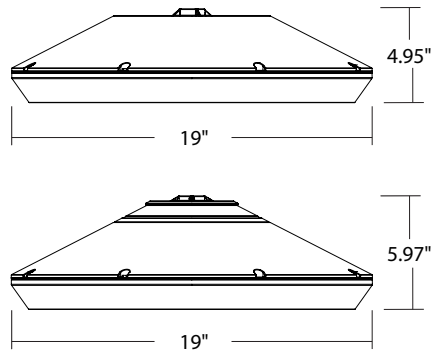


Catalog Number
Notes
Type

Hit the Tab key or mouse over the page to see all interactive elements.

## Specifications

- Diameter:** 19"
- Height:** 4.95"  
(6" with Up-Light)
- Weight** (max, with no options): 25 lbs



## Introduction

The all new VCPGX LED (Visually Comfortable Parking Garage) luminaire is the ultimate solution for parking garage applications. The deep recessed lens design of VCPGX LED minimizes high angle glare, while its patent pending transition zone reduces the contrast ratio between the luminaire and the dark ceiling. The dedicated up-light module option further reduces this contrast, creating a more visually comfortable environment.

The VCPGX LED delivers up to 87% in energy savings when replacing 175W metal halide luminaires. With over 100,000 hour life expectancy (12+ years of 24/7 continuous operation), the VCPGX LED luminaire provides significant maintenance savings over traditional luminaires.

A+ Capable options indicated by this color background.

## Ordering Information

**EXAMPLE: VCPGX LED V8 P3 40K 70CRI T5M MVOLT PM UPL2 DWHXD**

Series	LED Light Engines	Package	Color temperature	Color Rendering Index	Distribution	Voltage	Mounting
VCPGX LED	V4 4 Light Engines	P1	30K 3000 K	70CRI	T5M Type V, medium	MVOLT	<b>Shipped included</b> PM Pendant mount standard (24-inch length supply leads) SRM Surface mount (24-inch length supply leads) ARM Arm mount (use RSXWBA accessory to mount to a wall)  <b>Shipped separately</b> YK Yoke/trunnion mount <sup>2</sup>
		P2	35K 3500 K	80CRI	T5R <sup>1</sup> Type V, rectangular	347	
	V8 8 Light Engines	P3	40K 4000 K	T5W Type V, wide	480	120	
		P4	50K 5000 K	T5E Type V entry		208	
		P5		LANE <sup>1</sup> Drive lane		240	
		P6				277	
		P7 (with V8 only)				347	
					480		

Options	Finish (required)
<b>Shipped installed</b> UPL1 Up-Light: 500 lumens UPL2 Up-Light: 700 lumens E8WC Emergency battery backup, CEC compliant (8W, -20°C min) <sup>3,4,5</sup> E10WH Emergency battery backup, CEC compliant (10W, 5°C min) <sup>3,4,5</sup> HA High ambient (50°C, only P1-P4) SF Single fuse (120V, 277V, 347V) DF Double fuse (208V, 240V, 480V) SPD10KV 10KV Surge Pack LDS36 36in (3ft) lead length LDS72 72in (6ft) lead length LDS108 108in (9ft) lead length DMG External 0-10V leads (no controls) <sup>6</sup>	DWHXD White DNAXD Natural aluminum DDBXD Dark bronze DBLXD Black
<b>Standalone Sensors/Controls</b> PIR Motion/ambient sensor for 8-15' mounting heights PIRH Motion/ambient sensor for 15-30' mounting heights PIR3FC3V Motion/ambient sensor for 8-15' mounting heights, pre programmed to 3fc and 35% light output PIRH3FC3V Motion/ambient sensor for 15-30' mounting heights, pre programmed to 3fc and 35% light output PIR3FC3V924 UL924 Listed motion/ambient sensor for emergency circuit for 8-15' mounting heights, pre programmed to 3fc and 35% light output <sup>7</sup> PIRH3FC3V924 UL924 Listed motion/ambient sensor for emergency circuit for 15-30' mounting heights, pre programmed to 3fc and 35% light output <sup>7</sup>	
<b>Networked Sensors/Controls</b> NLTAIR2 PIR nLIGHT AIR Wireless enabled motion/ambient sensor for 8-15' mounting heights NLTAIR2 PIRH nLIGHT AIR Wireless enabled motion/ambient sensor for 15-30' mounting heights NLTAIR2 PIR924 nLIGHT AIR Wireless enabled, UL 924 Listed motion/ambient sensor for emergency circuits for 8-15' mounting heights <sup>8</sup> NLTAIR2 PIRH924 nLIGHT AIR Wireless enabled, UL 924 Listed motion/ambient sensor for emergency circuits for 15-30' mounting heights <sup>8</sup>	
<b>Shipped Separately</b> BDS Bird Shroud	



COMMERCIAL OUTDOOR

One Lithonia Way • Conyers, Georgia 30012 • Phone: 1-800-705-SERV (7378) • [www.lithonia.com](http://www.lithonia.com)  
 © 2018-2021 Acuity Brands Lighting, Inc. All rights reserved.

VCPGX LED  
 Rev. 08/31/21

## Ordering Information Cont.

### Accessories

Ordered and shipped separately.

VCPGBDS DWHXD U	Bird shroud for PM (specify finish)
VCPGBDS YK DWHXD U	Bird shroud for YK (specify finish)
VCPGUBDS DWHXD U	Bird shroud for PM with Up-Light (specify finish)
VCPGUBDS YK DWHXD U	Bird shroud for YK with Up-Light (specify finish)
VCPGSRM U	Surface mount kit, with no Up-Light
VCPGUSRM U	Surface mount kit, with Up-Light
VCPGWG U	Wire guard
SLVSQ	Quick mount pendant swivel kit, square
SLVRD	Quick mount pendant swivel kit, round
VCPG YK DWHXD U	Yoke mount kit (specify finish)
RSXWBA DWHXD U	RSX WBA wall bracket (specify finish)

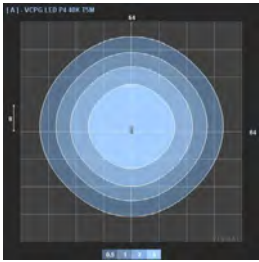
### NOTES

- 1 Not available in P7 package or with V8 option.
- 2 Only vertical height adjustment. No angle adjustment. Use PM and SLVSQ or SLVRD for mounting to angled ceiling or canopies.
- 3 Not available with 347V or 480V.
- 4 E8WC and E10WH only rated up to 35°C ambient.
- 5 E8WC & E10WH only available with P1-P4 packages.
- 6 DMG option not available with standalone or networked sensors/controls.
- 7 Power interruption delay >30 milliseconds required for operation. Refer sequence of operations on page 4 for more details.
- 8 Not available with P6 & P7. Power interruption delay >200 milliseconds required for operation. Refer sequence of operations on page 4 for more details.

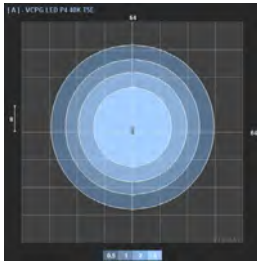
## Photometric Diagrams

To see complete photometric reports or download .ies files for this product, visit the [VCPG Ultimate LED Parking Garage Luminaire homepage](#). Tested in accordance with IESNA LM-79 and LM-80 standards

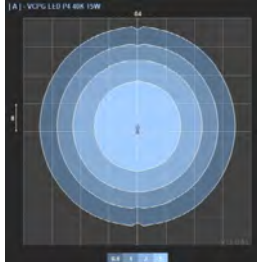
VCPG LED P4 T5M 40K



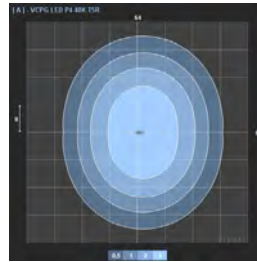
VCPG LED P4 T5E 40K



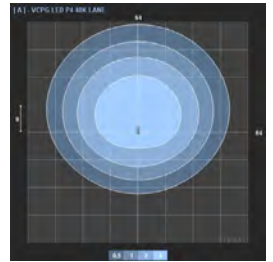
VCPG LED P4 T5W 40K



VCPG LED P4 T5R 40K



VCPG LED P4 LANE 40K



## Performance Data

Lumen values are from photometric tests performed in accordance with IESNA LM-79-08. Data is considered to be representative of the configurations shown, within the tolerances allowed by Lighting Facts. Contact factory for performance data on any configurations not shown here.

### Lumen Ambient Temperature (LAT) Multipliers

Use these factors to determine relative lumen output for average ambient temperatures from 0-40°C (32-104°F).

Ambient		Lumen Multiplier
0°C	32°F	1.03
10°C	50°F	1.02
20°C	68°F	1.01
25°C	77°F	1
30°C	86°F	0.99
40°C	104°F	0.98

### Projected LED Lumen Maintenance

Data references the extrapolated performance projections for the platforms noted in a 25°C ambient, based on 10,000 hours of LED testing (tested per IESNA LM-80-08 and projected per IESNA TM-21-11).

To calculate LLF, use the lumen maintenance factor that corresponds to the desired number of operating hours below. For other lumen maintenance values, contact factory.

Operating Hours	0	25,000	50,000	100,000
Lumen Maintenance Factor	1.0	0.97	0.94	0.89

### Electrical Load

Power Package	System Watts	Current (A)					
		120V	208V	240V	277V	347V	480V
P1	27W	0.22	0.13	0.12	0.10	0.08	0.06
P2	34W	0.28	0.16	0.14	0.13	0.10	0.08
P3	43W	0.37	0.21	0.18	0.16	0.13	0.09
P4	56W	0.48	0.28	0.24	0.21	0.16	0.12
P5	82W	0.68	0.40	0.35	0.30	0.24	0.18
P6	108W	0.91	0.52	0.45	0.39	0.32	0.23
P7	124W	1.03	0.59	0.51	0.44	0.37	0.27

## Performance Data

Lumen values are from photometric tests performed in accordance with IESNA LM-79-08. Data is considered to be representative of the configurations shown, within the tolerances allowed by Lighting Facts. Contact factory for performance data on any configurations not shown here.

### Lumen Output, V4 Option

Performance Package	Watts	Distribution Type	30K (3000K, 70 CRI)		35K (3500K, 70 CRI)		40K (4000K, 70 CRI)		50K (5000K, 70 CRI)	
			Lumens	LPW	Lumens	LPW	Lumens	LPW	Lumens	LPW
P1	27W	TSE	3,546	133	3,634	137	3,778	142	3,838	144
		TSM	3,573	134	3,662	138	3,807	143	3,867	146
		TSW	3,509	132	3,596	135	3,738	141	3,798	143
		TSR	3,421	129	3,506	132	3,645	137	3,703	139
		LANE	3,380	127	3,464	130	3,601	136	3,658	138
P2	34W	TSE	4,532	133	4,644	137	4,828	142	4,905	144
		TSM	4,567	134	4,680	138	4,865	143	4,942	146
		TSW	4,484	132	4,595	135	4,777	141	4,853	143
		TSR	4,372	129	4,481	132	4,658	137	4,732	139
		LANE	4,320	127	4,427	130	4,602	136	4,676	138
P3	43W	TSE	5,750	133	5,893	136	6,126	141	6,223	143
		TSM	5,795	134	5,938	137	6,173	142	6,271	145
		TSW	5,690	131	5,832	134	6,062	140	6,158	142
		TSR	5,548	128	5,686	131	5,910	136	6,004	138
		LANE	5,482	126	5,618	130	5,840	135	5,933	137
P4	56W	TSE	7,318	130	7,500	133	7,796	138	7,920	141
		TSM	7,375	131	7,558	134	7,856	140	7,981	142
		TSW	7,242	129	7,421	132	7,714	137	7,837	139
		TSR	7,061	125	7,236	129	7,522	134	7,641	136
		LANE	6,977	124	7,150	127	7,432	132	7,550	134
P5	82W	TSE	10,088	123	10,339	126	10,747	131	10,918	133
		TSM	10,166	124	10,418	127	10,830	132	11,002	134
		TSW	9,982	122	10,230	125	10,634	129	10,803	132
		TSR	9,733	118	9,974	121	10,368	126	10,534	128
		LANE	9,617	117	9,856	120	10,245	125	10,408	127
P6	108W	TSE	12,751	118	13,067	121	13,583	126	13,799	128
		TSM	12,849	119	13,168	122	13,688	127	13,906	129
		TSW	12,617	117	12,930	120	13,441	125	13,655	127
		TSR	12,302	114	12,607	117	13,105	122	13,313	124
		LANE	12,155	113	12,457	116	12,948	120	13,155	122

### Up-light Lumen Output

Up-light Option	Watts	Lumens
UPL1	6.5W	519
UPL2	8.5W	715

### Lumen Multiplier for 80CRI

CCT	Multiplier
30K	0.926
35K	0.945
40K	0.967
50K	0.965

### Lumen Output, V8 Option

Performance Package	Watts	Distribution Type	30K (3000K, 70 CRI)		35K (3500K, 70 CRI)		40K (4000K, 70 CRI)		50K (5000K, 70 CRI)	
			Lumens	LPW	Lumens	LPW	Lumens	LPW	Lumens	LPW
P1	26W	TSE	3,639	140	3,729	143	3,876	149	3,938	151
		TSM	3,667	141	3,758	145	3,906	150	3,968	153
		TSW	3,600	138	3,690	142	3,835	148	3,897	150
P2	33W	TSE	4,650	140	4,765	143	4,954	149	5,033	151
		TSM	4,686	141	4,802	144	4,992	150	5,071	152
		TSW	4,601	138	4,715	142	4,901	147	4,980	150
P3	42W	TSE	5,900	139	6,047	143	6,286	148	6,386	151
		TSM	5,946	140	6,093	144	6,334	149	6,435	152
		TSW	5,839	138	5,984	141	6,220	147	6,319	149
P4	55W	TSE	7,509	136	7,696	139	7,999	145	8,127	147
		TSM	7,567	137	7,755	140	8,061	146	8,189	148
		TSW	7,431	135	7,615	138	7,916	143	8,042	146
P5	81W	TSE	10,351	129	10,608	132	11,027	137	11,203	139
		TSM	10,431	130	10,690	133	11,112	138	11,289	140
		TSW	10,242	127	10,497	130	10,911	136	11,085	138
P6	106W	TSE	13,083	124	13,408	127	13,937	132	14,159	134
		TSM	13,184	125	13,511	128	14,045	133	14,268	135
		TSW	12,946	123	13,267	126	13,791	131	14,011	133
P7	124W	TSE	15,350	124	15,730	127	16,351	132	16,612	134
		TSM	15,468	125	15,851	128	16,477	133	16,740	135
		TSW	15,189	122	15,566	126	16,180	130	16,438	133



## Control/Sensor Options

### Motion/Ambient Sensor (PIR, PIRH)

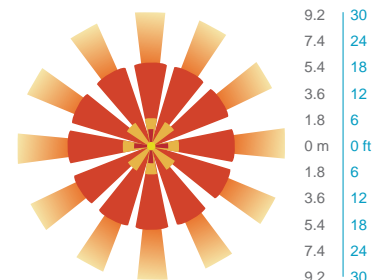
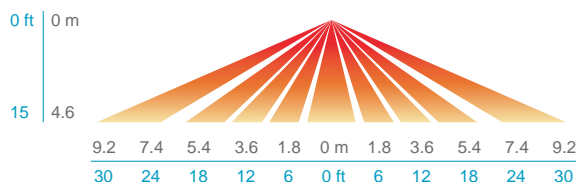
Motion/Ambient sensor (Sensor Switch MSOD, nLight AIR RMSOD) is integrated into the luminaire. The sensor provides both Motion and Daylight based dimming of the luminaire. For motion detection, the sensor utilizes 100% Digital Passive Infrared (PIR) technology that is tuned for walking size motion while preventing false tripping from the environment. The integrated photocell enables additional energy savings during daytime periods when there is sufficient daylight. Optimize sensor coverage by either selecting PIR or PIRH option. PIR option comes with a sensor lens that is optimized to provide maximum coverage for mounting heights between 8-15ft, while PIRH is optimized for 15-40ft mounting height.

### Networked Control (NLTAIR2)

nLight® AIR is a wireless lighting controls platform that allows for seamless integration of both indoor and outdoor luminaires. Five-tier security architecture, 900 MHz wireless communication and app (CLAIRITY™ Pro) based configurability combined together make nLight® AIR a secure, reliable and easy to use platform.

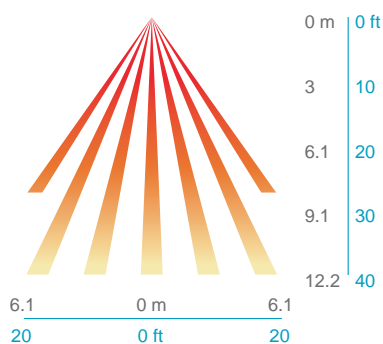
PIR

HIGH VIEW

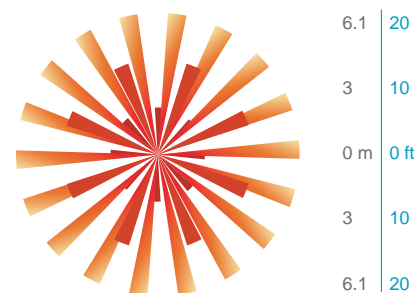


PIRH

SIDE VIEW



TOP VIEW



### Motion/Ambient Sensor Default Settings

Option	Dim Level	High Level (when triggered)	Photocell Operation	Motion Time Delay	Ramp-down Time	Ramp-up Time
PIR or PIRH	Motion - 3V (37% of full output) Photocell - 0V (turned off)	10V (100% output)	Enabled @ 5fc	5 min	5 min	Motion - 3 sec Photocell - 45 sec
PIR3FC3V or PIRH3FC3V	Motion - 3V (37% of full output) Photocell - 0V (turned off)	10V (100% output)	Enabled @ 3fc	5 min	5 min	Motion - 3 sec Photocell - 45 sec

### Sequence of Operations for UL924 Listed Controls/Sensors

(PIR3FC3V924, PIRH3FC3V924, XAD924, NLTAIR2 PIR924, NLTAIR2 PIRH924)

The UL924 listed control/sensor ("device") is designed to provide full light output for 90 minutes following power loss ("Egress Mode"), ignoring both manual and automatic dimming/occupancy/daylight control signals during this time. The sequence of operations is as follows:

- Normal condition: device can dim and turn off the luminaire as normal, in response to automatic and manual control.
- Utility power fails, and luminaire loses power.
- Backup power source activates, transfer switch moves the emergency circuit powering the luminaire onto the backup source, and luminaire regains power.
- The device detects this power interruption, if it is >30ms (for PIR3FC3V924, PIRH3FC3V924, XAD924) or >200ms (for NLTAIR2 PIR924, NLTAIR2 PIRH924).
- The device ignores all dimming commands and controls the driver to full light output for 90 minutes.
- The device resumes normal dimming controls after 90 minutes.

These UL924 listed controls/sensors are not intended for use with central emergency power systems with >30ms transfer time. The power interruption, when transferring from normal utility power to emergency backup power, is required for the controller to activate its Egress Mode and provide full light output.



## Mounting, Options & Accessories



**PM – Pendant Mount**  
(compatible with 3/4" NPT, pendant stem provided by others)

D = 19"  
H = 4.1"



**SRM – Surface Mount**

D = 19"  
H = 4.1"



**SRM – Surface Mount with Up-Light**

D = 19"  
H = 5.3"



**YK – Yoke/Trunnion Mount**

D = 19"  
H (Yoke) = 10"-18"



**ARM – Arm Mount**

L = 28"  
W = 19"  
H = 8"



**PIR & PIRH – Motion/Ambient sensor**

L = 20.4"  
W = 19"  
H = 5.45" (no up-light)  
or 6.45" (with up-light)



**NLTAIR2 PIR – nLight AIR Motion/Ambient Sensor**

L = 20.4"  
W = 19"  
H = 5.45" (no up-light)  
or 6.45" (with up-light)



**BDS – Bird shroud for pendant mount**

D = 19"  
H = 8.85"



**BDS – Bird shroud for yoke mount**

D = 19"  
H (Yoke) = 10"-18"

## FEATURES & SPECIFICATIONS

### INTENDED USE

The visually comfortable optics, energy savings, and long life of the VCPGX LED Parking Garage luminaire make it an ideal choice for new commercial installations and retrofit parking garage opportunities. It is designed to meet or exceed recommended illuminance criteria when installed as a direct replacement of most HID parking garage luminaires. Its modern dayform and aesthetics also make it appealing for indoor low-bay applications.

### CONSTRUCTION

Two-piece die-cast aluminum housing has integral heat sink fins to optimize thermal management through conductive and convective cooling. The LED driver is separated from the heat generating light engines and mounted in direct contact with the casting to promote low operating temperatures, higher lumen maintenance and long life. The housing is completely sealed against moisture and environmental contaminants (IP66) and is suitable for hose-down application.

### FINISH

Exterior painted parts are protected by a zinc-infused Super Durable TGIC thermoset powder coat finish that provides superior resistance to corrosion and weathering. A tightly controlled multi-stage process ensures a 3 mils thickness for a finish that can withstand extreme climate changes without cracking or peeling.

### OPTICS

Light guide technology provides a diffused light source, reducing glare from direct view of the LEDs. The light source is recessed into the luminaire, further reducing the high angle glare from the luminaire. A combination of precision molded micro prismatic acrylic lenses and back reflectors provide five different photometric distributions tailored specifically to parking garage applications. Up-light option comes with a dedicated light engine and custom optic designed to efficiently spread light on to the ceiling, thus reducing the cave effect.

### ELECTRICAL

Light engine consists of high-efficacy LEDs mounted to metal-core circuit boards to maximize heat dissipation and promote long life (up to L89/100,000 hours at 25°C). The electronic driver has a power factor of >90%, THD <20%, and a minimum 6.0 KV surge rating. When ordering the SPD10KV option, a separate 10kV (5kA) surge protection device is installed within the luminaire which meets a minimum Category C low operation (per ANSI/IEEE C62.41.2). Luminaire is 0-10V dimmable down to 10% or lower.

### INSTALLATION

Standard configuration accepts a rigid or free-swinging 3/4" NPT stem for pendant mounting. The surface mount option attaches to a 4x4" recessed or surface mount outlet box using a quick-mount kit (included); kit contains galvanized steel luminaire and outlet box plates and a full pad gasket. Kit has an integral mounting support that allows the luminaire to hinge down for easy electrical connections. Luminaire and plates are secured with set screws. Also, available with a yoke/trunnion mount option with 3/4" NPT provision for flexible conduit entry (conduit by others); height can be adjusted from 10-18". Supply leads are 24" in length as standard. Longer supply leads are available as additional options. Design can withstand up to a 3.0 G vibration load rating per ANSI C136.31.

### LISTINGS

CSA certified to U.S. and Canadian standards. IP66 rated for outdoor applications. PIR options are rated for wet location. Rated for -40°C minimum ambient. DesignLights Consortium® (DLC) Premium qualified product and DLC qualified product. Not all versions of this product may be DLC Premium qualified or DLC qualified. Please check the DLC Qualified Products List at [www.designlights.org/QPL](http://www.designlights.org/QPL) to confirm which versions are qualified.

### BUY AMERICAN

This product is assembled in the USA and meets the Buy America(n) government procurement requirements under FARS, DFARS and DOT. Please refer to [www.acuitybrands.com/resources/buy-american](http://www.acuitybrands.com/resources/buy-american) for additional information.

### WARRANTY

5-year limited warranty. Complete warranty terms located at: [www.acuitybrands.com/support/warranty/terms-and-conditions](http://www.acuitybrands.com/support/warranty/terms-and-conditions)

### Note:

Actual performance may differ as a result of end-user environment and application. All values are design or typical values, measured under laboratory conditions at 25 °C. Specifications subject to change without notice.



COMMERCIAL OUTDOOR

One Lithonia Way • Conyers, Georgia 30012 • Phone: 1-800-705-SERV (7378) • [www.lithonia.com](http://www.lithonia.com)  
© 2018-2021 Acuity Brands Lighting, Inc. All rights reserved.

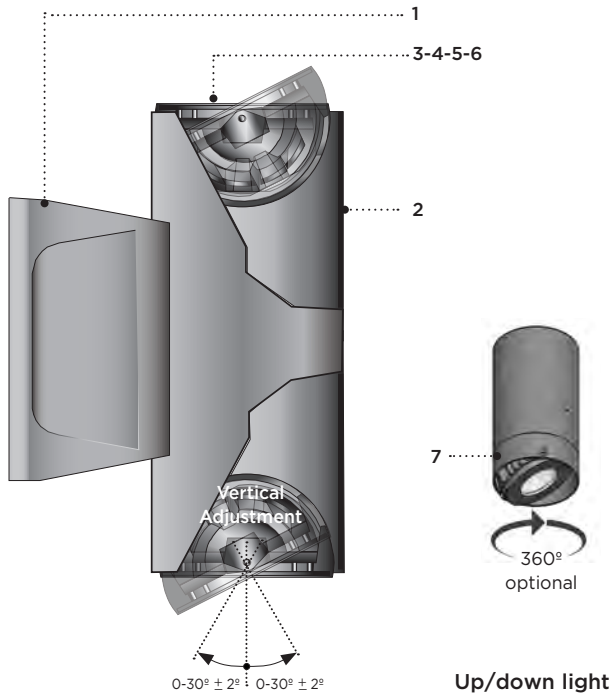
VCPGX LED  
Rev. 08/31/21



TYPE: \_\_\_\_\_ QUANTITY: \_\_\_\_\_ PROJECT: \_\_\_\_\_

CATALOG NUMBER:

FIXTURE    SUFFIX    REFLECTOR    VOLTAGE    FINISH    OPTION    OPTION    OPTION



- 1- Cast aluminum driver housing. Includes galvanized steel wall mount pressure plate.
- 2- Seamless extruded aluminum cylindrical housing.
- 3- Fully sealed cast aluminum up/down light assembly.
- 4- Sealed cast aluminum lens frame.
- 5- Clear tempered glass lens.
- 6- Faceted specular aluminum reflector.
- 7- Optional 360° adjustable rotation.

SY602



All stainless steel hardware.

**Syrios LED** light module is designed with a tilting mechanism allowing forward and back light adjustability. The  $\pm 30^\circ$  directional module allows to aim the light beam in the desired direction, without disturbing the luminaire mounting. The module can be secured using the built in locking mechanism.

Fully adjustable 360° rotation also available, see option A360.

Other adjustment factory set positions are available. Please consult factory.

**MATERIALS**

**Syrios LED** is made of corrosion resistant 356 aluminum alloy with a copper (CU) content of less than 0.1%. The main housing is made of seamless extruded aluminum, with an integrally sealed LED light module designed for optimal heat dissipation, and lighting performance.

**Syrios LED** is standard with a unique proprietary design allowing the sealed LED module to tilt within the cylindrical housing.

**Syrios LED SY602 series** is standard with 30° optics. See options section for alternate selection.

**ELECTRICAL**

**DRIVER** Standard driver is 0-10V dimming-ready (dims to 10%) with: 120-277 multi-volt compatibility (50-60Hz), operating temperature range of -40°C/-40°F to 55°C/131°F, output over voltage protection, output over current protection and output short circuit protection with auto-recovery.

**LED** Standard 4000K/80CRI. Optional 2700K, 3000K & 3500K. Optional Amber LED for turtle sensitive areas. Wavelengths: 584.5nm to 597nm.

**LIFE**

60,000hrs  $L_{70}B_{50}$  (based on IESNA TM-21 Test Method and LM-80 data). Up to 70,000hrs  $L_{70}B_{50}$  (calculated projection from LM-80 data).

**FINISH**

Five-stage preparation process including preheating of cast aluminum parts for air extraction, and an environmentally friendly alloy sealant. Polyester powder coating is applied through an electrostatic process and oven cured for long term finish.

**MOUNTING**

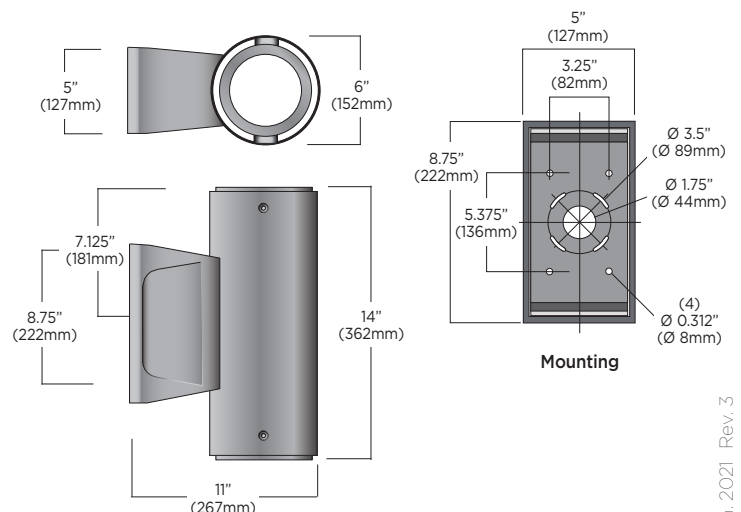
Maximum weight: 11.7 lbs (5.3 kg)

The mounting plate is designed to fit on a 4" (102mm) octagonal electrical box using 3 1/2" (89mm) C/C mounting holes.

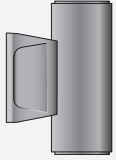
Additional mounting holes are provided as per site requirements.

**CERTIFICATION**

Tested to UL1598 and CSA 22.2 #250. cULus listed wet location. Rated IP66.



## LUMINAIRE SELECTION

<b>1 MODEL#</b>  <input type="checkbox"/> SY602	<b>2 LED LIGHT SELECTION</b> <table border="1"> <thead> <tr> <th>SUFFIX</th> <th>INPUT WATTS</th> <th>DELIVERED LUMENS</th> <th>CRI</th> <th>CCT °K</th> </tr> </thead> <tbody> <tr> <td><input type="checkbox"/> L2L15</td> <td>31W</td> <td>3198</td> <td>80</td> <td>4000</td> </tr> <tr> <td><input type="checkbox"/> L2L25</td> <td>51W</td> <td>5087</td> <td>80</td> <td>4000</td> </tr> <tr> <td><input type="checkbox"/> L2L40</td> <td>86W</td> <td>7630</td> <td>80</td> <td>4000</td> </tr> <tr> <td colspan="5"><b>AMBER LED</b></td> </tr> <tr> <td><input type="checkbox"/> L2L3K2A</td> <td>21W</td> <td>529</td> <td>AMBER</td> <td></td> </tr> </tbody> </table> <table border="1"> <thead> <tr> <th colspan="5">VERY NARROW DISTRIBUTION</th> </tr> </thead> <tbody> <tr> <td><input type="checkbox"/> L2L15NR</td> <td>56W</td> <td>3144</td> <td>80</td> <td>4000</td> </tr> </tbody> </table>	SUFFIX	INPUT WATTS	DELIVERED LUMENS	CRI	CCT °K	<input type="checkbox"/> L2L15	31W	3198	80	4000	<input type="checkbox"/> L2L25	51W	5087	80	4000	<input type="checkbox"/> L2L40	86W	7630	80	4000	<b>AMBER LED</b>					<input type="checkbox"/> L2L3K2A	21W	529	AMBER		VERY NARROW DISTRIBUTION					<input type="checkbox"/> L2L15NR	56W	3144	80	4000	<b>3 REFLECTORS*</b> <input type="checkbox"/> <b>R15</b> Narrow optics 15° <input type="checkbox"/> <b>R30</b> Flood optics 30° (standard) <input type="checkbox"/> <b>R55</b> Wide flood optics 52° <small>*All reflector options listed above must be selected independently for uplight &amp; downlight. Add U (for uplight) and D (for downlight) to suffix. (i.e. R55U-R30D is 52° uplight and 30° downlight)</small>  <input type="checkbox"/> <b>R9</b> Very narrow optics 9° Field angle 18° (42,920 candela)	<b>4 VOLTAGE</b> <input type="checkbox"/> <b>120V</b> <input type="checkbox"/> 277V  Optional <input type="checkbox"/> 347V <sup>5</sup>	<b>5 FINISH</b> <b>STANDARD COLORS*</b> <input type="checkbox"/> <b>WHT</b> Snow white <input type="checkbox"/> <b>BKT</b> Jet black <input type="checkbox"/> <b>BZT</b> Bronze <input type="checkbox"/> <b>MST</b> Matte silver <input type="checkbox"/> <b>GRT</b> Titanium gray <input type="checkbox"/> <b>DGT</b> Gun metal <input type="checkbox"/> <b>CHT</b> Champagne <input type="checkbox"/> <b>SGT</b> Steel gray <input type="checkbox"/> <b>BGT</b> English cream  <b>OPTIONAL COLORS</b> <input type="checkbox"/> <b>CS</b> Custom color <input type="checkbox"/> <b>RAL</b> RAL# color  <b>NATATORIUM SUITED COLORS</b> <input type="checkbox"/> <b>NWHT</b> White <input type="checkbox"/> <b>NBKT</b> Black  <small>*Refer to color chart</small>
SUFFIX	INPUT WATTS	DELIVERED LUMENS	CRI	CCT °K																																								
<input type="checkbox"/> L2L15	31W	3198	80	4000																																								
<input type="checkbox"/> L2L25	51W	5087	80	4000																																								
<input type="checkbox"/> L2L40	86W	7630	80	4000																																								
<b>AMBER LED</b>																																												
<input type="checkbox"/> L2L3K2A	21W	529	AMBER																																									
VERY NARROW DISTRIBUTION																																												
<input type="checkbox"/> L2L15NR	56W	3144	80	4000																																								

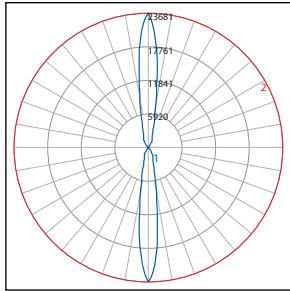
## OPTIONS

<b>ELECTRICAL</b> <input type="checkbox"/> <b>FS</b> Fuse <input type="checkbox"/> <b>PH</b> Photocell <sup>1</sup> <input type="checkbox"/> <b>347L</b> Step down transformer for 347V input <input type="checkbox"/> <b>DS</b> Dual circuit switching (independent uplight & downlight control)  <input type="checkbox"/> <b>MS</b> PIR Motion sensor (Device is located at bottom of luminaire wall box) <sup>4</sup> <input type="checkbox"/> <b>REML2-50</b> 7W remote emergency battery backup for LED, 90 min. Remote mount 50ft - 12" (305mm) square enclosure with access cover <sup>2</sup>	<b>LIGHT &amp; OPTICS</b> Alternate CCT °K LED (LCF: Lumen conversion factor) <input type="checkbox"/> <b>2K27</b> 2700K CCT 80 CRI (LCF: 0.91) <sup>6</sup> <input type="checkbox"/> <b>2K3</b> 3000K CCT 80 CRI (LCF: 0.94) <input type="checkbox"/> <b>2K35</b> 3500K CCT 80 CRI (LCF: 0.983) <sup>6</sup>  <input type="checkbox"/> <b>A360</b> 360° adjustable rotation <input type="checkbox"/> <b>RG</b> Regressed light module <sup>3</sup>	NOTE: Other CCT & higher CRI available, please consult factory.										
<b>ACCESSORIES</b> All options listed below must be selected independently for uplight & downlight. Add U (for uplight) and D (for downlight) to suffix. <input type="checkbox"/> <b>HL</b> Hexcell louver <input type="checkbox"/> <b>SL</b> Solite lens (light loss factor [LLF]: 0.9) <input type="checkbox"/> <b>LSL</b> Linear spread lens (Asymmetric lens distribution is achieved when light module is tilted)	<b>MOUNTING</b> <input type="checkbox"/> <b>SWK</b> Adaptor box for surface 3/4" conduit feed (4 sides plus back entry)	<b>FAUX WOOD COLORS<sup>7</sup></b> <table border="0"> <tr> <td><input type="checkbox"/> <b>ADG</b> American douglas</td> <td><input type="checkbox"/> <b>MPL</b> Maple</td> </tr> <tr> <td><input type="checkbox"/> <b>BRC</b> Birch</td> <td><input type="checkbox"/> <b>OFL</b> Oak</td> </tr> <tr> <td><input type="checkbox"/> <b>CHN</b> Chestnut</td> <td><input type="checkbox"/> <b>RSW</b> Rosewood</td> </tr> <tr> <td><input type="checkbox"/> <b>CRY</b> Cherry</td> <td><input type="checkbox"/> <b>TEK</b> Teak</td> </tr> <tr> <td><input type="checkbox"/> <b>KNP</b> Knotty pine</td> <td><input type="checkbox"/> <b>WLN</b> Walnut</td> </tr> </table>	<input type="checkbox"/> <b>ADG</b> American douglas	<input type="checkbox"/> <b>MPL</b> Maple	<input type="checkbox"/> <b>BRC</b> Birch	<input type="checkbox"/> <b>OFL</b> Oak	<input type="checkbox"/> <b>CHN</b> Chestnut	<input type="checkbox"/> <b>RSW</b> Rosewood	<input type="checkbox"/> <b>CRY</b> Cherry	<input type="checkbox"/> <b>TEK</b> Teak	<input type="checkbox"/> <b>KNP</b> Knotty pine	<input type="checkbox"/> <b>WLN</b> Walnut
<input type="checkbox"/> <b>ADG</b> American douglas	<input type="checkbox"/> <b>MPL</b> Maple											
<input type="checkbox"/> <b>BRC</b> Birch	<input type="checkbox"/> <b>OFL</b> Oak											
<input type="checkbox"/> <b>CHN</b> Chestnut	<input type="checkbox"/> <b>RSW</b> Rosewood											
<input type="checkbox"/> <b>CRY</b> Cherry	<input type="checkbox"/> <b>TEK</b> Teak											
<input type="checkbox"/> <b>KNP</b> Knotty pine	<input type="checkbox"/> <b>WLN</b> Walnut											

### NOTES

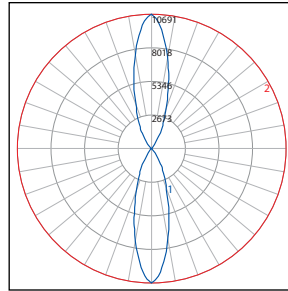
- Photocell (PH) not available with REML2-50 option.
- The remote enclosure must be interior. Battery powers downlight module, unless otherwise requested (only one module is powered by the emergency battery).
- Cylindrical housing extended by 1.1" (27.9mm) per light module for increased cut-off.
- PIR Motion sensor (MS) not available with REML2-50 option.
- 347V not compatible with Amber LED L1L3K2A.
- 2K27 and 2K35 options not available with the R9 optics.
- Faux wood finish not applied to driver housing, lens frame or accessories.

## TYPICAL PHOTOMETRY SUMMARY



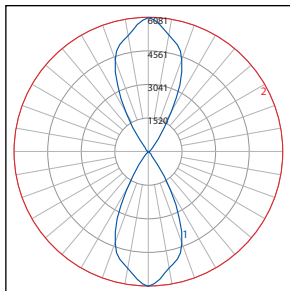
### Descriptive Information

SY602-L2L40-R15  
 Total Lms: 7435 Lumens  
 Total Input Watts: 86 W  
 Efficacy: 87 Lumens/Watt  
 BUG: B3-U5-G0  
 CCT/CRI: 4000K/80  
 Maximum Candela: 23681 @ 0 deg



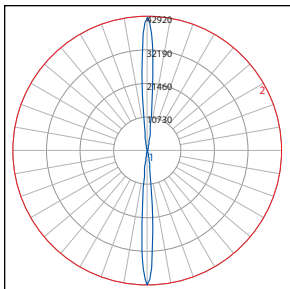
### Descriptive Information

SY602-L2L40-R30  
 Total Lms: 7630 Lumens  
 Total Input Watts: 86 W  
 Efficacy: 89 Lumens/Watt  
 BUG: B3-U5-G0  
 CCT/CRI: 4000K/80  
 Maximum Candela: 10691 @ 0 deg



### Descriptive Information

SY602-L2L40-R55  
 Total Lms: 8127 Lumens  
 Total Input Watts: 86 W  
 Efficacy: 95 Lumens/Watt  
 BUG: B3-U5-G0  
 CCT/CRI: 4000K/80  
 Maximum Candela: 6081 @ 0 deg



### Descriptive Information

SY602-L2L15NR-R9  
 Total Lms: 3144 Lumens  
 Total Input Watts: 56 W  
 Efficacy: 57 Lumens/Watt  
 BUG: B2-U5-G0  
 CCT/CRI: 4000K/80  
 Maximum Candela: 42920 @ 0 deg

Please visit our web site [www.luminis.com](http://www.luminis.com) for complete I.E.S. formatted download data.

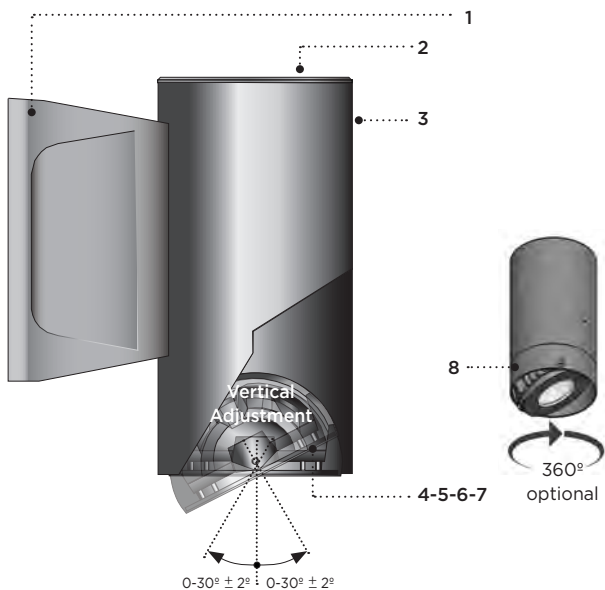
**PROPOSED SCONCE LIGHT AT SINGLE-STORY BRICK.**



**SY600 SERIES**  
**SYRIOS - LED**  
 6" WALL UP OR DOWN LIGHT

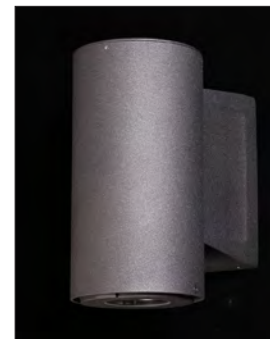
TYPE: \_\_\_\_\_ QUANTITY: \_\_\_\_\_ PROJECT: \_\_\_\_\_

CATALOG NUMBER: [ ] [ ] [ ] [ ] [ ] [ ] [ ] [ ] [ ]  
 FIXTURE SUFFIX REFLECTOR VOLTAGE FINISH OPTION OPTION OPTION



- 1- Cast aluminum driver housing. Includes galvanized steel wall mount pressure plate.
- 2- Cast aluminum ventilated top cover.
- 3- Seamless extruded aluminum cylindrical housing.
- 4- Fully sealed cast aluminum light assembly.
- 5- Sealed cast aluminum lens frame.
- 6- Clear tempered glass lens.
- 7- Faceted specular aluminum reflector.
- 8- Optional 360° adjustable rotation.

SY600



All stainless steel hardware.

**Syrios LED** light module is designed with a tilting mechanism allowing forward and back light adjustability. The  $\pm 30^\circ$  directional module allows to aim the light beam in the desired direction, without disturbing the luminaire mounting. The module can be secured using the built in locking mechanism.

Fully adjustable 360° rotation also available, see option A360.

Other adjustment factory set positions are available. Please consult factory.

**MATERIALS**

**Syrios LED** is made of corrosion resistant 356 aluminum alloy with a copper (CU) content of less than 0.1%. The main housing is made of seamless extruded aluminum, with an integrally sealed LED light module designed for optimal heat dissipation, and lighting performance.

**Syrios LED** is standard with a unique proprietary design allowing the sealed LED module to tilt within the cylindrical housing.

The top cast aluminum cover includes ventilation slots allowing air circulation and cooling of assembly.

**Syrios LED SY600 series** is standard with 30° optic. See options section for alternate selection.

**ELECTRICAL**

**DRIVER** Standard driver is 0-10V dimming-ready (dims to 10%) with: 120-277 multi-volt compatibility (50-60Hz), operating temperature range of -40°C/-40°F to 55°C/131°F, output over voltage protection, output over current protection and output short circuit protection with auto-recovery.

**LED** Standard 4000K/80CRI. Optional 2700K, 3000K & 3500K. Optional Amber LED for turtle sensitive areas. Wavelengths: 584.5nm to 597nm.

**LIFE**

60,000hrs  $L_{70}B_{50}$  (based on IESNA TM-21 Test Method and LM-80 data). Up to 70,000hrs  $L_{70}B_{50}$  (calculated projection from LM-80 data).

**FINISH**

Five-stage preparation process including preheating of cast aluminum parts for air extraction, and an environmentally friendly alloy sealant. Polyester powder coating is applied through an electrostatic process and oven cured for long term finish.

**MOUNTING**

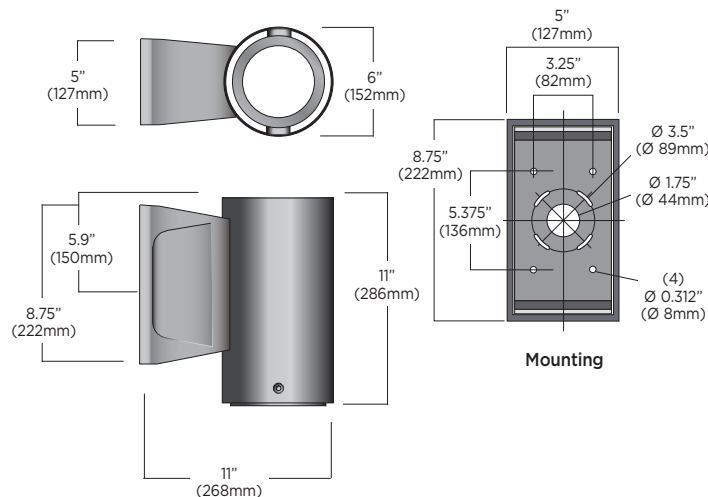
Maximum weight: 9 lbs (4.1 kg)

The mounting plate is designed to fit on a 4" (102mm) octagonal electrical box using 3 1/2" (89mm) C/C mounting holes.

Additional mounting holes are provided as per site requirements.

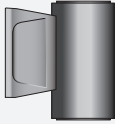
**CERTIFICATION**

Tested to UL1598 and CSA 22.2 #250. cULus listed wet location. Rated IP66.



Jan. 2021 Rev. 3

## LUMINAIRE SELECTION

<b>1 MODEL#</b>  <input type="checkbox"/> SY600	<b>2 LED LIGHT SELECTION</b> <table border="1"> <thead> <tr> <th>SUFFIX</th> <th>INPUT WATTS</th> <th>DELIVERED LUMENS</th> <th>CRI</th> <th>CCT °K</th> </tr> </thead> <tbody> <tr> <td><input type="checkbox"/> L1L15</td> <td>15W</td> <td>1599</td> <td>80</td> <td>4000</td> </tr> <tr> <td><input type="checkbox"/> L1L25</td> <td>26W</td> <td>2543</td> <td>80</td> <td>4000</td> </tr> <tr> <td><input type="checkbox"/> L1L40</td> <td>48W</td> <td>4102</td> <td>80</td> <td>4000</td> </tr> </tbody> </table> <p><b>AMBER LED IDA - Dark Sky Approved</b></p> <table border="1"> <tbody> <tr> <td><input type="checkbox"/> L1L3K2A</td> <td>11W</td> <td>263</td> <td>AMBER</td> <td></td> </tr> </tbody> </table> <table border="1"> <thead> <tr> <th colspan="5">VERY NARROW DISTRIBUTION</th> </tr> </thead> <tbody> <tr> <td><input type="checkbox"/> L1L20NR</td> <td>31W</td> <td>1690</td> <td>80</td> <td>4000</td> </tr> </tbody> </table>	SUFFIX	INPUT WATTS	DELIVERED LUMENS	CRI	CCT °K	<input type="checkbox"/> L1L15	15W	1599	80	4000	<input type="checkbox"/> L1L25	26W	2543	80	4000	<input type="checkbox"/> L1L40	48W	4102	80	4000	<input type="checkbox"/> L1L3K2A	11W	263	AMBER		VERY NARROW DISTRIBUTION					<input type="checkbox"/> L1L20NR	31W	1690	80	4000	<b>3 REFLECTORS*</b> <input type="checkbox"/> <b>R15</b> Narrow optics 15° <input type="checkbox"/> <b>R30</b> Flood optics 30° (standard) <input type="checkbox"/> <b>R55</b> Wide flood optics 52° <small>*Depending on direction fixture is installed add U (for uplight) or D (for downlight) to suffix for all reflectors listed above. (i.e. R55U is 52° uplight)</small>  <input type="checkbox"/> <b>R9</b> Very narrow optics 9° Field angle 18° (46,151 candela)	<b>4 VOLTAGE</b> <input type="checkbox"/> 120V <input type="checkbox"/> 277V Optional <input type="checkbox"/> 347V <sup>5</sup>	<b>5 FINISH</b> <b>STANDARD COLORS*</b> <input type="checkbox"/> <b>WHT</b> Snow white <input type="checkbox"/> <b>BKT</b> Jet black <input type="checkbox"/> <b>BZT</b> Bronze <input type="checkbox"/> <b>MST</b> Matte silver <input type="checkbox"/> <b>GRT</b> Titanium gray <input type="checkbox"/> <b>DGT</b> Gun metal <input type="checkbox"/> <b>CHT</b> Champagne <input type="checkbox"/> <b>SGT</b> Steel gray <input type="checkbox"/> <b>BGT</b> English cream  <b>OPTIONAL COLORS</b> <input type="checkbox"/> <b>CS</b> Custom color <input type="checkbox"/> <b>RAL</b> RAL# color  <b>NATATORIUM SUITED COLORS</b> <input type="checkbox"/> <b>NWHT</b> White <input type="checkbox"/> <b>NBKT</b> Black  <small>*Refer to color chart</small>
SUFFIX	INPUT WATTS	DELIVERED LUMENS	CRI	CCT °K																																			
<input type="checkbox"/> L1L15	15W	1599	80	4000																																			
<input type="checkbox"/> L1L25	26W	2543	80	4000																																			
<input type="checkbox"/> L1L40	48W	4102	80	4000																																			
<input type="checkbox"/> L1L3K2A	11W	263	AMBER																																				
VERY NARROW DISTRIBUTION																																							
<input type="checkbox"/> L1L20NR	31W	1690	80	4000																																			

## OPTIONS

### ELECTRICAL

- FS** Fuse
- PH** Photocell<sup>1</sup>
- 347L** Step down transformer for 347V input
- MS** PIR Motion sensor (Device is located at bottom of luminaire wall box)<sup>4</sup>
- REML2-50** 7W remote emergency battery backup for LED, 90 min. Remote mount 50ft - 12" (305mm) square enclosure with access cover<sup>2</sup>

### MOUNTING

- SWK** Adaptor box for surface 3/4" conduit feed (4 sides plus back entry)
- UP** Option required for uplight installation

### NOTES

- 1- Photocell (PH) not available with REML2-50 option.
- 2- The remote enclosure must be interior.
- 3- Cylindrical housing extended by 1" (25.4mm) for increased cut-off.)
- 4- PIR Motion sensor (MS) not available with REML2-50 option.
- 5- 347V not compatible with Amber LED L1L3K2A.
- 6- K27 and K35 options not available with the R9 optics.
- 7- Faux wood finish not applied to driver housing, lens frame or accessories.

### LIGHT & OPTICS

- Alternate CCT °K LED (LCF: Lumen conversion factor)
- K27** 2700K CCT 80 CRI (LCF: 0.91)<sup>6</sup> IDA - Dark Sky Approved
  - K3** 3000K CCT 80 CRI (LCF: 0.94)<sup>6</sup> IDA - Dark Sky Approved
  - K35** 3500K CCT 80 CRI (LCF: 0.983)

NOTE: Other CCT & higher CRI available, please consult factory.

- A360** 360° adjustable rotation
- RG** Regressed light module<sup>3</sup>

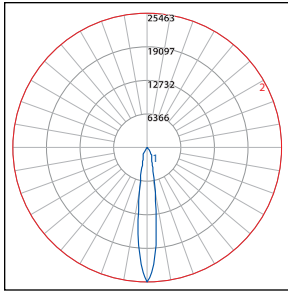
### ACCESSORIES

- HL** Hexcell louver
- SL** Solite lens (light loss factor [LLF]: 0.9)
- LSL** Linear spread lens (Asymmetric lens distribution is achieved when light module is tilted)

### FAUX WOOD COLORS<sup>7</sup>

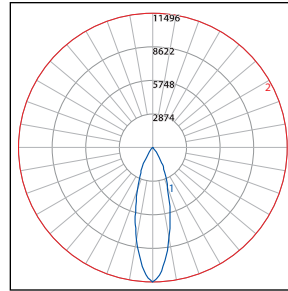
- |  |  |
|--|--|
| <input type="checkbox"/> <b>ADG</b> American douglas | <input type="checkbox"/> <b>MPL</b> Maple    |
| <input type="checkbox"/> <b>BRC</b> Birch            | <input type="checkbox"/> <b>OFL</b> Oak      |
| <input type="checkbox"/> <b>CHN</b> Chestnut         | <input type="checkbox"/> <b>RSW</b> Rosewood |
| <input type="checkbox"/> <b>CRY</b> Cherry           | <input type="checkbox"/> <b>TEK</b> Teak     |
| <input type="checkbox"/> <b>KNP</b> Knotty pine      | <input type="checkbox"/> <b>WLN</b> Walnut   |

## TYPICAL PHOTOMETRY SUMMARY



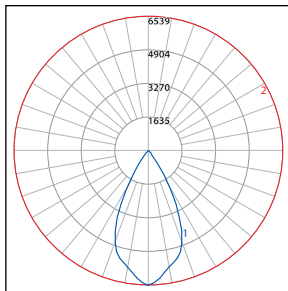
### Descriptive Information

SY600-L1L40-R15  
 Total Lms: 3998 Lumens  
 Total Input Watts: 48 W  
 Efficacy: 83 Lumens/Watt  
 BUG: B3-UO-GO  
 CCT/CRI: 4000K/80  
 Maximum Candela: 25463 @ 0 deg



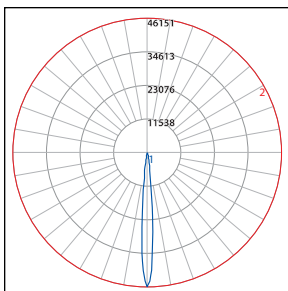
### Descriptive Information

SY600-L1L40-R30  
 Total Lms: 4102 Lumens  
 Total Input Watts: 48 W  
 Efficacy: 85 Lumens/Watt  
 BUG: B3-UO-GO  
 CCT/CRI: 4000K/80  
 Maximum Candela: 11496 @ 0 deg



### Descriptive Information

SY600-L1L40-R55  
 Total Lms: 4369 Lumens  
 Total Input Watts: 48 W  
 Efficacy: 91 Lumens/Watt  
 BUG: B3-UO-GO  
 CCT/CRI: 4000K/80  
 Maximum Candela: 6539 @ 0 deg



### Descriptive Information

SY600-L1L20NR-R9  
 Total Lms: 1690 Lumens  
 Total Input Watts: 31 W  
 Efficacy: 55 Lumens/Watt  
 BUG: B2-UO-GO  
 CCT/CRI: 4000K/80  
 Maximum Candela: 46151 @ 0 deg

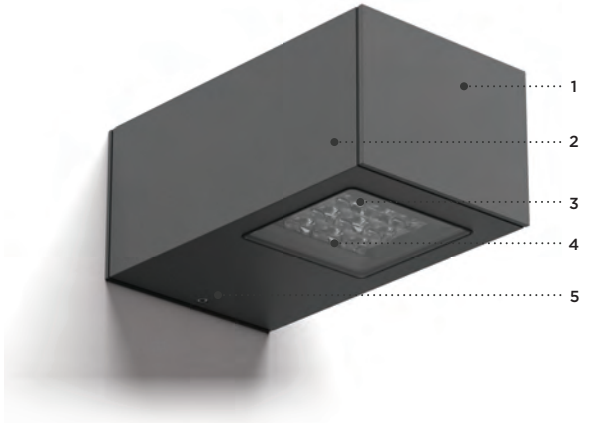
Please visit our web site [www.luminis.com](http://www.luminis.com) for complete I.E.S. formatted download data.



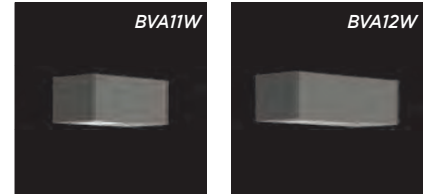
TYPE: \_\_\_\_\_ QUANTITY: \_\_\_\_\_ PROJECT: \_\_\_\_\_

CATALOG NUMBER:

MODEL LED LIGHT SELECTION CCT VOLTAGE FINISH OPTION OPTION OPTION



- 1- Front cover constructed of corrosion resistant aluminum.
- 2- 4.5" (114mm) x 6" (152mm) Extruded aluminum optical chamber.
- 3- Available in configurations of 9 LEDs or 18 LEDs
- 4- Clear tempered glass.
- 5- All stainless steel hardware.



**MATERIALS**

Bellevue wall mount is made of 6063-T6 extruded aluminum alloy. LED board is assembled on a thick extruded aluminum profile and protected by a clear tempered glass. The acrylic optics provide a wide range of IES type distribution. The driver is mounted inside the fixture for ease of maintenance.

**ELECTRICAL**

**DRIVER** Standard driver is 120-277V multi-volt compatibility (50-60Hz), 0-10V dimming-ready (dims to 10%). Optional 347/480V, operating temperatures of -40°C/-40°F to 55°C/131°F, output over voltage protection, output over current protection, output short circuit protection with auto-recovery.

**LED** Type I, II, III, IV light distribution via high performance optical lenses. Offered in 2700K, 3000K, 3500K, 4000K / 80 CRI. Optional true amber LED for turtle sensitive areas. Wavelengths: 584.5nm to 597nm.

**LIFETIME**

60,000hrs L<sub>70</sub>B<sub>50</sub> (based on LM-80 report for lumen maintenance)

**FINISH**

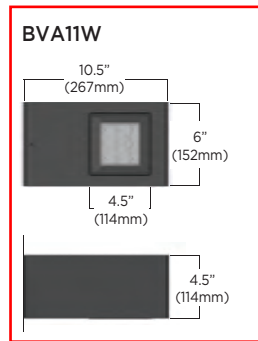
Polyester powder coating is applied through an electrostatic process, and oven cured for long term finish.

**CERTIFICATION**

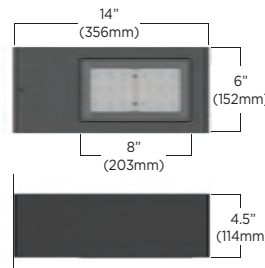
Tested to UL1598 and CSA 22.2 #250. cULus listed wet location. Photometric testing performed by an independent laboratory in accordance with IES LM-79-08 standards at 25°C. Lumen depreciation in accordance with IESNA LM80 standards. Rated IP65. Rated IK10.

**MOUNTING**

Maximum weight: 11 lbs (5.0 kg)  
Bellevue wall mount is designed for ease of access and installation. The head is secured on a mounting plate by one set screw. The mounting plate is designed to fit on a 4" (102mm) octagonal electrical box. Fixture lighting must point to the ground at all time.



**BVA12W**

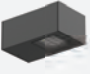


# BVA11W/BVA12W SERIES

## Bellevue - LED

### LUMINAIRE SELECTION - BVA11W/BVA12W

**1 MODEL**



BVA11W

**2 LED LIGHT SELECTION**

**WHITE LED SELECTION**

TYPE	SUFFIX	DELIVERED LUMENS*	INPUT WATTS
TYPE I	<input type="checkbox"/> L1L10-TYP1	1205	11
	<input type="checkbox"/> L1L16-TYP1	1846	19
	<input type="checkbox"/> L1L24-TYP1	2635	30
TYPE II	<input type="checkbox"/> L1L10-TYP2	1072	11
	<input type="checkbox"/> L1L16-TYP2	1643	19
	<input type="checkbox"/> L1L24-TYP2	2345	30
TYPE III	<input type="checkbox"/> L1L10-TYP3	977	11
	<input type="checkbox"/> L1L16-TYP3	1497	19
	<input type="checkbox"/> L1L24-TYP3	2137	30
TYPE IV	<input type="checkbox"/> L1L10-TYP4	904	11
	<input type="checkbox"/> L1L16-TYP4	1384	19
	<input type="checkbox"/> L1L24-TYP4	1976	30

\*4000K / 80CRI

**AMBER LED SELECTION - TURTLE FRIENDLY**

TYPE	SUFFIX	DELIVERED LUMENS	INPUT WATTS
TYPE I	<input type="checkbox"/> L1LK2A-TYP1	349	8
TYPE II	<input type="checkbox"/> L1LK2A-TYP2	311	8
TYPE III	<input type="checkbox"/> L1LK2A-TYP3	283	8
TYPE IV	<input type="checkbox"/> L1LK2A-TYP4	262	8

**3 CCT %K LED**

TEMPERATURE\*

- K27 2700K
- K30 3000K
- K35 3500K
- K40 4000K

\*80CRI

**4 VOLTAGE <sup>1</sup>**

STANDARD

- 120V
- 208V
- 240V
- 277V

OPTIONAL

- 347V
- 480V

**5 FINISH**

STANDARD COLORS

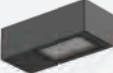
- WHT Snow white
- BKT Jet black
- BZT Bronze
- MST Matte silver
- GRT Titanium gray
- DGT Gun metal
- CHT Champagne
- SGT Steel gray
- BGT English cream

OPTIONAL COLORS

- CS Custom color
- RAL RAL# color

\*Refer to color chart

**1 MODEL**



BVA12W

**2 LED LIGHT SELECTION**

**WHITE LED SELECTION**

TYPE	SUFFIX	DELIVERED LUMENS*	INPUT WATTS
TYPE I	<input type="checkbox"/> L2L26-TYP1	2957	29
	<input type="checkbox"/> L2L34-TYP1	3692	38
	<input type="checkbox"/> L2L40-TYP1	4248	46
TYPE II	<input type="checkbox"/> L2L26-TYP2	2632	29
	<input type="checkbox"/> L2L34-TYP2	3285	38
	<input type="checkbox"/> L2L40-TYP2	3780	46
TYPE III	<input type="checkbox"/> L2L26-TYP3	2398	29
	<input type="checkbox"/> L2L34-TYP3	2994	38
	<input type="checkbox"/> L2L40-TYP3	3445	46
TYPE IV	<input type="checkbox"/> L2L26-TYP4	2218	29
	<input type="checkbox"/> L2L34-TYP4	2769	38
	<input type="checkbox"/> L2L40-TYP4	3186	46

\*4000K / 80CRI

**AMBER LED SELECTION - TURTLE FRIENDLY**

TYPE	SUFFIX	DELIVERED LUMENS	INPUT WATTS
TYPE I	<input type="checkbox"/> L2LK2A-TYP1	698	16
TYPE II	<input type="checkbox"/> L2LK2A-TYP2	621	16
TYPE III	<input type="checkbox"/> L2LK2A-TYP3	566	16
TYPE IV	<input type="checkbox"/> L2LK2A-TYP4	524	16

**3 CCT %K LED**

TEMPERATURE\*

- K27 2700K
- K30 3000K
- K35 3500K
- K40 4000K

\*80CRI

**4 VOLTAGE <sup>1</sup>**

STANDARD

- 120V
- 208V
- 240V
- 277V

OPTIONAL

- 347V
- 480V

**5 FINISH**

STANDARD COLORS

- WHT Snow white
- BKT Jet black
- BZT Bronze
- MST Matte silver
- GRT Titanium gray
- DGT Gun metal
- CHT Champagne
- SGT Steel gray
- BGT English cream

OPTIONAL COLORS

- CS Custom color
- RAL RAL# color

\*Refer to color chart



# BVA11W/BVA12W SERIES

## Bellevue - LED

### OPTIONS

- PHOTOCELL**
- PH Thermal button photocell mounted on top casted housing (as shown on image). Instant turn-on, standard 5-10 second turn-off time delay.
- FUSE SAFETY**
- FS Fuse
- SURGE PROTECTOR**
- SP 10kV surge protector

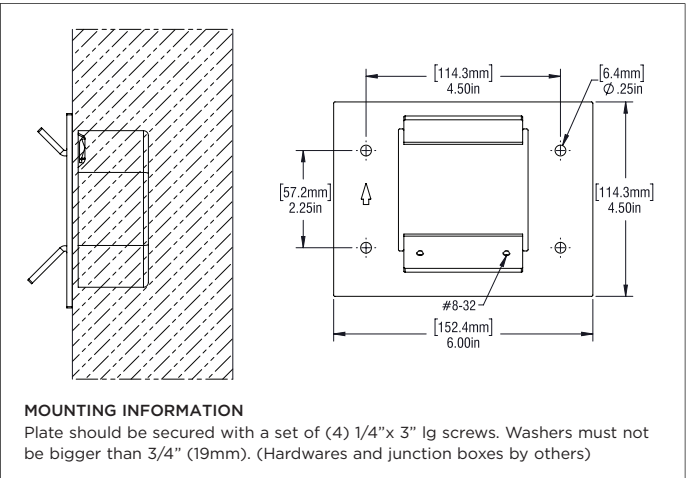
- MOUNTING BOX**
- SWK Surface wall mounting option for Ø4" weatherproof surface junction box (3/4" Conduit trade size) (weatherproof junction box, conduit and adaptor by others)  
Supplied with 5x18AWG/36" lg. wiring (longer wires to be specified).

- ENVIRONMENT**
- MG Marine grade paint<sup>2</sup>
  - NT Natatorium (only available in WHT and BKT)

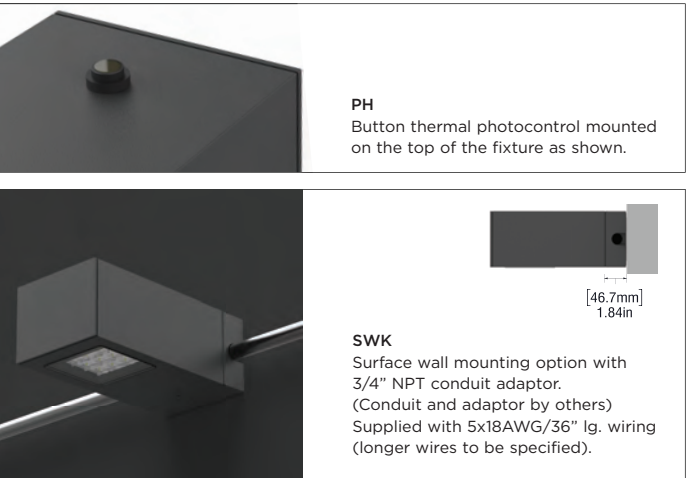
**NOTES**

- 1- If no voltage is specified, luminaires are factory prewired by default for 120V. For other voltages, please specify with catalog number, or consult factory.
- 2- Marine grade paint for harsh, coastal environment and exposure to salt water. Longer lead time may apply please contact factory for info.

### MOUNTING INFORMATION



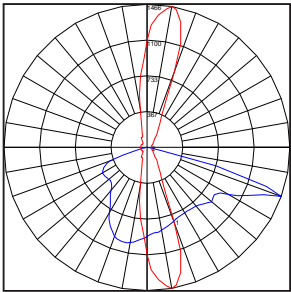
### OPTIONS DETAILS



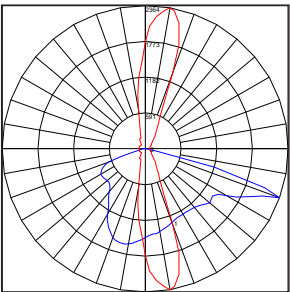
# BVA11W/BVA12W SERIES

## Bellevue - LED

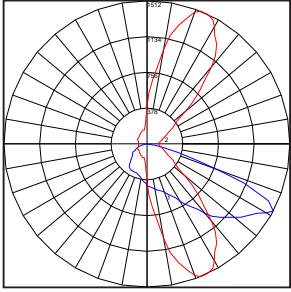
### TYPICAL PHOTOMETRY SUMMARY



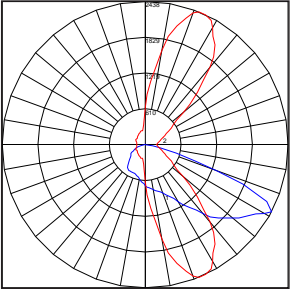
**BVA11W-L1L24-TYP1**  
 Delivered lumens : 2635 lumens  
 Power consumption 30.5W  
 Efficacy : 87 Lumens/Watt  
 Maximum Candela : 1466 @ 80°H/70°V  
 BUG : B1-U0-G1



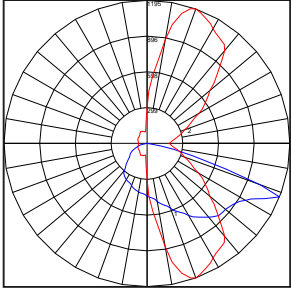
**BVA12W-L2L40-TYP1**  
 Delivered lumens : 4274 lumens  
 Power consumption 46.3W  
 Efficacy : 92 Lumens/Watt  
 Maximum Candela : 2364 @ 80°H/70°V  
 BUG : B2-U0-G1



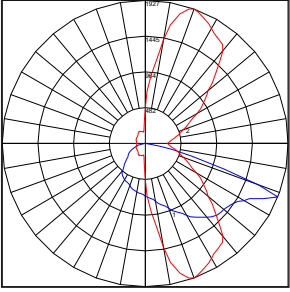
**BVA11W-L1L24-TYP2**  
 Delivered lumens : 2345 lumens  
 Power consumption 30.5W  
 Efficacy : 77 Lumens/Watt  
 Maximum Candela : 1195 @ 68°H/62°V  
 BUG : B1-U0-G0



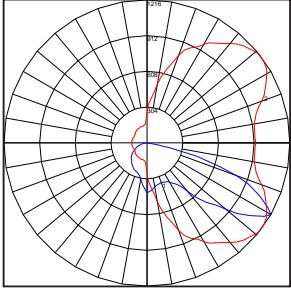
**BVA12W-L2L40-TYP2**  
 Delivered lumens : 3780 lumens  
 Power consumption 46.3W  
 Efficacy : 81 Lumens/Watt  
 Maximum Candela : 2438 @ 68°H/62°V  
 BUG : B1-U0-G1



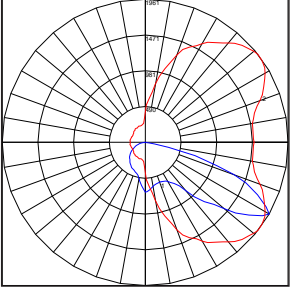
**BVA11W-L1L24-TYP3**  
 Delivered lumens : 2145 lumens  
 Power consumption 30.5W  
 Efficacy : 70 Lumens/Watt  
 Maximum Candela : 1195 @ 70°H/68°V  
 BUG : B1-U0-G0



**BVA12W-L2L40-TYP3**  
 Delivered lumens : 3445 lumens  
 Power consumption 46.3W  
 Efficacy : 75 Lumens/Watt  
 Maximum Candela : 1937 @ 70°H/68°V  
 BUG : B1-U0-G1



**BVA11W-L1L24-TYP4**  
 Delivered lumens : 1976 lumens  
 Power consumption 30.5W  
 Efficacy : 65 Lumens/Watt  
 Maximum Candela : 1216 @ 38°H/60°V  
 BUG : B1-U0-G1



**BVA12W-L2L40-TYP4**  
 Delivered lumens : 3186 lumens  
 Power consumption 46.3W  
 Efficacy : 69 Lumens/Watt  
 Maximum Candela : 1961 @ 38°H/60°V  
 BUG : B1-U0-G1

LUMEN CONVERSION FACTOR (LCF)

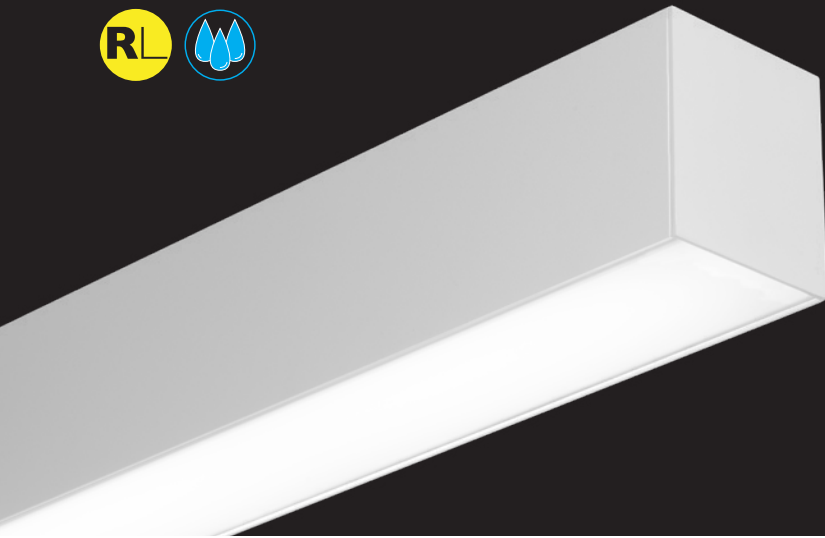
CCT	LCF	CRI
2700K	0.91	80
3000K	0.94	80
3500K	0.98	80
4000K	1.00	80

All Photometry shown use the Standard 80CRI 4000K LEDs.  
 Please visit our web site [www.luminis.com](http://www.luminis.com) for complete I.E.S. formatted download data



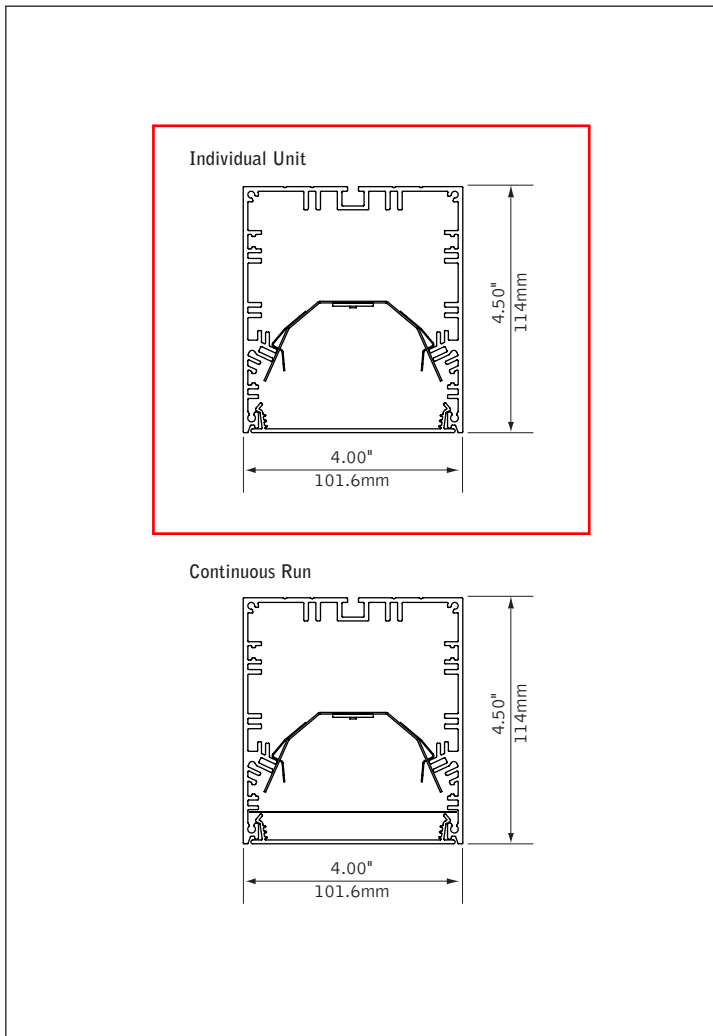
# Seem<sup>®</sup> 4

LED - SURFACE MOUNT | WET LOCATION



recessed companion

## DIMENSIONAL DATA



## FEATURES

Narrow extruded aluminum 4" linear direct LED.

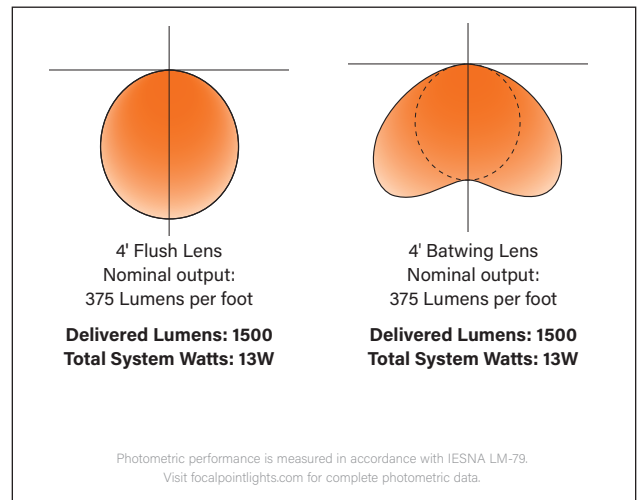
Individual units and continuous runs in 1' increments.

Frosted acrylic lens provides uninterrupted illumination, without pixels or shadows.

LED position and lens material optimized to provide the perfect blend of high performance and visual comfort.

Choice of output levels to meet a wide variety of application needs.

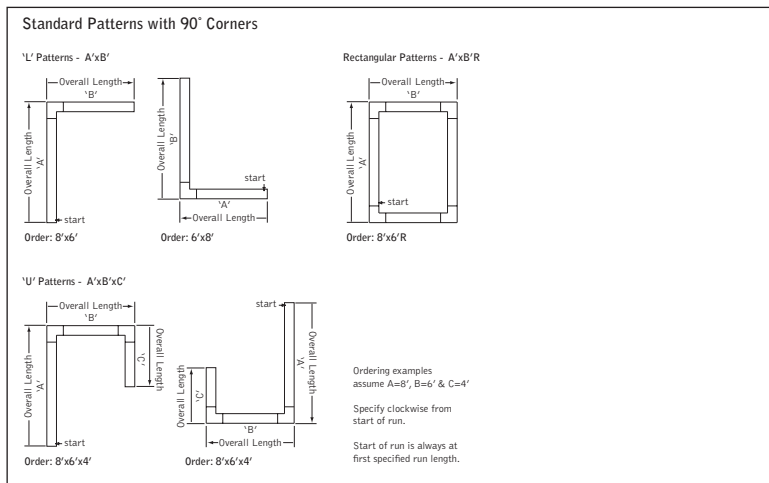
## PERFORMANCE



fixture:

project:

**DETAILS**



**SPECIFICATIONS**

**LED System**

Proprietary linear LED module incorporates premium LEDs on a robust platform to achieve excellent thermal management. LEDs are placed to promote a uniform appearance. Available in 3000K, 3500K or 4000K with CRI>80, 3 SDCM. LED modules and drivers are replaceable from below.

**Construction**

One piece extruded aluminum housing. Die cast aluminum end caps. 2' unit weight: 10 lbs., 3' unit weight: 14 lbs., 4' unit weight: 18 lbs., 5' unit weight: 22 lbs.

**Optic**

Reflectors fabricated of 22 Ga. steel finished in High Reflectance White powder coat. Extruded acrylic lens .085" thick with satin finish, up to 8' continuous.

**Electrical**

Luminaires are pre-wired with factory installed branch circuit wiring and over-molded quick connects. Standard 120-277V constant current driver includes 0-10V analog dimming. Dimming range 100% to 10%. Power factor > .9.

**Emergency**

Output - 10 watts for 90 minutes. Maximum mounting height: 19.2ft.

**Labels**

UL and cUL Listed. Suitable for Dry, Damp or Wet Locations, indoor use only. Specify Outdoor rated (OD) for outdoor covered ceiling applications.

**Finish**

Polyester powder coat applied over a multi-stage pre-treatment. Canopy and cord white as standard.

**Lumen Maintenance**

Reported: L70 > 61,000 hours      Calculated: L70 at > 480,000 hours  
 L90 > 61,000 hours                      L90 at > 128,000 hours  
 (Derived from EPA TM-21 calculator. Based on typical conditions, consult factory for additional data.)

**Reliability**

At Focal Point, our products are designed to stand the test of time. Each luminaire is engineered using superior components, manufactured with the utmost care and rigorously tested. Contact us for reliability data.

**Warranty**

LED System rated for operation in ambient environments up to 25°C. 5-year limited warranty. Fixture with Outdoor rated (OD) option must be installed in a covered ceiling and is warranted for operation in ambient environments between -20°C to +40°C.

**4' PERFORMANCE CHART**

Lumens Output	Delivered Lumens	Tested System Watts	LPW	
			BW	FL
275	1100	10	104	100
375	1500	13	113	108
625	2500	22	112	107
875	3500	32	109	105
1000	4000	37	109	104
1125	4500	44	108	104
1250	5000	49	107	102

Based on 3500K, 80 CRI, 4' lengths. Lumen multiplier: Wet Location = 0.92. Lumen output may vary +/- 5%. Actual wattage may vary +/- 5%.

**ORDERING**

<b>Luminaire Series</b>	<b>FSM4LWLS</b>
Seem 4 LED Wet Location	FSM4LWLS
<b>Shielding</b>	
Batwing Lens	BW
Flush Satin Lens	FL
<b>Lumen Output</b>	
275 Lumens per foot (LD1 & L11 only)	275LF
375 Lumens per foot (LD1 & L11 only)	375LF
625 Lumens per foot (3' minimum with LH1)	625LF
875 Lumens per foot	875LF
1000 Lumens per foot	1000LF
1125 Lumens per foot	1125LF
1250 Lumens per foot	1250LF
<b>Color Temperature</b>	
<del>3000K, 80+ CRI</del> 30K	
3500K, 80+ CRI	35K
4000K, 80+ CRI	40K
<b>Circuits &amp; Zones</b>	
1 Circuit, non-emergency	1C
Consult Ordering Guide on page 3 for multiple circuiting and zoning options	_C_Z_DL
<b>Voltage</b>	<b>UNV</b>
120/277 UNV Volt	UNV
<b>Control System &amp; Dimming Level</b>	
0-10V - 10% Dimming	LD1
0-10V - 1% Dimming	L11
Lutron Hi-Lume EcoSystem (LDE1) - 1% Dimming (3' minimum length)	LH1
<b>Mounting</b>	<b>SM</b>
Surface Mount	SM
<b>Factory Options</b>	
(See Ordering Guide on page 3 for ordering details for DC, EC, EM & ECD.)	
Daylight Circuit	_DC
Emergency Circuit	_EC
Emergency Battery Pack†	_EM
Emergency Control Device†	_ECD
†(4' minimum. 120/277 Volt only. EM or ECD not available at corners.)	
<b>Outdoor Rated</b>	<b>OD</b>
(LD1 only. Not available with EM.)	
<b>CUSTOM BLACK FINISH</b>	
<b>Luminaire Length</b>	
Specify luminaire/row length in 1' increments (2' minimum length.)	X'
<b>Pattern Options</b>	
(3' minimum length)	
'L' pattern	A' x B'
'U' pattern	A' x B' x C'
Rectangular pattern	A' x B'R



# Ordering Guide

## Linear Circuitry, Zones & Factory Options



### HOW TO USE THIS GUIDE

Fill out the worksheet on the following page to specify your requirements for circuitry, zones, and factory options.

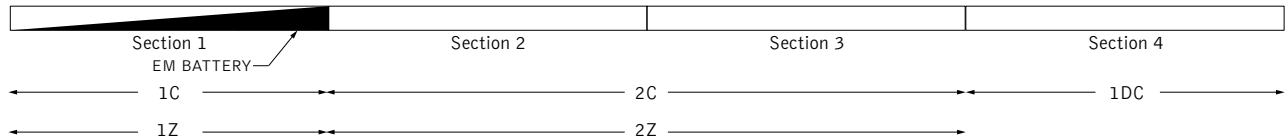
Refer to the run chart for standard run configurations, consult factory for custom configurations.

Complete the Totals / Ordering Codes at the bottom of the worksheet and add to your ordering logic on the cut sheet.

Submit the worksheet along with your order.

TOTAL RUN LENGTH: <u>32ft</u>		JOB NAME: _____			FIXTURE TYPE: _____			
HOUSING SECTION	SECTION LENGTH	SHARED ELECTRICAL FEED, NORMAL POWER			FACTORY OPTIONS			
		SWITCHING CIRCUIT	DIMMING ZONE	DAYLIGHT ZONE	SEPARATE ELECTRICAL FEEDS			EM
					DAYLIGHT CIRCUIT	EMERGENCY CIRCUIT	ECD	
1	8	1C	1Z					1EM
2	8	2C	2Z					
3	8	2C	2Z					
4	8				1DC			
<b>Totals / Ordering Codes</b>		<b>2C</b>	<b>2Z</b>		<b>1DC</b>			<b>1EM</b>

ORDERING: FSM4L-FL-625LF-35K- **2C2Z** -UNV-LD1-G2- **1DC-1EM** -WH-32ft



KEY	
<b>C = Switching Circuit</b> Switched Hot / Shared Neutral	<b>DC = Daylight Circuit</b> Switched Hot / Separate Neutral
<b>Z = Dimming Zone</b> Dimming Control Wires	<b>EC = Emergency Circuit</b> Switched Hot / Separate Neutral
<b>DL = Daylight Zone</b> Daylight Dimming Control Wires	<b>EM = Emergency Battery</b> Unswitched Hot / Shared Neutral
	<b>ECD = Emergency Control Device</b> Unswitched Hot / Separate Neutral

### DEFAULTS

- Zones and Factory Options illuminate entire sections from 4' to 8' in length.
- One shared or isolated circuit and zone required per housing section.
- Limit of one EM or ECD per housing section.
- Additional electrical feed required for applications greater than three shared circuits and zones.
- Each DC, EC and ECD require an additional electrical feed.
- ECD not available in the same housing section as EC.
- Longer lead times and additional pricing may apply for custom run configurations.

### CUSTOM LENGTHS

- If partial illumination of emergency or daylight section is required, indicate in ordering guide and add "partial illumination" in Order Notes. Drawing required.
- Engineering validation required, longer lead times may apply.

# Ordering Guide Worksheet

Linear Circuitry, Zones & Factory Options



FOCAL POINT®

TOTAL RUN LENGTH: _____		JOB NAME: _____			FIXTURE TYPE: _____			
HOUSING SECTION	SECTION LENGTH	SHARED ELECTRICAL FEED, NORMAL POWER			FACTORY OPTIONS			EM
		SWITCHING CIRCUIT	DIMMING ZONE	DAYLIGHT ZONE	SEPARATE ELECTRICAL FEEDS			
DAYLIGHT CIRCUIT	EMERGENCY CIRCUIT				ECD			
1								
2								
3								
4								
5								
6								
7								
8								
9								
10								
11								
12								
13								
14								
15								
16								
17								
18								
19								
20								
<b>Totals / Ordering Codes</b>		<b>_C</b>	<b>_Z</b>	<b>_DL</b>	<b>_DC</b>	<b>_EC</b>	<b>_ECD</b>	<b>_EM</b>

WORKSHEET

Combine to create Circuits & Zones ordering code

Enter as individual Factory Options

## RUN CHART

Run length (ft)	Housing Configuration Section Lengths	Run length (ft)	Housing Configuration Section Lengths	Run length (ft)	Housing Configuration Section Lengths	Run length (ft)	Housing Configuration Section Lengths
9	5 + 4	21	8 + 8 + 5	33	8 + 8 + 8 + 5 + 4	45	8 + 8 + 8 + 8 + 8 + 5
10	6 + 4	22	8 + 8 + 6	34	8 + 8 + 8 + 6 + 4	46	8 + 8 + 8 + 8 + 8 + 6
11	7 + 4	23	8 + 8 + 7	35	8 + 8 + 8 + 7 + 4	47	8 + 8 + 8 + 8 + 8 + 7
12	8 + 4	24	8 + 8 + 8	36	8 + 8 + 8 + 8 + 4	48	8 + 8 + 8 + 8 + 8 + 8
13	8 + 5	25	8 + 8 + 5 + 4	37	8 + 8 + 8 + 8 + 5		
14	8 + 6	26	8 + 8 + 6 + 4	38	8 + 8 + 8 + 8 + 6		
15	8 + 7	27	8 + 8 + 7 + 4	39	8 + 8 + 8 + 8 + 7		
16	8 + 8	28	8 + 8 + 8 + 4	40	8 + 8 + 8 + 8 + 8		
17	8 + 5 + 4	29	8 + 8 + 8 + 5	41	8 + 8 + 8 + 8 + 5 + 4		
18	8 + 6 + 4	30	8 + 8 + 8 + 6	42	8 + 8 + 8 + 8 + 6 + 4		
19	8 + 7 + 4	31	8 + 8 + 8 + 7	43	8 + 8 + 8 + 8 + 7 + 4		
20	8 + 8 + 4	32	8 + 8 + 8 + 8	44	8 + 8 + 8 + 8 + 8 + 4		

Standard run configurations, consult factory for custom configurations.

# PROPOSED UNDERSIDE RAILING LIGHTING

## LineLED HE 48 Wet Tube

IP65 & IP68 rated Linear LED strip - 24V



The High Efficacy (LLHE48) Wet Tube series is a small form factor high performance constant voltage LED strip. Designed to deliver best in class efficacy while operating at low temperature, LLHE48 Wet Tube delivers constant light output, outstanding color consistency and dimming performance without the need of an additional heat sink. Available in 3 different outputs with a tight LED pitch of 0.25", LLHE48 Wet Tube offers a clean dot free illumination in most Luminii profiles when paired with our frosted lenses.

To maintain IP65, IP67, and IP68 rating, LLHE48 Wet Tube is factory sealed and bonded. Order in exact lengths required for install, LineLED Wet Tube is not field cuttable. IP rating of strip is equal to the lowest IP rating of section start and end options.

Applications: outdoor / wet location, above cabinet, cove lighting, counter accent, architectural accents, under banisters, decks, gazebos, barbeque stations and wet bars.

### Mounting

LED strip is equipped with 3M™ VHB™ adhesive transfer tape.

### Approvals

IP65, IP67, and IP68 rated

### Operating Environment Temperature

-30°C (-22°F) to 50°C (122°F)

### Operating voltage

24 VDC

### Lumen Maintenance:

Calculated L90 at 173,000 hours for High Output

### Warranty

3 years



## Technical information

MODEL	LO	SO	MO
LEDS/ft	48	48	48
Light output 3000K	231 lum/ft	330 lum/ft	441 lum/ft
Average power consumption (for 4' section)	1.9 W/ft	2.8 W/ft	3.5 W/ft
Ordering increment	1.97	1.97	1.97
Efficacy lum/watt	122 lm/W	118 lm/W	126 lm/W
Maximum run length (in series)	48 ft	42 ft	33ft

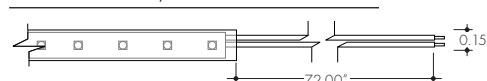
Dimensions 0.53"W x 0.24" H

Color Temperature	Multiplier (referenced from 3000K)	CRI	R <sub>f</sub>	R <sub>g</sub>	R <sub>9</sub>
2700K	0.94	92	90	99	58
3000K	1.00	92	89	99	57
3500K	1.02	92	89	99	60
4000K	1.02	92	86	94	71

### SECTION START/END OPTIONS

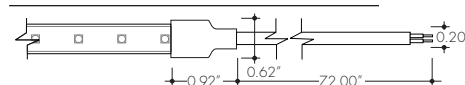
#### SL65

72" Soldered Leads, IP65 rated



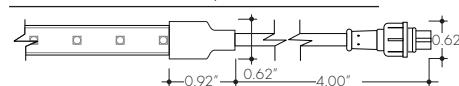
#### SL68

72" Soldered Leads, IP68 rated



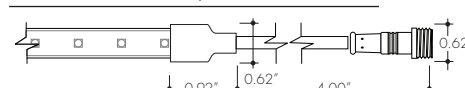
#### F

Female Quick Connect End, IP67 rated



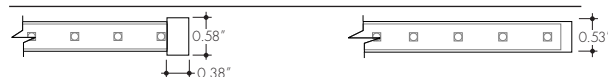
#### M

Male Quick Connect End, IP67 rated



#### NC

No Connector



IP68 rated when used with SL68 selection

IP65 rated when used with SL65 selection

IP67 rated when used with M or F selection

## Ordering code

MODEL	ENCLOSURE	OUTPUT <sup>1</sup>	CCT	SECTION START	SECTION END <sup>2</sup>	LENGTH
LLHE48WET	T - Tube	LO - Low SO - Standard MO - Medium	27K - 2700K 30K - 3000K 35K - 3500K 40K - 4000K	SL65 - IP65 Soldered lead wires (72") SL68 - IP68 Soldered lead wires (72") F - IP67 Female Quick Connect M - IP67 Male Quick Connect NC - No Connector	SL65 - IP65 Soldered lead wires (72") SL68 - IP68 Soldered lead wires (72") F - IP67 Female Quick Connect M - IP67 Male Quick Connect NC - No Connector	2' increments

1 - All outputs and CCTs combination be used to comply with Title 24 JAB.

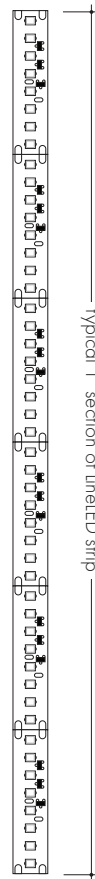
2 - IP rating of strip is equal to the lowest IP rating of section and start end options.

Power consumption per linear foot - loads tested with PSD series

Accessories

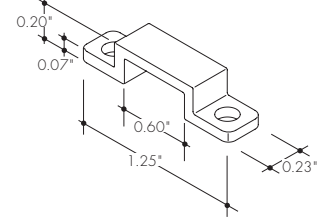
LLHE48WET

Length of Strip (LF)	LO		SO		MO	
	W/ft	Total wattage	W/ft	Total wattage	W/ft	Total wattage
1	1.7	1.7	2.5	2.5	3.5	3.5
2	1.9	3.7	2.7	5.4	3.5	7.0
3	2.0	5.7	2.8	8.2	3.5	10.2
4	1.8	7.1	2.8	11.2	3.5	13.9
5	1.8	9.0	3.0	14.6	3.6	17.6
6	1.9	11.3	2.9	17.9	3.5	21.4
7	1.8	13.1	2.9	20.8	3.5	25.1
8	1.8	14.7	2.9	23.3	3.6	28.5
9	1.8	16.4	2.9	25.9	3.5	31.9
10	1.8	18.1	2.9	28.6	3.5	35.5
11	1.7	19.1	2.8	31.2	3.5	38.9
12	1.7	20.4	2.9	34.4	3.5	42.3
13	1.7	22.1	2.8	36.8	3.5	45.7
14	1.6	22.8	2.8	39.3	3.5	48.8
15	1.6	23.5	2.8	41.9	3.5	52.1
16	1.6	25.6	2.8	45.3	3.5	56.5
17	1.7	28.5	2.8	48.1	3.5	59.4
18	1.7	30.4	2.8	51.0	3.5	62.8
19	1.8	33.6	2.8	53.3	3.5	65.8
20	1.8	35.8	2.8	56.0	3.5	69.0
21	1.8	37.7	2.8	59.4	3.4	71.4
22	1.8	39.5	2.8	61.3	3.3	73.5
23	1.8	41.4	2.8	64.4	3.3	75.4
24	1.8	43.1	2.8	66.0	3.2	77.2
25	1.9	46.2	2.7	68.1	3.2	78.8
26	1.9	48.2	2.7	70.7	3.1	79.8
27	1.9	50.4	2.7	72.0	3.0	81.4
28	1.9	52.2	2.6	73.6	3.0	82.9
29	1.9	53.9	2.6	74.7	2.9	84.2
30	1.9	57.7	2.5	76.1	2.9	86.1
31	1.9	59.6	2.5	77.0	2.8	87.6
32	1.9	61.4	2.4	77.7	2.8	89.2
33	1.9	63.3	2.4	78.9	2.7	90.7
34	1.9	65.0	2.3	78.0		
35	1.9	65.4	2.2	78.1		
36	1.9	67.1	2.2	79.5		
37	1.9	69.3	2.2	80.4		
38	1.9	71.1	2.1	80.9		
39	1.9	73.0	2.1	81.0		
40	1.9	74.7	2.0	81.2		
41	1.9	76.0	2.0	82.6		
42	1.8	77.3	2.0	83.0		
43	1.8	78.6				
44	1.8	79.9				
45	1.8	81.1				
46	1.8	81.8				
47	1.8	82.5				
48	1.7	83.1				



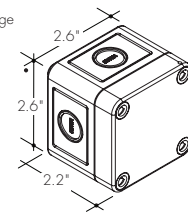
Mounting clip:  
recommended at every 12" when  
LineLED strip is facing down.

Part # CL-2



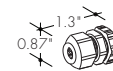
Splice Box:  
Wet rated, low voltage  
splice box, gray

Part # LVSP-WET



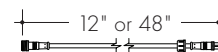
Connector:  
Low voltage splice box wet cable  
management gray

Part # LVSP-WET-CM



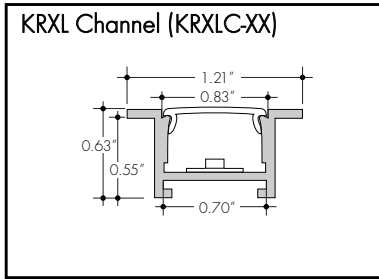
Male/Female Joiner:  
linking and extension cable in 12" or 48"

Part # IP68-12  
IP68-48

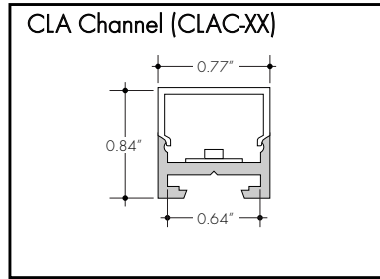


Lens options / light transmission percentage per lens

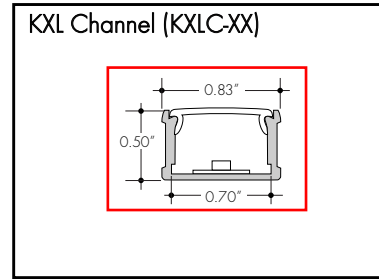
- C** Clear
- HF** Half (50%) Frosted
- G** Graze
- SI** Satin Ice
- S** Square Frosted
- Q** Rounded Square Frosted
- F** Frosted
- M** Medium beam frosted
- R** Raised
- C36** Clear 36° beam angle
- C10** Clear 10° beam angle



- C** 74%
- F** 46%
- HF** 61%



- S** 62%
- Q** 63%



- C** 74%
- F** 46%
- HF** 61%

\*Not compatible with IP68 connectors

**Installation**

All mounting channels are field cuttable using miter saw with circular blade suitable for cutting aluminum.

**Ordering**

Extrusions are sold separately. View respective specsheets for details on ordering extrusions and their accessories (endcaps, mounting brackets, etc).

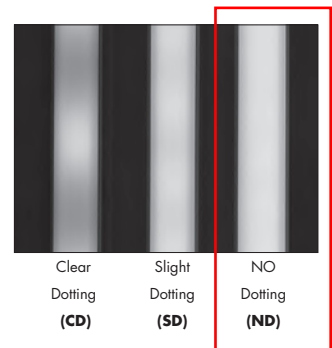
**Discontinued Extrusion Reference Link**

<https://www.luminii.com/media/4351/extrusion-update-02.pdf>

**LED Dotting per extrusion**

using the frosted lens option

extrusion	LED Model
<b>KXLC, KRXLC</b>	ND
<b>KLC, KRLC</b>	ND
<b>CLAC</b>	ND

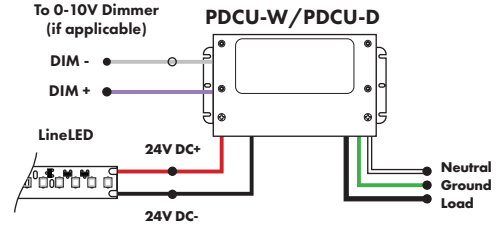


**Power Supplies**

See Power Supply instructions and spec sheet for wiring information. For a complete list of compatible dimmers, see Compatible Dimming Chart on the Resources page.

**Universal Power Supply 1% 120VAC - 277VAC**

MODEL	POWER	OUTPUT
PDCU-D - IP20 Dry Series	30 - 30 W 60 - 60 W 96 - 96 W 3X96 - 3X96 W	24 - 24 VDC
PDCU-W - IP66 Wet Series	96 - 96 W 3X96 - 3X96 W	

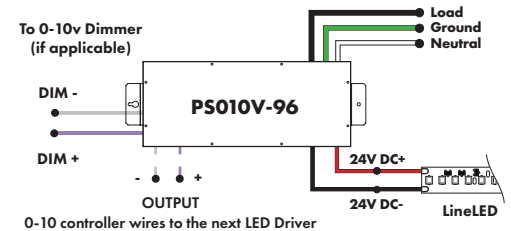


0-10V dims down to 1%, MLV/ELV/TRIAC dims down to 1%.  
For a complete list of compatible dimmers, see [Compatible Dimming Chart](#) on the Resources page.

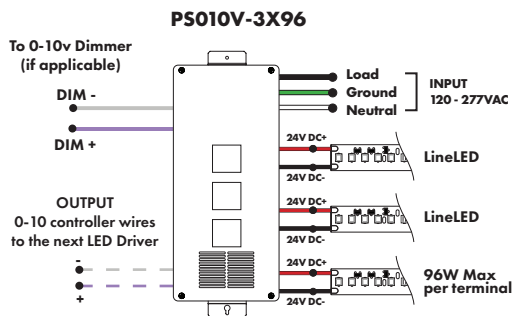
MODELS	PDCU-W 96W	PDCU-W 3X96W	PDCU-D 30W	PDCU-D 60W	PDCU-D 96W	PDCU-D 3X96W
<b>Length</b>	8.66"	11.85"	6.10"	7.93"	8.25"	9.57"
<b>Width</b>	3.73"	4.32"	3.35"	3.35"	4.10"	5.94"
<b>Depth</b>	1.61"	1.81"	1.33"	1.32"	1.56"	1.13"

**0-10V Dimming Power Supplies 0.1% 120VAC - 277VAC**

MODEL	POWER	OUTPUT	DIMMING
PS010V - 0-10V Power Supply dims down to 0.1%	96 - 96 Watt 3X96 - 3 X 96 Watt	24 - 24 VDC	LIN - Linear LOG - Logarithmic



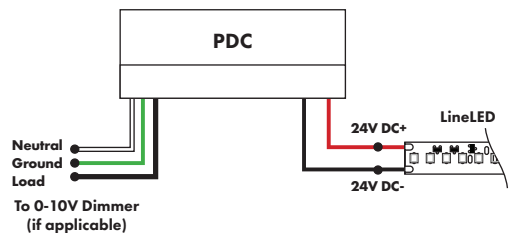
MODELS	96W	3X96
<b>Length</b>	14.40"	15.75"
<b>Width</b>	5.20"	6.62"
<b>Depth</b>	2.60"	4.95"



**Triac, MLV, ELV, & PWM Compatible Dimmers**

MODEL	POWER	OUTPUT
PDC - (IP20) Power Supply	96 - 96 Watts	24 - 24 VDC

MODELS	96W
<b>Length</b>	8.25"
<b>Width</b>	4.10"
<b>Depth</b>	1.56"



**Power Supplies**

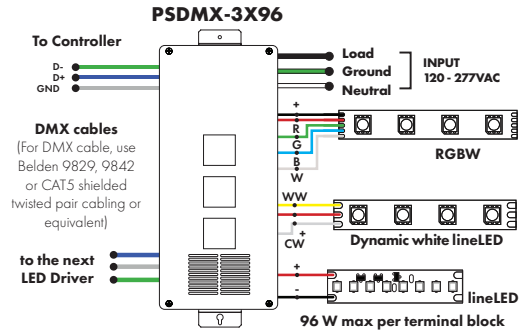
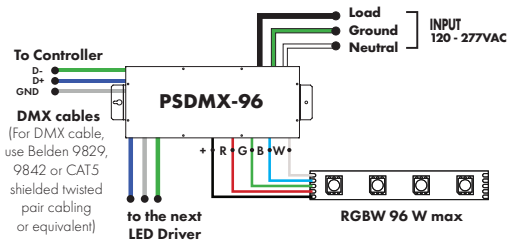
See Power Supply instructions and spec sheet for wiring information. For a complete list of compatible dimmers, see Compatible Dimming Chart on the Resources page.

**DMX Dimming Power Supplies 120VAC - 277VAC**

MODEL	POWER	OUTPUT
PSDMX - DMX Power Supply dims down to 0%	96 - 96 Watt 3X96 - 3 X 96 Watt	24 - 24 VDC

Features eldoLED's LINEARdrive configurable dimmable drivers

MODELS	96W	3X96
<b>Length</b>	14.40"	15.75"
<b>Width</b>	5.20"	6.62"
<b>Depth</b>	2.60"	4.95"

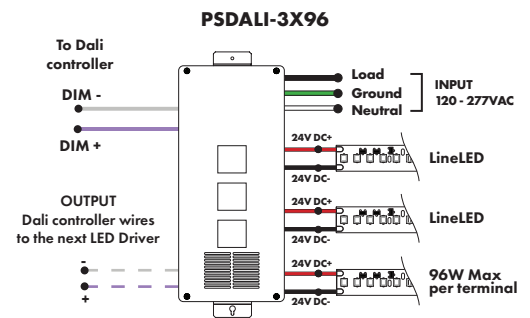
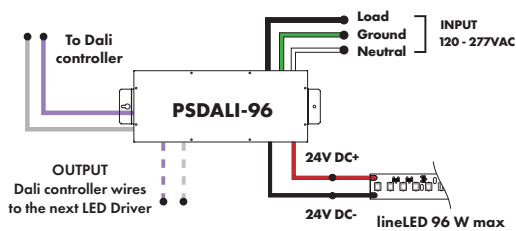


**DALI 0% Dimming Power Supplies 120VAC - 277VAC**

MODEL	POWER	OUTPUT
PSDALI - DALI Power Supply dims down to 0%	96 - 96 Watt 3X96 - 3 X 96 Watt	24 - 24 VDC

Features eldoLED's LINEARdrive configurable dimmable drivers

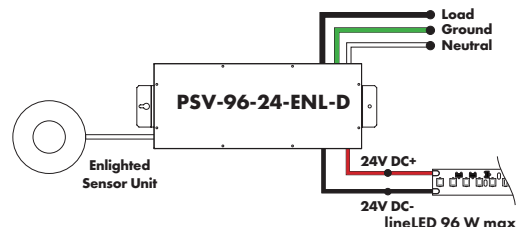
Model	96W	3X96
<b>Length</b>	14.40"	15.75"
<b>Width</b>	5.20"	6.62"
<b>Depth</b>	2.60"	4.95"



**Enlighted Enabled Dimming Power Supplies 120VAC - 277VAC**

MODEL	POWER	OUTPUT	DIMMING	LOCATION
PSV - PSV Series	96 - 96 Watt	24 - 24 VDC	ENL - Enlighted Dimming dims down to 0%	D - Damp

<b>Model</b>	<b>96W</b>
<b>Length</b>	14.40"
<b>Width</b>	5.20"
<b>Depth</b>	2.60"





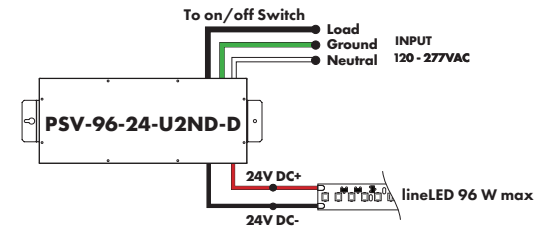
## Power Supplies

See Power Supply instructions and spec sheet for wiring information. For a complete list of compatible dimmers, see Compatible Dimming Chart on the Resources page.

### Non-Dimming Power Supply 120VAC - 277VAC

MODEL	POWER	OUTPUT	DIMMING	LOCATION
PSV - PSV Series	96 - 96 Watt	24 - 24 VDC	U2ND - Non Dimming	D - Damp

MODELS	96W
<b>Length</b>	14.40"
<b>Width</b>	5.20"
<b>Depth</b>	2.60"

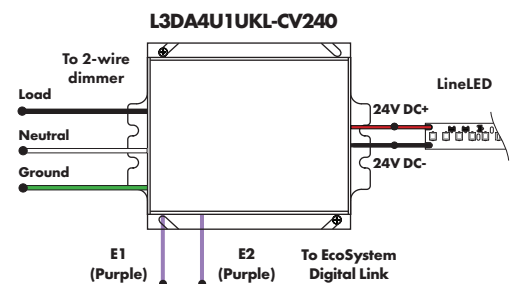
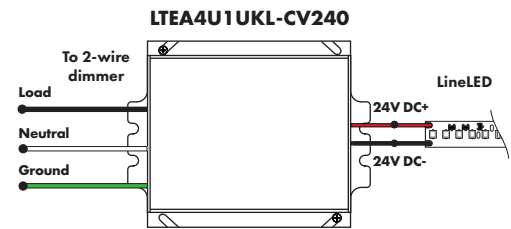


Luminii is a Lutron OEM Advantage Partner

### Lutron Power Supplies 1%

MODEL	MODEL
<b>LTEA4U1UKL-CV240</b>	<b>L3DA4U1UKL-CV240</b>
Lutron - HiLume™ 1% 2-wire LED Driver 40W max	HiLume™ 1% EcoSystem Voltage LED driver 40W max
(120V forward phase only)	

MODELS	LTEA4U1UKL-CV240	L3DA4U1UKL-CV240
<b>Length</b>	4.89"	4.98"
<b>Width</b>	4.00"	4.00"
<b>Depth</b>	2.62"	2.62"

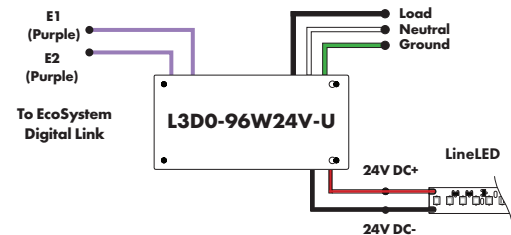


Luminii is a Lutron OEM Advantage Partner

### Lutron Power Supplies 0.1%

MODEL
<b>L3D0-96W24V-U</b>
HiLume™ 0.1% EcoSystem Voltage LED Driver with Soft-On, Fade-to-Black™ 96W max

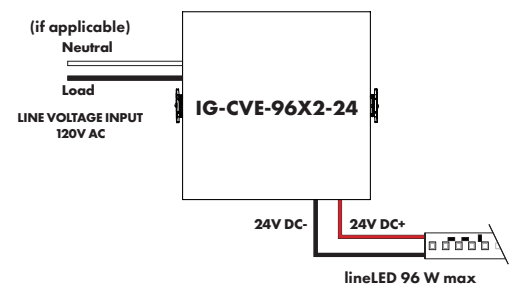
MODELS	L3D0
<b>Length</b>	10.50"
<b>Width</b>	5.50"
<b>Depth</b>	2.00"



### In-Ground Power Supplies

MODEL	POWER	OUTPUT	INPUT
IG - In ground CVE Series	CVE - ELV Dimming DALI - eidoLED Dali dimming Both dims down to 0%	96X2 - 2 X 96 Watt	24 - 24 VDC
			Blank - 120 V 277 - 240/277 V

MODELS	Dual Circuit
<b>Length</b>	8.40"
<b>Width</b>	8.30"
<b>Depth</b>	8.10"



# BeveLED 2.2 Complete - B4RD 4.5" Round Downlight

Universal and Field Convertible - Trim | Trimless | Millwork



usaighting.com/beveled



### FEATURES

- Field Flexibility between trimmed, trimless and millwork
- Dry/damp/wet location rated for bathrooms and showers, including trimless and millwork
- 1% dimming standard + more dimming options
- Clear overspray protector for installation convenience
- Full family platform
- Iconic beveled look

### COMPANION FAMILY PRODUCTS



Deep Regress - B4RC  
usaighting.com/B4RC



Adjustable - B4RA  
usaighting.com/B4RA



Wall Wash - B4RW  
usaighting.com/B4RW

### DOWNLIGHT PERFORMANCE DATA

### LED COLOR CHOICES

DELIVERED* PERFORMANCE:	Classic White						Warm Glow Dimming		Color Select	
	9W	12W	16W	24W	33W	36W	16W	32W	16W	32W
Source Lumens:	1150	1300	1725	2400	3025	4150	1275	2150	1250	2075
Lumens Per Watt:	93	86	86	80	71	99	69	61	60	53
Delivered Lumens:	775	1025	1375	1925	2400	3450	1100	1800	950	1600
EM Mode Output:	575 Delivered Lumens (nominal)						450 Delivered Lumens		475 Delivered Lumens	

\*Based on 3000K, 80+ CRI. Performance varies for each specific beamspread and color temperature. See IES files for exact values at usaighting.com.

### CORRELATED COLOR TEMPERATURE MULTIPLIER

	Classic White								Warm Glow Dimming				Color Select					
	2700K		3000K		3500K		4000K		2700K		3000K		2200K	2700K	3500K	4000K	5000K	6000K
Color Rendering Index:	80+	90+	80+	90+	80+	90+	80+	90+	80+	90+	80+	90+	80+	80+	80+	80+	80+	80+
Multiplier for Lumen Output:	0.94	0.78	1.00	0.78	1.00	1.00	1.06	1.06	0.94	0.74	1.00	0.80	0.87	0.96	1.04	1.09	1.13	1.18

### THE COMPLETE BEVELED FAMILY PLATFORM

More Ceiling Applications

More Sizes and Shapes

Armstrong® Ceiling Solutions Compatible



Sloped Ceiling



BeveLED Block



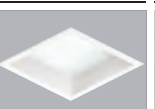
Cylinders



BeveLED Micro



BeveLED Mini



BeveLED 5.0



Trimless Acoustical



Connect TechZone



BeveLED Connect

**USAI LIGHTING COLLABORATORY**  
13 Crosby Street  
New York, NY 10013  
845-234-4090  
showroom@usaighting.com

**USAI LIGHTING HEADQUARTERS**  
1126 River Road  
New Windsor, NY 12553  
T: 845-565-8500 F: 845-561-1130  
info@usaighting.com

© 2017, USAI, LLC. All rights reserved.  
All designs protected by copyright. Covered by US Patents: 8,581,520, 8,456,109, 8,742,695, 9,671,091 and 7,832,889.  
Patents pending: USAI, BeveLED, Warm Glow Dimming and Color Select are registered trademarks of USAI, LLC.  
Created: 06/09/2022

# BeveLED 2.2 Complete - B4RD 4.5" Round Downlight

B4RDF	24C3	40KS	50	S	WH-WH-NT	FT	UNV-D6A	-	-	CB27
Trim Style	Wattage	LED Color	Beam	Lens	Finish	Housing Choices	Voltage & Dimming Driver	EM Battery	Remote Options	Options
<b>F</b> Trimmed with Flange (use with all materials)	Classic White <b>09C3</b> 9W LED <b>12C3</b> 12W LED <b>16C3</b> 16W LED <b>24C3</b> 24W LED	<b>27KS</b> 2700K, 80+ CRI <b>27KH</b> 2700K, 90+ CRI <b>30KS</b> 3000K, 80+ CRI <b>30KH</b> 3000K, 90+ CRI <b>35KS</b> 3500K, 80+ CRI <b>35KH</b> 3500K, 90+ CRI <b>40KS</b> 4000K, 80+ CRI <b>40KH</b> 4000K, 90+ CRI	25° beam 30° beam 40° beam 50° beam 60° beam 90° beam	<b>S</b> Solite (provided standard) <b>SF</b> Solite Frosted <b>BF</b> Borosilicate Frosted	Single Color <b>WH-WH</b> White <b>SC-SC</b> Conduit Silver <b>GR-GR</b> Grey <b>BL-BL</b> Black <b>BZ-BZ</b> Bronze <b>PR-PR</b> Primer Finish <b>QW-QW</b> Antimicrobial Paint, White <b>AC-AC</b> Clear Matte Anodized <b>AB-AB</b> Piano Gloss Black <b>RAL-RAL</b> Custom Color Specify RAL#	Integral Dimming Driver Housings <b>FT</b> Flat Housing New Construction <b>FTIC</b> Flat Housing IC Rated (up to 16W max) <b>FTCP</b> Flat Housing Chicago Plenum <b>NCSM</b> New Construction Narrow Width <b>NC</b> New Construction <b>NCIC</b> Insulation Contact Rated / Airtight <b>NCCP</b> Chicago Plenum	Universal Voltage 120V-277V <b>No Additional Charge</b> <b>UNV-D6E</b> EldoLED 0-10V, 1% <b>UNV-D6F</b> EldoLED 0-10V, 1% <b>UNV-D4H</b> Lutron H ECO, 1% Fade <b>UNV-D4</b> Lutron ECO/3-wire 1% <b>UNV-D6A</b> EldoLED 0-10V, 0.1% <b>UNV-D6B</b> EldoLED 0-10V, 0.1% <b>UNV-D7</b> EldoLED DALI, 0.1% <b>UNV-D28</b> EldoLED DMX, 0.1% 120V Only <b>No Additional Charge</b> <b>120V-D19</b> Phase 2-wire, 1% <b>120V-D3</b> Lutron 2-wire, 1% 347V Only <b>347V-D15</b> 0-10V dim, 1% 347V only	<b>-</b> None <b>EM</b> Emergency Battery <b>EMW</b> Emergency Battery Wet Location <b>EM5</b> Remote EM battery requires remote enclosure by others, minimum size 11" L x 6.75" W x 3.25" H	<b>-</b> None <b>MP</b> Junction Box Mounting Plate, 5-1/8" x 5-1/8" <b>ENC</b> Single Driver enclosure, 4-1/8" x 9-11/16" x 2-3/8"	<b>-</b> None (Nailerbars provided standard) <b>CB27</b> 27" C-Channel Bars <b>CB32</b> 32" C-Channel Bars <b>CB52</b> 52" C-Channel Bars
<b>L</b> Trimless Spackle-in (use with sheetrock and plaster only)	<b>16C3</b> 16W LED <b>24C3</b> 24W LED	<b>30KS</b> 3000K, 80+ CRI <b>30KH</b> 3000K, 90+ CRI	50° beam		<b>BL-BL</b> Black	Remote Dimming Driver Housings <b>FT-RM</b> Flat Housing New Construction <b>FTIC-RM</b> Flat Housing IC Rated (up to 16W maximum) <b>FTCP-RM</b> Flat Housing Chicago Plenum <b>NCSM-RM</b> New Construction Narrow Width <b>NC-RM</b> New Construction <b>NCIC-RM</b> Insulation Contact Rated / Airtight <b>NCCP-RM</b> Chicago Plenum				
<b>M</b> Millwork Knife-Edge (use with wood and stone)	Warm Glow Dimming <b>16WG2</b> 16W LED <b>32WG2</b> 32W LED	<b>2722KS</b> 2700K-2200K, 80+ CRI <b>2722KH</b> 2700K-2200K, 90+ CRI <b>3022KS</b> 3000K-2200K, 80+ CRI <b>3022KH</b> 3000K-2200K, 90+ CRI			Dual Tone <b>AC-WH</b> AC bevel, WH flange <b>AC-BL</b> AC bevel, BL flange <b>AC-BZ</b> AC bevel, BZ flange <b>AB-WH</b> AB bevel, WH flange <b>AB-GR</b> AB bevel, GR flange <b>AB-BZ</b> AB bevel, BZ flange					
	Color Select <b>16CS1</b> 16W LED <b>32CS1</b> 32W LED	<b>6022KS</b> 6000K-2200K, 80+ CRI			Natatorium Protection <b>WH-WH-NT</b> White Natatorium <b>SC-SC-NT</b> Conduit Silver Nat. <b>GR-GR-NT</b> Grey Natatorium <b>BL-BL-NT</b> Black Natatorium <b>BZ-BZ-NT</b> Bronze Natatorium					

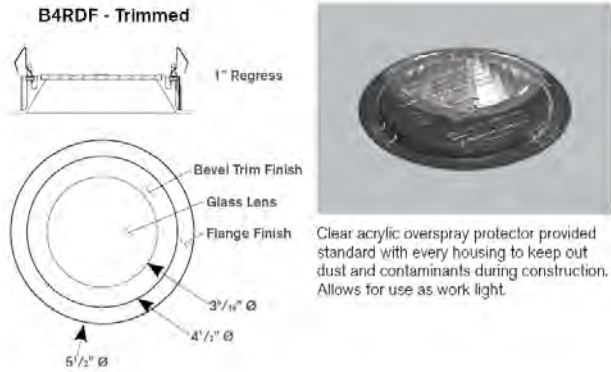
Part # B4RDF24C340KS50SWH-WH-NTFTUNV-D6A--CB27

**IMPORTANT NOTES**

- Color Select tunable white option requires additional 0-10V dimming wires; see wiring diagram for details.
- When NC housing is specified, integral Emergency Battery option is supplied with an integral test switch and is dry/damp/wet location rated.
- When NCSM housing is specified, the integral EM battery is supplied with a remote test switch that is dry/damp only; select EMW option for a gasketed, wet-location rated remote test switch with NCSM housing. EM options require above ceiling access for service with NCSM housings.

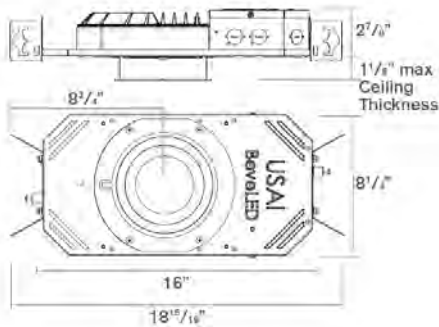
# BeveLED 2.2 Complete - B4RD 4.5" Round Downlight

**TRIM DETAILS**



**HOUSING DETAILS**

**B4RDF Flat Housing - FT**



**FIELD REPLACEABLE LED LIGHT ENGINE** is serviceable through the aperture with a Phillips screwdriver.

**USAI CLASSIC WHITE LED COLOR TECHNOLOGY:** is tightly binned for fixture-to-fixture color consistency within a 2-Step MacAdam's Ellipse.

**TRIM:** Die cast aluminum beveled trim has a 4.5" aperture with a 1" regressed bevel and retains a glass lens.

**HOUSING:** All BeveLED 2.2 fixtures are field-flexible which allows for field changes from trimless or millwork to trimmed with a simple components change with parts from USAI. Housings are fabricated of 20 ga. steel construction with thru wire J-box, 4 in 4 out at min. 90 degrees Celsius, #12 AWG thru branch circuit wiring.

**MOUNTING:** BeveLED overlap flange fixtures are designed for use in sheetrock, acoustical ceiling tile, and many other ceiling materials. Butterfly brackets and residential grade adjustable nailer bars extendible from 14" to 24" centers with integral nails are provided standard for attachment to building structure. C-channel bars are optionally available for acoustical ceiling applications.

**FIXTURE WEIGHT:** 8 lbs

**CEILING CUT OUT:** Round Trimmed with Overlap Flange= 5-1/16" Diameter circle

**WARRANTY:** Based on IESNA LM80-2008, USAI Lighting LED light fixtures have a 50,000 hour rated life at 70% lumen maintenance (L70). USAI Lighting Warranty covers replacement parts for 5 years from date of shipment. Ambient temperatures at fixture location should not exceed 40 degrees C.

**LISTINGS:** Dry/Damp/Wet location. AC and AB trim finishes are dry/damp only. EM Integral test switch is dry/damp/wet rated; EM remote test switch is dry/damp only. Select EMW option for wet location remote test switch. UL2043 rated for use in air handling plenums. NRTL/CSA-US tested to UL standards. IBEW union made.



**NOTES:** Not for use in corrosive environment. Use of pressure washer voids warranty.

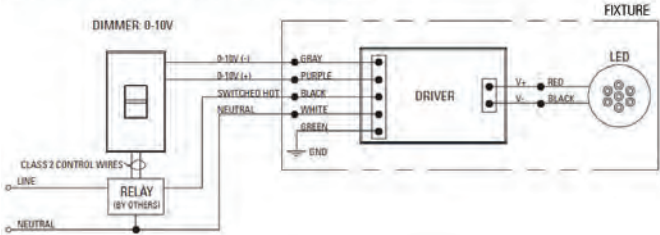
**PHOTOMETRICS:** Consult factory or website for IES files. Tested in accordance with IESNA LM79.

# BeveLED 2.2 Complete - B4RD 4.5" Round Downlight

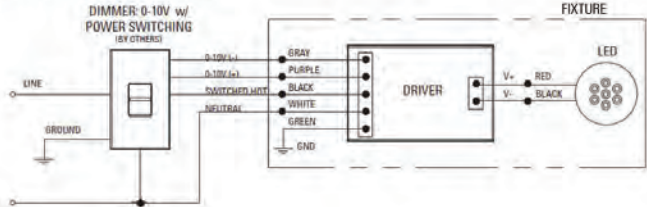
**FIELD REPLACEABLE DIMMING DRIVER:** An EldoLED SOLOdrive 0-10V, 100%-0.1% linearly programmed solid state electronic constant current integral dimming driver with a high power factor is provided and sources 2mA. This dimming driver is located within the fixture housing and is serviceable from below the ceiling through the aperture. Some ontime delay may be experienced depending on control system used. All dimming drivers comply with IEEE C62.41 surge protection.

Manufacturer	Product	Part Number	Dimmed Light Output Range	Qty Fixtures Per Dimmer*
<b>120V &amp; 277V</b>				
Lutron	Diva	DVTV/NFTV with PP-20	99% - 0.1%	Refer to manufacturer's dimmer load rating for maximum and minimum fixture quantities per dimmer.
Lutron	Nova T	NTFTV with PP-20	99% - 0.1%	
Lutron	Energi Savr Node	QSN-4T16-S	100% - 0.1%	
Lutron	GP Dimming Panels	TVM2 Module	99% - 0.1%	
Lutron	Interfaces	GRX-TVI w/ GRX3503	100% - 0.1%	
Sensor Switch enlighted	nID	nID EZ	100% - 0.1%	
	Control Unit	CU-3E-1R	100% - 0.1%	

0-10V DIMMING WITH RELAY TO SWITCH POWER



0-10V DIMMING (NO RELAY)



# BeveLED 2.2 Complete - B4RD 4.5" Round Downlight



## FOR OFFICE ONLY

**BeveLED 2.2 Housing:** B4RDF-24C3-40KS-50-FT-UNV-D6A---HSG  
**BeveLED 2.2 Trim:** B4RDF-S-WH-WH-NT-TRM

**Complete:** -

## DOWNLOAD FILES

### SPEC SHEETS

[B4RD - RD\\_DL](#)

### ↓ IES FILES

### PERFORMANCE DATA

[B4RD Photometry](#)

### ↓ REVIT / BIM

## INSTALLATION INSTRUCTIONS

[BeveLED 2.2 FT-FTIC-FTCP Installation Instructions](#)

[BeveLED 2.2 FT-FTIC-FTCP Service Instructions](#)

[BeveLED 2.2 NCIC-NCCP Installation Instructions](#)

[BeveLED 2.2 NC-NCIC-NCCP Service Instructions](#)

[BeveLED 2.2 NCSM Installation Instructions](#)

[BeveLED 2.2 NCSM Service Instructions](#)

## DIMMING COMPATIBILITY

[BeveLED 2.2 Dimming Compatibility](#)

## BROCHURES

[BeveLED 2.2 Brochure](#)

**PROPOSED CARPORT DOWNLIGHT**



# VCPGX Ultimate LED Parking Garage

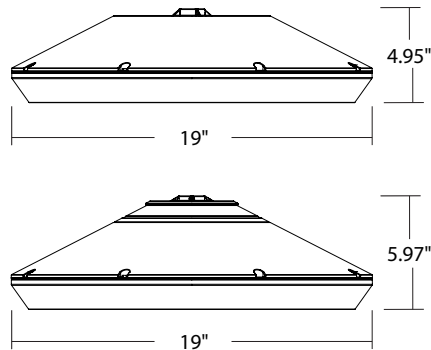


Catalog Number
Notes
Type

Hit the Tab key or mouse over the page to see all interactive elements.

## Specifications

- Diameter:** 19"
- Height:** 4.95"  
(6" with Up-Light)
- Weight** (max, with no options): 25 lbs



## Introduction

The all new VCPGX LED (Visually Comfortable Parking Garage) luminaire is the ultimate solution for parking garage applications. The deep recessed lens design of VCPGX LED minimizes high angle glare, while its patent pending transition zone reduces the contrast ratio between the luminaire and the dark ceiling. The dedicated up-light module option further reduces this contrast, creating a more visually comfortable environment.

The VCPGX LED delivers up to 87% in energy savings when replacing 175W metal halide luminaires. With over 100,000 hour life expectancy (12+ years of 24/7 continuous operation), the VCPGX LED luminaire provides significant maintenance savings over traditional luminaires.

A+ Capable options indicated by this color background.

## Ordering Information

**EXAMPLE: VCPGX LED V8 P3 40K 70CRI T5M MVOLT PM UPL2 DWHXD**

Series	LED Light Engines	Package	Color temperature	Color Rendering Index	Distribution	Voltage	Mounting
VCPGX LED	V4 4 Light Engines	P1	30K 3000 K	70CRI	T5M Type V, medium	MVOLT	<b>Shipped included</b> PM Pendant mount standard (24-inch length supply leads) SRM Surface mount (24-inch length supply leads) ARM Arm mount (use RSXWBA accessory to mount to a wall)  <b>Shipped separately</b> YK Yoke/trunnion mount <sup>2</sup>
		P2	35K 3500 K	80CRI	T5R <sup>1</sup> Type V, rectangular	347	
	V8 8 Light Engines	P3	40K 4000 K	T5W Type V, wide T5E Type V entry LANE <sup>1</sup> Drive lane	For ordering with fuse	480	
		P4	50K 5000 K			240	
		P5				277	
		P6				347	
		P7 (with V8 only)				480	

Options	Finish (required)
<b>Shipped installed</b> UPL1 Up-Light: 500 lumens UPL2 Up-Light: 700 lumens E8WC Emergency battery backup, CEC compliant (8W, -20°C min) <sup>3,4,5</sup> E10WH Emergency battery backup, CEC compliant (10W, 5°C min) <sup>3,4,5</sup> HA High ambient (50°C, only P1-P4) SF Single fuse (120V, 277V, 347V) DF Double fuse (208V, 240V, 480V) SPD10KV 10KV Surge Pack LDS36 36in (3ft) lead length LDS72 72in (6ft) lead length LDS108 108in (9ft) lead length DMG External 0-10V leads (no controls) <sup>6</sup>	DWHXD White DNAXD Natural aluminum DDBXD Dark bronze DBLXD Black
<b>Standalone Sensors/Controls</b> PIR Motion/ambient sensor for 8-15' mounting heights PIRH Motion/ambient sensor for 15-30' mounting heights PIR3FC3V Motion/ambient sensor for 8-15' mounting heights, pre programmed to 3fc and 35% light output PIRH3FC3V Motion/ambient sensor for 15-30' mounting heights, pre programmed to 3fc and 35% light output PIR3FC3V924 UL924 Listed motion/ambient sensor for emergency circuit for 8-15' mounting heights, pre programmed to 3fc and 35% light output <sup>7</sup> PIRH3FC3V924 UL924 Listed motion/ambient sensor for emergency circuit for 15-30' mounting heights, pre programmed to 3fc and 35% light output <sup>7</sup>	
<b>Shipped Separately</b> BDS Bird Shroud	
<b>Networked Sensors/Controls</b> NLTAIR2 PIR nLIGHT AIR Wireless enabled motion/ambient sensor for 8-15' mounting heights NLTAIR2 PIRH nLIGHT AIR Wireless enabled motion/ambient sensor for 15-30' mounting heights NLTAIR2 PIR924 nLIGHT AIR Wireless enabled, UL 924 Listed motion/ambient sensor for emergency circuits for 8-15' mounting heights <sup>8</sup> NLTAIR2 PIRH924 nLIGHT AIR Wireless enabled, UL 924 Listed motion/ambient sensor for emergency circuits for 15-30' mounting heights <sup>8</sup>	



COMMERCIAL OUTDOOR

One Lithonia Way • Conyers, Georgia 30012 • Phone: 1-800-705-SERV (7378) • [www.lithonia.com](http://www.lithonia.com)  
 © 2018-2021 Acuity Brands Lighting, Inc. All rights reserved.

VCPGX LED  
 Rev. 08/31/21



## Ordering Information Cont.

### Accessories

Ordered and shipped separately.

VCPGBDS DWHXD U	Bird shroud for PM (specify finish)
VCPGBDS YK DWHXD U	Bird shroud for YK (specify finish)
VCPGUBDS DWHXD U	Bird shroud for PM with Up-Light (specify finish)
VCPGUBDS YK DWHXD U	Bird shroud for YK with Up-Light (specify finish)
VCPGSRM U	Surface mount kit, with no Up-Light
VCPGUSRM U	Surface mount kit, with Up-Light
VCPGWG U	Wire guard
SLVSQ	Quick mount pendant swivel kit, square
SLVRD	Quick mount pendant swivel kit, round
VCPG YK DWHXD U	Yoke mount kit (specify finish)
RSXWBA DWHXD U	RSX WBA wall bracket (specify finish)

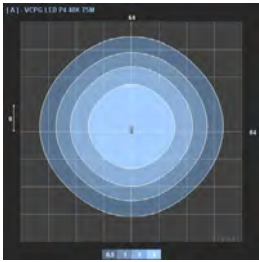
### NOTES

- 1 Not available in P7 package or with V8 option.
- 2 Only vertical height adjustment. No angle adjustment. Use PM and SLVSQ or SLVRD for mounting to angled ceiling or canopies.
- 3 Not available with 347V or 480V.
- 4 E8WC and E10WH only rated up to 35°C ambient.
- 5 E8WC & E10WH only available with P1-P4 packages.
- 6 DMG option not available with standalone or networked sensors/controls.
- 7 Power interruption delay >30 milliseconds required for operation. Refer sequence of operations on page 4 for more details.
- 8 Not available with P6 & P7. Power interruption delay >200 milliseconds required for operation. Refer sequence of operations on page 4 for more details.

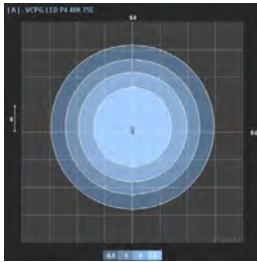
## Photometric Diagrams

To see complete photometric reports or download .ies files for this product, visit the [VCPG Ultimate LED Parking Garage Luminaire homepage](#). Tested in accordance with IESNA LM-79 and LM-80 standards

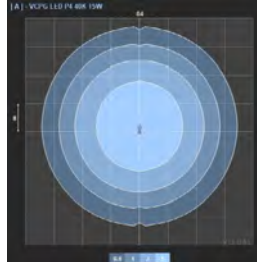
VCPG LED P4 TSM 40K



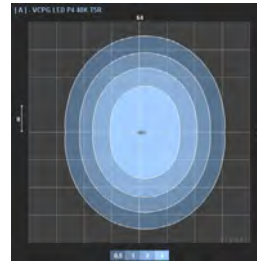
VCPG LED P4 T5E 40K



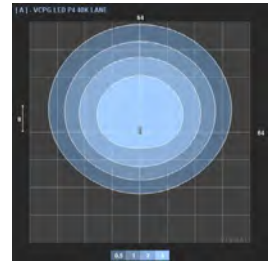
VCPG LED P4 T5W 40K



VCPG LED P4 T5R 40K



VCPG LED P4 LANE 40K



## Performance Data

Lumen values are from photometric tests performed in accordance with IESNA LM-79-08. Data is considered to be representative of the configurations shown, within the tolerances allowed by Lighting Facts. Contact factory for performance data on any configurations not shown here.

### Lumen Ambient Temperature (LAT) Multipliers

Use these factors to determine relative lumen output for average ambient temperatures from 0-40°C (32-104°F).

Ambient		Lumen Multiplier
0°C	32°F	1.03
10°C	50°F	1.02
20°C	68°F	1.01
25°C	77°F	1
30°C	86°F	0.99
40°C	104°F	0.98

### Projected LED Lumen Maintenance

Data references the extrapolated performance projections for the platforms noted in a 25°C ambient, based on 10,000 hours of LED testing (tested per IESNA LM-80-08 and projected per IESNA TM-21-11).

To calculate LLF, use the lumen maintenance factor that corresponds to the desired number of operating hours below. For other lumen maintenance values, contact factory.

Operating Hours	0	25,000	50,000	100,000
Lumen Maintenance Factor	1.0	0.97	0.94	0.89

### Electrical Load

Power Package	System Watts	Current (A)					
		120V	208V	240V	277V	347V	480V
P1	27W	0.22	0.13	0.12	0.10	0.08	0.06
P2	34W	0.28	0.16	0.14	0.13	0.10	0.08
P3	43W	0.37	0.21	0.18	0.16	0.13	0.09
P4	56W	0.48	0.28	0.24	0.21	0.16	0.12
P5	82W	0.68	0.40	0.35	0.30	0.24	0.18
P6	108W	0.91	0.52	0.45	0.39	0.32	0.23
P7	124W	1.03	0.59	0.51	0.44	0.37	0.27

## Performance Data

Lumen values are from photometric tests performed in accordance with IESNA LM-79-08. Data is considered to be representative of the configurations shown, within the tolerances allowed by Lighting Facts. Contact factory for performance data on any configurations not shown here.

### Lumen Output, V4 Option

Performance Package	Watts	Distribution Type	30K (3000K, 70 CRI)		35K (3500K, 70 CRI)		40K (4000K, 70 CRI)		50K (5000K, 70 CRI)	
			Lumens	LPW	Lumens	LPW	Lumens	LPW	Lumens	LPW
P1	27W	TSE	3,546	133	3,634	137	3,778	142	3,838	144
		TSM	3,573	134	3,662	138	3,807	143	3,867	146
		TSW	3,509	132	3,596	135	3,738	141	3,798	143
		TSR	3,421	129	3,506	132	3,645	137	3,703	139
		LANE	3,380	127	3,464	130	3,601	136	3,658	138
P2	34W	TSE	4,532	133	4,644	137	4,828	142	4,905	144
		TSM	4,567	134	4,680	138	4,865	143	4,942	146
		TSW	4,484	132	4,595	135	4,777	141	4,853	143
		TSR	4,372	129	4,481	132	4,658	137	4,732	139
		LANE	4,320	127	4,427	130	4,602	136	4,676	138
P3	43W	TSE	5,750	133	5,893	136	6,126	141	6,223	143
		TSM	5,795	134	5,938	137	6,173	142	6,271	145
		TSW	5,690	131	5,832	134	6,062	140	6,158	142
		TSR	5,548	128	5,686	131	5,910	136	6,004	138
		LANE	5,482	126	5,618	130	5,840	135	5,933	137
P4	56W	TSE	7,318	130	7,500	133	7,796	138	7,920	141
		TSM	7,375	131	7,558	134	7,856	140	7,981	142
		TSW	7,242	129	7,421	132	7,714	137	7,837	139
		TSR	7,061	125	7,236	129	7,522	134	7,641	136
		LANE	6,977	124	7,150	127	7,432	132	7,550	134
P5	82W	TSE	10,088	123	10,339	126	10,747	131	10,918	133
		TSM	10,166	124	10,418	127	10,830	132	11,002	134
		TSW	9,982	122	10,230	125	10,634	129	10,803	132
		TSR	9,733	118	9,974	121	10,368	126	10,534	128
		LANE	9,617	117	9,856	120	10,245	125	10,408	127
P6	108W	TSE	12,751	118	13,067	121	13,583	126	13,799	128
		TSM	12,849	119	13,168	122	13,688	127	13,906	129
		TSW	12,617	117	12,930	120	13,441	125	13,655	127
		TSR	12,302	114	12,607	117	13,105	122	13,313	124
		LANE	12,155	113	12,457	116	12,948	120	13,155	122

### Up-light Lumen Output

Up-light Option	Watts	Lumens
UPL1	6.5W	519
UPL2	8.5W	715

### Lumen Multiplier for 80CRI

CCT	Multiplier
30K	0.926
35K	0.945
40K	0.967
50K	0.965

### Lumen Output, V8 Option

Performance Package	Watts	Distribution Type	30K (3000K, 70 CRI)		35K (3500K, 70 CRI)		40K (4000K, 70 CRI)		50K (5000K, 70 CRI)	
			Lumens	LPW	Lumens	LPW	Lumens	LPW	Lumens	LPW
P1	26W	TSE	3,639	140	3,729	143	3,876	149	3,938	151
		TSM	3,667	141	3,758	145	3,906	150	3,968	153
		TSW	3,600	138	3,690	142	3,835	148	3,897	150
P2	33W	TSE	4,650	140	4,765	143	4,954	149	5,033	151
		TSM	4,686	141	4,802	144	4,992	150	5,071	152
		TSW	4,601	138	4,715	142	4,901	147	4,980	150
P3	42W	TSE	5,900	139	6,047	143	6,286	148	6,386	151
		TSM	5,946	140	6,093	144	6,334	149	6,435	152
		TSW	5,839	138	5,984	141	6,220	147	6,319	149
P4	55W	TSE	7,509	136	7,696	139	7,999	145	8,127	147
		TSM	7,567	137	7,755	140	8,061	146	8,189	148
		TSW	7,431	135	7,615	138	7,916	143	8,042	146
P5	81W	TSE	10,351	129	10,608	132	11,027	137	11,203	139
		TSM	10,431	130	10,690	133	11,112	138	11,289	140
		TSW	10,242	127	10,497	130	10,911	136	11,085	138
P6	106W	TSE	13,083	124	13,408	127	13,937	132	14,159	134
		TSM	13,184	125	13,511	128	14,045	133	14,268	135
		TSW	12,946	123	13,267	126	13,791	131	14,011	133
P7	124W	TSE	15,350	124	15,730	127	16,351	132	16,612	134
		TSM	15,468	125	15,851	128	16,477	133	16,740	135
		TSW	15,189	122	15,566	126	16,180	130	16,438	133



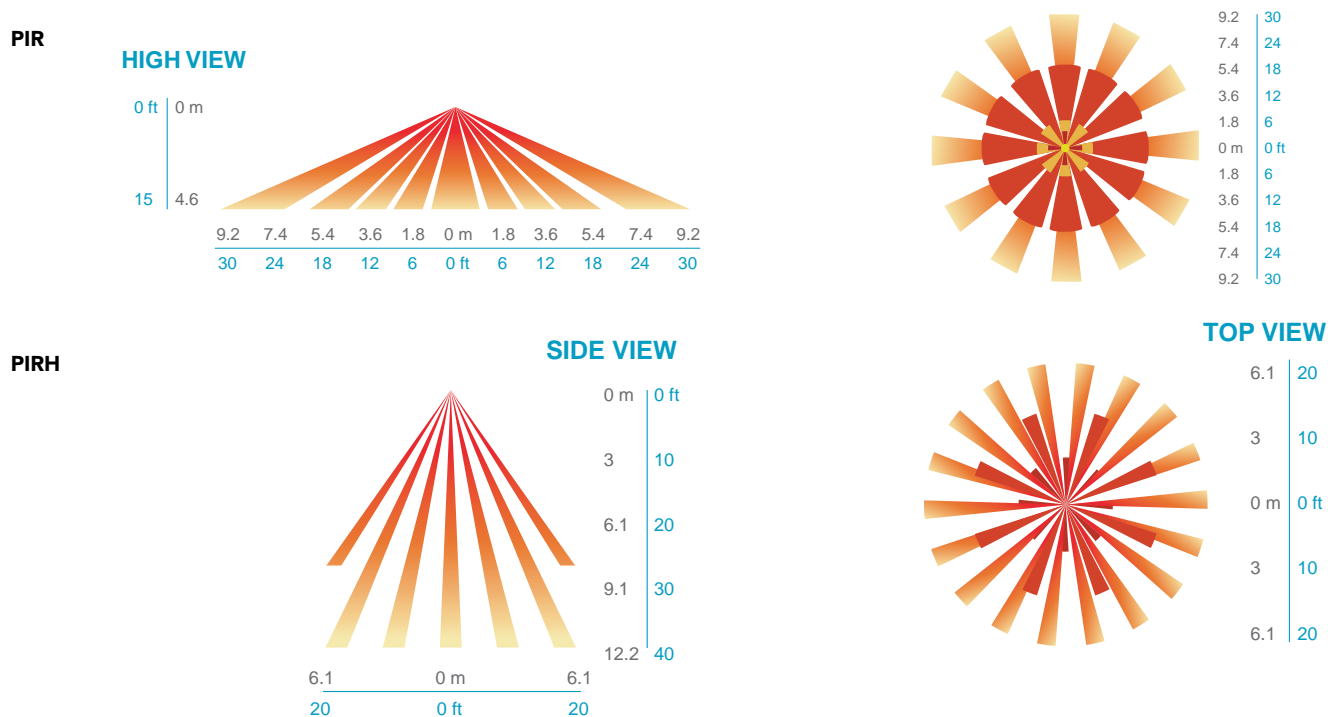
## Control/Sensor Options

### Motion/Ambient Sensor (PIR, PIRH)

Motion/Ambient sensor (Sensor Switch MSOD, nLight AIR RMSOD) is integrated into the luminaire. The sensor provides both Motion and Daylight based dimming of the luminaire. For motion detection, the sensor utilizes 100% Digital Passive Infrared (PIR) technology that is tuned for walking size motion while preventing false tripping from the environment. The integrated photocell enables additional energy savings during daytime periods when there is sufficient daylight. Optimize sensor coverage by either selecting PIR or PIRH option. PIR option comes with a sensor lens that is optimized to provide maximum coverage for mounting heights between 8-15ft, while PIRH is optimized for 15-40ft mounting height.

### Networked Control (NLTAIR2)

nLight® AIR is a wireless lighting controls platform that allows for seamless integration of both indoor and outdoor luminaires. Five-tier security architecture, 900 MHz wireless communication and app (CLAIRITY™ Pro) based configurability combined together make nLight® AIR a secure, reliable and easy to use platform.



### Motion/Ambient Sensor Default Settings

Option	Dim Level	High Level (when triggered)	Photocell Operation	Motion Time Delay	Ramp-down Time	Ramp-up Time
PIR or PIRH	Motion - 3V (37% of full output) Photocell - 0V (turned off)	10V (100% output)	Enabled @ 5fc	5 min	5 min	Motion - 3 sec Photocell - 45 sec
PIR3FC3V or PIRH3FC3V	Motion - 3V (37% of full output) Photocell - 0V (turned off)	10V (100% output)	Enabled @ 3fc	5 min	5 min	Motion - 3 sec Photocell - 45 sec

### Sequence of Operations for UL924 Listed Controls/Sensors

#### (PIR3FC3V924, PIRH3FC3V924, XAD924, NLTAIR2 PIR924, NLTAIR2 PIRH924)

The UL924 listed control/sensor ("device") is designed to provide full light output for 90 minutes following power loss ("Egress Mode"), ignoring both manual and automatic dimming/occupancy/daylight control signals during this time. The sequence of operations is as follows:

- Normal condition: device can dim and turn off the luminaire as normal, in response to automatic and manual control.
- Utility power fails, and luminaire loses power.
- Backup power source activates, transfer switch moves the emergency circuit powering the luminaire onto the backup source, and luminaire regains power.
- The device detects this power interruption, if it is >30ms (for PIR3FC3V924, PIRH3FC3V924, XAD924) or >200ms (for NLTAIR2 PIR924, NLTAIR2 PIRH924).
- The device ignores all dimming commands and controls the driver to full light output for 90 minutes.
- The device resumes normal dimming controls after 90 minutes.

These UL924 listed controls/sensors are not intended for use with central emergency power systems with >30ms transfer time. The power interruption, when transferring from normal utility power to emergency backup power, is required for the controller to activate its Egress Mode and provide full light output.



## Mounting, Options & Accessories



**PM – Pendant Mount**  
(compatible with 3/4" NPT, pendant stem provided by others)

D = 19"  
H = 4.1"



**SRM – Surface Mount**

D = 19"  
H = 4.1"



**SRM – Surface Mount with Up-Light**

D = 19"  
H = 5.3"



**YK – Yoke/Trunnion Mount**

D = 19"  
H (Yoke) = 10"-18"



**ARM – Arm Mount**

L = 28"  
W = 19"  
H = 8"



**PIR & PIRH – Motion/Ambient sensor**

L = 20.4"  
W = 19"  
H = 5.45" (no up-light)  
or 6.45" (with up-light)



**NLTAIR2 PIR – nLight AIR Motion/Ambient Sensor**

L = 20.4"  
W = 19"  
H = 5.45" (no up-light)  
or 6.45" (with up-light)



**BDS – Bird shroud for pendant mount**

D = 19"  
H = 8.85"



**BDS – Bird shroud for yoke mount**

D = 19"  
H (Yoke) = 10"-18"

## FEATURES & SPECIFICATIONS

### INTENDED USE

The visually comfortable optics, energy savings, and long life of the VCPGX LED Parking Garage luminaire make it an ideal choice for new commercial installations and retrofit parking garage opportunities. It is designed to meet or exceed recommended illuminance criteria when installed as a direct replacement of most HID parking garage luminaires. Its modern dayform and aesthetics also make it appealing for indoor low-bay applications.

### CONSTRUCTION

Two-piece die-cast aluminum housing has integral heat sink fins to optimize thermal management through conductive and convective cooling. The LED driver is separated from the heat generating light engines and mounted in direct contact with the casting to promote low operating temperatures, higher lumen maintenance and long life. The housing is completely sealed against moisture and environmental contaminants (IP66) and is suitable for hose-down application.

### FINISH

Exterior painted parts are protected by a zinc-infused Super Durable TGIC thermoset powder coat finish that provides superior resistance to corrosion and weathering. A tightly controlled multi-stage process ensures a 3 mils thickness for a finish that can withstand extreme climate changes without cracking or peeling.

### OPTICS

Light guide technology provides a diffused light source, reducing glare from direct view of the LEDs. The light source is recessed into the luminaire, further reducing the high angle glare from the luminaire. A combination of precision molded micro prismatic acrylic lenses and back reflectors provide five different photometric distributions tailored specifically to parking garage applications. Up-light option comes with a dedicated light engine and custom optic designed to efficiently spread light on to the ceiling, thus reducing the cave effect.

### ELECTRICAL

Light engine consists of high-efficacy LEDs mounted to metal-core circuit boards to maximize heat dissipation and promote long life (up to L89/100,000 hours at 25°C). The electronic driver has a power factor of >90%, THD <20%, and a minimum 6.0 KV surge rating. When ordering the SPD10KV option, a separate 10kV (5kA) surge protection device is installed within the luminaire which meets a minimum Category C low operation (per ANSI/IEEE C62.41.2). Luminaire is 0-10V dimmable down to 10% or lower.

### INSTALLATION

Standard configuration accepts a rigid or free-swinging 3/4" NPT stem for pendant mounting. The surface mount option attaches to a 4x4" recessed or surface mount outlet box using a quick-mount kit (included); kit contains galvanized steel luminaire and outlet box plates and a full pad gasket. Kit has an integral mounting support that allows the luminaire to hinge down for easy electrical connections. Luminaire and plates are secured with set screws. Also, available with a yoke/trunnion mount option with 3/4" NPT provision for flexible conduit entry (conduit by others); height can be adjusted from 10-18". Supply leads are 24" in length as standard. Longer supply leads are available as additional options. Design can withstand up to a 3.0 G vibration load rating per ANSI C136.31.

### LISTINGS

CSA certified to U.S. and Canadian standards. IP66 rated for outdoor applications. PIR options are rated for wet location. Rated for -40°C minimum ambient. DesignLights Consortium® (DLC) Premium qualified product and DLC qualified product. Not all versions of this product may be DLC Premium qualified or DLC qualified. Please check the DLC Qualified Products List at [www.designlights.org/QPL](http://www.designlights.org/QPL) to confirm which versions are qualified.

### BUY AMERICAN

This product is assembled in the USA and meets the Buy America(n) government procurement requirements under FARS, DFARS and DOT. Please refer to [www.acuitybrands.com/resources/buy-american](http://www.acuitybrands.com/resources/buy-american) for additional information.

### WARRANTY

5-year limited warranty. Complete warranty terms located at: [www.acuitybrands.com/support/warranty/terms-and-conditions](http://www.acuitybrands.com/support/warranty/terms-and-conditions)

### Note:

Actual performance may differ as a result of end-user environment and application. All values are design or typical values, measured under laboratory conditions at 25 °C. Specifications subject to change without notice.



COMMERCIAL OUTDOOR

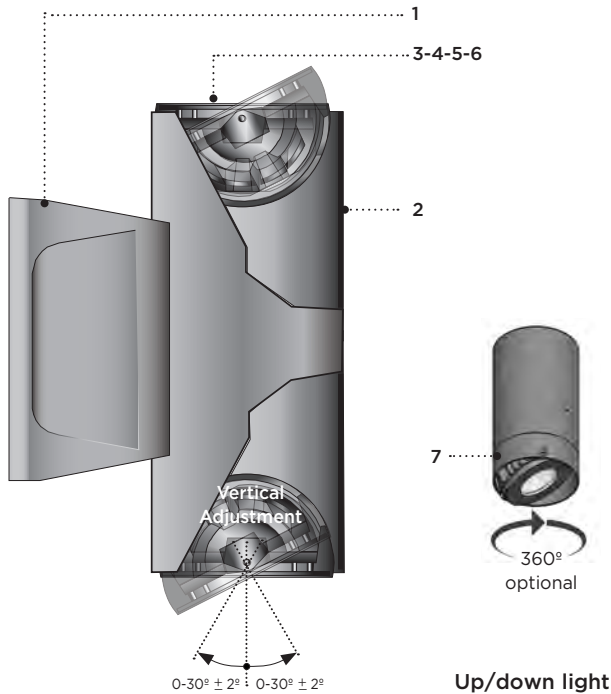
One Lithonia Way • Conyers, Georgia 30012 • Phone: 1-800-705-SERV (7378) • [www.lithonia.com](http://www.lithonia.com)  
© 2018-2021 Acuity Brands Lighting, Inc. All rights reserved.

VCPGX LED  
Rev. 08/31/21

TYPE: \_\_\_\_\_ QUANTITY: \_\_\_\_\_ PROJECT: \_\_\_\_\_

CATALOG NUMBER:

FIXTURE    SUFFIX    REFLECTOR    VOLTAGE    FINISH    OPTION    OPTION    OPTION



- 1- Cast aluminum driver housing. Includes galvanized steel wall mount pressure plate.
- 2- Seamless extruded aluminum cylindrical housing.
- 3- Fully sealed cast aluminum up/down light assembly.
- 4- Sealed cast aluminum lens frame.
- 5- Clear tempered glass lens.
- 6- Faceted specular aluminum reflector.
- 7- Optional 360° adjustable rotation.

SY602



All stainless steel hardware.

**Syrios LED** light module is designed with a tilting mechanism allowing forward and back light adjustability. The  $\pm 30^\circ$  directional module allows to aim the light beam in the desired direction, without disturbing the luminaire mounting. The module can be secured using the built in locking mechanism.

Fully adjustable 360° rotation also available, see option A360.

Other adjustment factory set positions are available. Please consult factory.

**MATERIALS**

**Syrios LED** is made of corrosion resistant 356 aluminum alloy with a copper (CU) content of less than 0.1%. The main housing is made of seamless extruded aluminum, with an integrally sealed LED light module designed for optimal heat dissipation, and lighting performance.

**Syrios LED** is standard with a unique proprietary design allowing the sealed LED module to tilt within the cylindrical housing.

**Syrios LED SY602** series is standard with 30° optics. See options section for alternate selection.

**ELECTRICAL**

**DRIVER** Standard driver is 0-10V dimming-ready (dims to 10%) with: 120-277 multi-volt compatibility (50-60Hz), operating temperature range of -40°C/-40°F to 55°C/131°F, output over voltage protection, output over current protection and output short circuit protection with auto-recovery.

**LED** Standard 4000K/80CRI. Optional 2700K, 3000K & 3500K. Optional Amber LED for turtle sensitive areas. Wavelengths: 584.5nm to 597nm.

**LIFE**

60,000hrs  $L_{70}B_{50}$  (based on IESNA TM-21 Test Method and LM-80 data). Up to 70,000hrs  $L_{70}B_{50}$  (calculated projection from LM-80 data).

**FINISH**

Five-stage preparation process including preheating of cast aluminum parts for air extraction, and an environmentally friendly alloy sealant. Polyester powder coating is applied through an electrostatic process and oven cured for long term finish.

**MOUNTING**

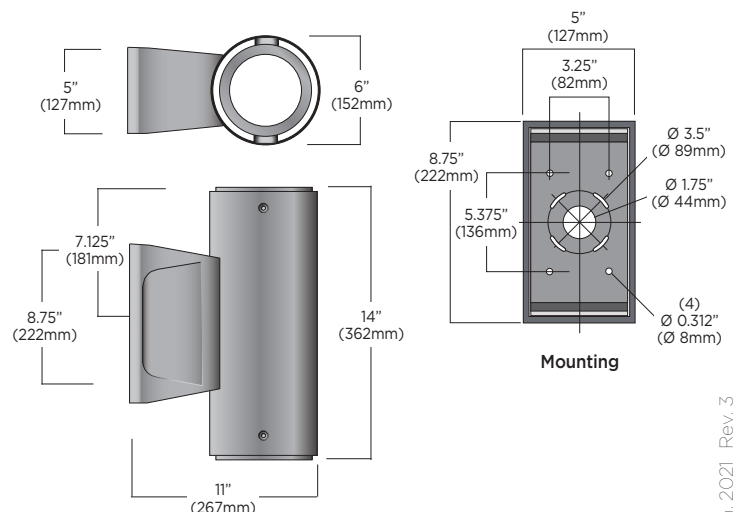
Maximum weight: 11.7 lbs (5.3 kg)

The mounting plate is designed to fit on a 4" (102mm) octagonal electrical box using 3 1/2" (89mm) C/C mounting holes.

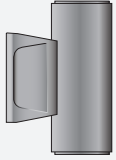
Additional mounting holes are provided as per site requirements.

**CERTIFICATION**

Tested to UL1598 and CSA 22.2 #250. cULus listed wet location. Rated IP66.



## LUMINAIRE SELECTION

<b>1 MODEL#</b>  <input type="checkbox"/> SY602	<b>2 LED LIGHT SELECTION</b> <table border="1"> <thead> <tr> <th>SUFFIX</th> <th>INPUT WATTS</th> <th>DELIVERED LUMENS</th> <th>CRI</th> <th>CCT °K</th> </tr> </thead> <tbody> <tr> <td><input type="checkbox"/> L2L15</td> <td>31W</td> <td>3198</td> <td>80</td> <td>4000</td> </tr> <tr> <td><input type="checkbox"/> L2L25</td> <td>51W</td> <td>5087</td> <td>80</td> <td>4000</td> </tr> <tr> <td><input type="checkbox"/> L2L40</td> <td>86W</td> <td>7630</td> <td>80</td> <td>4000</td> </tr> <tr> <td colspan="5"><b>AMBER LED</b></td> </tr> <tr> <td><input type="checkbox"/> L2L3K2A</td> <td>21W</td> <td>529</td> <td>AMBER</td> <td></td> </tr> </tbody> </table> <table border="1"> <thead> <tr> <th colspan="5">VERY NARROW DISTRIBUTION</th> </tr> </thead> <tbody> <tr> <td><input type="checkbox"/> L2L15NR</td> <td>56W</td> <td>3144</td> <td>80</td> <td>4000</td> </tr> </tbody> </table>	SUFFIX	INPUT WATTS	DELIVERED LUMENS	CRI	CCT °K	<input type="checkbox"/> L2L15	31W	3198	80	4000	<input type="checkbox"/> L2L25	51W	5087	80	4000	<input type="checkbox"/> L2L40	86W	7630	80	4000	<b>AMBER LED</b>					<input type="checkbox"/> L2L3K2A	21W	529	AMBER		VERY NARROW DISTRIBUTION					<input type="checkbox"/> L2L15NR	56W	3144	80	4000	<b>3 REFLECTORS*</b> <input type="checkbox"/> <b>R15</b> Narrow optics 15° <input type="checkbox"/> <b>R30</b> Flood optics 30° (standard) <input type="checkbox"/> <b>R55</b> Wide flood optics 52° <small>*All reflector options listed above must be selected independently for uplight &amp; downlight. Add U (for uplight) and D (for downlight) to suffix. (i.e. R55U-R30D is 52° uplight and 30° downlight)</small>  <input type="checkbox"/> <b>R9</b> Very narrow optics 9° Field angle 18° (42,920 candela)	<b>4 VOLTAGE</b> <input type="checkbox"/> <b>120V</b> <input type="checkbox"/> 277V  Optional <input type="checkbox"/> 347V <sup>5</sup>	<b>5 FINISH</b> <b>STANDARD COLORS*</b> <input type="checkbox"/> <b>WHT</b> Snow white <input type="checkbox"/> <b>BKT</b> Jet black <input type="checkbox"/> <b>BZT</b> Bronze <input type="checkbox"/> <b>MST</b> Matte silver <input type="checkbox"/> <b>GRT</b> Titanium gray <input type="checkbox"/> <b>DGT</b> Gun metal <input type="checkbox"/> <b>CHT</b> Champagne <input type="checkbox"/> <b>SGT</b> Steel gray <input type="checkbox"/> <b>BGT</b> English cream  <b>OPTIONAL COLORS</b> <input type="checkbox"/> <b>CS</b> Custom color <input type="checkbox"/> <b>RAL</b> RAL# color  <b>NATATORIUM SUITED COLORS</b> <input type="checkbox"/> <b>NWHT</b> White <input type="checkbox"/> <b>NBKT</b> Black  <small>*Refer to color chart</small>
SUFFIX	INPUT WATTS	DELIVERED LUMENS	CRI	CCT °K																																								
<input type="checkbox"/> L2L15	31W	3198	80	4000																																								
<input type="checkbox"/> L2L25	51W	5087	80	4000																																								
<input type="checkbox"/> L2L40	86W	7630	80	4000																																								
<b>AMBER LED</b>																																												
<input type="checkbox"/> L2L3K2A	21W	529	AMBER																																									
VERY NARROW DISTRIBUTION																																												
<input type="checkbox"/> L2L15NR	56W	3144	80	4000																																								

## OPTIONS

### ELECTRICAL

- FS** Fuse
- PH** Photocell<sup>1</sup>
- 347L** Step down transformer for 347V input
- DS** Dual circuit switching (independent uplight & downlight control)
- MS** PIR Motion sensor (Device is located at bottom of luminaire wall box)<sup>4</sup>
- REML2-50** 7W remote emergency battery backup for LED, 90 min. Remote mount 50ft - 12" (305mm) square enclosure with access cover<sup>2</sup>

### ACCESSORIES

All options listed below must be selected independently for uplight & downlight. Add U (for uplight) and D (for downlight) to suffix.

- HL** Hexcell louver
- SL** Solite lens (light loss factor [LLF]: 0.9)
- LSL** Linear spread lens (Asymmetric lens distribution is achieved when light module is tilted)

### LIGHT & OPTICS

Alternate CCT °K LED (LCF: Lumen conversion factor)

- 2K27** 2700K CCT 80 CRI (LCF: 0.91)<sup>6</sup>
  - 2K3** 3000K CCT 80 CRI (LCF: 0.94)
  - 2K35** 3500K CCT 80 CRI (LCF: 0.983)<sup>6</sup>
  - A360** 360° adjustable rotation
  - RG** Regressed light module<sup>3</sup>
- NOTE: Other CCT & higher CRI available, please consult factory.

### MOUNTING

- SWK** Adaptor box for surface 3/4" conduit feed (4 sides plus back entry)

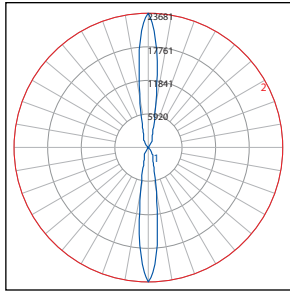
### FAUX WOOD COLORS<sup>7</sup>

- |  |  |
|--|--|
| <input type="checkbox"/> <b>ADG</b> American douglas | <input type="checkbox"/> <b>MPL</b> Maple    |
| <input type="checkbox"/> <b>BRC</b> Birch            | <input type="checkbox"/> <b>OFL</b> Oak      |
| <input type="checkbox"/> <b>CHN</b> Chestnut         | <input type="checkbox"/> <b>RSW</b> Rosewood |
| <input type="checkbox"/> <b>CRY</b> Cherry           | <input type="checkbox"/> <b>TEK</b> Teak     |
| <input type="checkbox"/> <b>KNP</b> Knotty pine      | <input type="checkbox"/> <b>WLN</b> Walnut   |

### NOTES

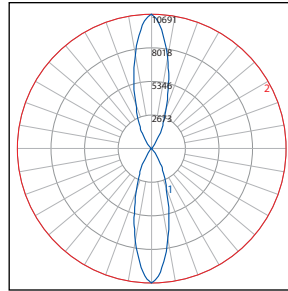
- 1- Photocell (PH) not available with REML2-50 option.
- 2- The remote enclosure must be interior. Battery powers downlight module, unless otherwise requested (only one module is powered by the emergency battery).
- 3- Cylindrical housing extended by 1.1" (27.9mm) per light module for increased cut-off.
- 4- PIR Motion sensor (MS) not available with REML2-50 option.
- 5- 347V not compatible with Amber LED L1L3K2A.
- 6- 2K27 and 2K35 options not available with the R9 optics.
- 7- Faux wood finish not applied to driver housing, lens frame or accessories.

## TYPICAL PHOTOMETRY SUMMARY



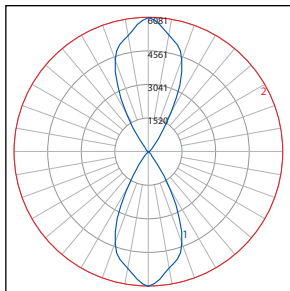
### Descriptive Information

SY602-L2L40-R15  
 Total Lms: 7435 Lumens  
 Total Input Watts: 86 W  
 Efficacy: 87 Lumens/Watt  
 BUG: B3-U5-G0  
 CCT/CRI: 4000K/80  
 Maximum Candela: 23681 @ 0 deg



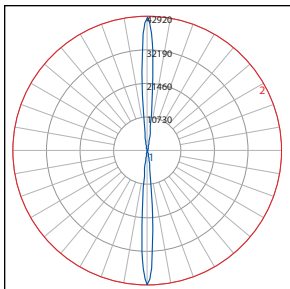
### Descriptive Information

SY602-L2L40-R30  
 Total Lms: 7630 Lumens  
 Total Input Watts: 86 W  
 Efficacy: 89 Lumens/Watt  
 BUG: B3-U5-G0  
 CCT/CRI: 4000K/80  
 Maximum Candela: 10691 @ 0 deg



### Descriptive Information

SY602-L2L40-R55  
 Total Lms: 8127 Lumens  
 Total Input Watts: 86 W  
 Efficacy: 95 Lumens/Watt  
 BUG: B3-U5-G0  
 CCT/CRI: 4000K/80  
 Maximum Candela: 6081 @ 0 deg



### Descriptive Information

SY602-L2L15NR-R9  
 Total Lms: 3144 Lumens  
 Total Input Watts: 56 W  
 Efficacy: 57 Lumens/Watt  
 BUG: B2-U5-G0  
 CCT/CRI: 4000K/80  
 Maximum Candela: 42920 @ 0 deg

Please visit our web site [www.luminis.com](http://www.luminis.com) for complete I.E.S. formatted download data.



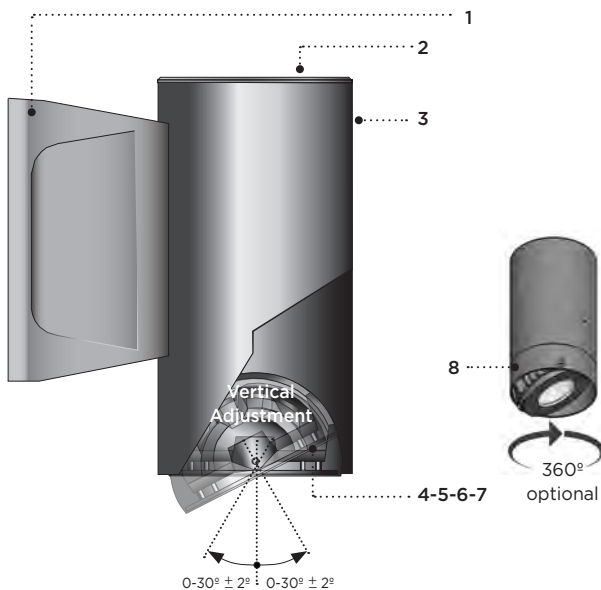
**PROPOSED SCONCE LIGHT AT SINGLE-STORY BRICK.**



**SY600** SERIES  
**SYRIOS - LED**  
6" WALL UP OR DOWN LIGHT

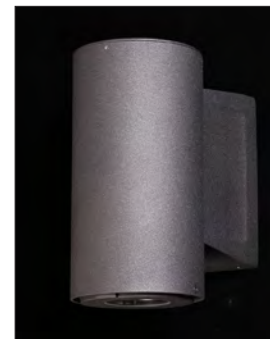
TYPE: \_\_\_\_\_ QUANTITY: \_\_\_\_\_ PROJECT: \_\_\_\_\_

CATALOG NUMBER: [ ] [ ] [ ] [ ] [ ] [ ] [ ] [ ] [ ]  
FIXTURE SUFFIX REFLECTOR VOLTAGE FINISH OPTION OPTION OPTION



- 1- Cast aluminum driver housing. Includes galvanized steel wall mount pressure plate.
- 2- Cast aluminum ventilated top cover.
- 3- Seamless extruded aluminum cylindrical housing.
- 4- Fully sealed cast aluminum light assembly.
- 5- Sealed cast aluminum lens frame.
- 6- Clear tempered glass lens.
- 7- Faceted specular aluminum reflector.
- 8- Optional 360° adjustable rotation.

SY600



All stainless steel hardware.

**Syrios LED** light module is designed with a tilting mechanism allowing forward and back light adjustability. The  $\pm 30^\circ$  directional module allows to aim the light beam in the desired direction, without disturbing the luminaire mounting. The module can be secured using the built in locking mechanism.

Fully adjustable 360° rotation also available, see option A360.

Other adjustment factory set positions are available. Please consult factory.

**MATERIALS**

**Syrios LED** is made of corrosion resistant 356 aluminum alloy with a copper (CU) content of less than 0.1%. The main housing is made of seamless extruded aluminum, with an integrally sealed LED light module designed for optimal heat dissipation, and lighting performance.

**Syrios LED** is standard with a unique proprietary design allowing the sealed LED module to tilt within the cylindrical housing.

The top cast aluminum cover includes ventilation slots allowing air circulation and cooling of assembly.

**Syrios LED SY600** series is standard with 30° optic. See options section for alternate selection.

**ELECTRICAL**

**DRIVER** Standard driver is 0-10V dimming-ready (dims to 10%) with: 120-277 multi-volt compatibility (50-60Hz), operating temperature range of -40°C/-40°F to 55°C/131°F, output over voltage protection, output over current protection and output short circuit protection with auto-recovery.

**LED** Standard 4000K/80CRI. Optional 2700K, 3000K & 3500K. Optional Amber LED for turtle sensitive areas. Wavelengths: 584.5nm to 597nm.

**LIFE**

60,000hrs  $L_{70}B_{50}$  (based on IESNA TM-21 Test Method and LM-80 data). Up to 70,000hrs  $L_{70}B_{50}$  (calculated projection from LM-80 data).

**FINISH**

Five-stage preparation process including preheating of cast aluminum parts for air extraction, and an environmentally friendly alloy sealant. Polyester powder coating is applied through an electrostatic process and oven cured for long term finish.

**MOUNTING**

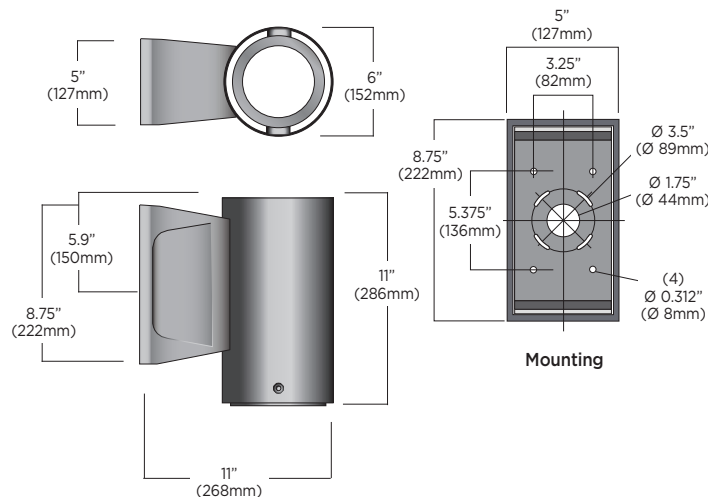
Maximum weight: 9 lbs (4.1 kg)

The mounting plate is designed to fit on a 4" (102mm) octagonal electrical box using 3 1/2" (89mm) C/C mounting holes.

Additional mounting holes are provided as per site requirements.

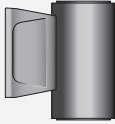
**CERTIFICATION**

Tested to UL1598 and CSA 22.2 #250. cULus listed wet location. Rated IP66.



Jan. 2021 Rev. 3

## LUMINAIRE SELECTION

<b>1 MODEL#</b>  <input type="checkbox"/> SY600	<b>2 LED LIGHT SELECTION</b> <table border="1"> <thead> <tr> <th>SUFFIX</th> <th>INPUT WATTS</th> <th>DELIVERED LUMENS</th> <th>CRI</th> <th>CCT °K</th> </tr> </thead> <tbody> <tr> <td><input type="checkbox"/> L1L15</td> <td>15W</td> <td>1599</td> <td>80</td> <td>4000</td> </tr> <tr> <td><input type="checkbox"/> L1L25</td> <td>26W</td> <td>2543</td> <td>80</td> <td>4000</td> </tr> <tr> <td><input type="checkbox"/> L1L40</td> <td>48W</td> <td>4102</td> <td>80</td> <td>4000</td> </tr> </tbody> </table> <p><b>AMBER LED IDA - Dark Sky Approved</b></p> <table border="1"> <tbody> <tr> <td><input type="checkbox"/> L1L3K2A</td> <td>11W</td> <td>263</td> <td>AMBER</td> <td></td> </tr> </tbody> </table> <table border="1"> <thead> <tr> <th colspan="5">VERY NARROW DISTRIBUTION</th> </tr> </thead> <tbody> <tr> <td><input type="checkbox"/> L1L20NR</td> <td>31W</td> <td>1690</td> <td>80</td> <td>4000</td> </tr> </tbody> </table>	SUFFIX	INPUT WATTS	DELIVERED LUMENS	CRI	CCT °K	<input type="checkbox"/> L1L15	15W	1599	80	4000	<input type="checkbox"/> L1L25	26W	2543	80	4000	<input type="checkbox"/> L1L40	48W	4102	80	4000	<input type="checkbox"/> L1L3K2A	11W	263	AMBER		VERY NARROW DISTRIBUTION					<input type="checkbox"/> L1L20NR	31W	1690	80	4000	<b>3 REFLECTORS*</b> <input type="checkbox"/> <b>R15</b> Narrow optics 15° <input type="checkbox"/> <b>R30</b> Flood optics 30° (standard) <input type="checkbox"/> <b>R55</b> Wide flood optics 52° <small>*Depending on direction fixture is installed add U (for uplight) or D (for downlight) to suffix for all reflectors listed above. (i.e. R55U is 52° uplight)</small>  <input type="checkbox"/> <b>R9</b> Very narrow optics 9° Field angle 18° (46,151 candela)	<b>4 VOLTAGE</b> <input type="checkbox"/> 120V <input type="checkbox"/> 277V Optional <input type="checkbox"/> 347V <sup>5</sup>	<b>5 FINISH</b> <b>STANDARD COLORS*</b> <input type="checkbox"/> <b>WHT</b> Snow white <input type="checkbox"/> <b>BKT</b> Jet black <input type="checkbox"/> <b>BZT</b> Bronze <input type="checkbox"/> <b>MST</b> Matte silver <input type="checkbox"/> <b>GRT</b> Titanium gray <input type="checkbox"/> <b>DGT</b> Gun metal <input type="checkbox"/> <b>CHT</b> Champagne <input type="checkbox"/> <b>SGT</b> Steel gray <input type="checkbox"/> <b>BGT</b> English cream  <b>OPTIONAL COLORS</b> <input type="checkbox"/> <b>CS</b> Custom color <input type="checkbox"/> <b>RAL</b> RAL# color  <b>NATATORIUM SUITED COLORS</b> <input type="checkbox"/> <b>NWHT</b> White <input type="checkbox"/> <b>NBKT</b> Black  <small>*Refer to color chart</small>
SUFFIX	INPUT WATTS	DELIVERED LUMENS	CRI	CCT °K																																			
<input type="checkbox"/> L1L15	15W	1599	80	4000																																			
<input type="checkbox"/> L1L25	26W	2543	80	4000																																			
<input type="checkbox"/> L1L40	48W	4102	80	4000																																			
<input type="checkbox"/> L1L3K2A	11W	263	AMBER																																				
VERY NARROW DISTRIBUTION																																							
<input type="checkbox"/> L1L20NR	31W	1690	80	4000																																			

## OPTIONS

### ELECTRICAL

- FS** Fuse
- PH** Photocell<sup>1</sup>
- 347L** Step down transformer for 347V input
- MS** PIR Motion sensor (Device is located at bottom of luminaire wall box)<sup>4</sup>
- REML2-50** 7W remote emergency battery backup for LED, 90 min. Remote mount 50ft - 12" (305mm) square enclosure with access cover<sup>2</sup>

### MOUNTING

- SWK** Adaptor box for surface 3/4" conduit feed (4 sides plus back entry)
- UP** Option required for uplight installation

### NOTES

- 1- Photocell (PH) not available with REML2-50 option.
- 2- The remote enclosure must be interior.
- 3- Cylindrical housing extended by 1" (25.4mm) for increased cut-off.)
- 4- PIR Motion sensor (MS) not available with REML2-50 option.
- 5- 347V not compatible with Amber LED L1L3K2A.
- 6- K27 and K35 options not available with the R9 optics.
- 7- Faux wood finish not applied to driver housing, lens frame or accessories.

### LIGHT & OPTICS

- Alternate CCT °K LED (LCF: Lumen conversion factor)
- K27** 2700K CCT 80 CRI (LCF: 0.91)<sup>6</sup> IDA - Dark Sky Approved
  - K3** 3000K CCT 80 CRI (LCF: 0.94)<sup>6</sup> IDA - Dark Sky Approved
  - K35** 3500K CCT 80 CRI (LCF: 0.983)

NOTE: Other CCT & higher CRI available, please consult factory.

- A360** 360° adjustable rotation
- RG** Regressed light module<sup>3</sup>

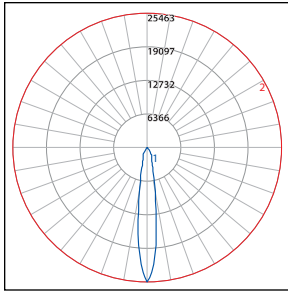
### ACCESSORIES

- HL** Hexcell louver
- SL** Solite lens (light loss factor [LLF]: 0.9)
- LSL** Linear spread lens (Asymmetric lens distribution is achieved when light module is tilted)

### FAUX WOOD COLORS<sup>7</sup>

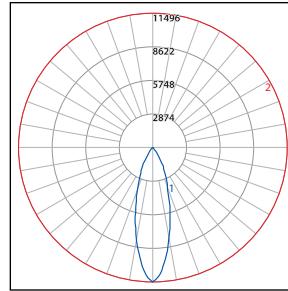
- |  |  |
|--|--|
| <input type="checkbox"/> <b>ADG</b> American douglas | <input type="checkbox"/> <b>MPL</b> Maple    |
| <input type="checkbox"/> <b>BRC</b> Birch            | <input type="checkbox"/> <b>OFL</b> Oak      |
| <input type="checkbox"/> <b>CHN</b> Chestnut         | <input type="checkbox"/> <b>RSW</b> Rosewood |
| <input type="checkbox"/> <b>CRY</b> Cherry           | <input type="checkbox"/> <b>TEK</b> Teak     |
| <input type="checkbox"/> <b>KNP</b> Knotty pine      | <input type="checkbox"/> <b>WLN</b> Walnut   |

## TYPICAL PHOTOMETRY SUMMARY



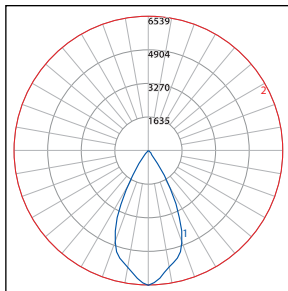
### Descriptive Information

SY600-L1L40-R15  
 Total Lms: 3998 Lumens  
 Total Input Watts: 48 W  
 Efficacy: 83 Lumens/Watt  
 BUG: B3-UO-GO  
 CCT/CRI: 4000K/80  
 Maximum Candela: 25463 @ 0 deg



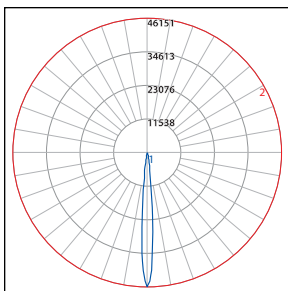
### Descriptive Information

SY600-L1L40-R30  
 Total Lms: 4102 Lumens  
 Total Input Watts: 48 W  
 Efficacy: 85 Lumens/Watt  
 BUG: B3-UO-GO  
 CCT/CRI: 4000K/80  
 Maximum Candela: 11496 @ 0 deg



### Descriptive Information

SY600-L1L40-R55  
 Total Lms: 4369 Lumens  
 Total Input Watts: 48 W  
 Efficacy: 91 Lumens/Watt  
 BUG: B3-UO-GO  
 CCT/CRI: 4000K/80  
 Maximum Candela: 6539 @ 0 deg



### Descriptive Information

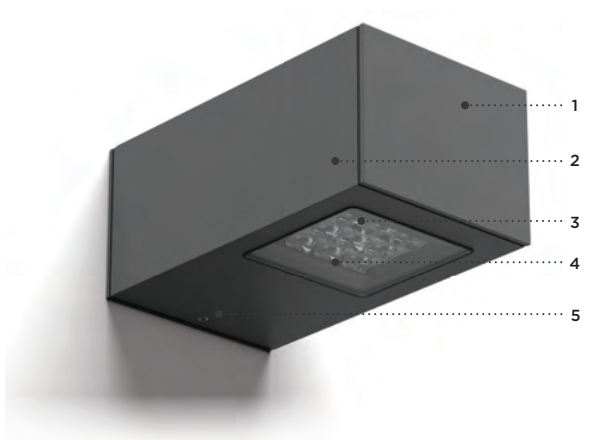
SY600-L1L20NR-R9  
 Total Lms: 1690 Lumens  
 Total Input Watts: 31 W  
 Efficacy: 55 Lumens/Watt  
 BUG: B2-UO-GO  
 CCT/CRI: 4000K/80  
 Maximum Candela: 46151 @ 0 deg

Please visit our web site [www.luminis.com](http://www.luminis.com) for complete I.E.S. formatted download data.

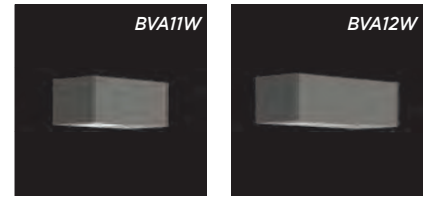
TYPE: \_\_\_\_\_ QUANTITY: \_\_\_\_\_ PROJECT: \_\_\_\_\_

CATALOG NUMBER:

MODEL LED LIGHT SELECTION CCT VOLTAGE FINISH OPTION OPTION OPTION



- 1- Front cover constructed of corrosion resistant aluminum.
- 2- 4.5" (114mm) x 6" (152mm) Extruded aluminum optical chamber.
- 3- Available in configurations of 9 LEDs or 18 LEDs
- 4- Clear tempered glass.
- 5- All stainless steel hardware.



**MATERIALS**

Bellevue wall mount is made of 6063-T6 extruded aluminum alloy. LED board is assembled on a thick extruded aluminum profile and protected by a clear tempered glass. The acrylic optics provide a wide range of IES type distribution. The driver is mounted inside the fixture for ease of maintenance.

**ELECTRICAL**

**DRIVER** Standard driver is 120-277V multi-volt compatibility (50-60Hz), 0-10V dimming-ready (dims to 10%). Optional 347/480V, operating temperatures of -40°C/-40°F to 55°C/131°F, output over voltage protection, output over current protection, output short circuit protection with auto-recovery.

**LED** Type I, II, III, IV light distribution via high performance optical lenses. Offered in 2700K, 3000K, 3500K, 4000K / 80 CRI. Optional true amber LED for turtle sensitive areas. Wavelengths: 584.5nm to 597nm.

**LIFETIME**

60,000hrs L<sub>70</sub>B<sub>50</sub> (based on LM-80 report for lumen maintenance)

**FINISH**

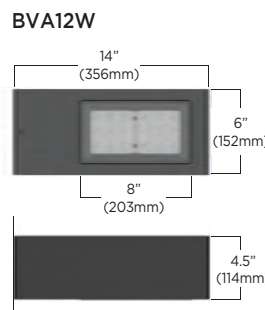
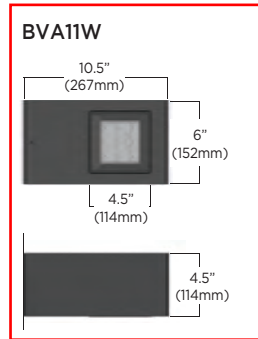
Polyester powder coating is applied through an electrostatic process, and oven cured for long term finish.

**CERTIFICATION**

Tested to UL1598 and CSA 22.2 #250. cULus listed wet location. Photometric testing performed by an independent laboratory in accordance with IES LM-79-08 standards at 25°C. Lumen depreciation in accordance with IESNA LM80 standards. Rated IP65. Rated IK10.

**MOUNTING**

Maximum weight: 11 lbs (5.0 kg)  
Bellevue wall mount is designed for ease of access and installation. The head is secured on a mounting plate by one set screw. The mounting plate is designed to fit on a 4" (102mm) octagonal electrical box. Fixture lighting must point to the ground at all time.

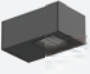


# BVA11W/BVA12W SERIES

## Bellevue - LED

### LUMINAIRE SELECTION - BVA11W/BVA12W

**1 MODEL**



BVA11W

**2 LED LIGHT SELECTION**

**WHITE LED SELECTION**

TYPE	SUFFIX	DELIVERED LUMENS*	INPUT WATTS
TYPE I	<input type="checkbox"/> L1L10-TYP1	1205	11
	<input type="checkbox"/> L1L16-TYP1	1846	19
	<input type="checkbox"/> L1L24-TYP1	2635	30
TYPE II	<input type="checkbox"/> L1L10-TYP2	1072	11
	<input type="checkbox"/> L1L16-TYP2	1643	19
	<input type="checkbox"/> L1L24-TYP2	2345	30
TYPE III	<input type="checkbox"/> L1L10-TYP3	977	11
	<input type="checkbox"/> L1L16-TYP3	1497	19
	<input type="checkbox"/> L1L24-TYP3	2137	30
TYPE IV	<input type="checkbox"/> L1L10-TYP4	904	11
	<input type="checkbox"/> L1L16-TYP4	1384	19
	<input type="checkbox"/> L1L24-TYP4	1976	30

\*4000K / 80CRI

**AMBER LED SELECTION - TURTLE FRIENDLY**

TYPE	SUFFIX	DELIVERED LUMENS	INPUT WATTS
TYPE I	<input type="checkbox"/> L1LK2A-TYP1	349	8
TYPE II	<input type="checkbox"/> L1LK2A-TYP2	311	8
TYPE III	<input type="checkbox"/> L1LK2A-TYP3	283	8
TYPE IV	<input type="checkbox"/> L1LK2A-TYP4	262	8

**3 CCT %K LED**

TEMPERATURE\*

- K27 2700K
- K30 3000K
- K35 3500K
- K40 4000K

\*80CRI

**4 VOLTAGE <sup>1</sup>**

STANDARD

- 120V
- 208V
- 240V
- 277V

OPTIONAL

- 347V
- 480V

**5 FINISH**

STANDARD COLORS

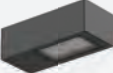
- WHT Snow white
- BKT Jet black
- BZT Bronze
- MST Matte silver
- GRT Titanium gray
- DGT Gun metal
- CHT Champagne
- SGT Steel gray
- BGT English cream

OPTIONAL COLORS

- CS Custom color
- RAL RAL# color

\*Refer to color chart

**1 MODEL**



BVA12W

**2 LED LIGHT SELECTION**

**WHITE LED SELECTION**

TYPE	SUFFIX	DELIVERED LUMENS*	INPUT WATTS
TYPE I	<input type="checkbox"/> L2L26-TYP1	2957	29
	<input type="checkbox"/> L2L34-TYP1	3692	38
	<input type="checkbox"/> L2L40-TYP1	4248	46
TYPE II	<input type="checkbox"/> L2L26-TYP2	2632	29
	<input type="checkbox"/> L2L34-TYP2	3285	38
	<input type="checkbox"/> L2L40-TYP2	3780	46
TYPE III	<input type="checkbox"/> L2L26-TYP3	2398	29
	<input type="checkbox"/> L2L34-TYP3	2994	38
	<input type="checkbox"/> L2L40-TYP3	3445	46
TYPE IV	<input type="checkbox"/> L2L26-TYP4	2218	29
	<input type="checkbox"/> L2L34-TYP4	2769	38
	<input type="checkbox"/> L2L40-TYP4	3186	46

\*4000K / 80CRI

**AMBER LED SELECTION - TURTLE FRIENDLY**

TYPE	SUFFIX	DELIVERED LUMENS	INPUT WATTS
TYPE I	<input type="checkbox"/> L2LK2A-TYP1	698	16
TYPE II	<input type="checkbox"/> L2LK2A-TYP2	621	16
TYPE III	<input type="checkbox"/> L2LK2A-TYP3	566	16
TYPE IV	<input type="checkbox"/> L2LK2A-TYP4	524	16

**3 CCT %K LED**

TEMPERATURE\*

- K27 2700K
- K30 3000K
- K35 3500K
- K40 4000K

\*80CRI

**4 VOLTAGE <sup>1</sup>**

STANDARD

- 120V
- 208V
- 240V
- 277V

OPTIONAL

- 347V
- 480V

**5 FINISH**

STANDARD COLORS

- WHT Snow white
- BKT Jet black
- BZT Bronze
- MST Matte silver
- GRT Titanium gray
- DGT Gun metal
- CHT Champagne
- SGT Steel gray
- BGT English cream

OPTIONAL COLORS

- CS Custom color
- RAL RAL# color

\*Refer to color chart



# BVA11W/BVA12W SERIES

## Bellevue - LED

### OPTIONS

- PHOTOCELL**
- PH Thermal button photocell mounted on top casted housing (as shown on image). Instant turn-on, standard 5-10 second turn-off time delay.
- FUSE SAFETY**
- FS Fuse
- SURGE PROTECTOR**
- SP 10kV surge protector

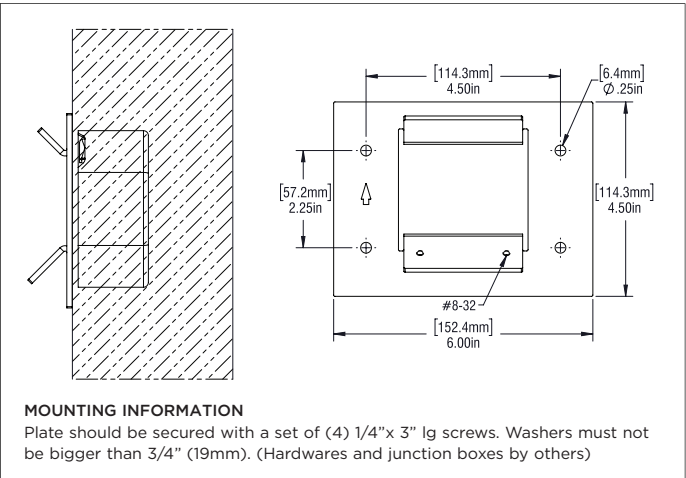
- MOUNTING BOX**
- SWK Surface wall mounting option for Ø4" weatherproof surface junction box (3/4" Conduit trade size) (weatherproof junction box, conduit and adaptor by others)  
Supplied with 5x18AWG/36" lg. wiring (longer wires to be specified).

- ENVIRONMENT**
- MG Marine grade paint<sup>2</sup>
  - NT Natatorium (only available in WHT and BKT)

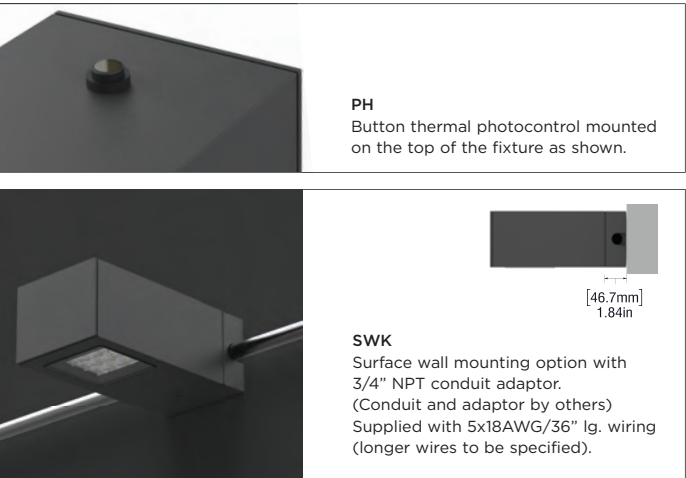
**NOTES**

- 1- If no voltage is specified, luminaires are factory prewired by default for 120V. For other voltages, please specify with catalog number, or consult factory.
- 2- Marine grade paint for harsh, coastal environment and exposure to salt water. Longer lead time may apply please contact factory for info.

### MOUNTING INFORMATION



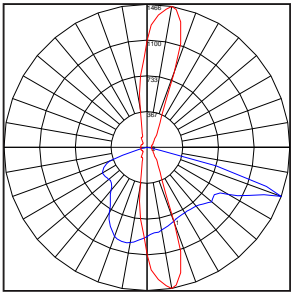
### OPTIONS DETAILS



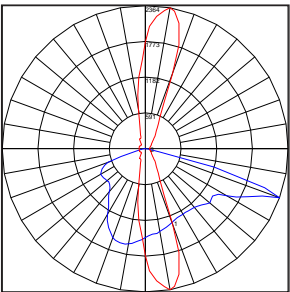
# BVA11W/BVA12W SERIES

## Bellevue - LED

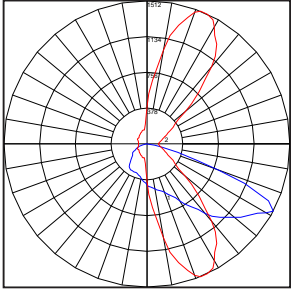
### TYPICAL PHOTOMETRY SUMMARY



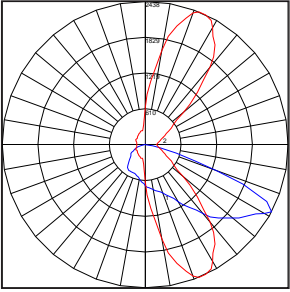
**BVA11W-L1L24-TYP1**  
 Delivered lumens : 2635 lumens  
 Power consumption 30.5W  
 Efficacy : 87 Lumens/Watt  
 Maximum Candela : 1466 @ 80°H/70°V  
 BUG : B1-U0-G1



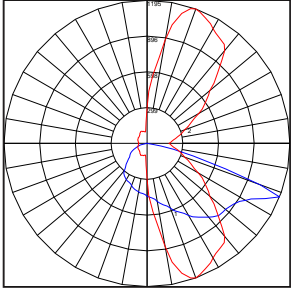
**BVA12W-L2L40-TYP1**  
 Delivered lumens : 4274 lumens  
 Power consumption 46.3W  
 Efficacy : 92 Lumens/Watt  
 Maximum Candela : 2364 @ 80°H/70°V  
 BUG : B2-U0-G1



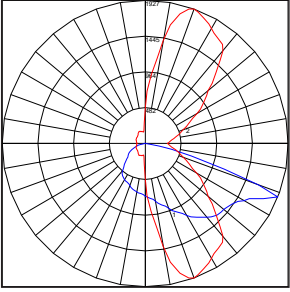
**BVA11W-L1L24-TYP2**  
 Delivered lumens : 2345 lumens  
 Power consumption 30.5W  
 Efficacy : 77 Lumens/Watt  
 Maximum Candela : 1195 @ 68°H/62°V  
 BUG : B1-U0-G0



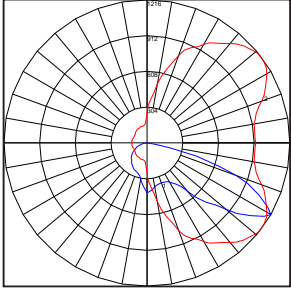
**BVA12W-L2L40-TYP2**  
 Delivered lumens : 3780 lumens  
 Power consumption 46.3W  
 Efficacy : 81 Lumens/Watt  
 Maximum Candela : 2438 @ 68°H/62°V  
 BUG : B1-U0-G1



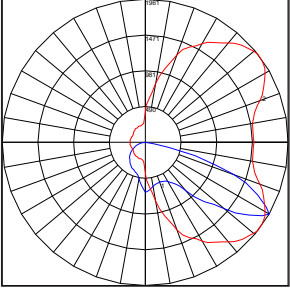
**BVA11W-L1L24-TYP3**  
 Delivered lumens : 2145 lumens  
 Power consumption 30.5W  
 Efficacy : 70 Lumens/Watt  
 Maximum Candela : 1195 @ 70°H/68°V  
 BUG : B1-U0-G0



**BVA12W-L2L40-TYP3**  
 Delivered lumens : 3445 lumens  
 Power consumption 46.3W  
 Efficacy : 75 Lumens/Watt  
 Maximum Candela : 1937 @ 70°H/68°V  
 BUG : B1-U0-G1



**BVA11W-L1L24-TYP4**  
 Delivered lumens : 1976 lumens  
 Power consumption 30.5W  
 Efficacy : 65 Lumens/Watt  
 Maximum Candela : 1216 @ 38°H/60°V  
 BUG : B1-U0-G1



**BVA12W-L2L40-TYP4**  
 Delivered lumens : 3186 lumens  
 Power consumption 46.3W  
 Efficacy : 69 Lumens/Watt  
 Maximum Candela : 1961 @ 38°H/60°V  
 BUG : B1-U0-G1

LUMEN CONVERSION FACTOR (LCF)

CCT	LCF	CRI
2700K	0.91	80
3000K	0.94	80
3500K	0.98	80
4000K	1.00	80

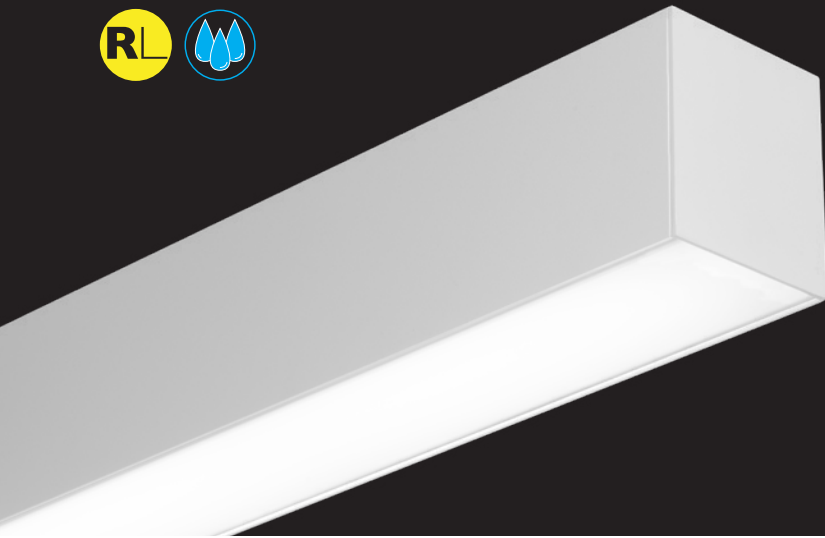
All Photometry shown use the Standard 80CRI 4000K LEDs.  
 Please visit our web site [www.luminis.com](http://www.luminis.com) for complete I.E.S. formatted download data





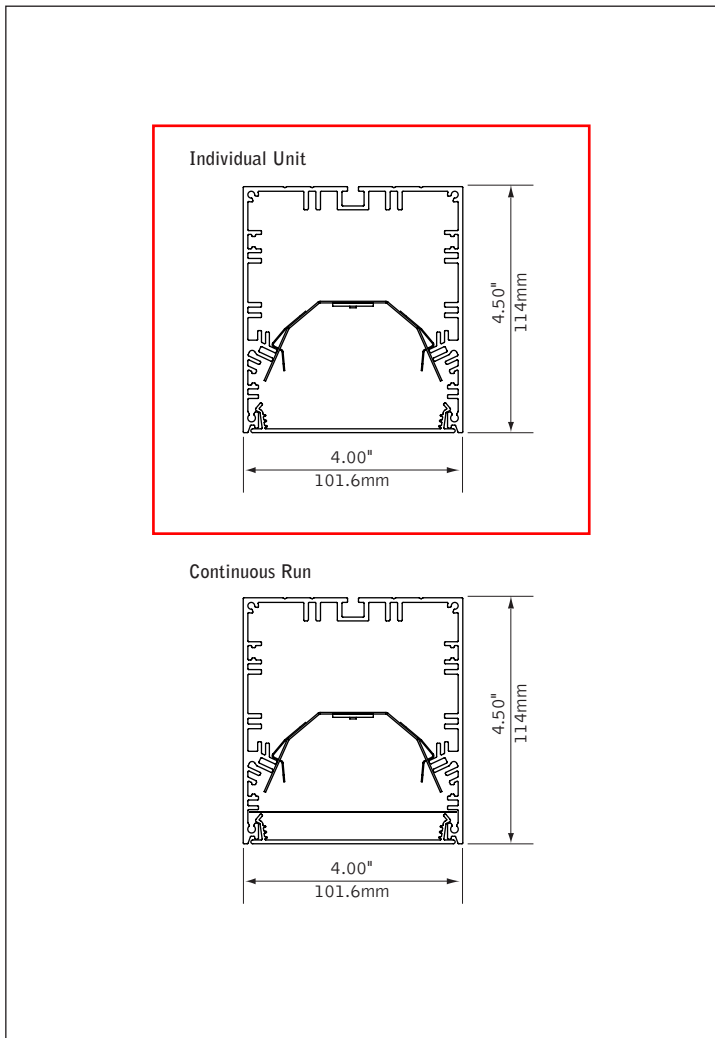
# Seem<sup>®</sup> 4

LED - SURFACE MOUNT | WET LOCATION



recessed companion

## DIMENSIONAL DATA



## FEATURES

Narrow extruded aluminum 4" linear direct LED.

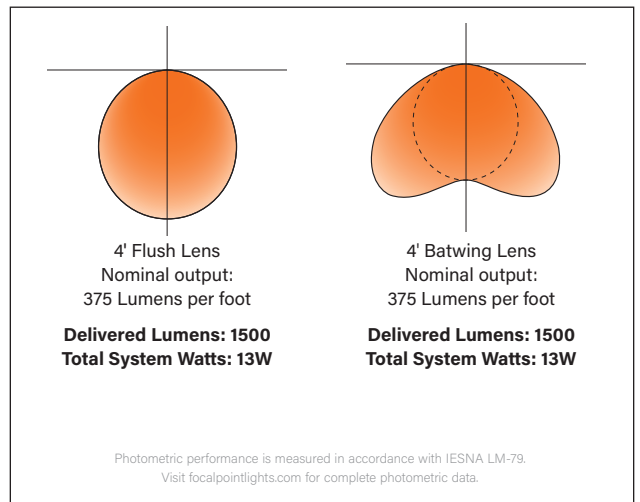
Individual units and continuous runs in 1' increments.

Frosted acrylic lens provides uninterrupted illumination, without pixels or shadows.

LED position and lens material optimized to provide the perfect blend of high performance and visual comfort.

Choice of output levels to meet a wide variety of application needs.

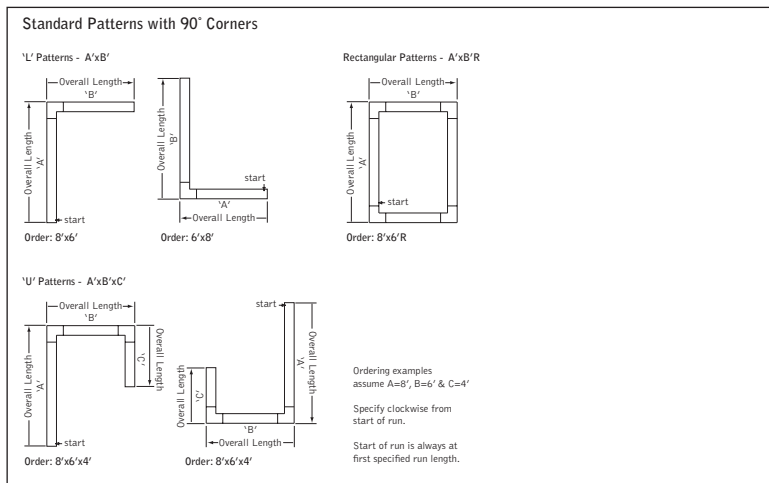
## PERFORMANCE



fixture:

project:

**DETAILS**



**SPECIFICATIONS**

**LED System**

Proprietary linear LED module incorporates premium LEDs on a robust platform to achieve excellent thermal management. LEDs are placed to promote a uniform appearance. Available in 3000K, 3500K or 4000K with CRI>80, 3 SDCM. LED modules and drivers are replaceable from below.

**Construction**

One piece extruded aluminum housing. Die cast aluminum end caps. 2' unit weight: 10 lbs., 3' unit weight: 14 lbs., 4' unit weight: 18 lbs., 5' unit weight: 22 lbs.

**Optic**

Reflectors fabricated of 22 Ga. steel finished in High Reflectance White powder coat. Extruded acrylic lens .085" thick with satin finish, up to 8' continuous.

**Electrical**

Luminaires are pre-wired with factory installed branch circuit wiring and over-molded quick connects. Standard 120-277V constant current driver includes 0-10V analog dimming. Dimming range 100% to 10%. Power factor > .9.

**Emergency**

Output - 10 watts for 90 minutes. Maximum mounting height: 19.2ft.

**Labels**

UL and cUL Listed. Suitable for Dry, Damp or Wet Locations, indoor use only. Specify Outdoor rated (OD) for outdoor covered ceiling applications.

**Finish**

Polyester powder coat applied over a multi-stage pre-treatment. Canopy and cord white as standard.

**Lumen Maintenance**

Reported: L70 > 61,000 hours      Calculated: L70 at > 480,000 hours  
 L90 > 61,000 hours                      L90 at > 128,000 hours  
 (Derived from EPA TM-21 calculator. Based on typical conditions, consult factory for additional data.)

**Reliability**

At Focal Point, our products are designed to stand the test of time. Each luminaire is engineered using superior components, manufactured with the utmost care and rigorously tested. Contact us for reliability data.

**Warranty**

LED System rated for operation in ambient environments up to 25°C. 5-year limited warranty. Fixture with Outdoor rated (OD) option must be installed in a covered ceiling and is warranted for operation in ambient environments between -20°C to +40°C.

**4' PERFORMANCE CHART**

Lumens Output	Delivered Lumens	Tested System Watts	LPW	
			BW	FL
275	1100	10	104	100
375	1500	13	113	108
625	2500	22	112	107
875	3500	32	109	105
1000	4000	37	109	104
1125	4500	44	108	104
1250	5000	49	107	102

Based on 3500K, 80 CRI, 4' lengths. Lumen multiplier: Wet Location = 0.92. Lumen output may vary +/- 5%. Actual wattage may vary +/- 5%.

**ORDERING**

<b>Luminaire Series</b>	<b>FSM4LWLS</b>
Seem 4 LED Wet Location	FSM4LWLS
<b>Shielding</b>	
Batwing Lens	BW
Flush Satin Lens	FL
<b>Lumen Output</b>	
275 Lumens per foot (LD1 & L11 only)	275LF
375 Lumens per foot (LD1 & L11 only)	375LF
625 Lumens per foot (3' minimum with LH1)	625LF
875 Lumens per foot	875LF
1000 Lumens per foot	1000LF
1125 Lumens per foot	1125LF
1250 Lumens per foot	1250LF
<b>Color Temperature</b>	
<del>3000K, 80+ CRI, 30K</del>	
3500K, 80+ CRI	35K
4000K, 80+ CRI	40K
<b>Circuits &amp; Zones</b>	
1 Circuit, non-emergency	1C
Consult Ordering Guide on page 3 for multiple circuiting and zoning options	_C_Z_DL
<b>Voltage</b>	<b>UNV</b>
120/277 UNV Volt	UNV
<b>Control System &amp; Dimming Level</b>	
0-10V - 10% Dimming	LD1
0-10V - 1% Dimming	L11
Lutron Hi-Lume EcoSystem (LDE1) - 1% Dimming (3' minimum length)	LH1
<b>Mounting</b>	<b>SM</b>
Surface Mount	SM
<b>Factory Options</b>	
(See Ordering Guide on page 3 for ordering details for DC, EC, EM & ECD.)	
Daylight Circuit	_DC
Emergency Circuit	_EC
Emergency Battery Pack†	_EM
Emergency Control Device†	_ECD
†(4' minimum. 120/277 Volt only. EM or ECD not available at corners.)	
<b>Outdoor Rated</b>	<b>OD</b>
(LD1 only. Not available with EM.)	
<b>CUSTOM BLACK FINISH</b>	
<b>Luminaire Length</b>	
Specify luminaire/row length in 1' increments (2' minimum length.)	X'
<b>Pattern Options</b>	
(3' minimum length)	
'L' pattern	A' x B'
'U' pattern	A' x B' x C'
Rectangular pattern	A' x B'R

# Ordering Guide

Linear Circuitry, Zones & Factory Options



## HOW TO USE THIS GUIDE

Fill out the worksheet on the following page to specify your requirements for circuitry, zones, and factory options.

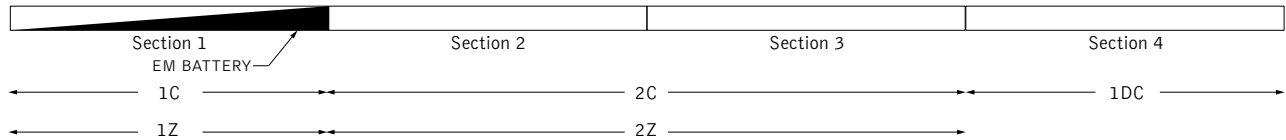
Refer to the run chart for standard run configurations, consult factory for custom configurations.

Complete the Totals / Ordering Codes at the bottom of the worksheet and add to your ordering logic on the cut sheet.

Submit the worksheet along with your order.

TOTAL RUN LENGTH: <u>32ft</u>		JOB NAME: _____			FIXTURE TYPE: _____			
HOUSING SECTION	SECTION LENGTH	SHARED ELECTRICAL FEED, NORMAL POWER			FACTORY OPTIONS			
		SWITCHING CIRCUIT	DIMMING ZONE	DAYLIGHT ZONE	SEPARATE ELECTRICAL FEEDS			EM
					DAYLIGHT CIRCUIT	EMERGENCY CIRCUIT	ECD	
1	8	1C	1Z					1EM
2	8	2C	2Z					
3	8	2C	2Z					
4	8				1DC			
<b>Totals / Ordering Codes</b>		<b>2C</b>	<b>2Z</b>		<b>1DC</b>			<b>1EM</b>

ORDERING: FSM4L-FL-625LF-35K- **2C2Z** -UNV-LD1-G2- **1DC-1EM** -WH-32ft



KEY	
<b>C = Switching Circuit</b> Switched Hot / Shared Neutral	<b>DC = Daylight Circuit</b> Switched Hot / Separate Neutral
<b>Z = Dimming Zone</b> Dimming Control Wires	<b>EC = Emergency Circuit</b> Switched Hot / Separate Neutral
<b>DL = Daylight Zone</b> Daylight Dimming Control Wires	<b>EM = Emergency Battery</b> Unswitched Hot / Shared Neutral
	<b>ECD = Emergency Control Device</b> Unswitched Hot / Separate Neutral

## DEFAULTS

- Zones and Factory Options illuminate entire sections from 4' to 8' in length.
- One shared or isolated circuit and zone required per housing section.
- Limit of one EM or ECD per housing section.
- Additional electrical feed required for applications greater than three shared circuits and zones.
- Each DC, EC and ECD require an additional electrical feed.
- ECD not available in the same housing section as EC.
- Longer lead times and additional pricing may apply for custom run configurations.

## CUSTOM LENGTHS

- If partial illumination of emergency or daylight section is required, indicate in ordering guide and add "partial illumination" in Order Notes. Drawing required.
- Engineering validation required, longer lead times may apply.

# Ordering Guide Worksheet

Linear Circuitry, Zones & Factory Options



TOTAL RUN LENGTH: _____		JOB NAME: _____			FIXTURE TYPE: _____			
HOUSING SECTION	SECTION LENGTH	SHARED ELECTRICAL FEED, NORMAL POWER			FACTORY OPTIONS			EM
		SWITCHING CIRCUIT	DIMMING ZONE	DAYLIGHT ZONE	SEPARATE ELECTRICAL FEEDS			
DAYLIGHT CIRCUIT	EMERGENCY CIRCUIT				ECD			
1								
2								
3								
4								
5								
6								
7								
8								
9								
10								
11								
12								
13								
14								
15								
16								
17								
18								
19								
20								
<b>Totals / Ordering Codes</b>		<b>_C</b>	<b>_Z</b>	<b>_DL</b>	<b>_DC</b>	<b>_EC</b>	<b>_ECD</b>	<b>_EM</b>

WORKSHEET

Combine to create Circuits & Zones ordering code

Enter as individual Factory Options

## RUN CHART

Run length (ft)	Housing Configuration Section Lengths	Run length (ft)	Housing Configuration Section Lengths	Run length (ft)	Housing Configuration Section Lengths	Run length (ft)	Housing Configuration Section Lengths
9	5 + 4	21	8 + 8 + 5	33	8 + 8 + 8 + 5 + 4	45	8 + 8 + 8 + 8 + 8 + 5
10	6 + 4	22	8 + 8 + 6	34	8 + 8 + 8 + 6 + 4	46	8 + 8 + 8 + 8 + 8 + 6
11	7 + 4	23	8 + 8 + 7	35	8 + 8 + 8 + 7 + 4	47	8 + 8 + 8 + 8 + 8 + 7
12	8 + 4	24	8 + 8 + 8	36	8 + 8 + 8 + 8 + 4	48	8 + 8 + 8 + 8 + 8 + 8
13	8 + 5	25	8 + 8 + 5 + 4	37	8 + 8 + 8 + 8 + 5		
14	8 + 6	26	8 + 8 + 6 + 4	38	8 + 8 + 8 + 8 + 6		
15	8 + 7	27	8 + 8 + 7 + 4	39	8 + 8 + 8 + 8 + 7		
16	8 + 8	28	8 + 8 + 8 + 4	40	8 + 8 + 8 + 8 + 8		
17	8 + 5 + 4	29	8 + 8 + 8 + 5	41	8 + 8 + 8 + 8 + 5 + 4		
18	8 + 6 + 4	30	8 + 8 + 8 + 6	42	8 + 8 + 8 + 8 + 6 + 4		
19	8 + 7 + 4	31	8 + 8 + 8 + 7	43	8 + 8 + 8 + 8 + 7 + 4		
20	8 + 8 + 4	32	8 + 8 + 8 + 8	44	8 + 8 + 8 + 8 + 8 + 4		

Standard run configurations, consult factory for custom configurations.