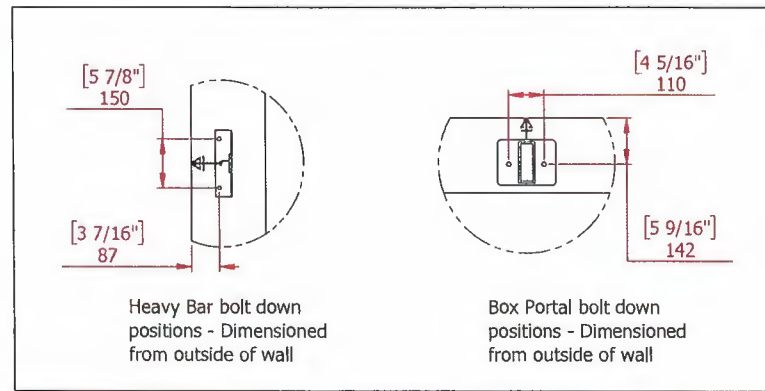
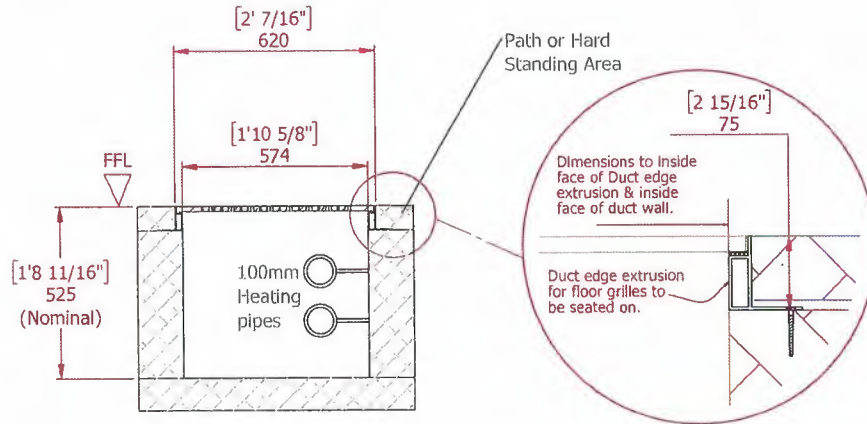
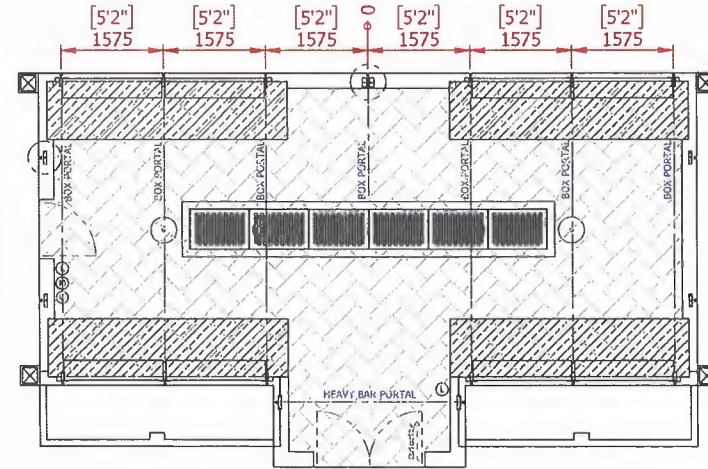
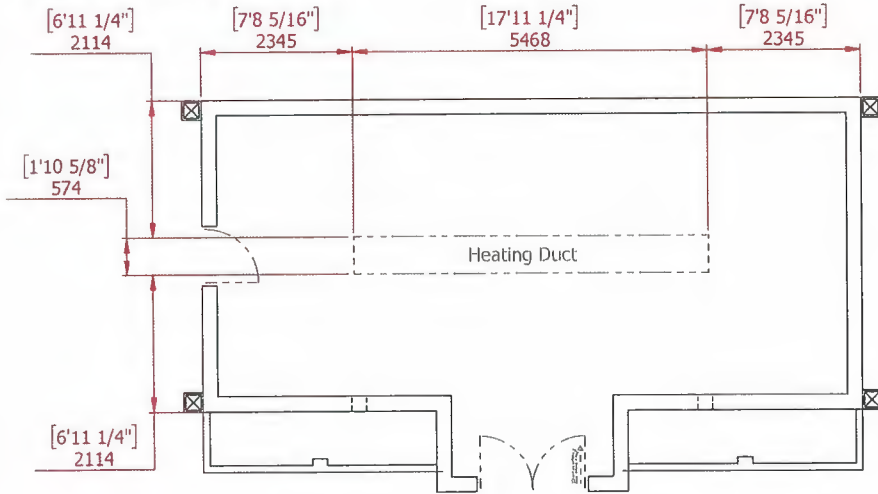


Third Angle Projection

IF IN DOUBT ASK

GROUND PLAN

ISSUED FOR BUILDING & DESIGN SPECIFICATION HAS BEEN CONFIRMED



O/L = GUTTER OUT-LET
 DIMENSIONS IN MILLIMETRES (Imperial In Brackets)
 PLEASE SEE SEPERATE GROUND PLAN NOTES DOCUMENT.
 TOLERANCE: + OR - 1/4", EXCEPT AT DOORWAY.
 * 230mm (9 1/16") - Nominal dimension, wall should be Solid with header course.
 * 102mm (4") - Nominal dimension, single course wall Coldframes & Internal Planters Only.

FFL
 ▽ FINISH FLOOR LEVEL

- ☒ DRAIN/GULLEY
- GIFFORD LIGHT
- Ⓛ LIGHT SWITCH
- Ⓜ MOTOR POSITION
- ▨ PATH
- ▨ GRAVEL/SOIL
- ▨ BENCHING
- Ⓢ CONTOLLER

The dimensions shown on this drawing are those of the required base wall. As our structures are manufactured to accommodate these dimensions the completed base MUST correspond exactly (by steel tape measure) to the measurements on this drawing. If the base wall is incorrect in any way, the expense of alterations and delay in installation etc., are the responsibility of the builder and/or the customer.

ALITEX™ GREENHOUSES AND CONSERVATORIES		TITLE		GROUND PLAN - Freestanding 45° House With 315mm Bays With Extended Lobby	
		DRAWN	DATE	SCALE	DWG NO.
AS	30/11/2021	1:75 @ A3	HOOV27946_GP	Sheet 2 of 5	-
CHECKED	MJL	CHECKED	CUSTOMER / ORDER No. Mr Hoover, 150 W. Boston Blvd 27946		