

① HEAD

② MTG RAIL

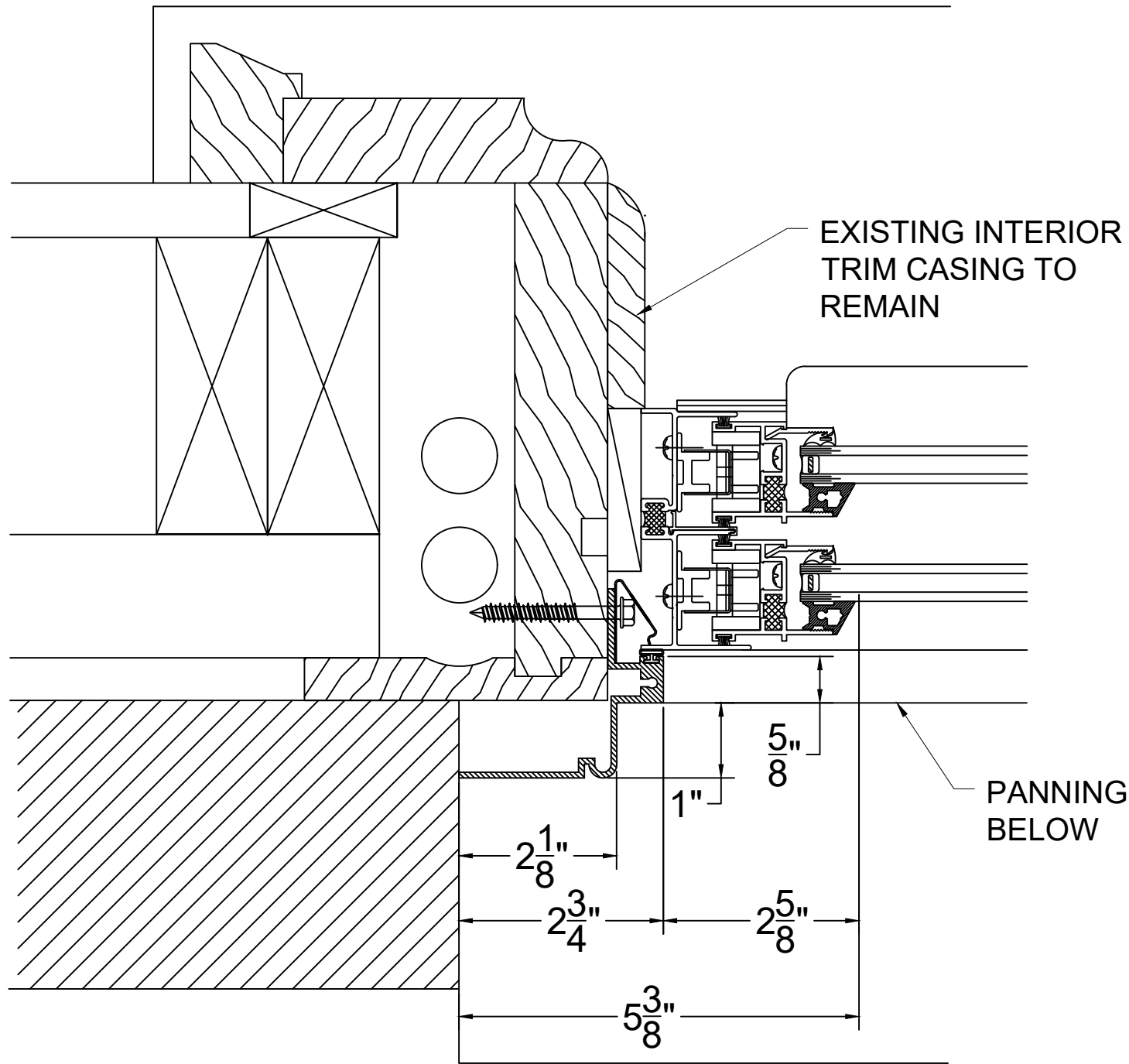
③ SILL

EXISTING INTERIOR TRIM CASING TO REMAIN. TRIM TO FIT.

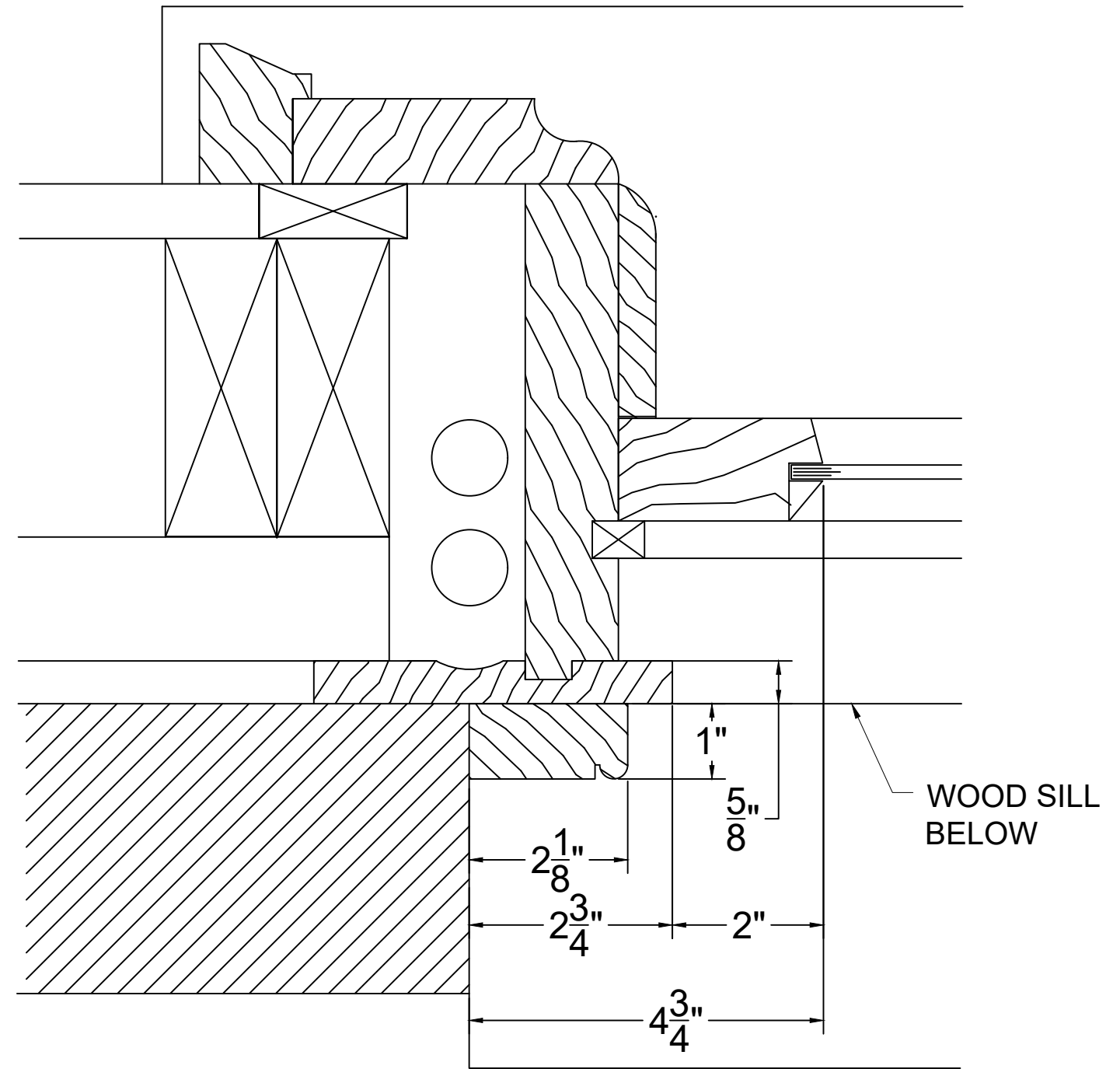
EXISTING BRICK VENEER WALL
8000H DBL HUNG

EXISTING WOOD SASH
BRICK VENEER WALL

DATE ORIGINATED: 10/15/21		DRAWN BY: RMS		CHECKED BY: RVN	
FIVE ON 8TH HOUSE					
DETROIT, MI					
SEALCRAFT By Contour Windows, Inc. 1207 Airport Dr. Shreveport, Louisiana 71107 Office: 1.800.844.4486 Fax: 318.221.7685					
REVISIONS					
REV.	DATE	DESCRIPTION	REV.	DATE	DESCRIPTION
JOB NUMBER:		REV.			
SHEET 06 OF 04					



EXISTING BRICK VENEER WALL
8000H DBL HUNG @ JAMB



EXISTING WOOD JAMB
BRICK VENEER WALL

DATE ORIGINATED: 10/15/21		DATE ORIGINATED: 10/15/21
DRAWN BY: RMS		DATE ORIGINATED: 10/15/21
CHECKED BY: RVN		DATE ORIGINATED: 10/15/21
FIVE ON 8TH HOUSE		DATE ORIGINATED: 10/15/21
DETROIT, MI		DATE ORIGINATED: 10/15/21
SEALCRAFT By Contour Windows, Inc. 1207 Airport Dr. Shreveport, Louisiana 71107 Office: 1.800.844.4486 Fax: 318.221.7685		
REVISIONS	DESCRIPTION	DATE
JOB NUMBER:	REV.	
SHEET 07 OF 04		