



Frame

- Select softwood, immersion treated with Pella's EnduraGuard® wood protection formula in accordance with WDMA I.S.-4. The EnduraGuard formula includes three active ingredients for protection against the effects of moisture, decay, stains from mold and mildew. Plus, an additional ingredient adds protection against termite damage.
- Interior exposed surfaces are [clear pine] [mahogany] [douglas fir].
- Exterior surfaces are clad with extruded aluminum.
- Components are assembled with screws, staples, and concealed corner locks.
- Curved glass stops are segmented.
- Curved head assembly shall be mitered at end where joined to non- curved frame members, screwed and sealed.
- Curved head assembly consists of solid wood core blocks bonded to stabilized wood fiber with water-resistant glue. Two sheets are laminated with veneers at interior.
- Overall frame depth is 5" (127mm) for a wall depth of 3-11/16" (94mm).
- Optional factory-applied jamb extensions available.
- Optional factory-applied EnduraClad® exterior trim.

Glazing System 1

- Quality float glass complying with ASTM C 1036.
- Custom and high altitude glazing available.
- Urethane-glazed [13/16"] [1"] dual-seal insulating glass [[annealed] [tempered]] [[clear] [Advanced Low-E] [SunDefense™ Low-E] [AdvancedComfort Low-E] [NaturalSun Low-E] with Argon]] [[bronze] [gray] [green] [obscure] Advanced Low-E with Argon].
- or -
- Urethane-glazed [1-1/8"] [1-1/4"] [1-3/8"] triple-seal insulating glass [[annealed] [tempered]] [[Advanced Low-E] [Advanced Low-E] [SunDefense™ Low-E] [SunDefense™ Low-E] [NaturalSun Low-E] [NaturalSun Low-E with Argon] [krypton]].
- or -
- Impact-Resistant
 - Urethane-glazed 1" dual-seal impact-resistant insulating glass 1 [1" [SGP] [PVB]] [1-1/4" SGP]. [[tempered] [annealed]] Laminated exterior light is [[Advanced Low-E with Argon] [SunDefense Low-E] [clear] [bronze] [gray] [green]]. Clear tempered interior light.

Exterior

- Extruded aluminum clad exteriors shall be finished with EnduraClad® protective finish, in a multi-step, baked-on finish.
 - Color is [standard] [custom]2
- or -
- Extruded aluminum clad exteriors shall be finished with EnduraClad Plus protective finish with 70% fluoropolymer resin in a multi-step, baked-on finish.
 - Color is [standard] [custom]2

Interior

- [Unfinished, ready for site finishing] [factory primed with one coat acrylic latex] [factory prefinished [paint] [stain]2].

Optional Products

Grilles 5

- Integral Light Technology® grilles - Traditional Style Collection
 - Interior grilles are [7/8"] [1-1/4"] [2" (traditional pattern only)] ogee profile that are solid [pine] [mahogany] [douglas fir]. Interior surfaces are [unfinished, ready for site finishing] [factory primed] [pine: factory prefinished [paint]2] [stain]2 to match interior finish]. Curved grilles may have visible finger joints.
 - Exterior grilles are [7/8" ogee profile] [1-1/4" ogee profile] [2" ogee profile (traditional pattern only)] that are extruded aluminum, color matched to exterior cladding.
 - Insulating glass contains non-glare spacer between the panes of glass.
 - Grilles are adhered to both sides of the insulating glass with VHB acrylic adhesive tape and aligned with the non-glare spacer.
 - Grille pattern is [Traditional] [Prairie] [Top Row] [Cross] [Sunburst] [Starburst].
- or -
- Integral Light Technology® grilles - Contemporary Style Collection (rectangular and angled shapes only)
 - Interior grilles are [5/8"] [7/8"] [1-1/4"] [2"] square profile that are solid [pine] [mahogany] [douglas fir]. Interior surfaces are [unfinished, ready for site finishing] [factory primed] [pine: factory prefinished [paint] [stain]2 to match interior finish].
 - Exterior grilles are [5/8"] [7/8"] [1-1/4"] [2"] square profile that are extruded aluminum, color matched to exterior cladding.
 - Insulating glass contains non-glare spacer between the panes of glass.
 - Grilles are adhered to both sides of the insulating glass with VHB acrylic adhesive tape and aligned with the non-glare spacer.
 - Grille pattern is [Traditional] [Prairie] [Top Row] [Cross].
- or -
- Simulated-Divided-Light grilles [with optional spacer]
 - Interior grilles are 7/8" regular profile that are solid pine. Curved grilles may have visible finger joints. Interior surfaces are [unfinished, ready for site finishing] [factory prefinished [paint] [stain]2 to match interior finish].
 - Exterior grilles are 7/8" regular profile extruded aluminum, color matched to exterior cladding.
 - Grilles permanently bonded to the interior and exterior of glass with VHB acrylic adhesive tape and are aligned with the optional spacer between the panes of insulating glass.
 - Grille Pattern is [Traditional] [Prairie] [Top Row] [Cross] [Sunburst] [Starburst]
 - Available only on units glazed with Low-E insulated glass with Argon.
- or -
- Roomside Removable Grilles
 - [3/4" Regular] [1-1/4" [Regular] [Colonial]] [2" [Regular] [Colonial]] profile with Traditional pattern that has removable solid pine wood bars steel-pinned at joints and fitted to glass stops with steel clips and tacks.
 - Interior surface [unfinished, ready for site finishing] [factory primed] [pine: factory prefinished [paint] [stain]2 to match interior finish]
 - Exterior surface [unfinished, ready for site finishing] [factory-primed] [factory prefinished, color matched to exterior cladding]6.
 - or -
- Grilles-Between-the-Glass 3
 - Insulating glass contains 3/4" contoured aluminum grilles permanently installed between two panes of glass.
 - Interior color is [White] [Black] [Tan4] [Brown4] [Putty4] [Ivory] [Brickstone] [Harvest] [Cordova] [Sand Dune] [Morning Sky Gray].
 - Exterior color 6 is [Standard]2.
 - Grille pattern is [Traditional] [Prairie] [Cross] [Top Row] [Sunburst].

(1) Insulating glass with Argon is Low-E coated (except high altitude). All other insulating glass (including high altitude Low-E) is Air-filled.

(2) Contact your local Pella sales representative for current color options.

(3) Available in clear or Low-E insulating glass with Argon, and obscure insulated glass.

(4) Tan, Brown and Putty GBG colors are available in single-tone only (Brown/Brown, Tan/Tan or Putty/Putty), other interior/exterior color restrictions may apply.

(5) Certain grille types and patterns may have restrictions depending on unit size and shape, contact your local Pella sales representative for details.

(6) Appearance of exterior grille color will vary depending on Low-E coating on glass.



Clad-Wood Fixed Frame Direct Set Windows

Exterior Glazed Detailed Product Description

Frame

- Select softwood, immersion treated with Pella's EnduraGuard® wood protection formula in accordance with WDMA I.S.-4. The EnduraGuard formula includes three active ingredients for protection against the effects of moisture, decay, stains from mold and mildew. Plus, an additional ingredient adds protection against termite damage.
- Interior exposed surfaces are [clear pine] [mahogany] [douglas fir].
- Exterior surfaces are clad with aluminum.
- Components are assembled with screws, staples, and concealed corner locks.
- Overall frame depth is 5" (127mm) for a wall depth of 3-11/16" (94mm).
- Optional factory-applied jamb extensions available.

Glazing System ¹

- Quality float glass complying with ASTM C 1036.
- Custom and high altitude glazing available.
- Butyl-glazed clear single-light with removable aluminum stops.
 - or -
- Urethane-glazed dual-seal insulating glass [[annealed] [tempered]] [[clear] [[Advanced Low-E] [SunDefense™ Low-E] [AdvancedComfort Low-E] [NaturalSun Low-E] with Argon]] [[bronze] [gray] [green] Advanced Low-E with Argon] with removable aluminum stops.

Exterior

- Aluminum clad exteriors shall be finished with EnduraClad® protective finish, in a multi-step, baked-on finish.
 - Color is [standard] [custom]₂.
 - or -
- Aluminum clad exteriors shall be finished with EnduraClad Plus protective finish with 70% fluoropolymer resin in a multi-step, baked-on finish.
 - Color is [standard] [custom]₂.

Interior

- [Unfinished, ready for site finishing] [factory primed with one coat acrylic latex] [factory prefinished [paint] [stain]₂].

Optional Products

Grilles

- Roomside Removable Grilles
 - [3/4" Regular] [1-1/4" [Regular] [Colonial]] [2" [Regular] [Colonial]] profile with Traditional pattern that has removable solid wood bars steel-pinned at joints and fitted to glass stops with steel clips and tacks.
 - Interior [unfinished, ready for site finishing] [factory primed] [factory prefinished [paint] [stain]₂ to match interior finish].
 - Exterior [unfinished, ready for site finishing] [factory primed] [factory prefinished color matched to exterior cladding₄].
 - or -
- Grilles-Between-the-Glass
 - Insulating glass contains 3/4" contoured aluminum grilles permanently installed between two panes of glass.
 - Patterns are [Traditional] [Prairie] [Cross] [Top Row] [Custom - Equally Divided].
 - Interior color is [White] [Black] [Tan₃] [Brown₃] [Putty₃] [Ivory] [Brickstone] [Harvest] [Cordovan] [Sand Dune] [Morning Sky Gray].
 - Exterior color₄ is [standard]₂.

(1) Insulating glass with Argon is Low-E coated (except high altitude). All other insulating glass (including high altitude Low-E) is Air-filled.

(2) Contact your local Pella sales representative for current designs and color options.

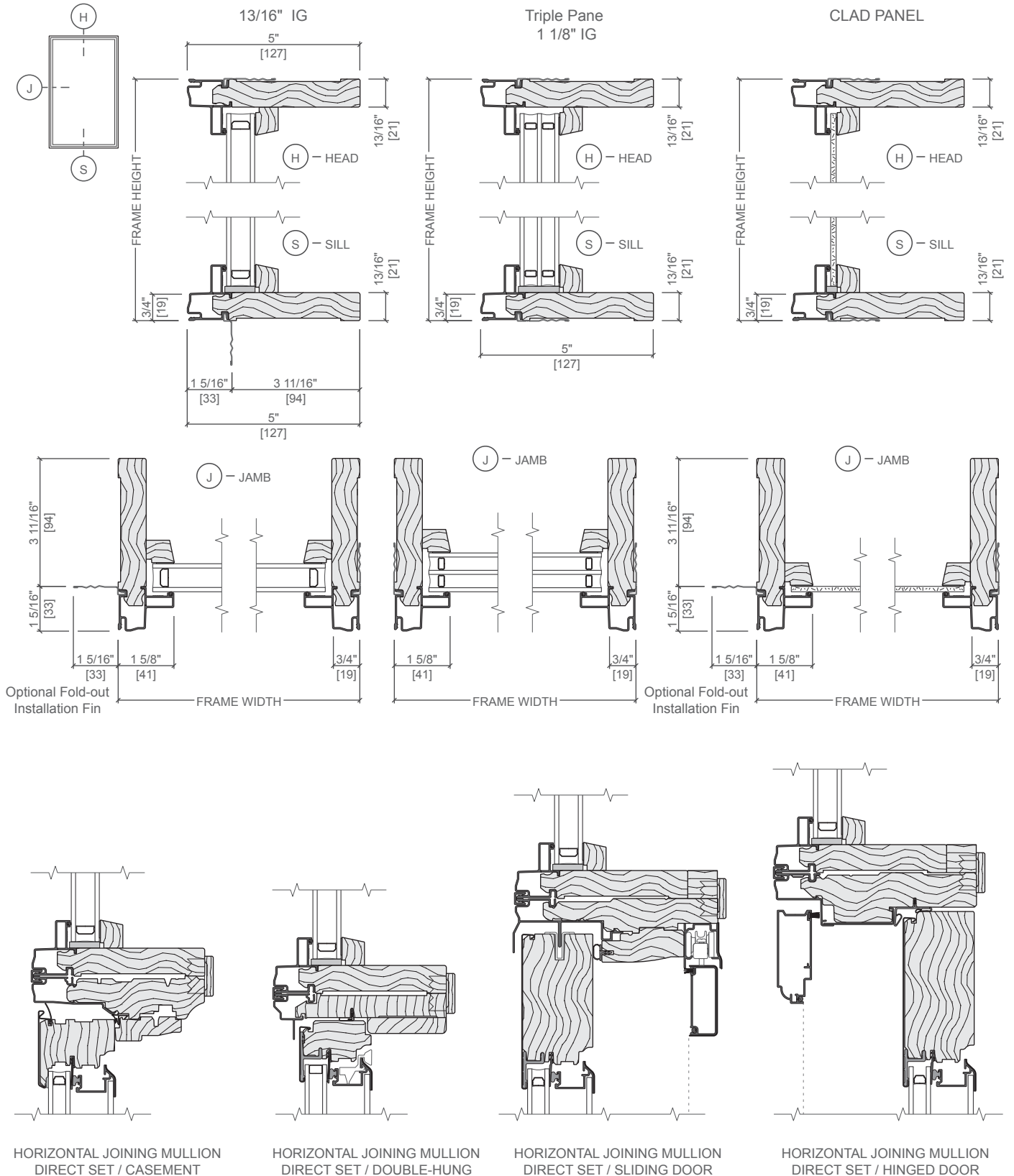
(3) Tan, Brown and Putty GBG colors are available in single-tone only (Brown/Brown, Tan/Tan or Putty/Putty) (Putty mono), other interior/exterior color restrictions may apply.

(4) Appearance of exterior grille color will vary depending on Low-E coating on glass.



Clad-Wood Fixed Frame Direct Set Windows

Unit Sections - Interior Glazed Rectangular and Angled Shapes



Scale 3" = 1' 0"

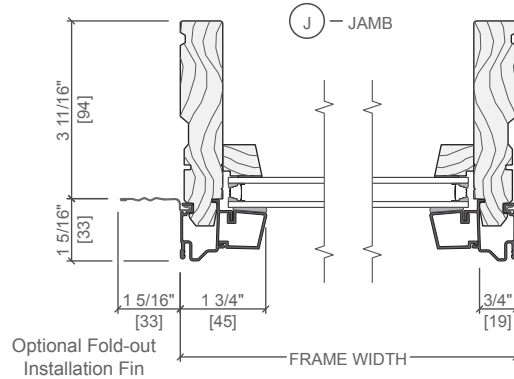
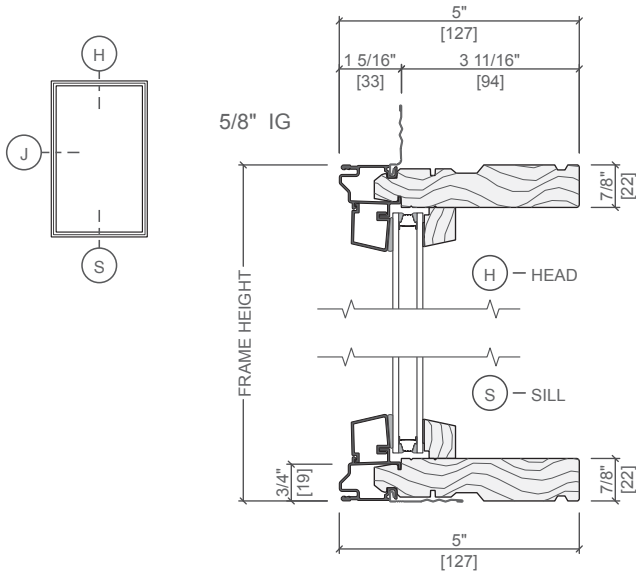
All dimensions are approximate.

See www.PellaADM.com for mullion limitations and reinforcing requirements.

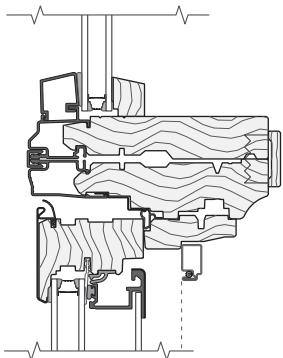
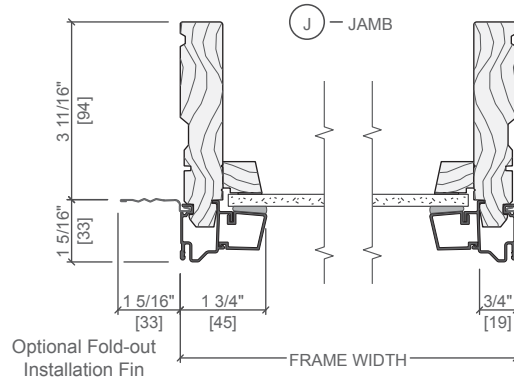
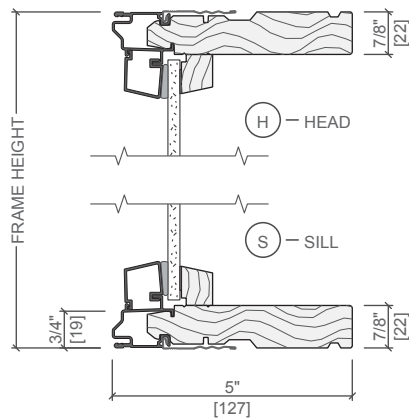


Clad-Wood Fixed Frame Direct Set Windows

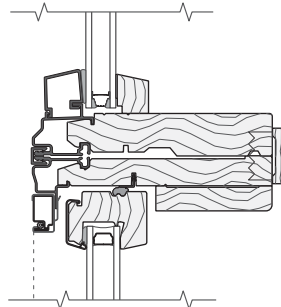
Unit Sections - Exterior Glazed Rectangular



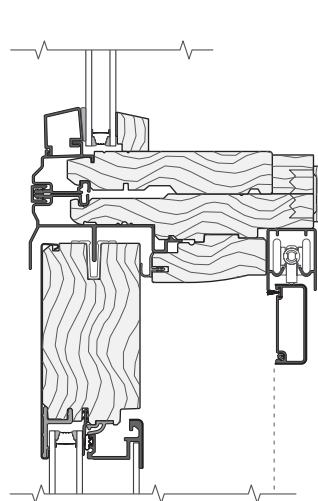
CLAD PANEL



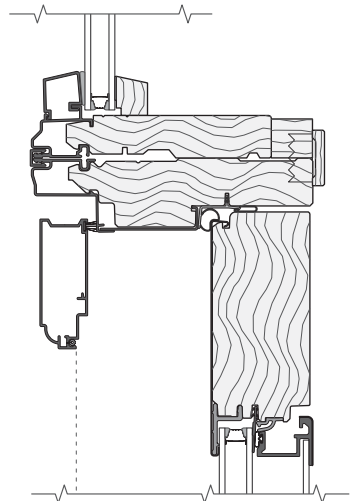
HORIZONTAL JOINING MULLION
DIRECT SET / CASEMENT



HORIZONTAL JOINING MULLION
DIRECT SET / DOUBLE-HUNG



HORIZONTAL JOINING MULLION
DIRECT SET / SLIDING DOOR



HORIZONTAL JOINING MULLION
DIRECT SET / HINGED DOOR

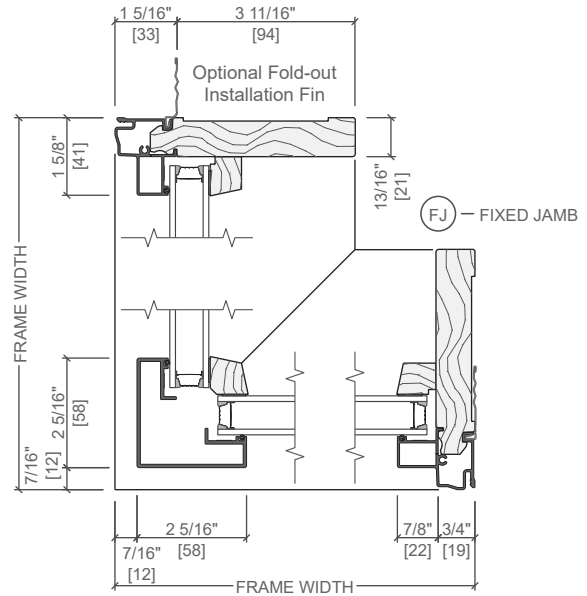
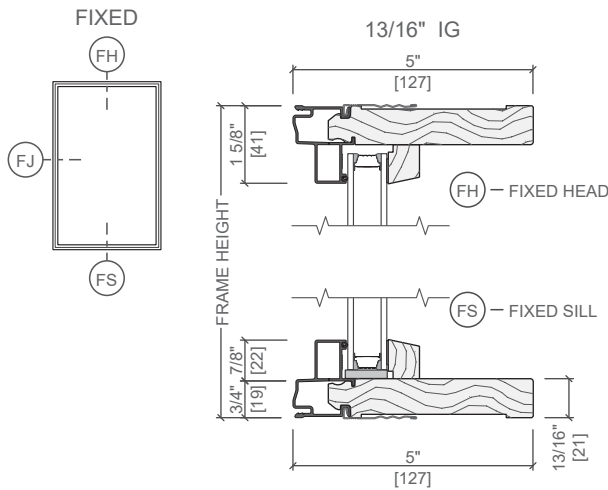
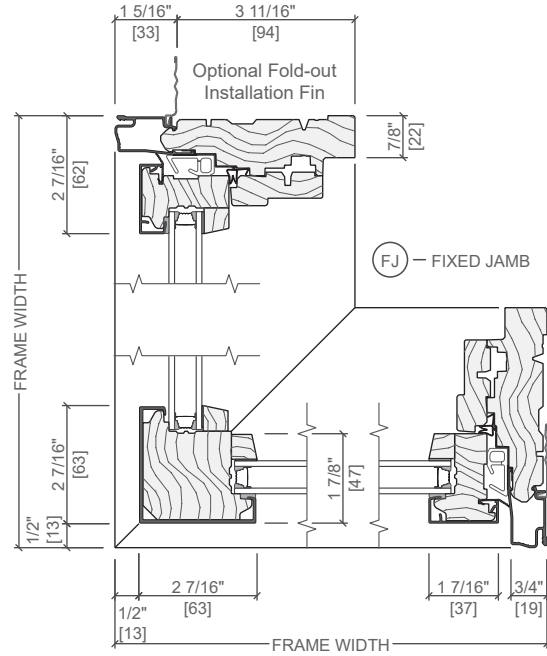
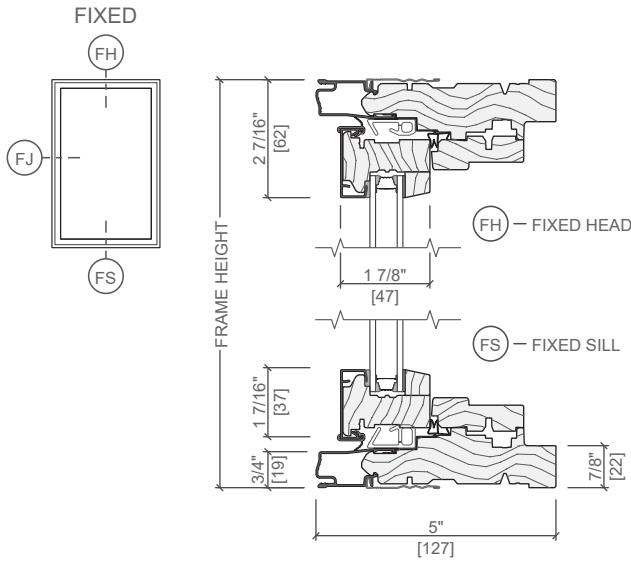
Scale 3" = 1' 0"

All dimensions are approximate.



Clad-Wood Fixed Frame Direct Set Windows

Unit Sections - Mitered Corner



Reserve Contemporary fixed casement mitered corner shown for comparison purposes. See Casement section or contact your local Pella sales representative for product details

Scale 3" = 1' 0"

All dimensions are approximate.



Detailed Product Description - Aluminum-Clad Awning and Large Awning

Frame

- Select softwood, immersion treated with Pella's EnduraGuard® wood protection formula in accordance with WDMA I.S.-4. The EnduraGuard formula includes three active ingredients for protection against the effects of moisture, decay, stains from mold and mildew. Plus, an additional ingredient adds protection against termite damage.
- Interior exposed surfaces are [clear pine] [mahogany] [douglas fir] [Impact-Resistant: [clear pine] [mahogany]].
- Exterior surfaces are clad with aluminum.
- Components are assembled with screws, staples and concealed corner locks.
- Overall frame depth is 5" (127mm) for a wall depth of 3-11/16" (94mm).
- Optional factory-applied jamb extensions available between 4-9/16" (116mm) and 7-3/16" (183mm) wall depths.
- Optional factory-installed fold-out installation fins with flexible fin corners.
- Optional factory-applied EnduraClad® exterior trim.

Sash

- Select softwood, immersion treated with Pella's EnduraGuard wood protection formula in accordance with WDMA I.S.-4. The EnduraGuard formula includes three active ingredients for protection against the effects of moisture, decay, stains from mold and mildew. Plus, an additional ingredient adds protection against termite damage.
- Interior exposed surfaces are: [clear pine] [mahogany] [douglas fir] [Impact-Resistant: [clear pine] [mahogany]].
- Exterior surfaces are clad with aluminum and sealed.
- Corners mortised and tenoned, glued and secured with metal fasteners.
- Sash thickness is [1-13/16" (46mm) for 11/16"] [2-1/8" (54mm) for 1"] glazing.
- Sash exterior and interior profile is ogee.

Weatherstripping

- Dual weatherstripping.
 - Continuous, flexible santoprene material in dual durometer design with welded corners, compressed between frame and sash for positive seal on all four sides.
 - Secondary thermoplastic vulcanizate (TPV) leaf-type weatherstrip between edge of sash and frame.

Glazing System 1

- Quality float glass complying with ASTM C 1036.
- Custom and high altitude glazing available.
- Silicone-glazed 11/16" dual-seal insulating glass [[annealed] [tempered]] [[clear] [[Advanced Low-E] [SunDefense™ Low-E] [NaturalSun Low-E] [AdvancedComfort Low-E] with argon]] [[bronze] [gray] [green] Advanced Low-E with argon]].
 - or -
- Silicone-glazed 1" triple-pane, dual-seal insulating glass [[annealed][tempered]] [[Advanced Low-E] [SunDefense™ Low-E] [NaturalSun Low-E] with [argon] [krypton]]
 - or -
- Impact-Resistant
 - Silicone-glazed 1" dual-seal impact-resistant insulating glass 1 [SGP]. [[tempered] [annealed]] exterior light is [[multi-layer Low-E] [clear] [bronze] [gray] [green]]. Laminated clear interior light.
 - or -
 - Silicone-glazed 11/16" dual-seal impact-resistant insulating glass 1 [PVB]. [[tempered] [annealed]] exterior light is [[multi-layer Low-E] [clear]]. Laminated [clear] interior light, or [[tempered] [annealed]] exterior light is [[multi-layer Low-E]]. Laminated [[bronze] [gray] [green]] interior light.

Exterior

- Aluminum-clad exteriors shall be finished with EnduraClad® protective finish, in a multi-step, baked-on finish.
 - Color is [Standard] [custom] 2.
 - or -
- Aluminum-clad exteriors shall be finished with EnduraClad Plus protective finish with 70% fluoropolymer resin in a multi-step, baked-on finish.
 - Color is [Standard] [custom] 2.

Interior

- [Unfinished, ready for site finishing] [factory primed with one coat acrylic latex] [factory prefinished [paint] [stain] 1].

Hardware

- Roto operator assembly
 - Steel worm gear sash operator with hardened gears.
 - Operator base is zinc die cast with painted finish.
 - Operator linkage is stainless steel.
 - Exposed fasteners are stainless steel.
 - Hardware will exceed 1,000 hours salt spray exposure per ASTM B 117.
 - Hinge slide and hinge arms are [Awning: Stainless steel] [Large Awning: wash hinge] [Impact-Resistant: wash hinge].
- All vent units are available with operator located on the [Awning: left or right side as viewed from the exterior] [Large Awning or Impact-Resistant: bottom center of the unit].
- SureLock® System—A single handle locking system operates positive-acting arms that reach out and pull the sash into a locked position: [Awning: one operating lock installed on units with frame widths 29" and less, two unison operating locks installed on units with frame widths over 29"] [Large Awning: one operating lock installed on units with frame heights 41" and less, two unison operating locks installed on units with frame height over 41"].
- Style of hardware is [Standard integrated fold-away crank and standard lock handle with [baked enamel [Champagne] [White] [Brown] [Matte Black]] [bright brass] [satin nickel] [oil-rubbed bronze] hardware finish] [Antiek fold-away crank and Antiek lock handle with [baked enamel [Champagne] [White] [Brown] [Matte Black]] [Bright Brass] [Satin Nickel] [Oil-rubbed Bronze] [Antique Brass] [Distressed Bronze] [Distressed Nickel] hardware finish].

Optional Products

Grilles

- Integral Light Technology® grilles
 - Interior grilles are [5/8"] [7/8"] [1-1/4"] [2"] ogee profile that are solid [Pine] [mahogany] [douglas fir]. Interior surfaces are [unfinished, ready for site finishing] [factory primed] [pine: factory prefinished [paint] [stain] 1].
 - Exterior grilles are [5/8" putty glaze profile] [7/8" [putty glaze] [ogee] profile] [1-1/4" [putty glaze] [ogee] profile] [2" ogee profile] that are extruded aluminum.
 - Patterns are [Traditional] [Prairie] [Top Row] [Cross] [New England] [Victorian] [Simulated French (fixed units only)].
 - Insulating glass contains non-glare spacer between the panes of glass.
 - Grilles are adhered to both sides of the insulating glass with VHB acrylic adhesive tape and aligned with non-glare spacer.
 - or -
- Grilles-Between-the-Glass 3
 - Insulating glass contains 3/4" contoured aluminum grilles permanently installed between two panes of glass (exterior air-space on triple-pane insulating glass).
 - Patterns are [Traditional] [Prairie] [Cross] [Top Row] [Custom - Equally Divided].
 - Interior color is [White] [Tan 4] [Brown 4] [Putty 4] [Black] [Morning Sky Gray] [Ivory] [Sand Dune] [Harvest] [Cordovan] [Brickstone].
 - Exterior color 5 is [Standard] 2.
 - or -
- Roomside Removable Grilles
 - [[3/4"] [1-1/4"] [2"] Regular] [[1-1/4"] [2"] Colonial] profile, with [Traditional] [Prairie]] patterns that are removable solid pine wood bars steel-pinned at joints and fitted to sash with steel clips and tacks.
 - Interior [unfinished, ready for site finishing] [factory primed] [pine: factory prefinished [paint] [stain] 2].
 - Exterior [unfinished, ready for site finishing] [factory primed] [factory prefinished, finish color matched to exterior claddings] 5.

Screens

- InView™ screens
 - Vinyl-coated 18/18 mesh fiberglass screen cloth complying with the performance requirements of SMA 1201, set in aluminum frame fitted to inside of window, supplied complete with all necessary hardware.
 - Insect screen frame finish is [baked enamel [Champagne] [Artisan Greige] [Skyline Gray] [White] [Brown] [Black]] [Wrapped in wood veneer, finished to match interior finish].
 - or -
- Vivid View® screens
 - PVDF 21/17 mesh, minimum 78 percent light transmissive screen, set in aluminum frame fitted to inside of window, supplied complete with all necessary hardware.
 - Insect screen frame finish is [baked enamel [Champagne] [Artisan Greige] [Skyline Gray] [White] [Brown] [Black]] [Wrapped in wood veneer, finished to match interior finish].

Hardware

- Optional factory applied limited opening hardware available for vent units in stainless steel; nominal 3" opening.

Sensors

- Optional factory installed integrated security sensors available in vent units.

(1) Insulating glass with argon is Low-E coated (except high altitude). All other insulating glass (including high altitude Low-E) is air-filled.

(2) Contact your local Pella sales representative for current color options.

(3) Available on units glazed with Low-E insulated glass with argon, clear insulated glass and obscure insulated glass.

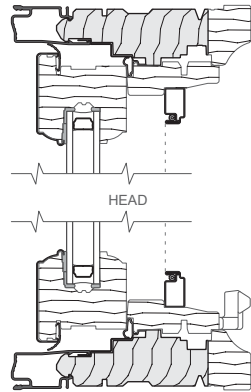
(4) Tan, Brown or Putty Interior GBG colors are available in single-tone (Brown/Brown, Tan/Tan or Putty/Putty). Other interior colors are also available with tan or brown exterior.

(5) Appearance of exterior grille color will vary depending on Low-E coating on glass.

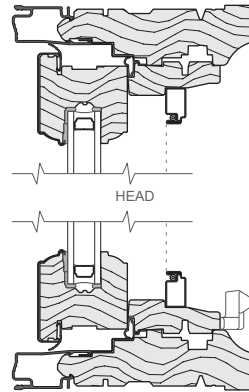


Architect Series® Traditional Awning Window

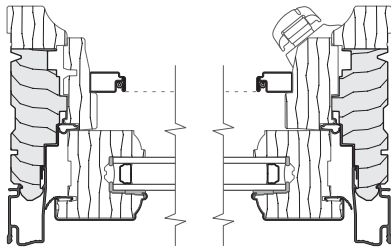
Unit Sections - Aluminum-Clad Exterior - Wood Collection



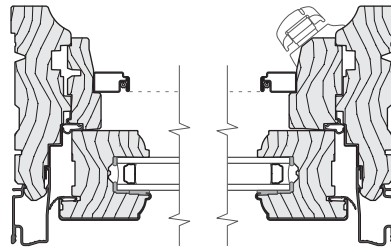
SILL



SILL



JAMBS



JAMBS

Scale 3" = 1' 0"

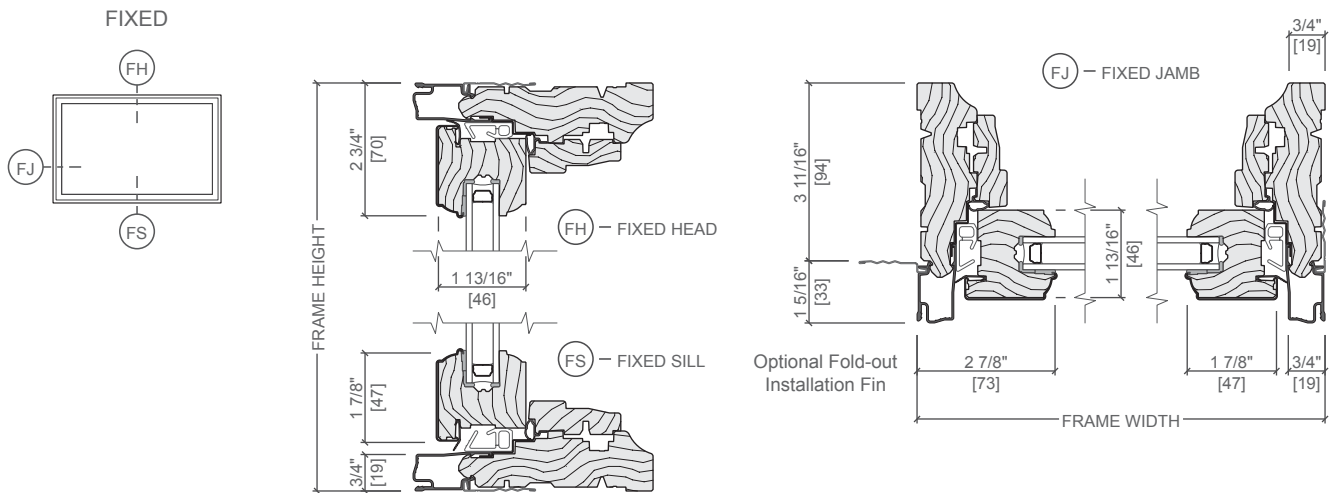
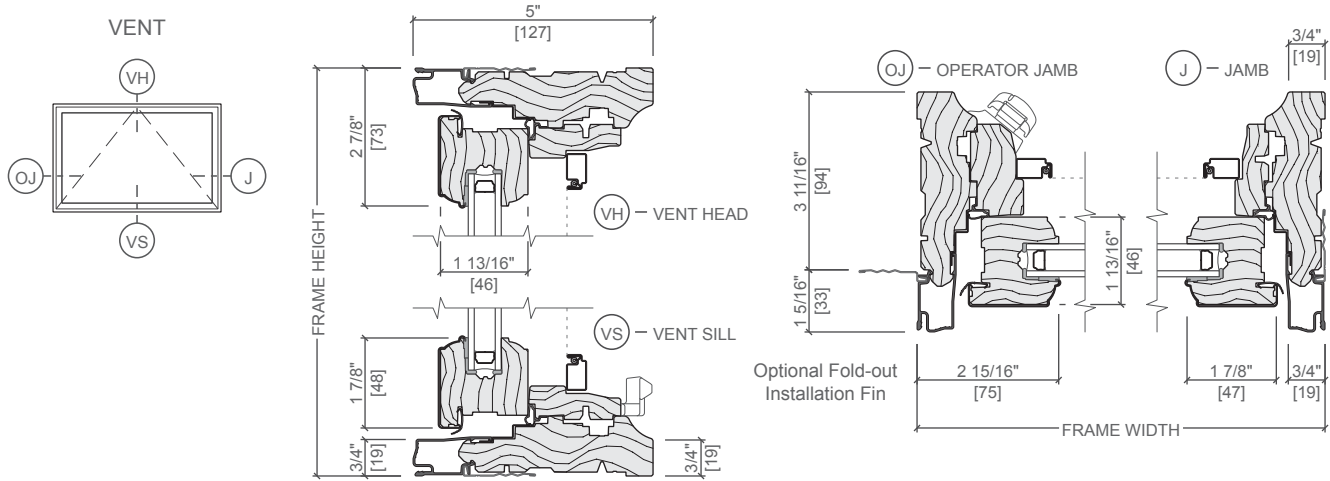
All dimensions are approximate.

See www.Pella.com for mullion limitations and reinforcing requirements.

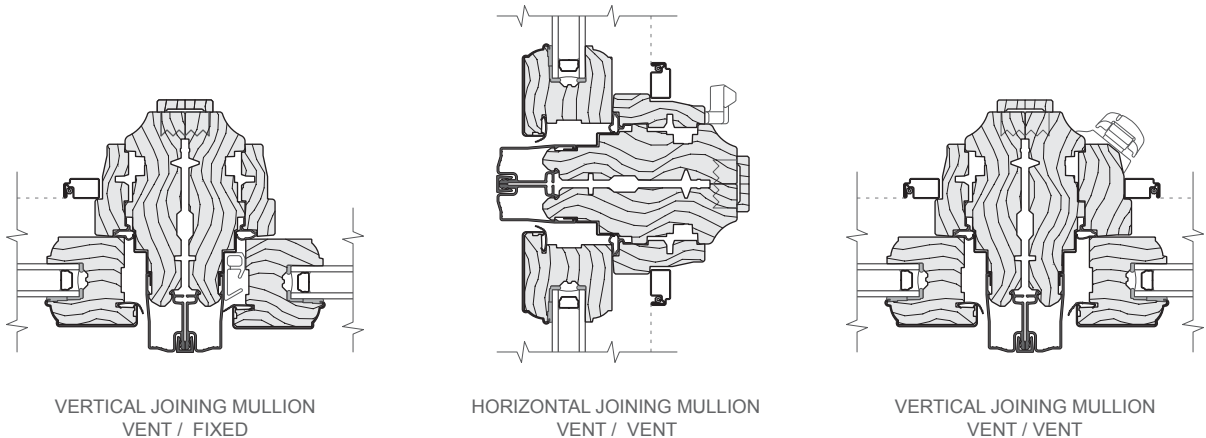


Architect Series® Traditional Awning Window

Unit Sections - Aluminum-Clad Exterior, Ogee Exterior Profile



Typical Joining Mullions



Scale 3" = 1' 0"

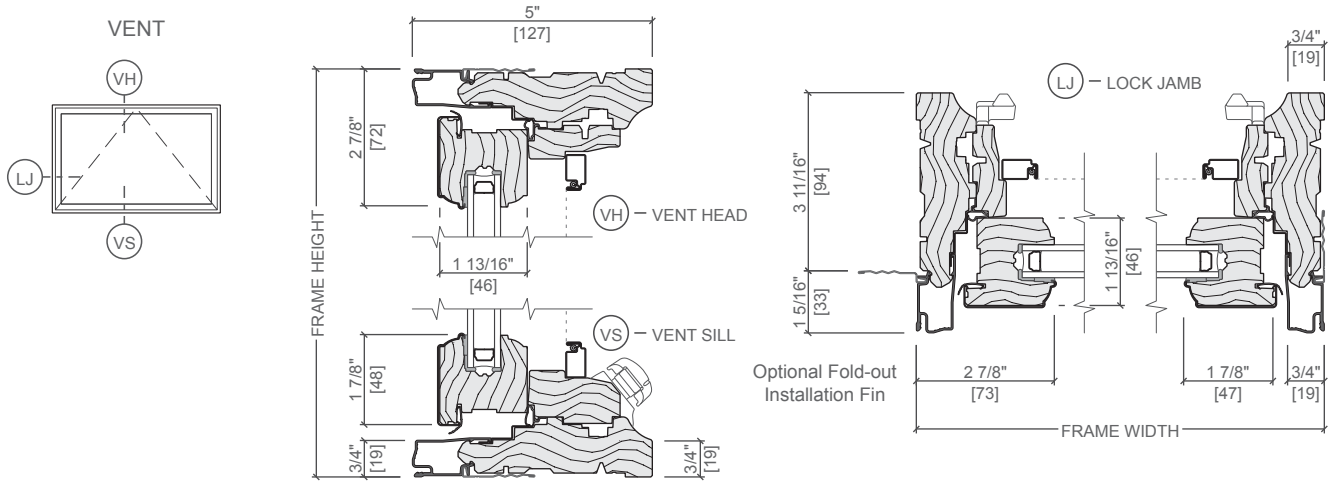
All dimensions are approximate.

See Combinations Section for mullion limitations and reinforcing requirements.

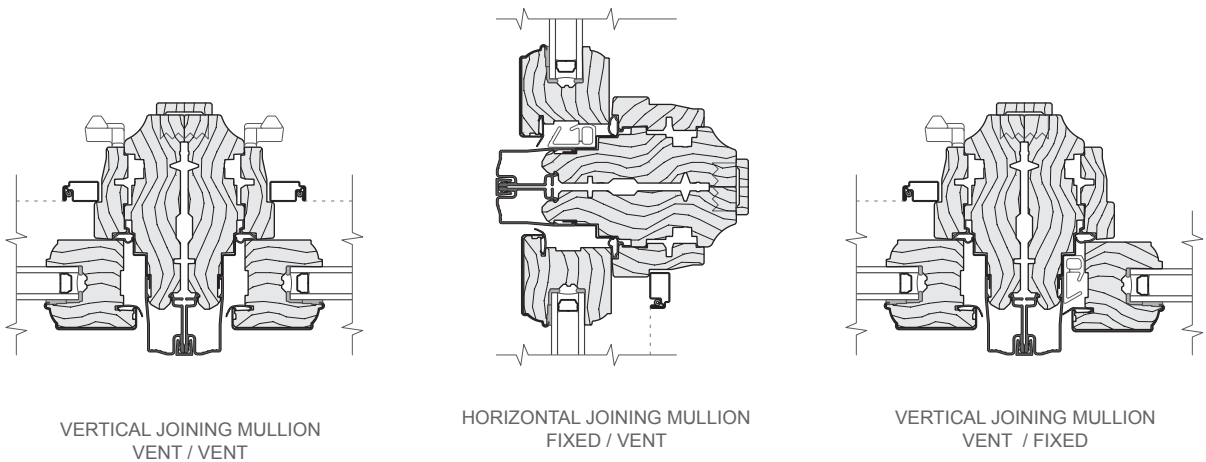


Architect Series® Traditional Awning Window

Unit Sections - Large Awning Aluminum-Clad Exterior, Ogee Exterior Profile



Typical Joining Mullions



Scale 3" = 1' 0"

All dimensions are approximate.

See Combinations Section for mullion limitations and reinforcing requirements.