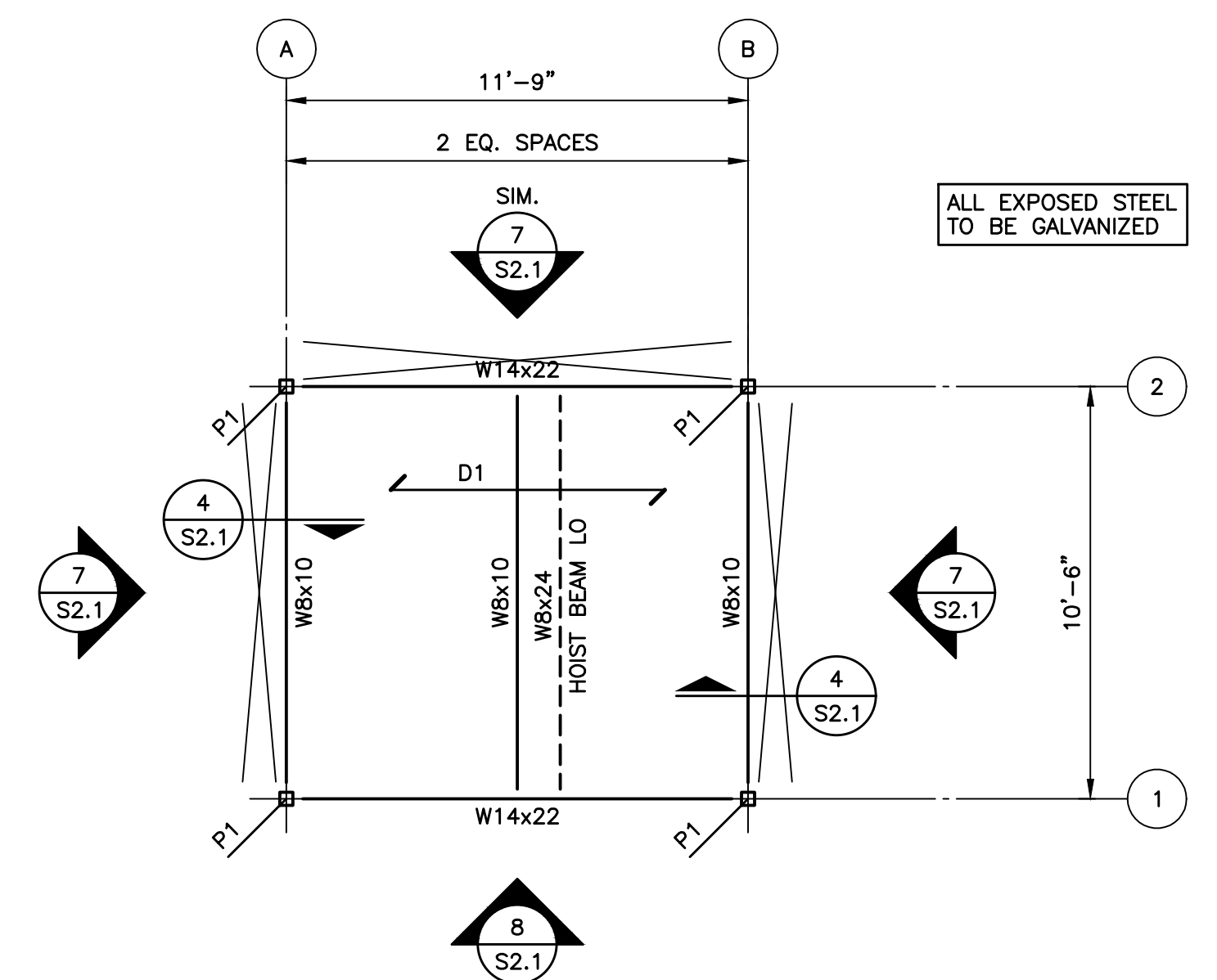
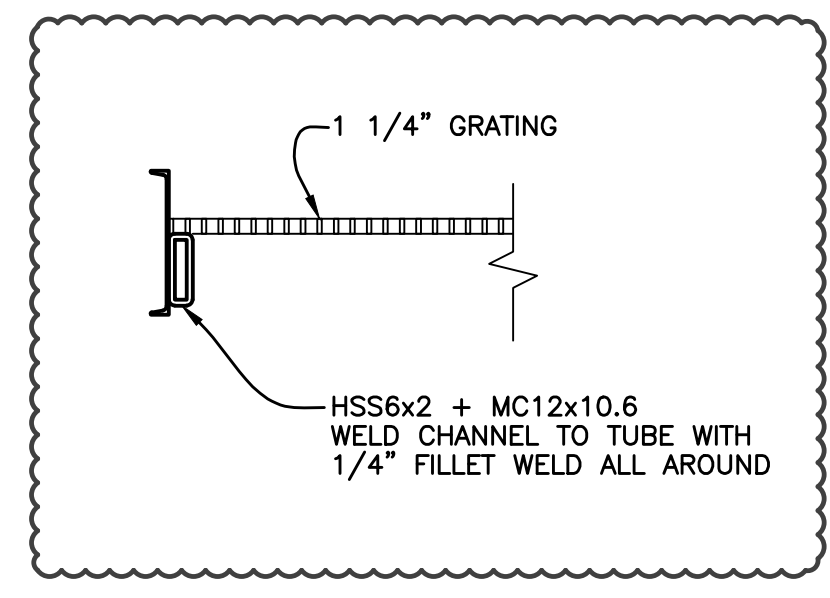
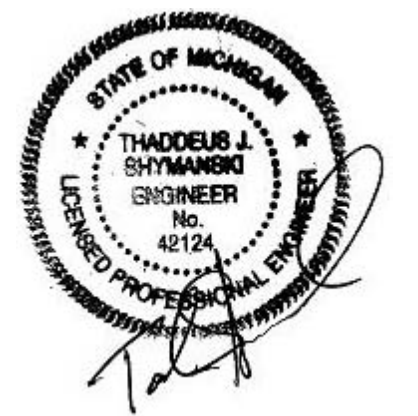


8 ELEVATION
SCALE: 3/4" = 1'-0"

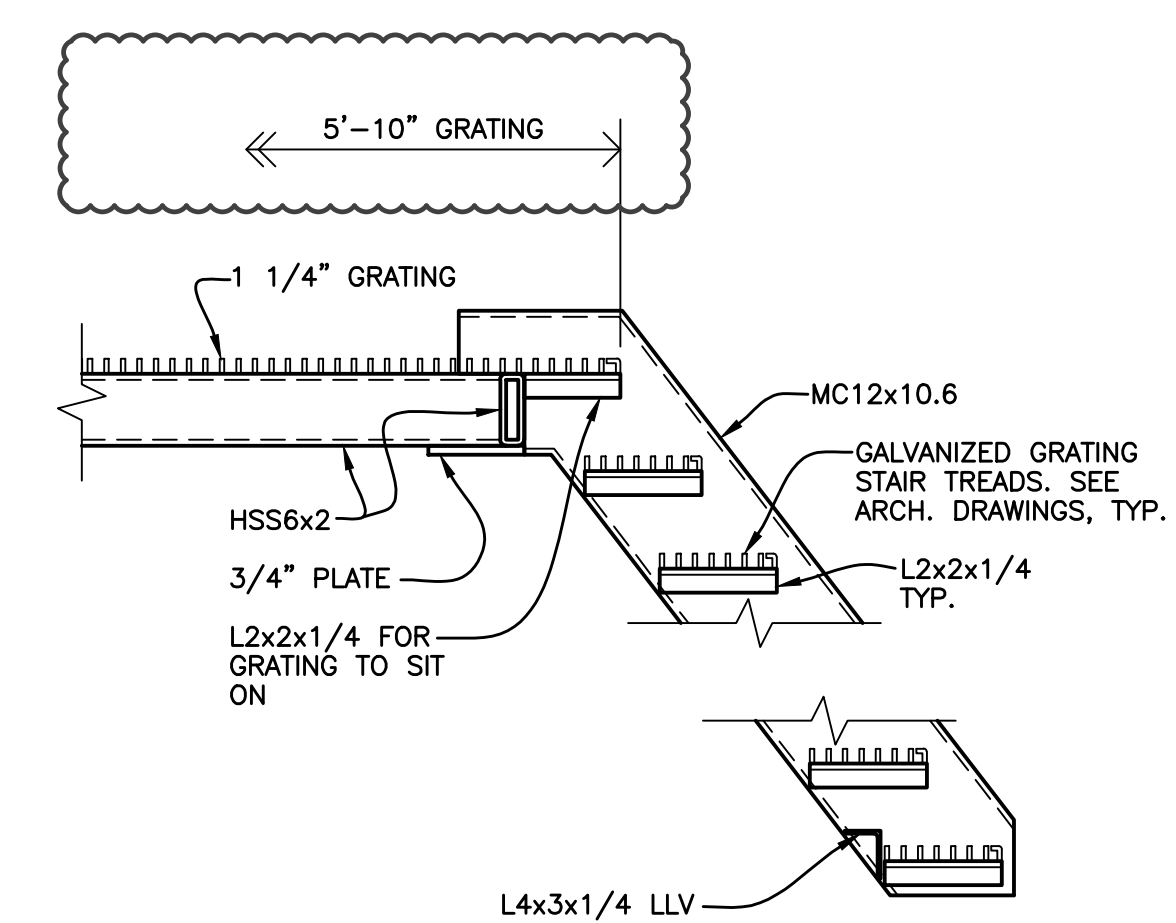
7 ELEVATION
SCALE: 3/4" = 1'-0"



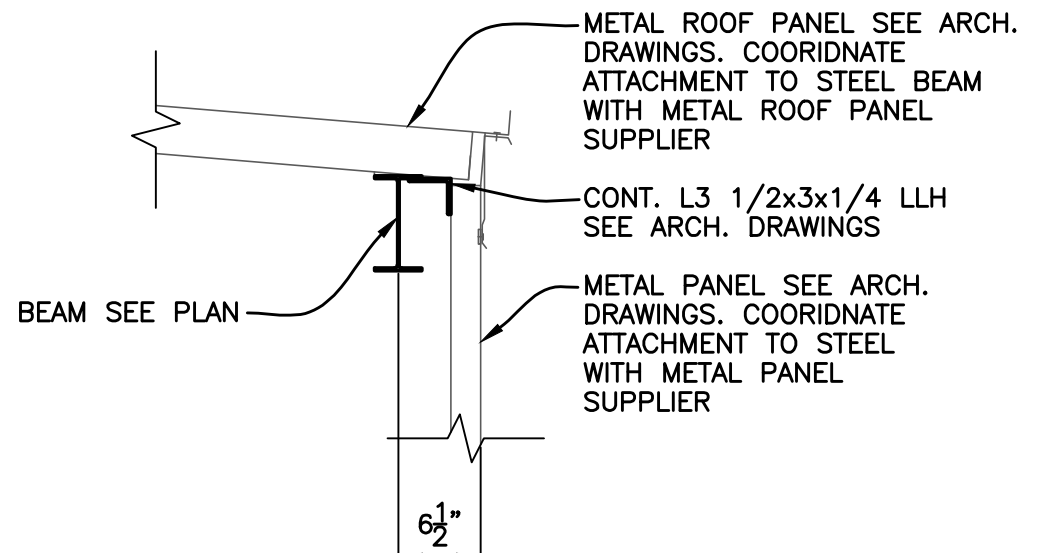
HIGH ROOF FRAMING PLAN
SCALE: 1/4" = 1'-0"



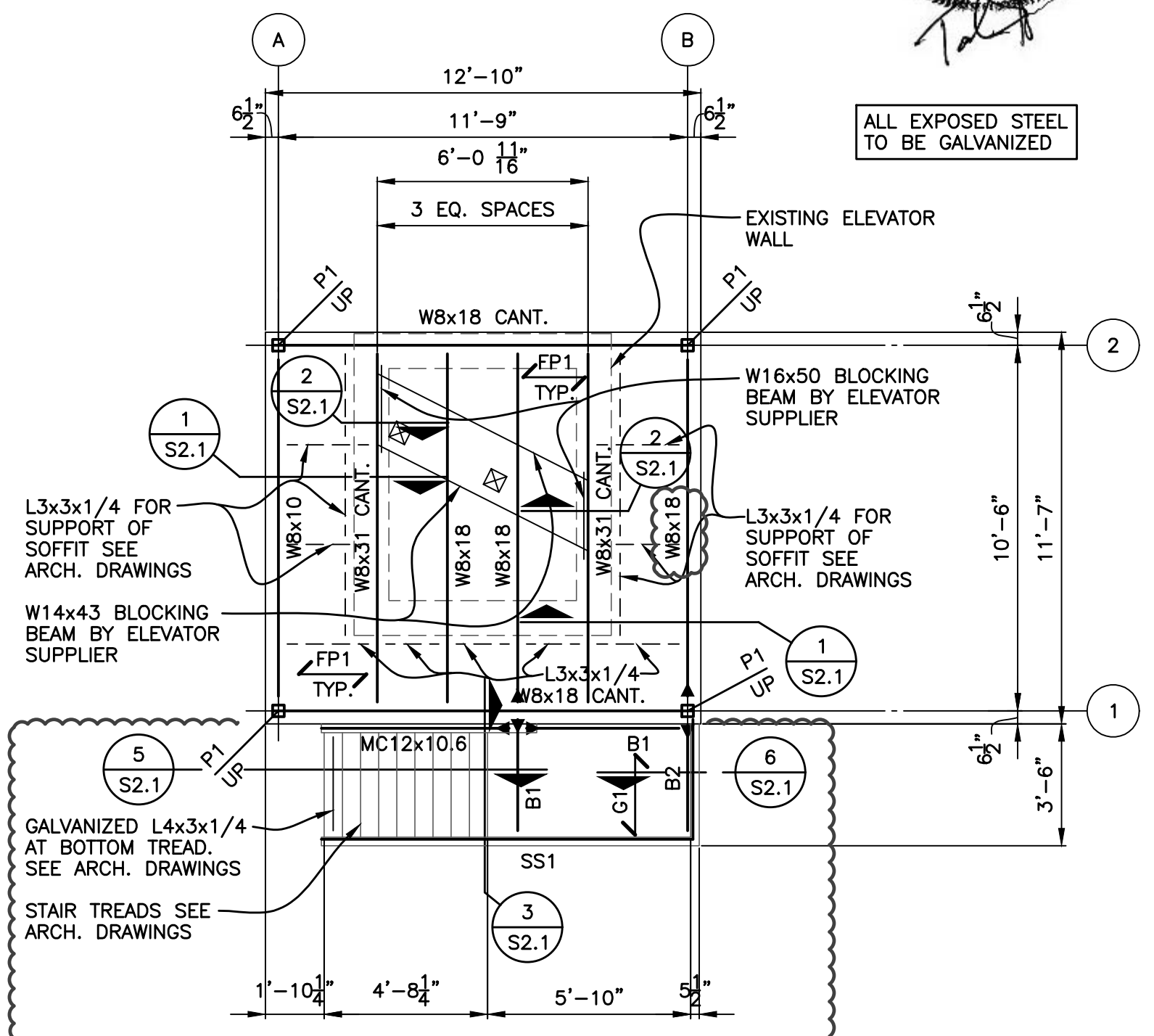
6 SECTION
SCALE: 3/4" = 1'-0"



5 SECTION
SCALE: 3/4" = 1'-0"

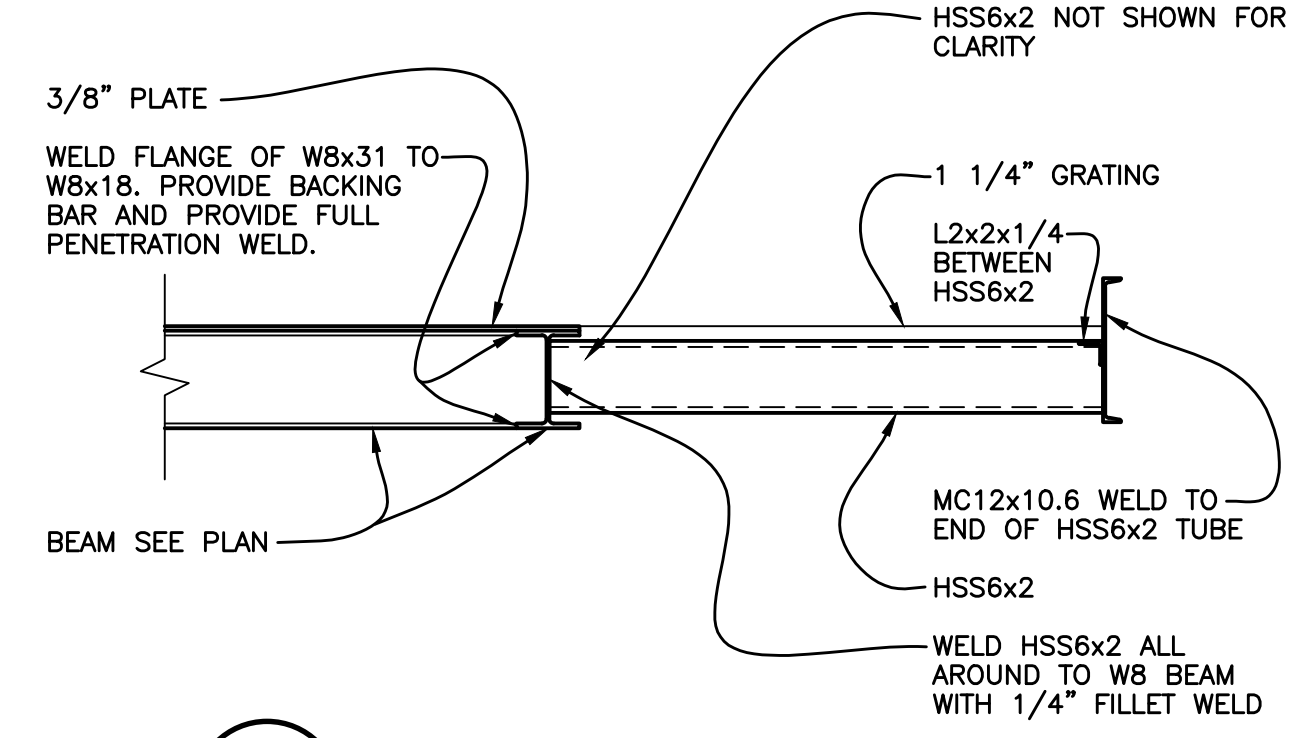


4 SECTION
SCALE: 3/4" = 1'-0"

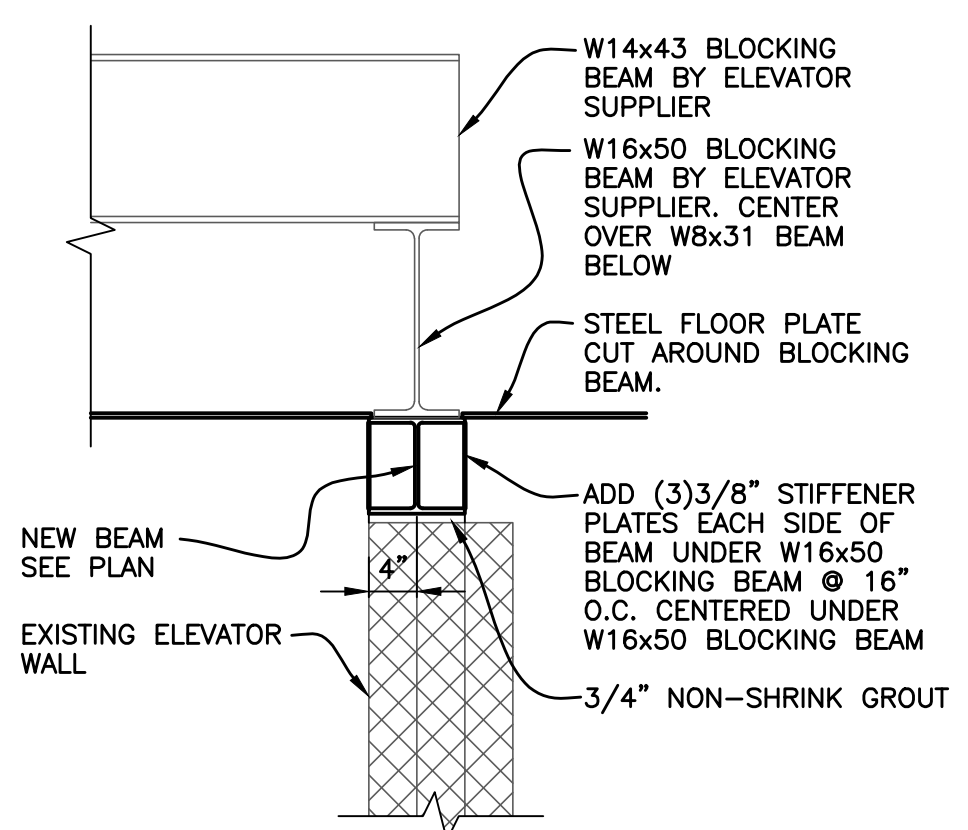


ROOF FRAMING PLAN
SCALE: 1/4" = 1'-0"

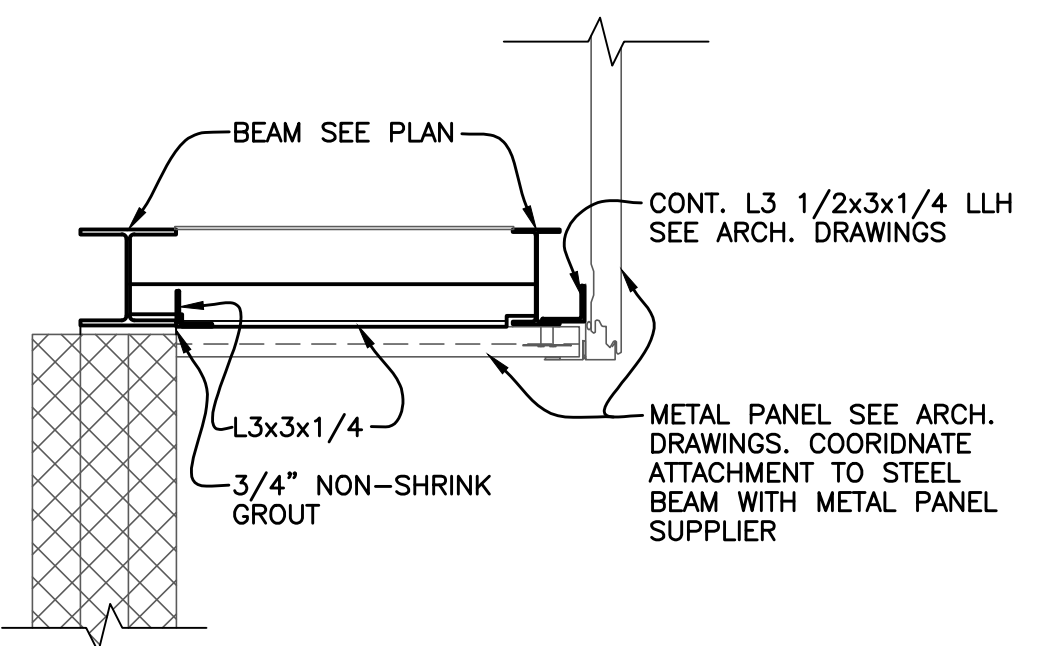
- FP1 3/8" THICK DIAMOND FLOOR PLATE, TYP.
- G1 1 1/4" GALVANIZED BAR GRADING
- INDICATES FULL MOMENT CONNECTION
- P1: HSS4x4x1/4 POST COLUMN. SIT ON TOP OF W8 CANT. BEAMS
- B1: HSS6x2x1/4. WELD ALL AROUND TO MEMBERS EACH END WITH 1/4" FILLET WELD
- B2: HSS6x2x1/4 + MC12x10.6. WELD ALL AROUND TO MEMBERS EACH END WITH 1/4" FILLET WELD. WELD CHANNEL TO HSS6x2 WITH 1/4" FILLET WELD ALL AROUND
- SS1: MC12x10.6 STAIR STRINGER



3 SECTION
SCALE: 3/4" = 1'-0"



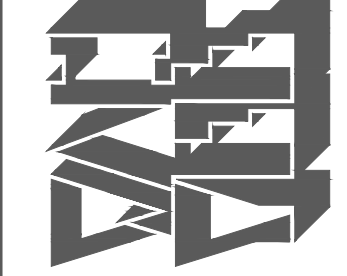
2 SECTION
SCALE: 3/4" = 1'-0"



1 SECTION
SCALE: 3/4" = 1'-0"

Shymanski & Associates, L.L.C.
STRUCTURAL ENGINEERS
33426 FIVE MILE BLVD.
LIVONIA, MICHIGAN 48154
PH: 734.855.8810 FAX: 734.855.8899
email: shymanski@shymanski.com

Wah Yee Associates Architects & Planners
4040 CHESAPEAKE BLVD., SUITE 200
NOVA MICHIGAN 48375
PHONE 248.489.9140



PROJECT
ELEVATOR PENITHOUSE RENOVATION
66 ADELAIDE
DETROIT, MI

Date Issued
Bids & Permit 12/23/2020
Bulletin #1 03/26/2021

Job Number
5122

SHEET TITLE
ROOF FRAMING PLAN

Sheet Number
S2.1