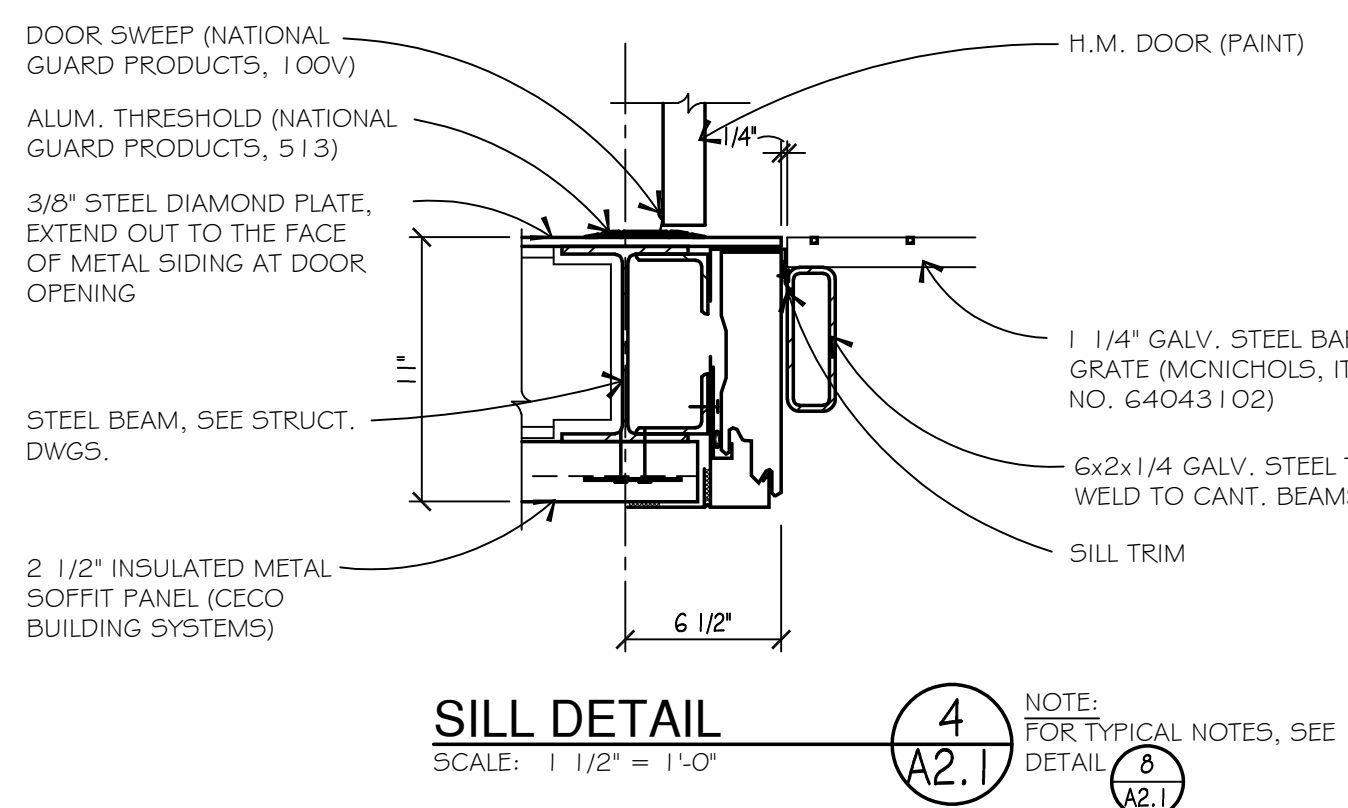
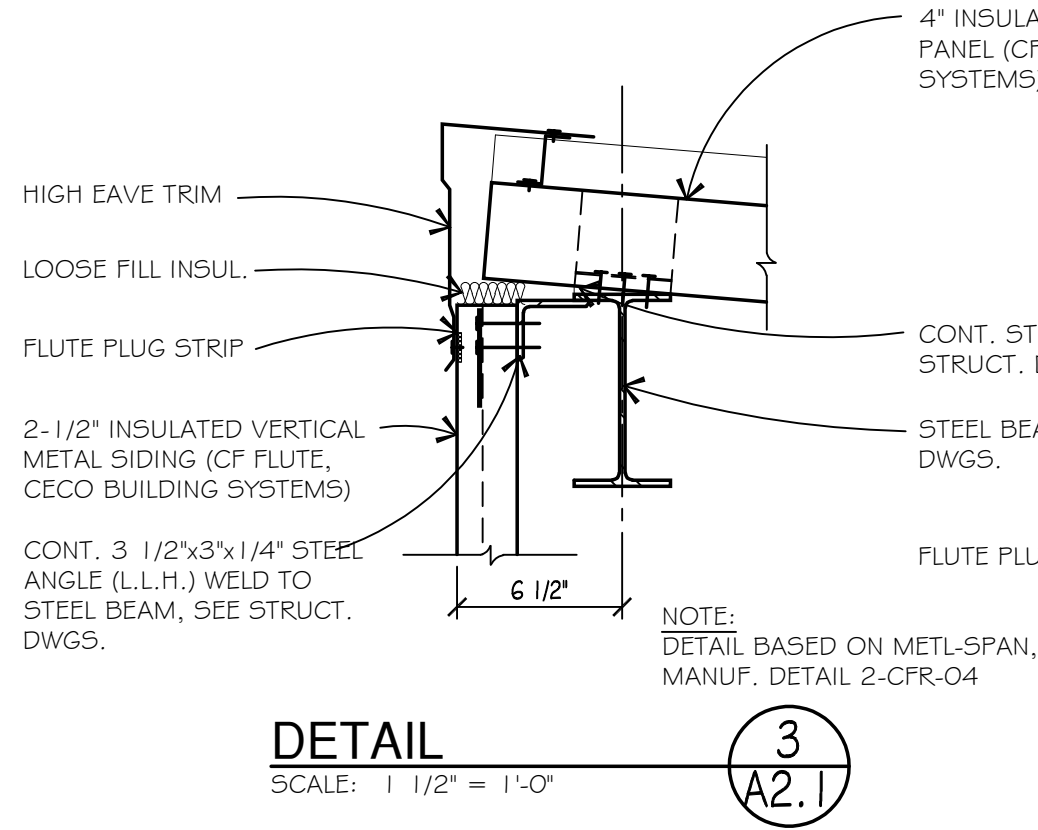


JAMB DETAIL
SCALE: 1 1/2" = 1'-0"
A2.1

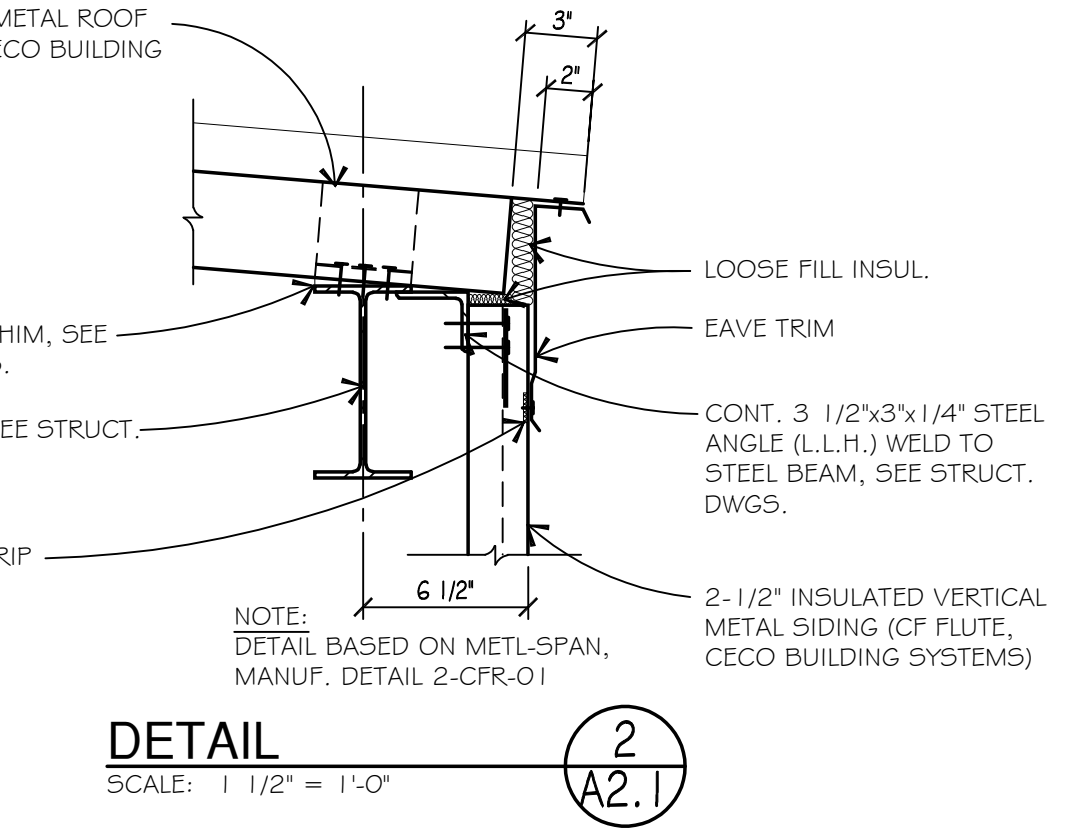
HEAD DETAIL
SCALE: 1 1/2" = 1'-0"
A2.1



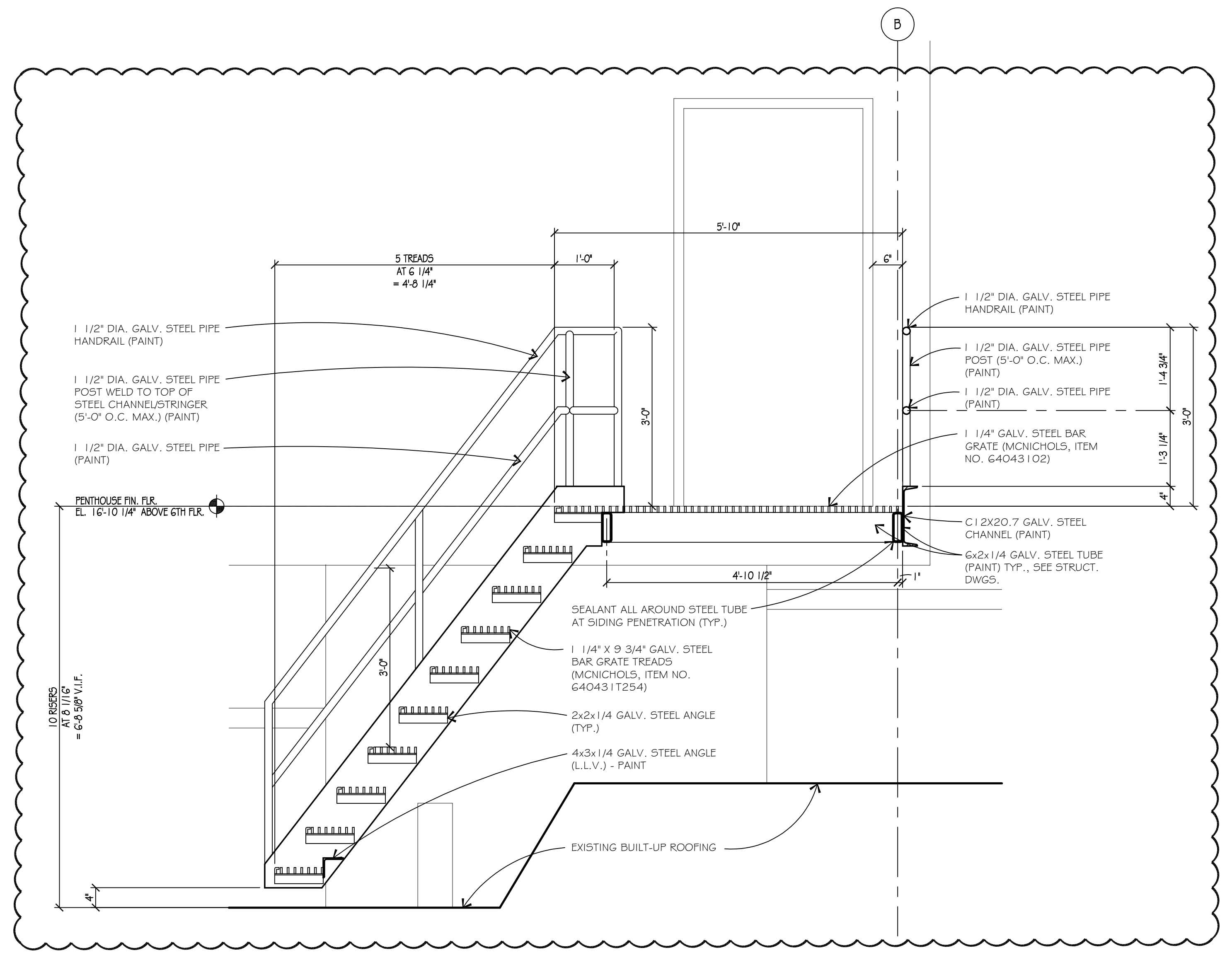
SILL DETAIL
SCALE: 1 1/2" = 1'-0"
A2.1



DETAIL
SCALE: 1 1/2" = 1'-0"
A2.1

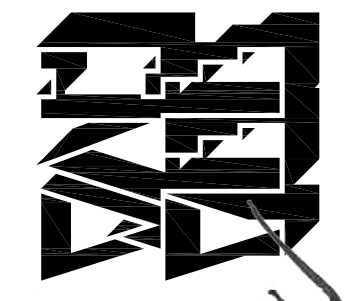


DETAIL
SCALE: 1 1/2" = 1'-0"
A2.1



STAIR SECTION
SCALE: 3/4" = 1'-0"
A2.1

Wah Yee Associates
Architects & Planners
42400 GRAND RIVER AVENUE, SUITE 200
NOVI, MICHIGAN 48375
PHONE 248.489.9160



PROJECT
ELEVATOR PENTHOUSE RENOVATION
66 ADELAIDE
DETROIT, MI

Date Issued
Bids & Permit 12/23/2020
BULLETIN #1 03/26/2021

Job Number
5122
SHEET TITLE
SECTION & DETAILS

Sheet Number
A2.2

Do not scale drawings - Use figured dimensions. CAD DWG 5122A2.1.DWG