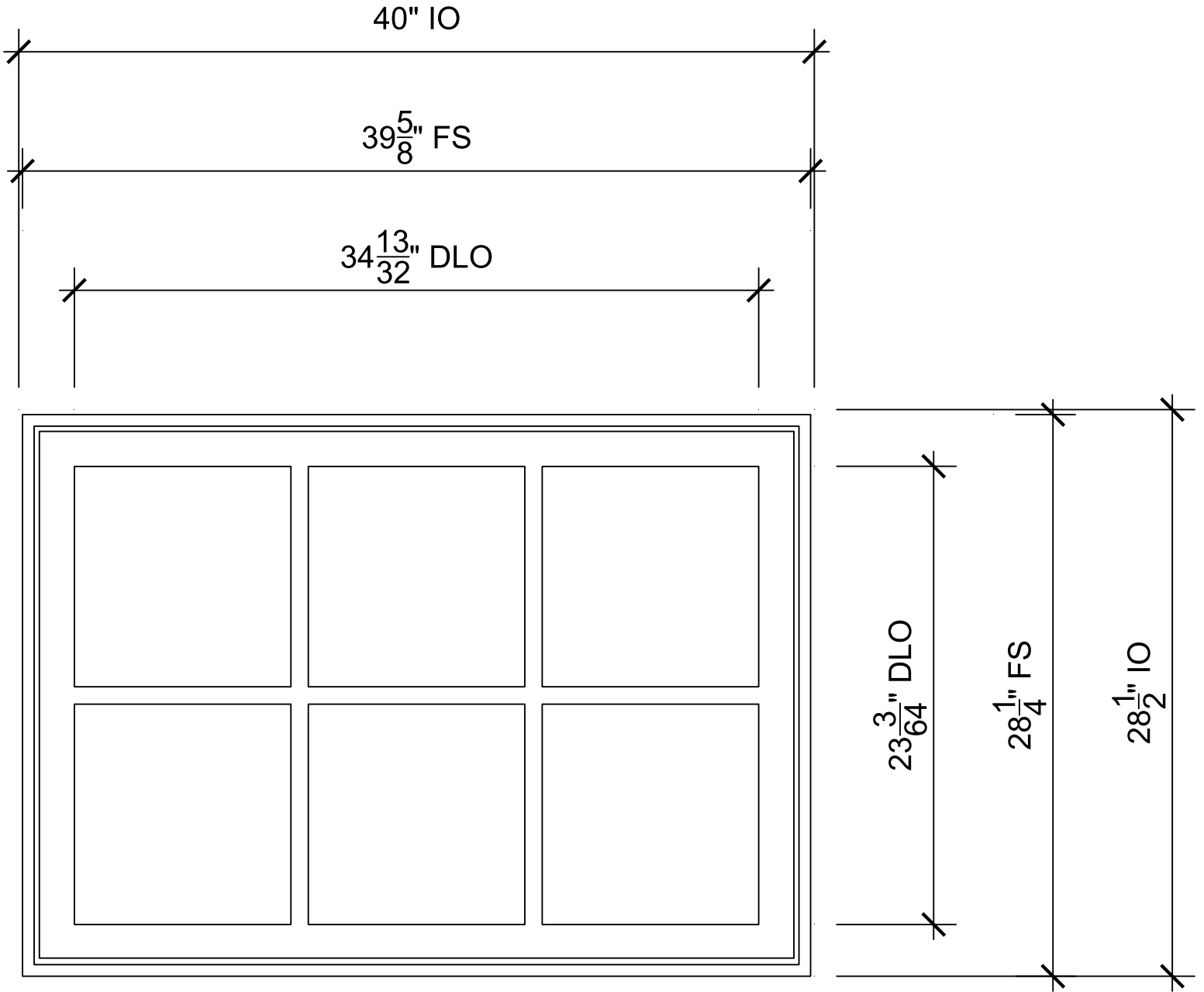
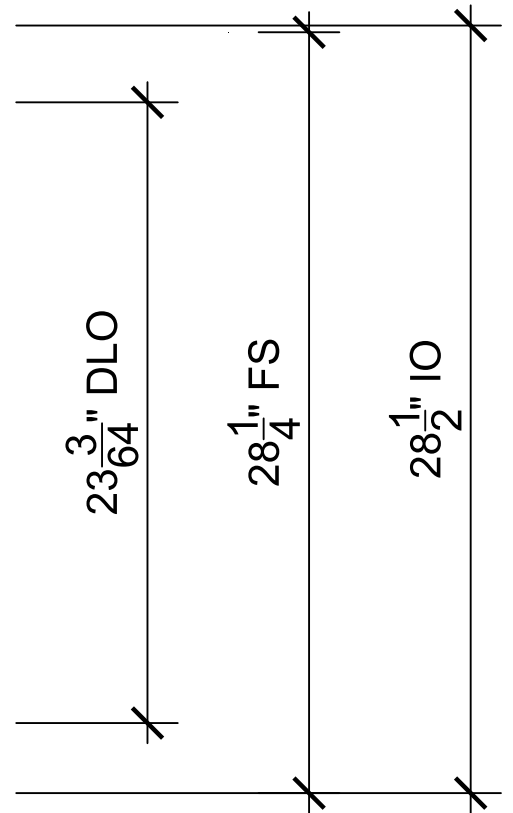
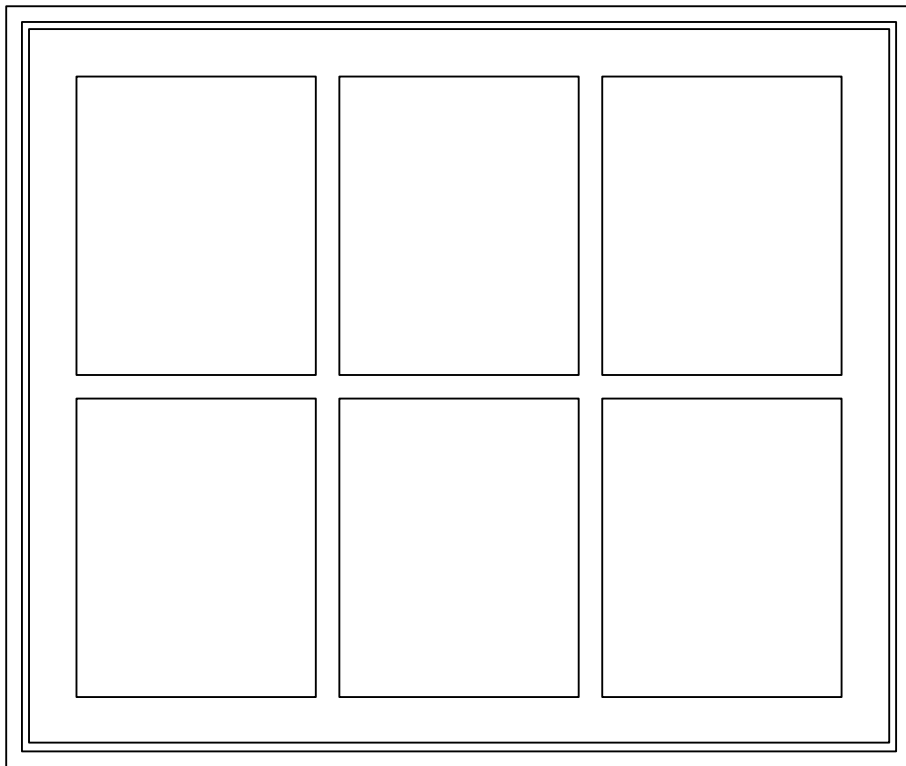
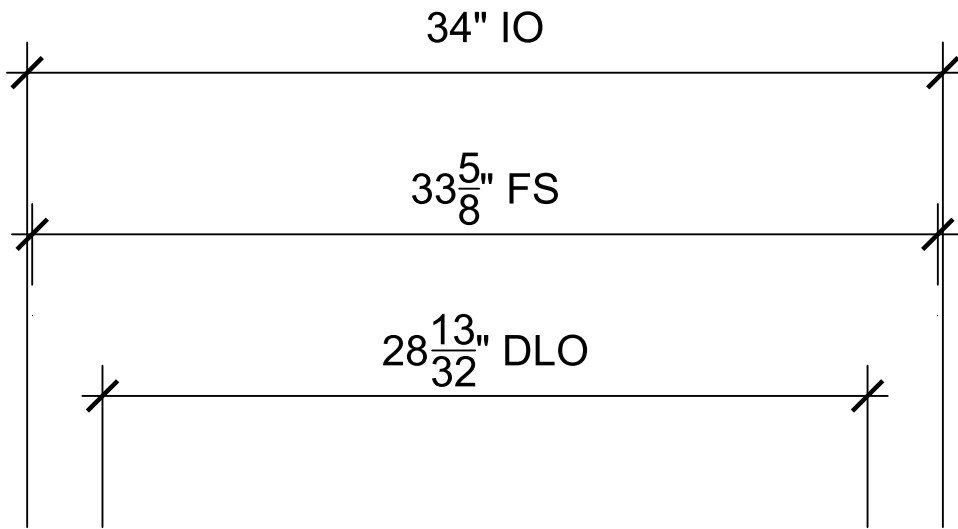


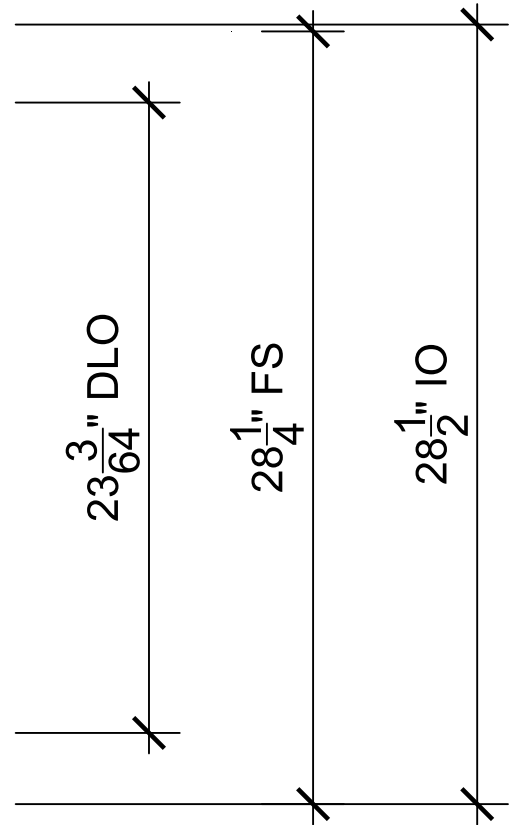
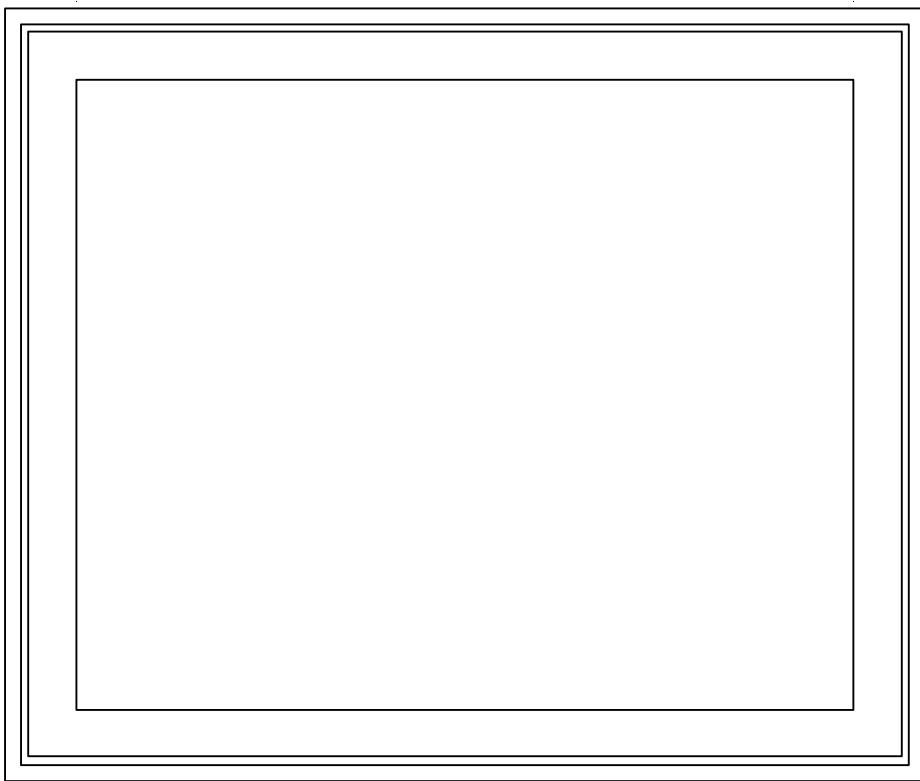
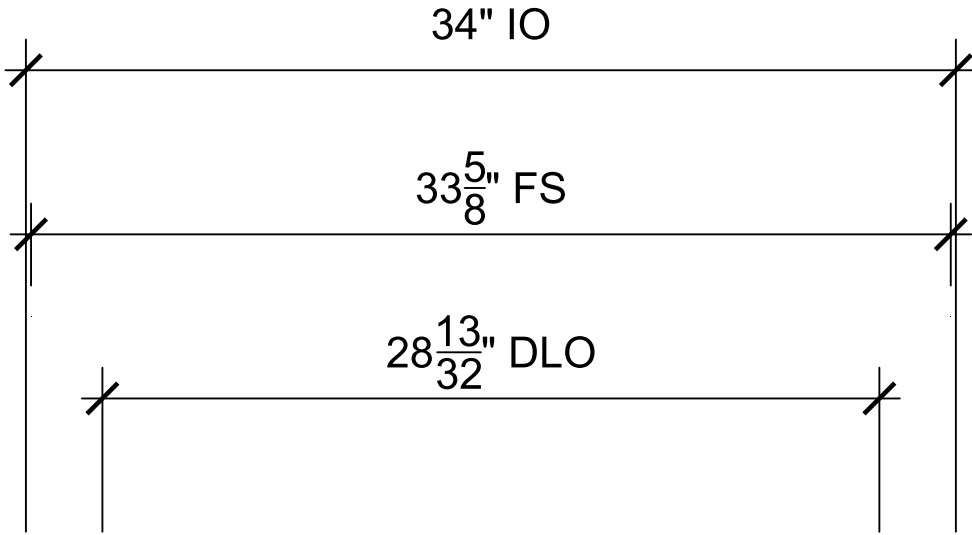
IO= INSIDE OPENING  
FS= FRAME SIZE  
DLO= DAY LIGHT OPENING  
MO= MASONARY OPENING  
RO=ROUGH OPENING



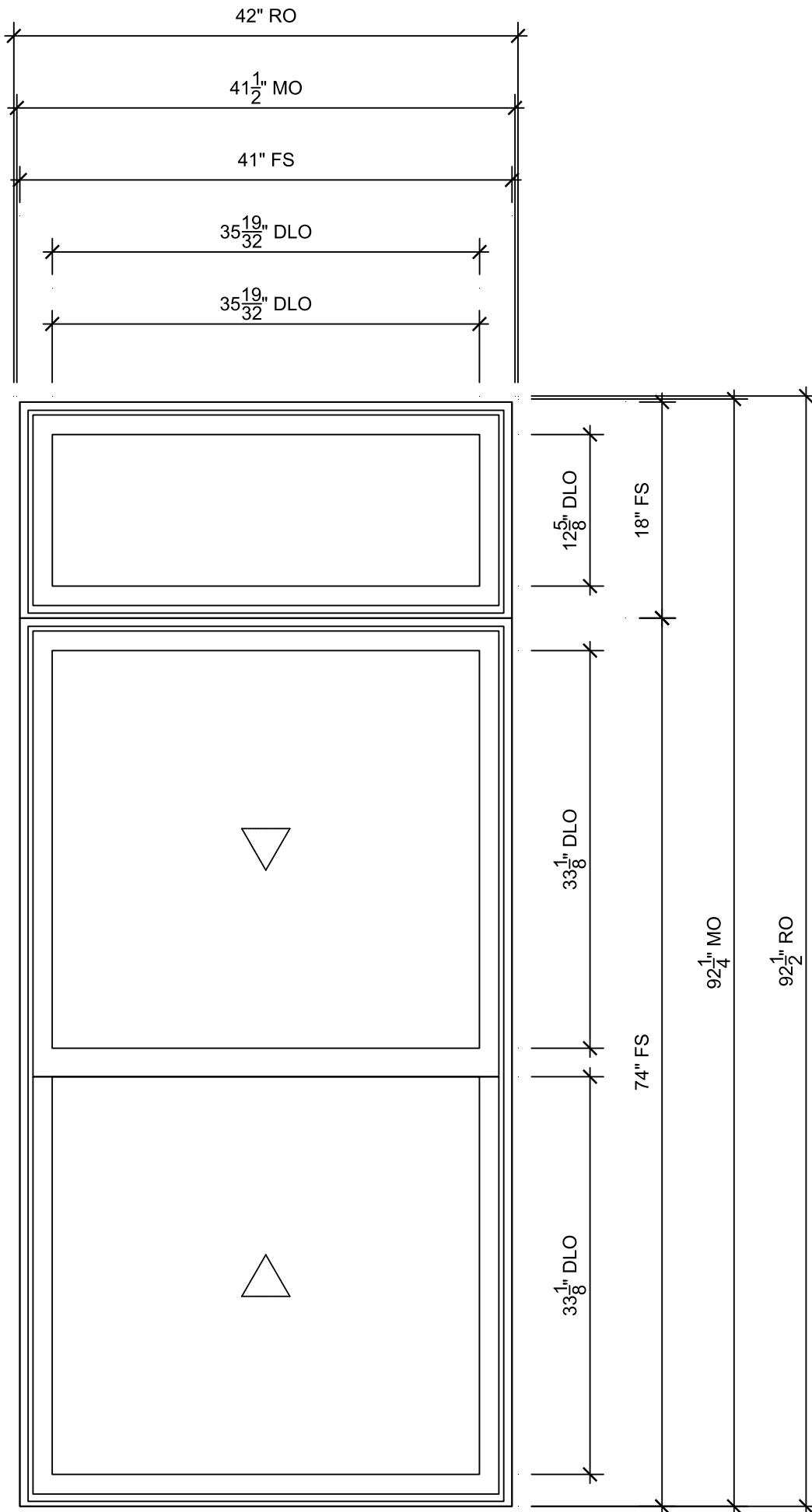
# 017 BASEMENT LAUNDRY



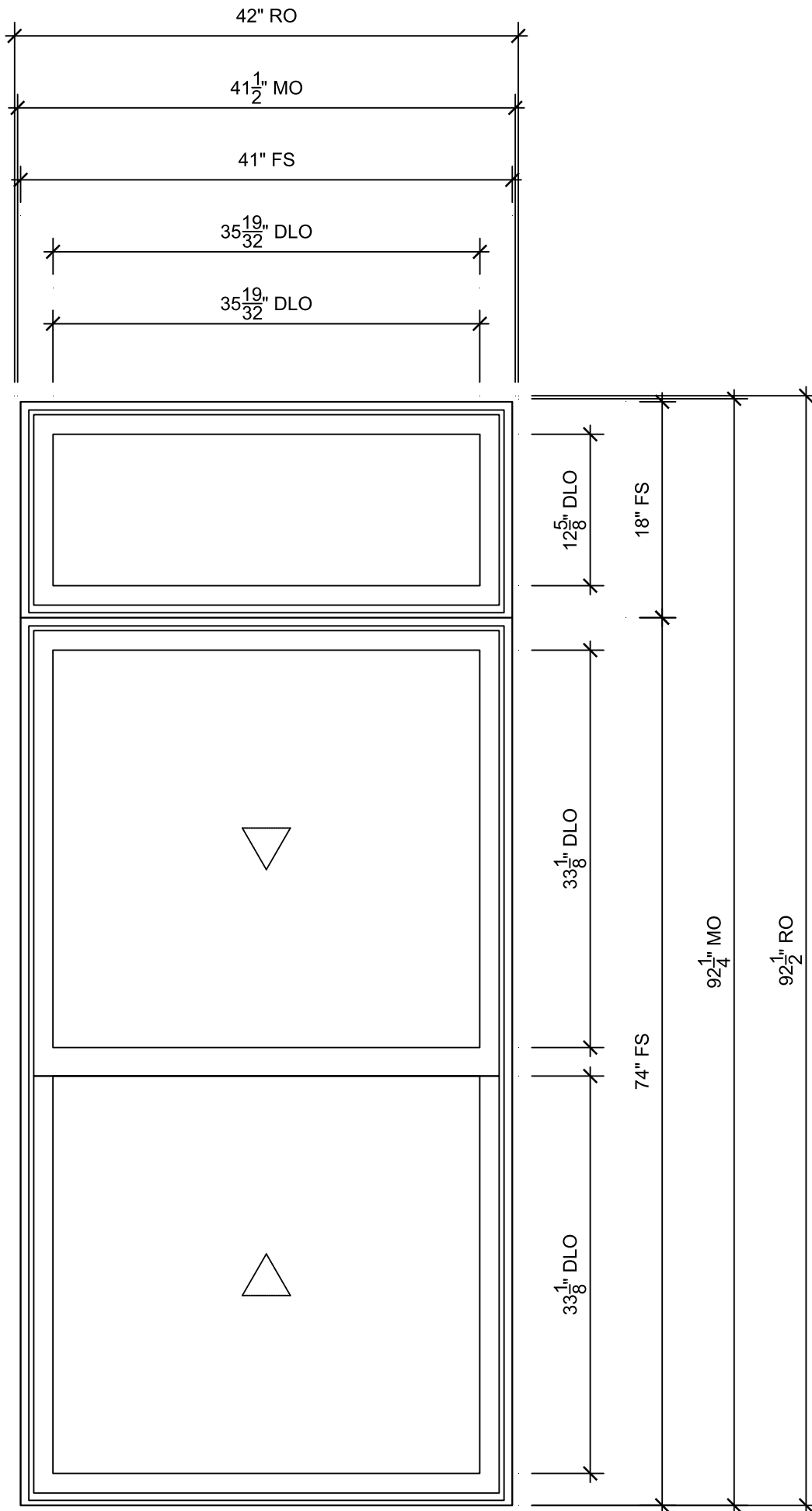
**018 BASEMENT LAUNDRY**



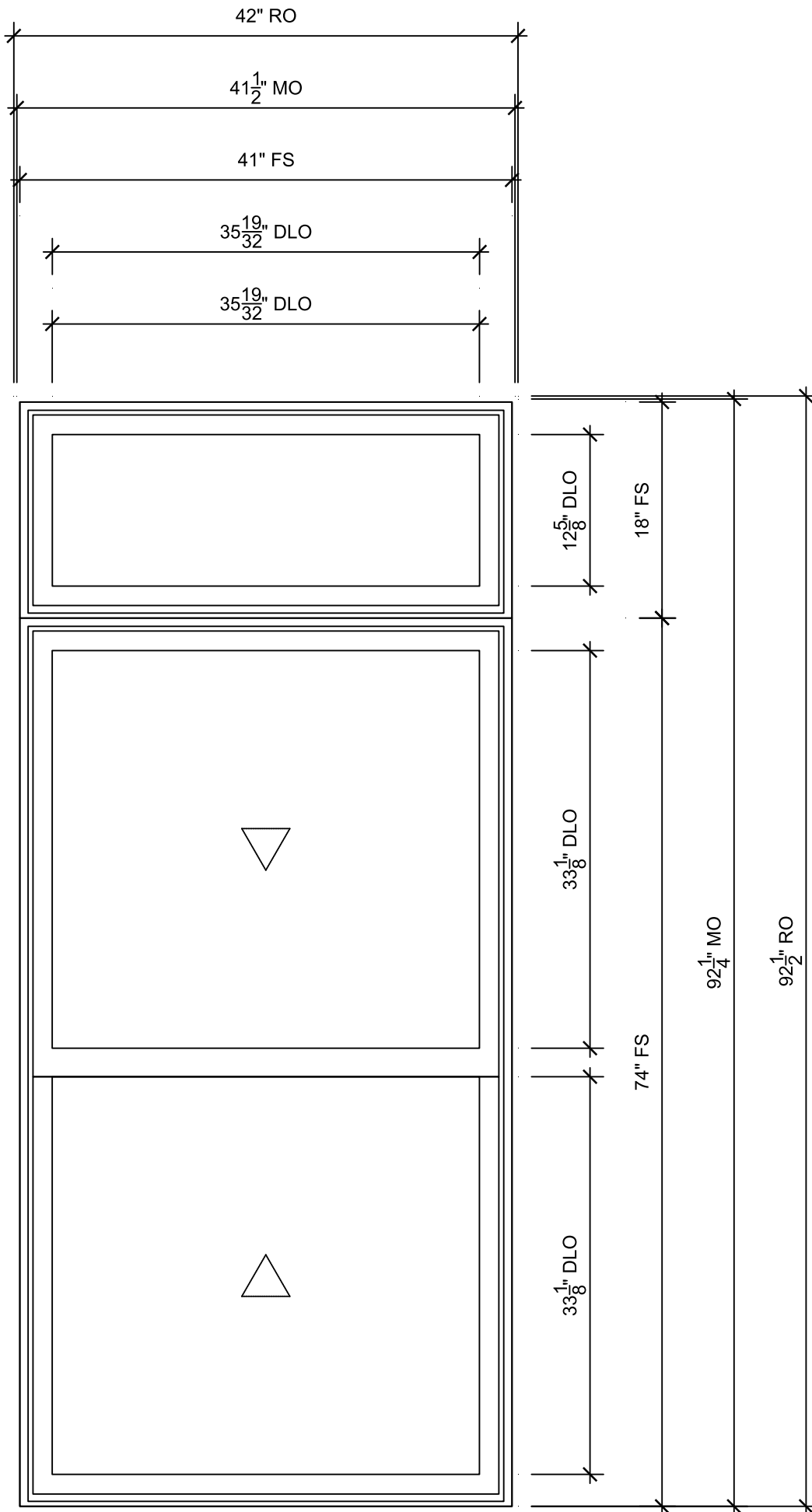
# 019 BASEMENT LAUNDRY



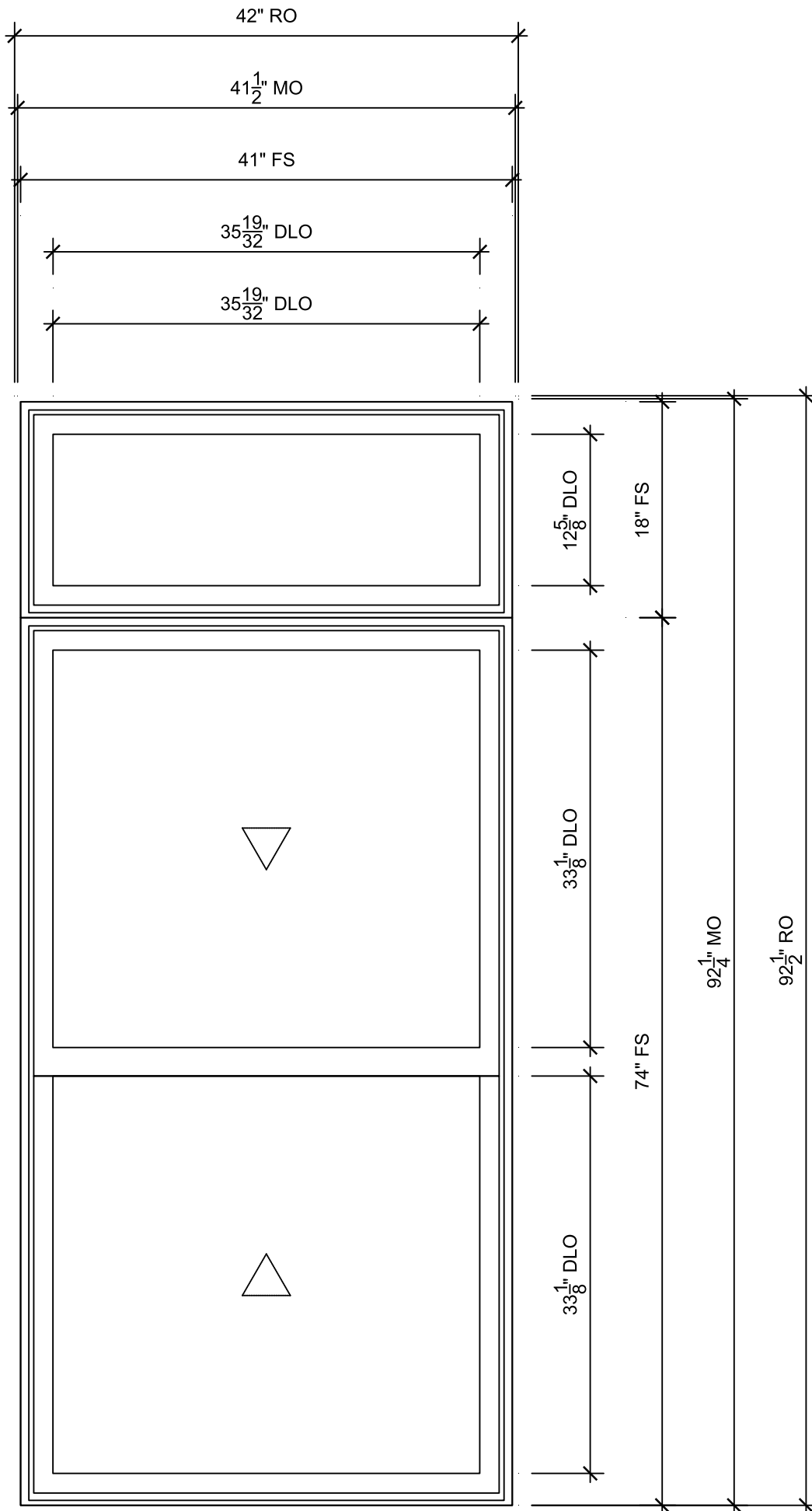
101 SIDE SUNROOM



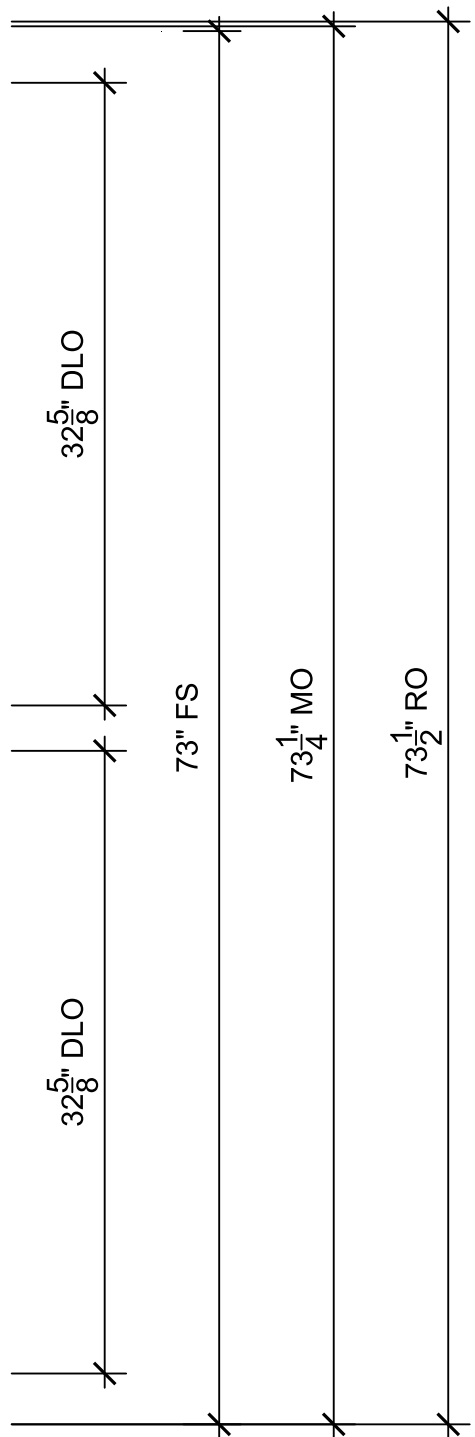
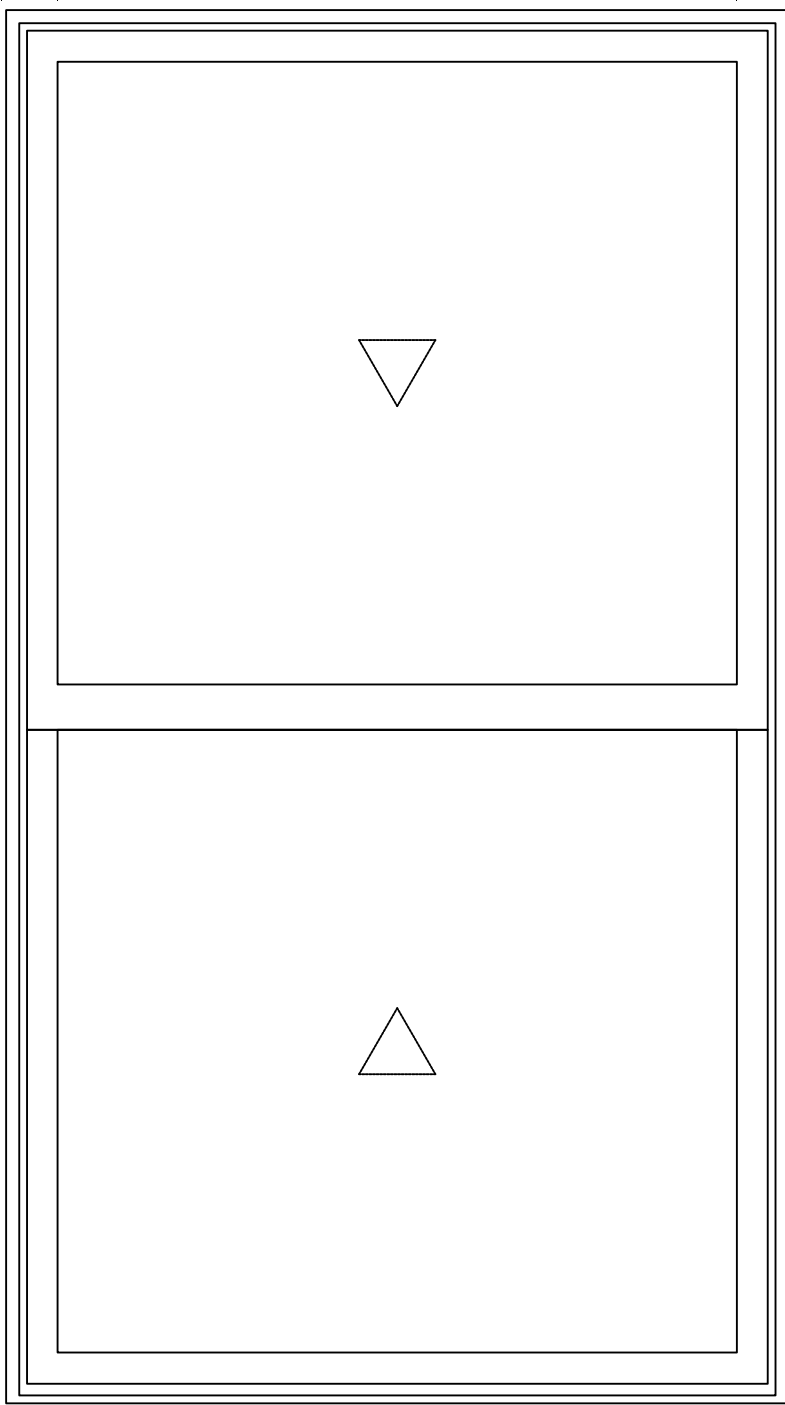
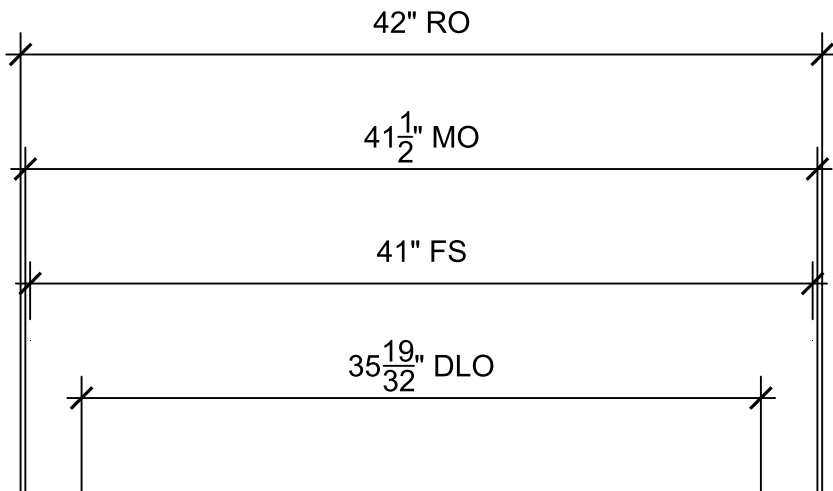
102 REAR SUNROOM



103 REAR SUNROOM

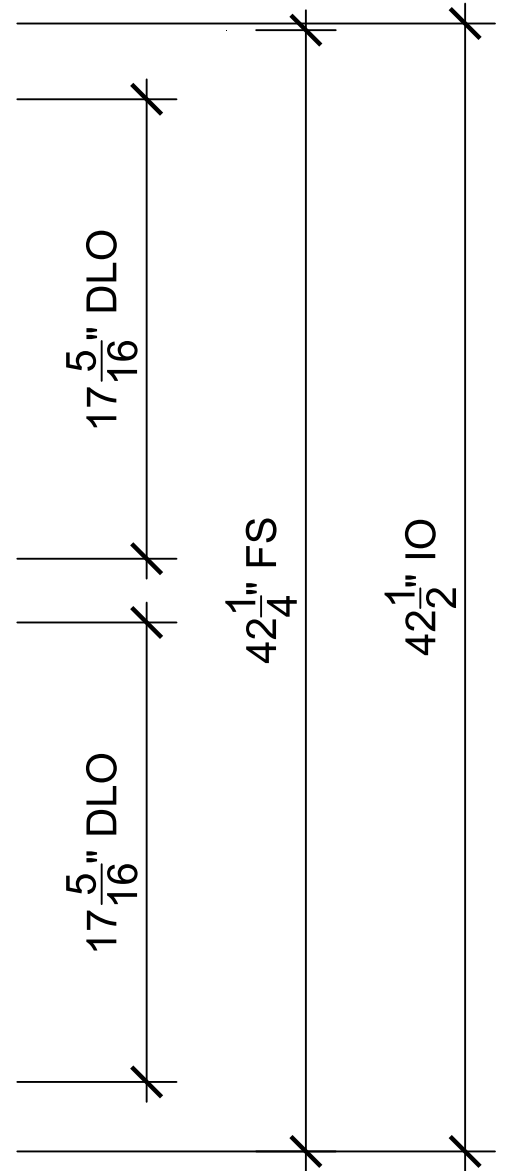
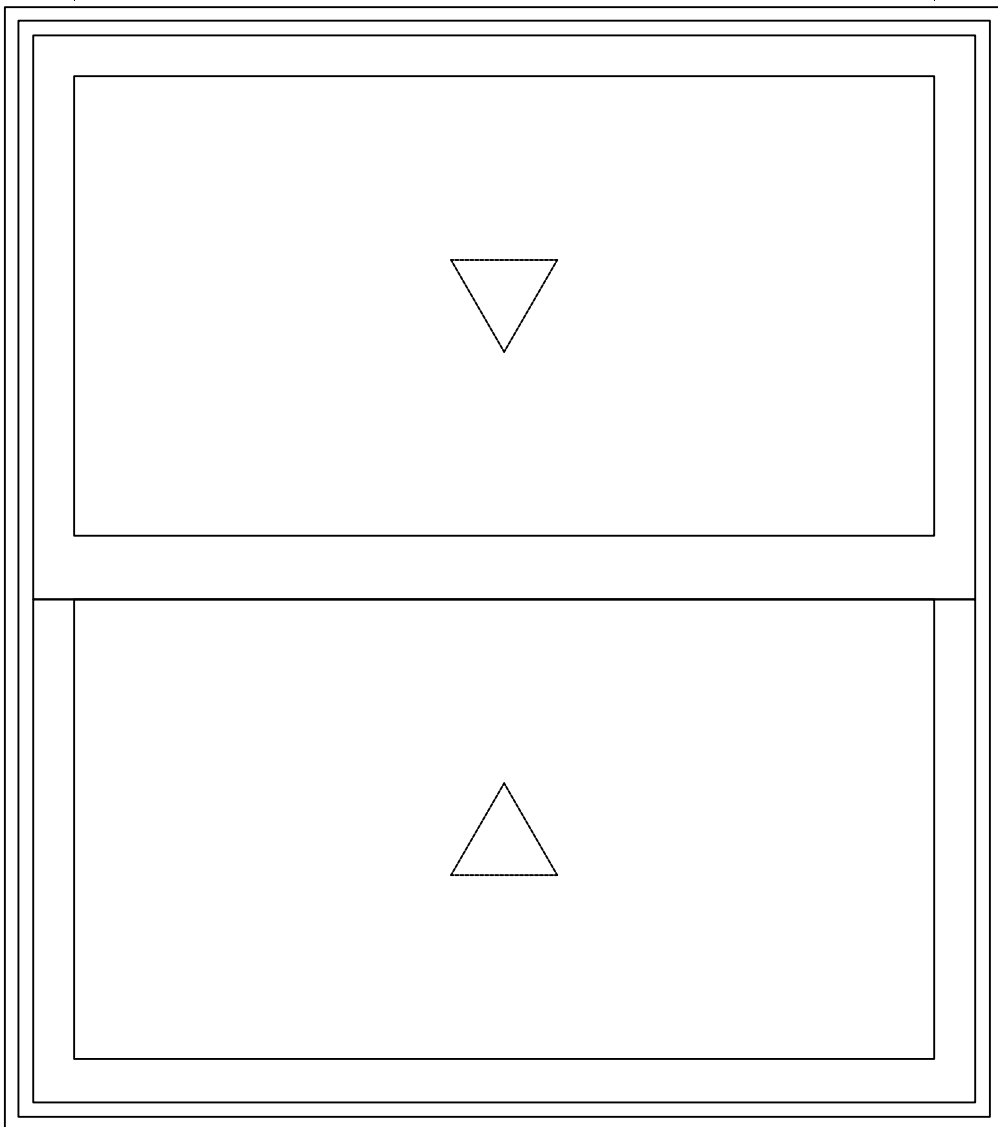
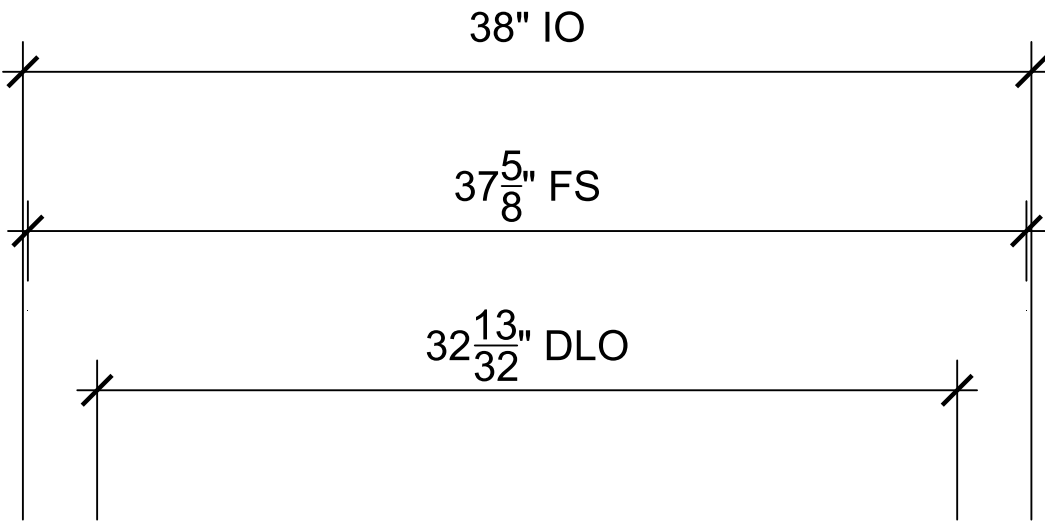


104 REAR SUNROOM

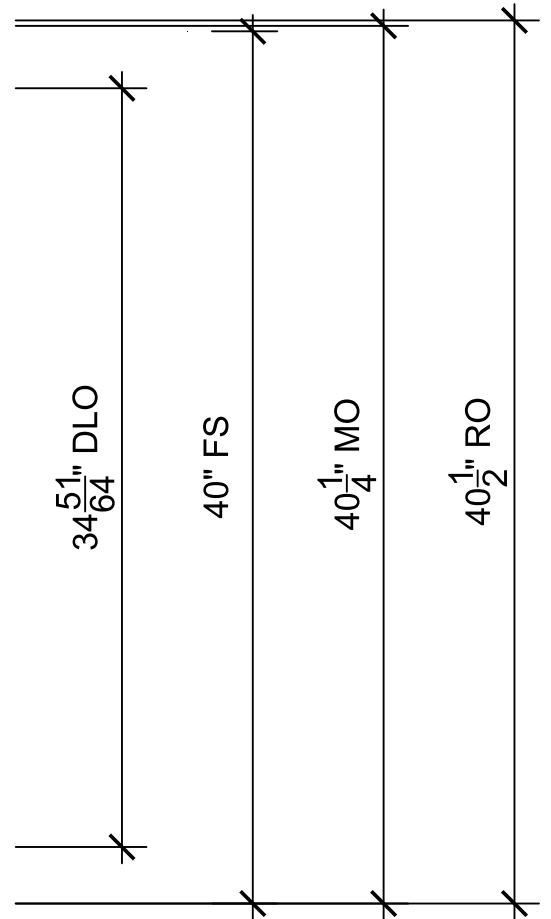
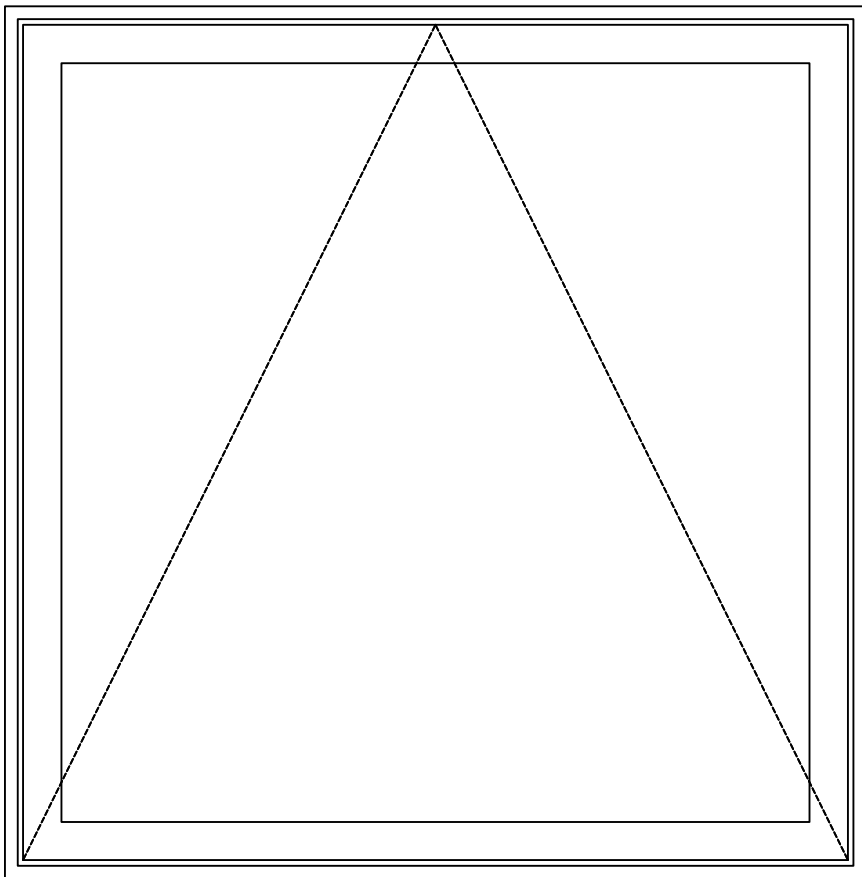
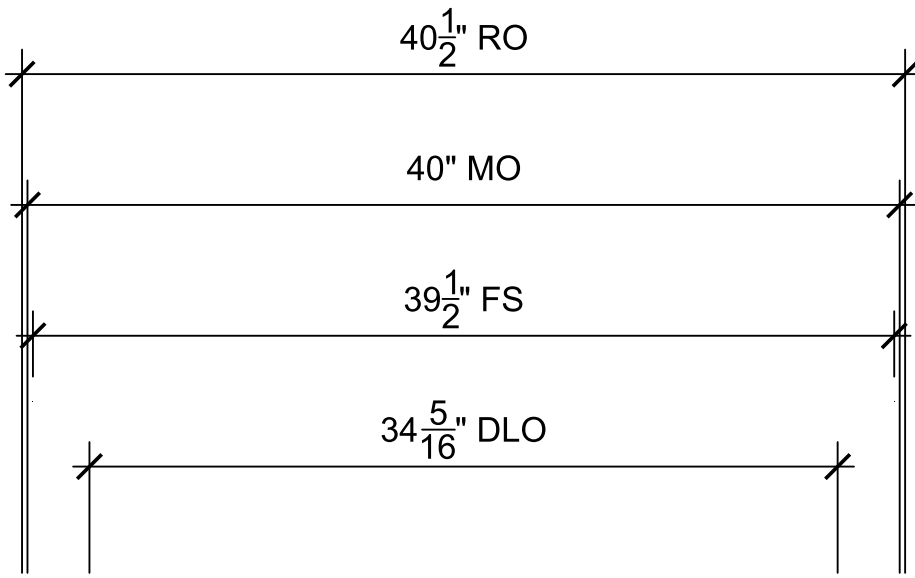


105 REAR SUNROOM

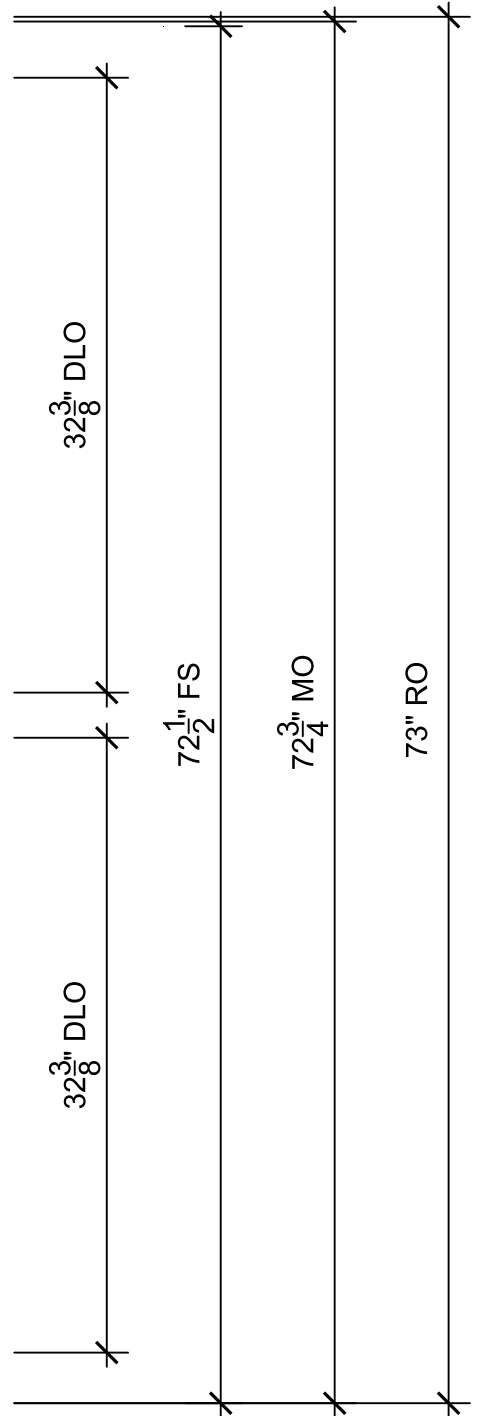
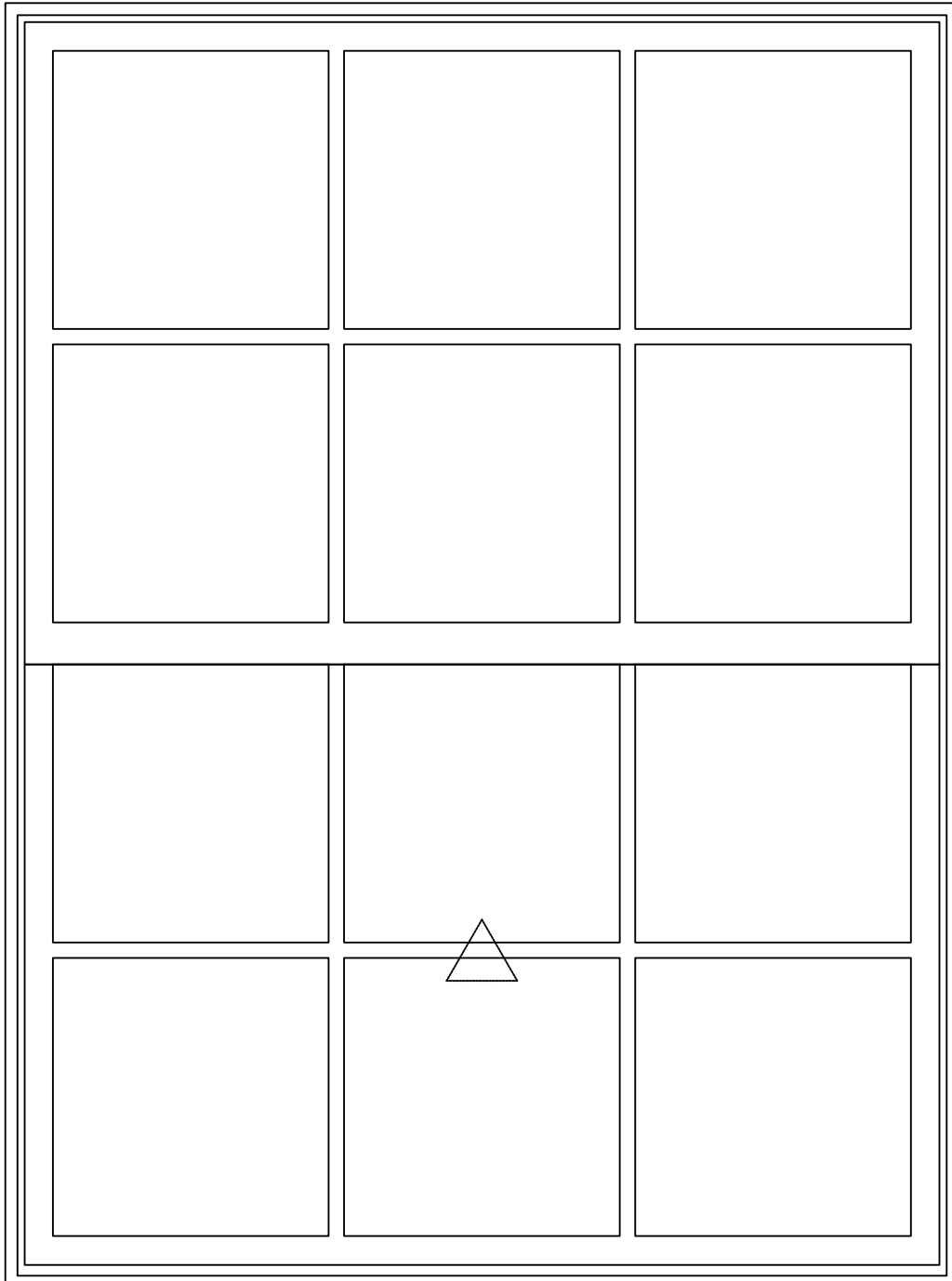
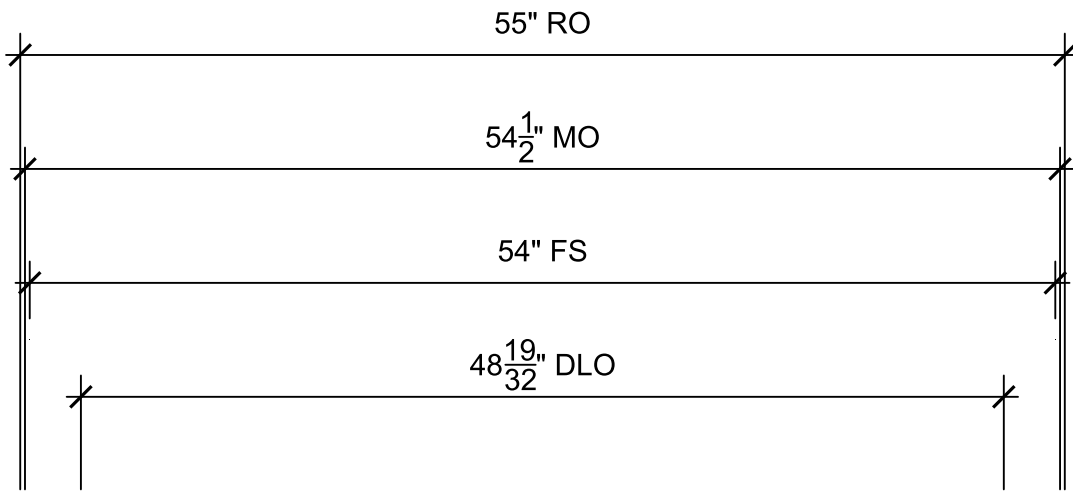




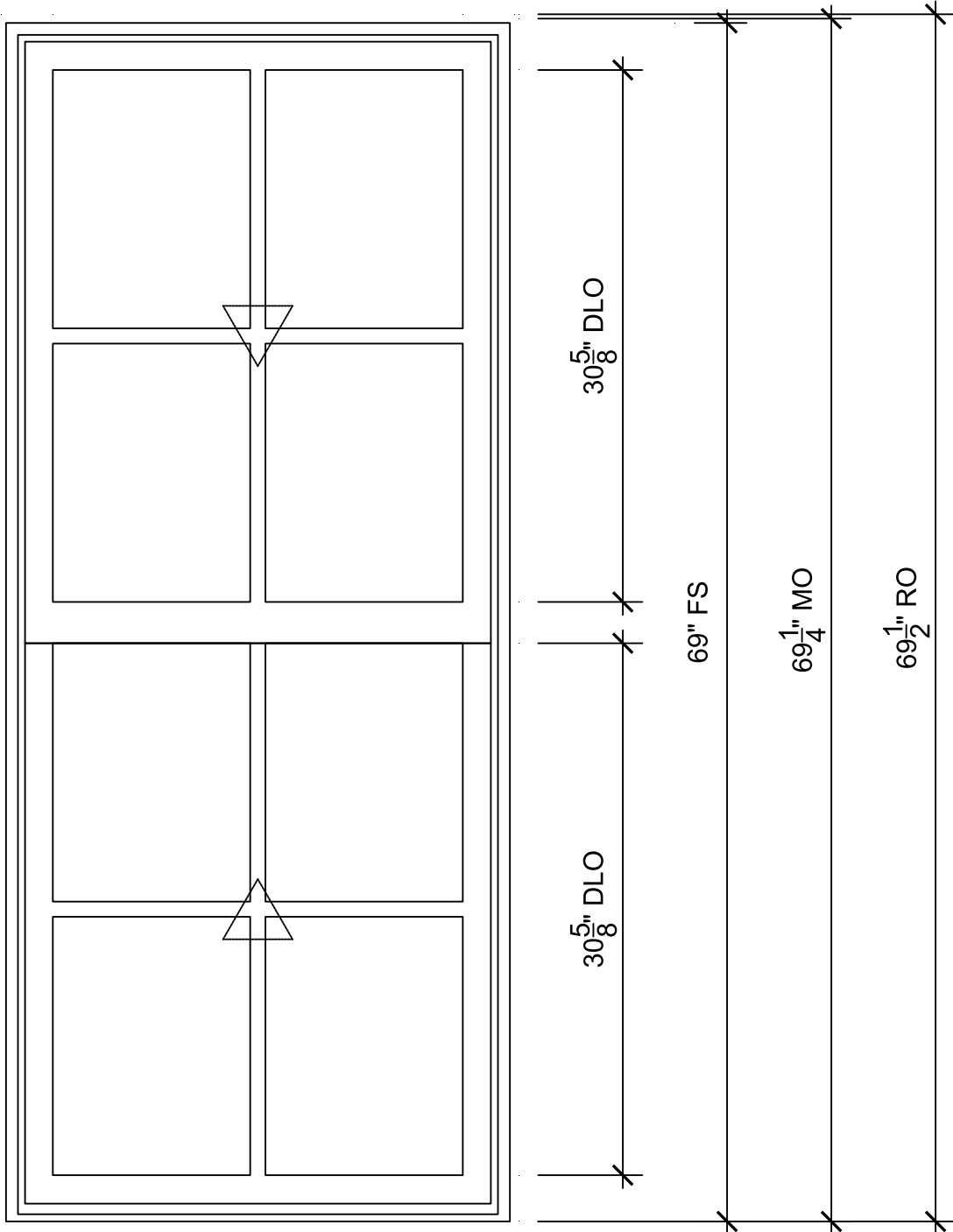
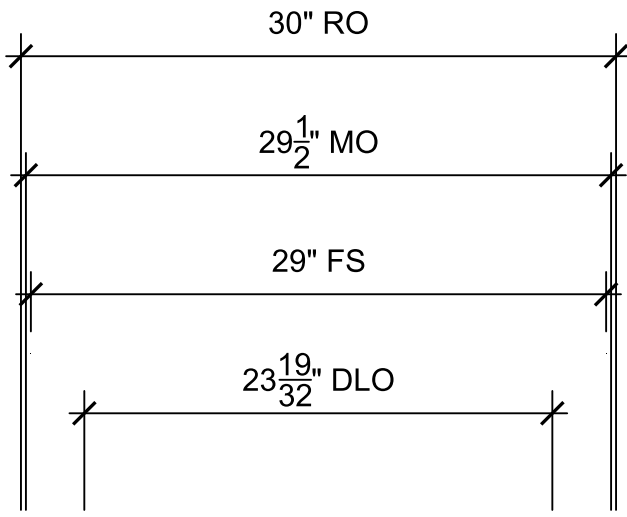
**106 KITCHEN BTW. WALL**



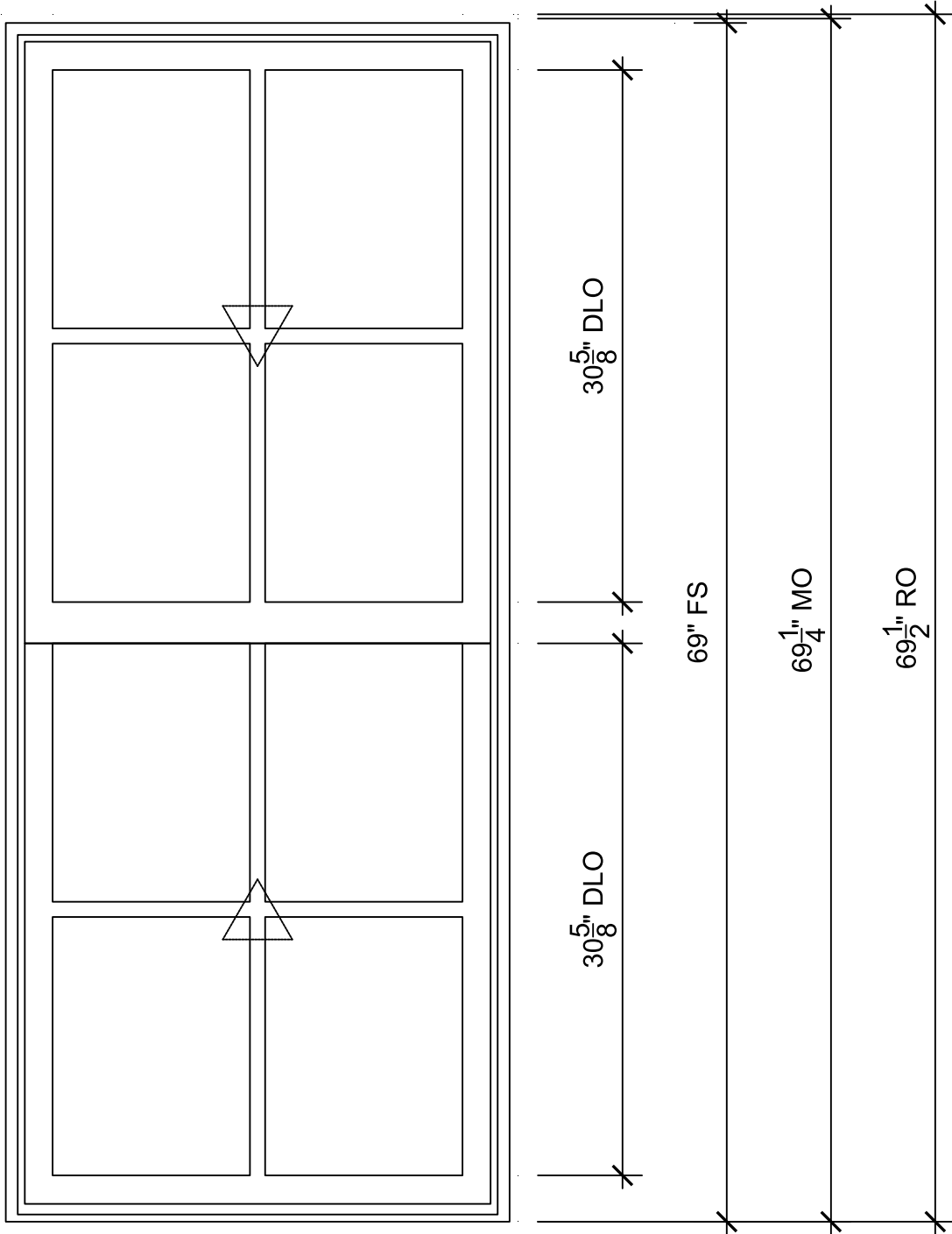
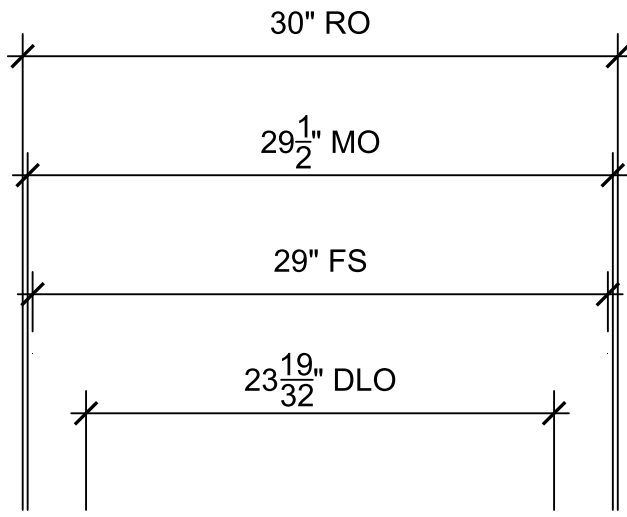
107 REAR KITCHEN ABOVE SINK



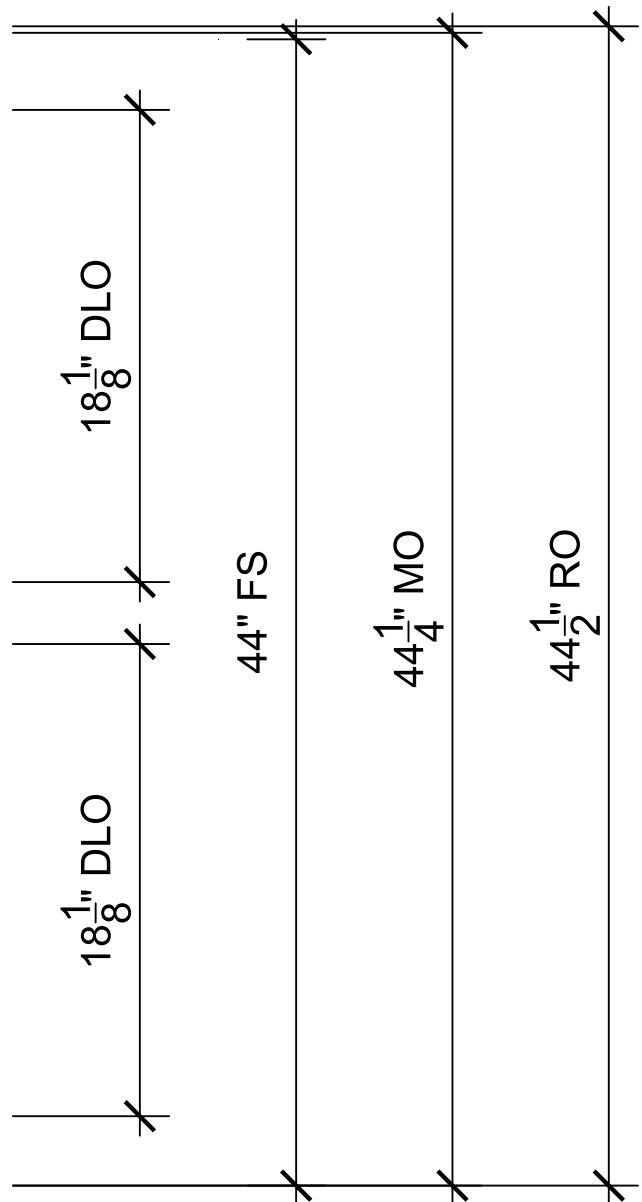
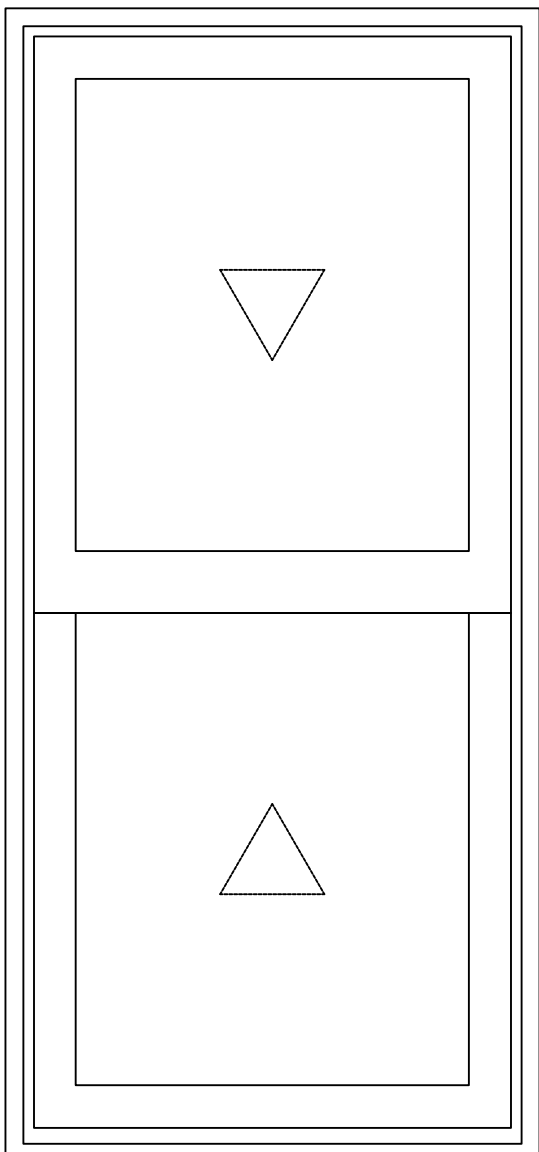
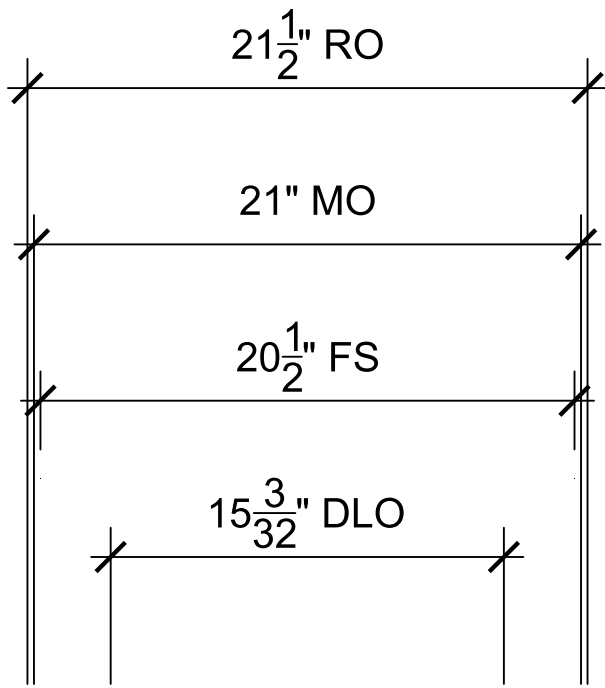
108 REAR STAIRCASE



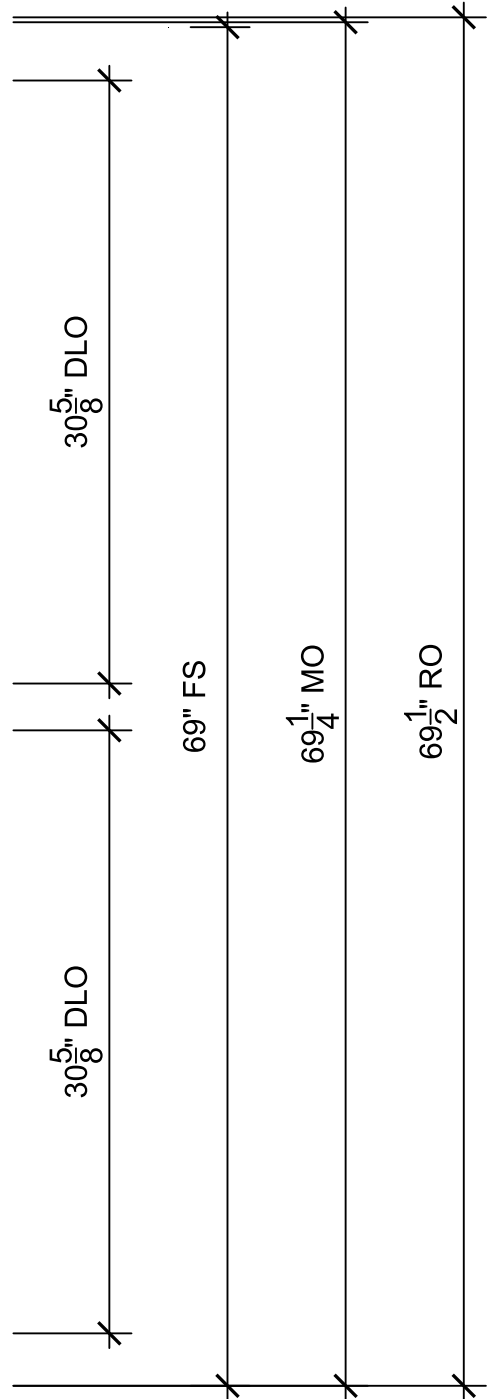
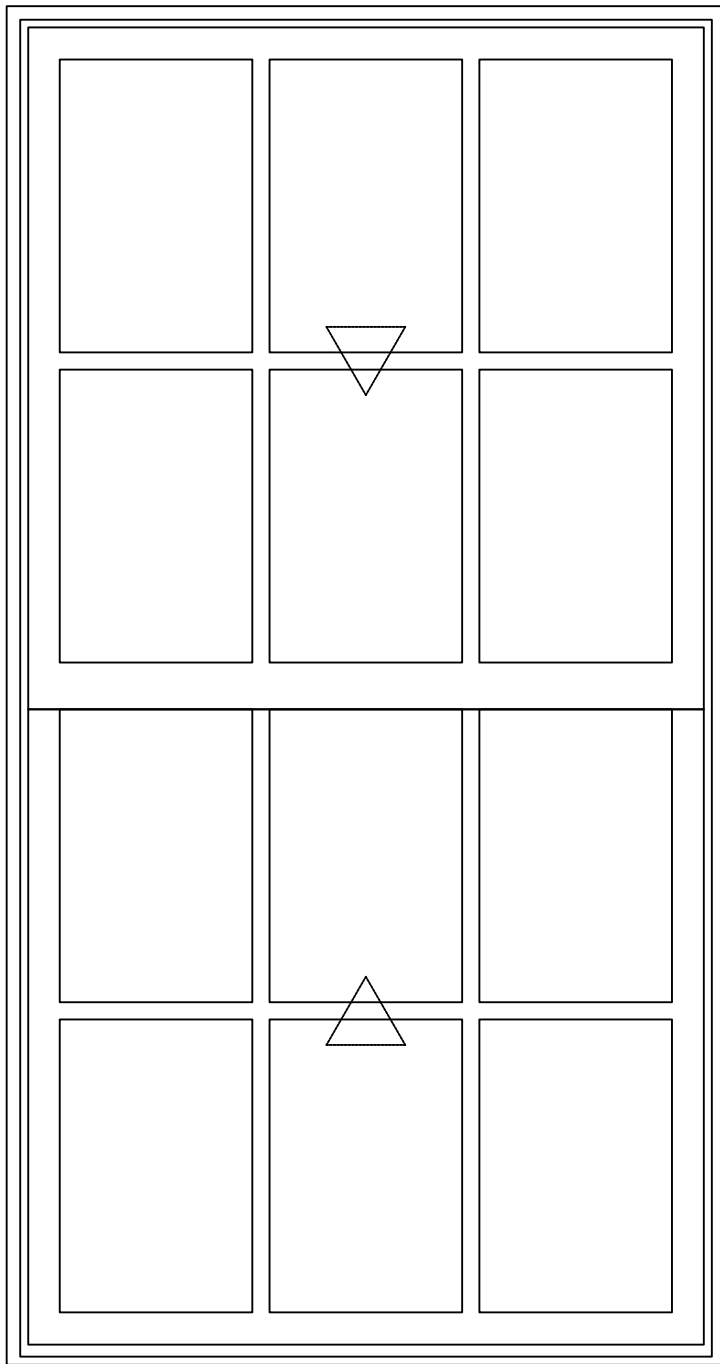
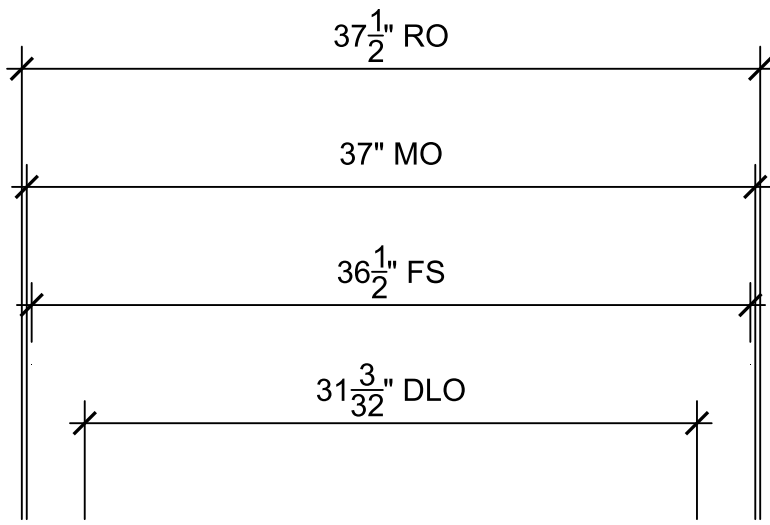
109 REAR SIDE PANTRY



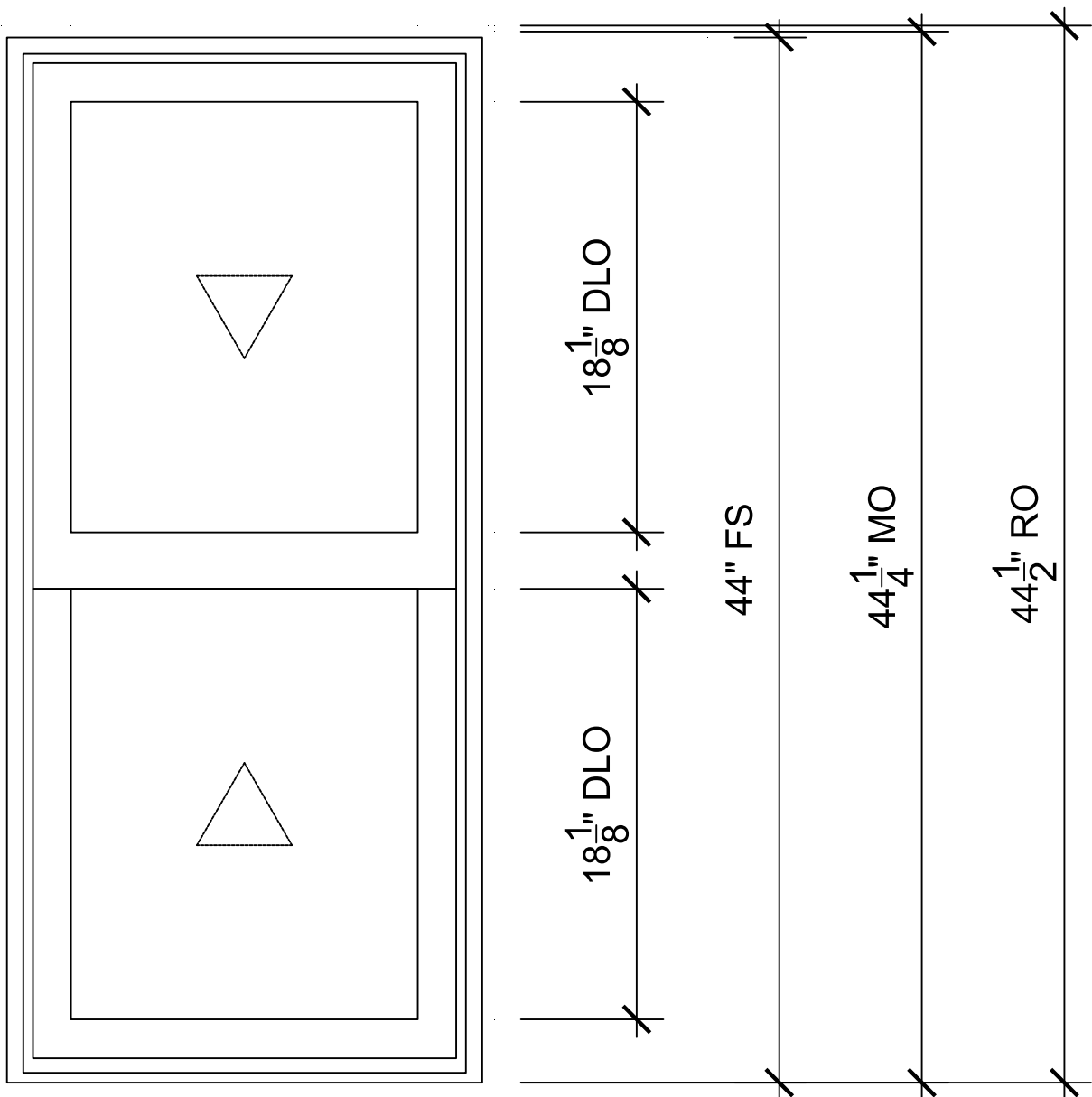
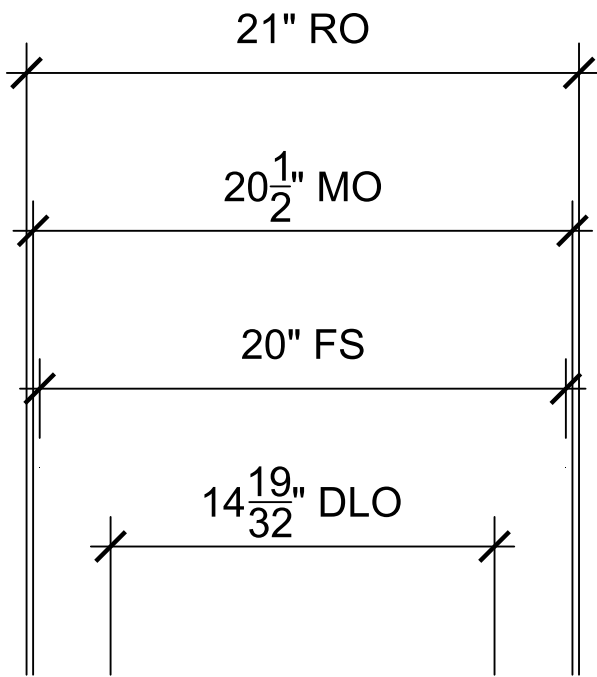
**110 SIDE PANTRY**



**111 SIDE BATH**

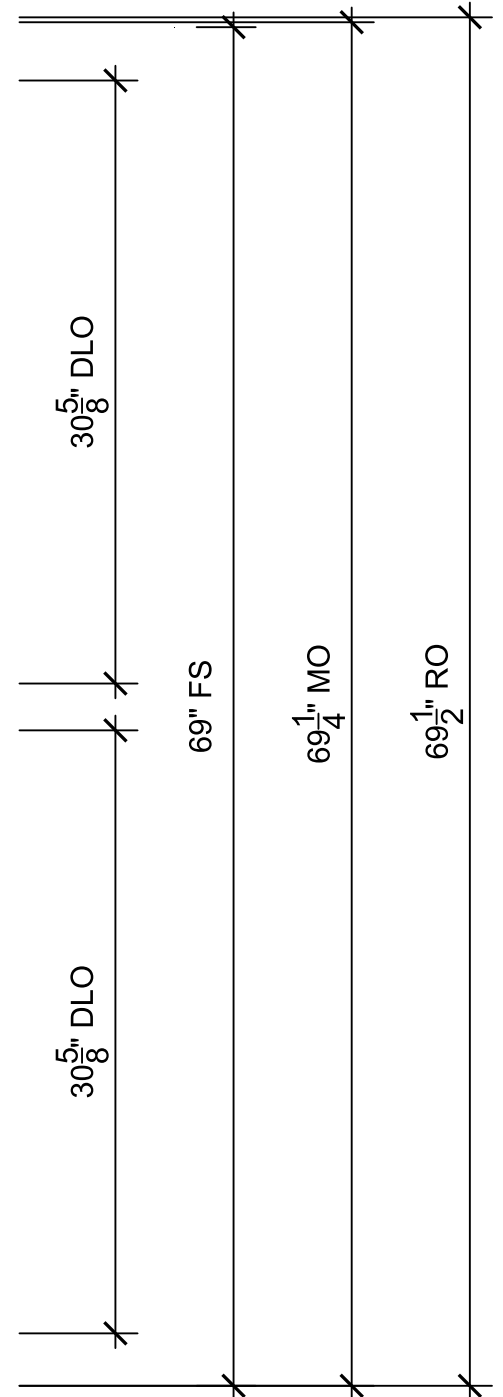
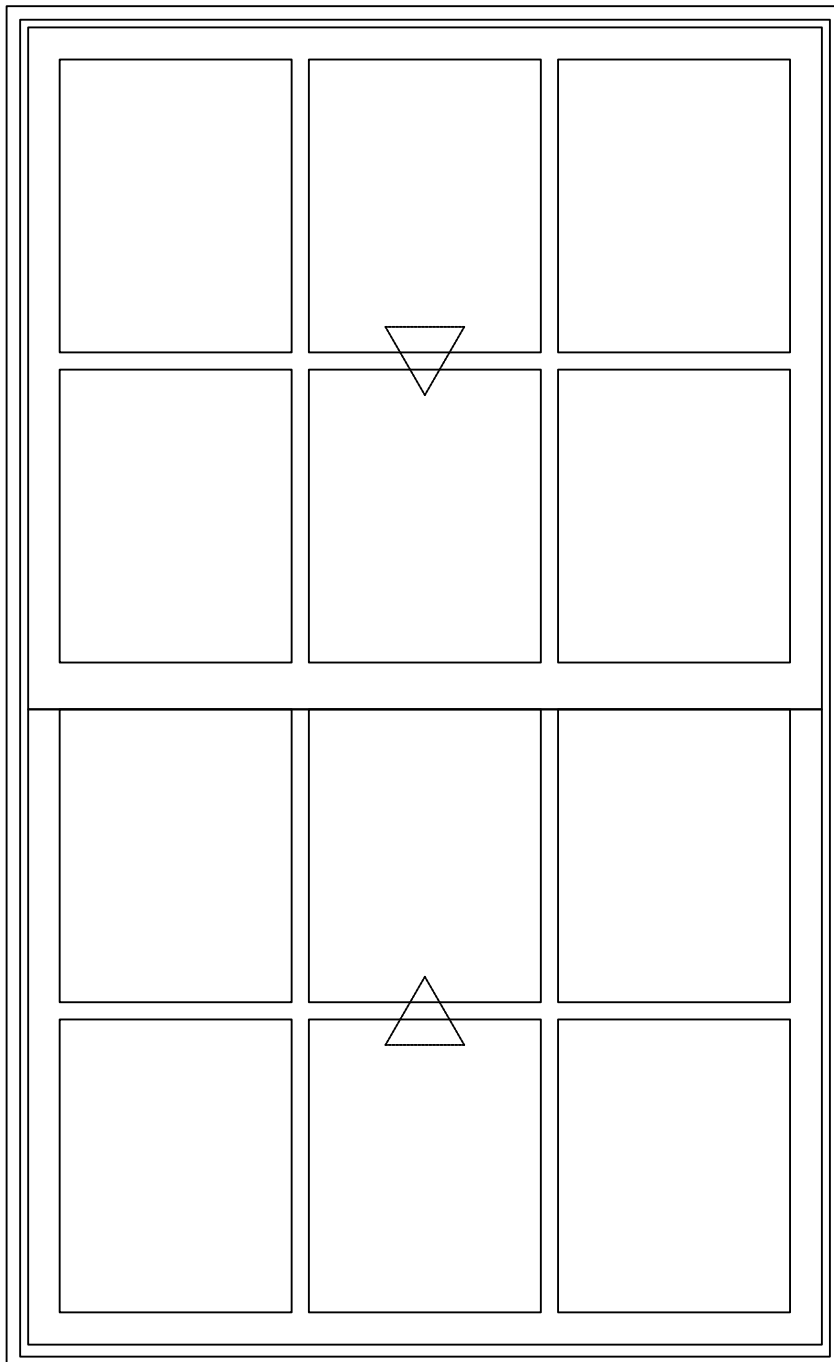
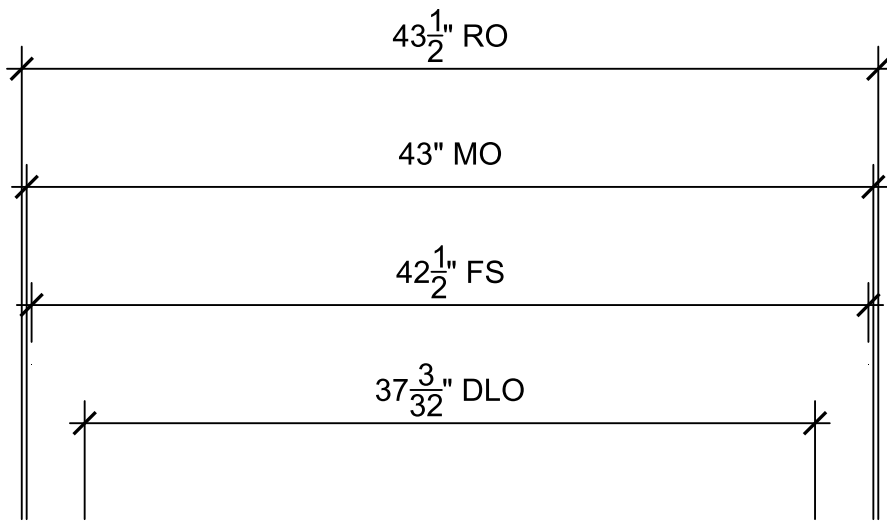


112 SIDE FOYER

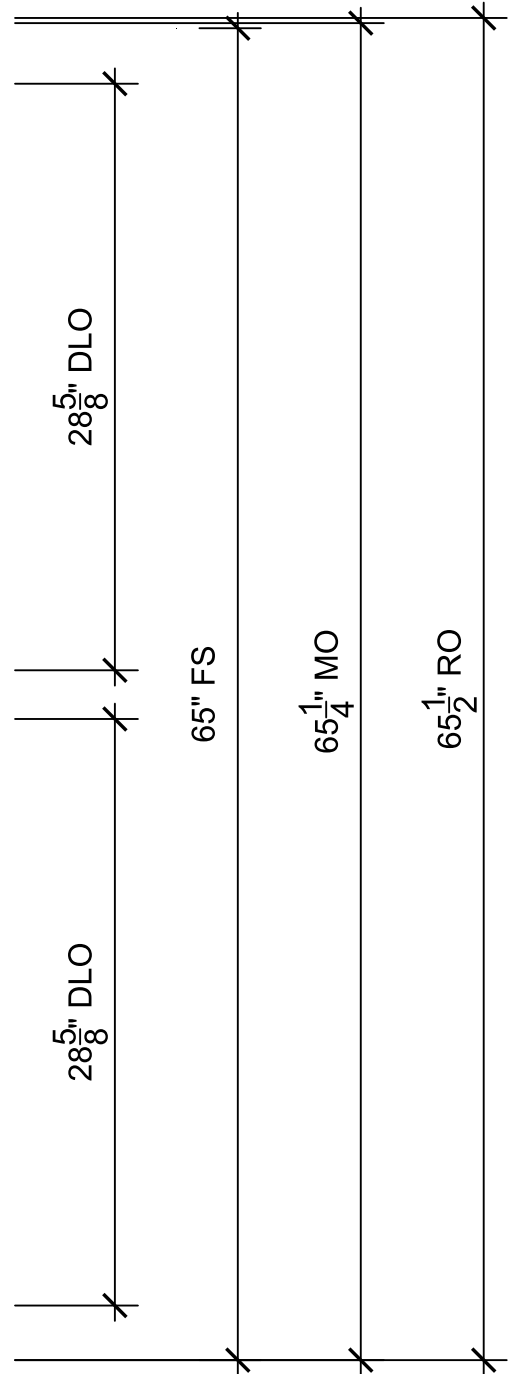
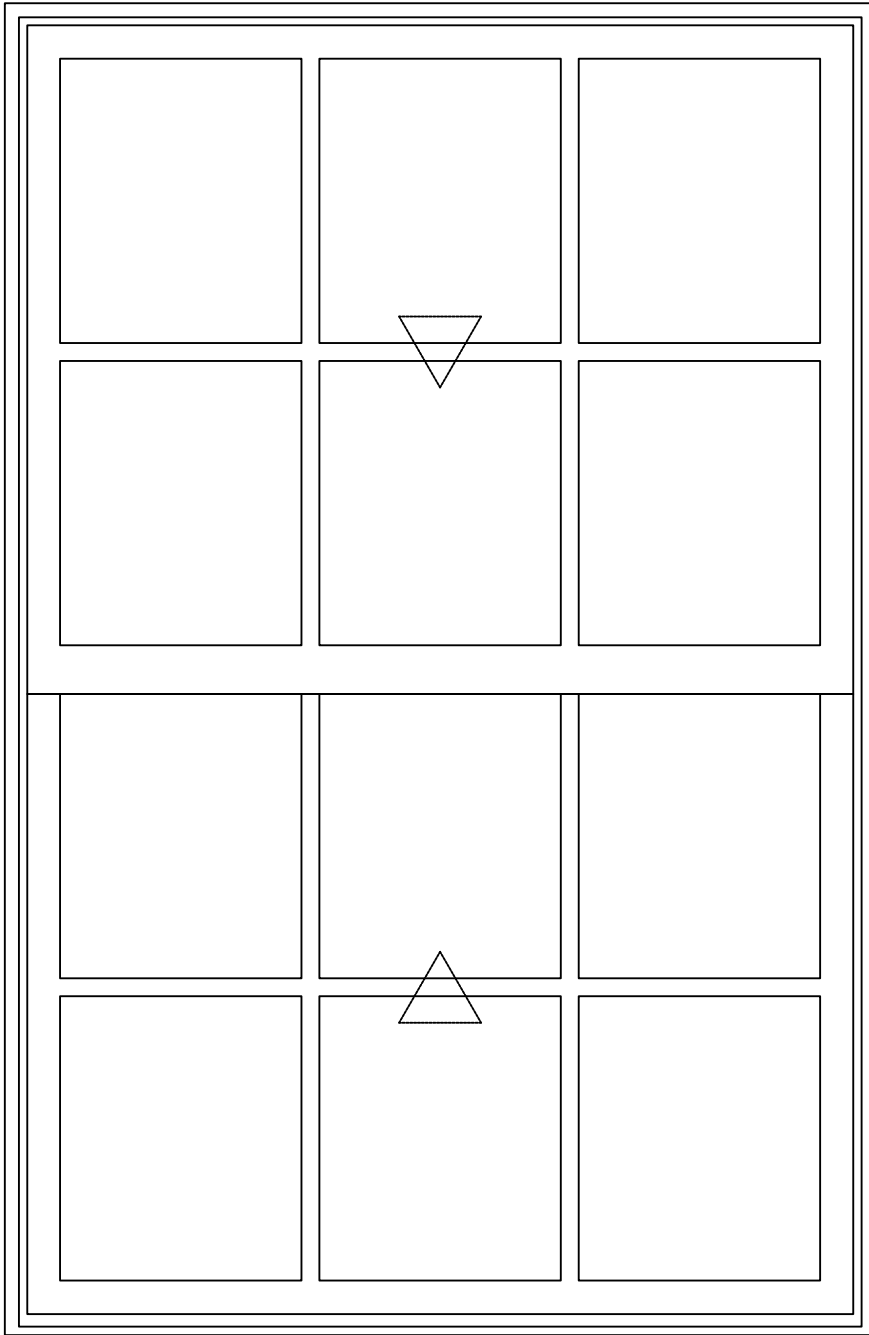
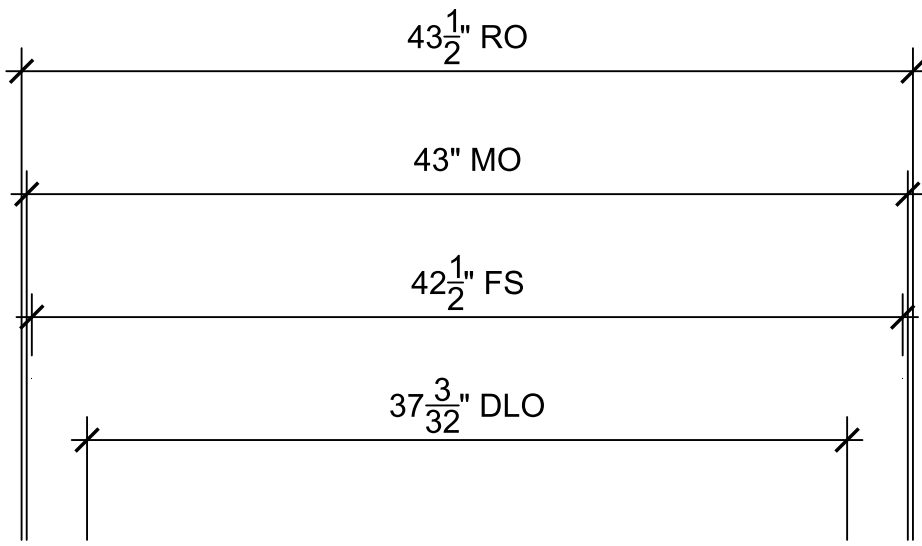


# 113 SIDE CLOSET

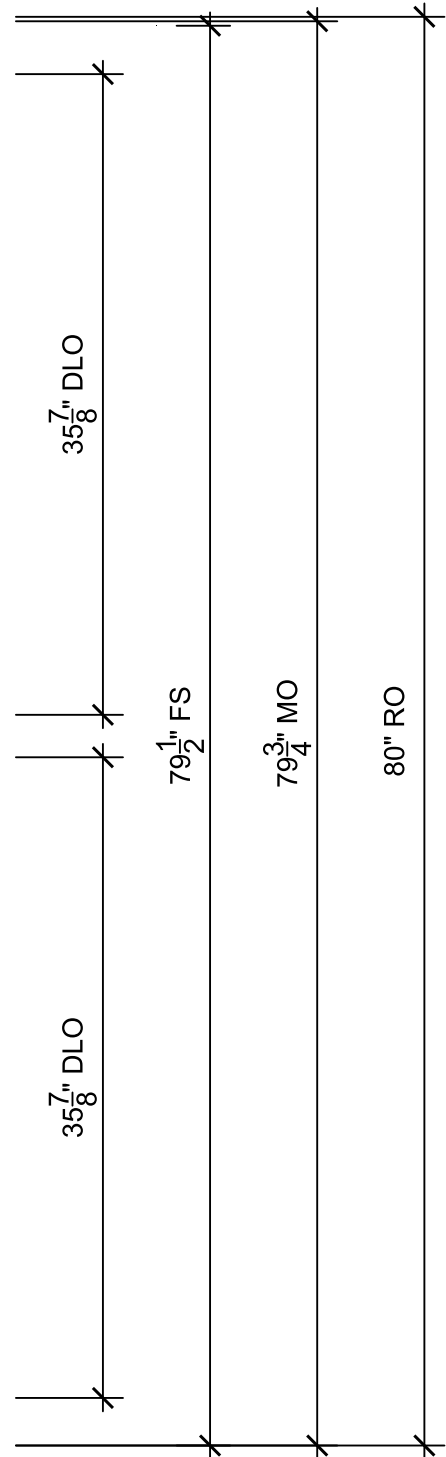
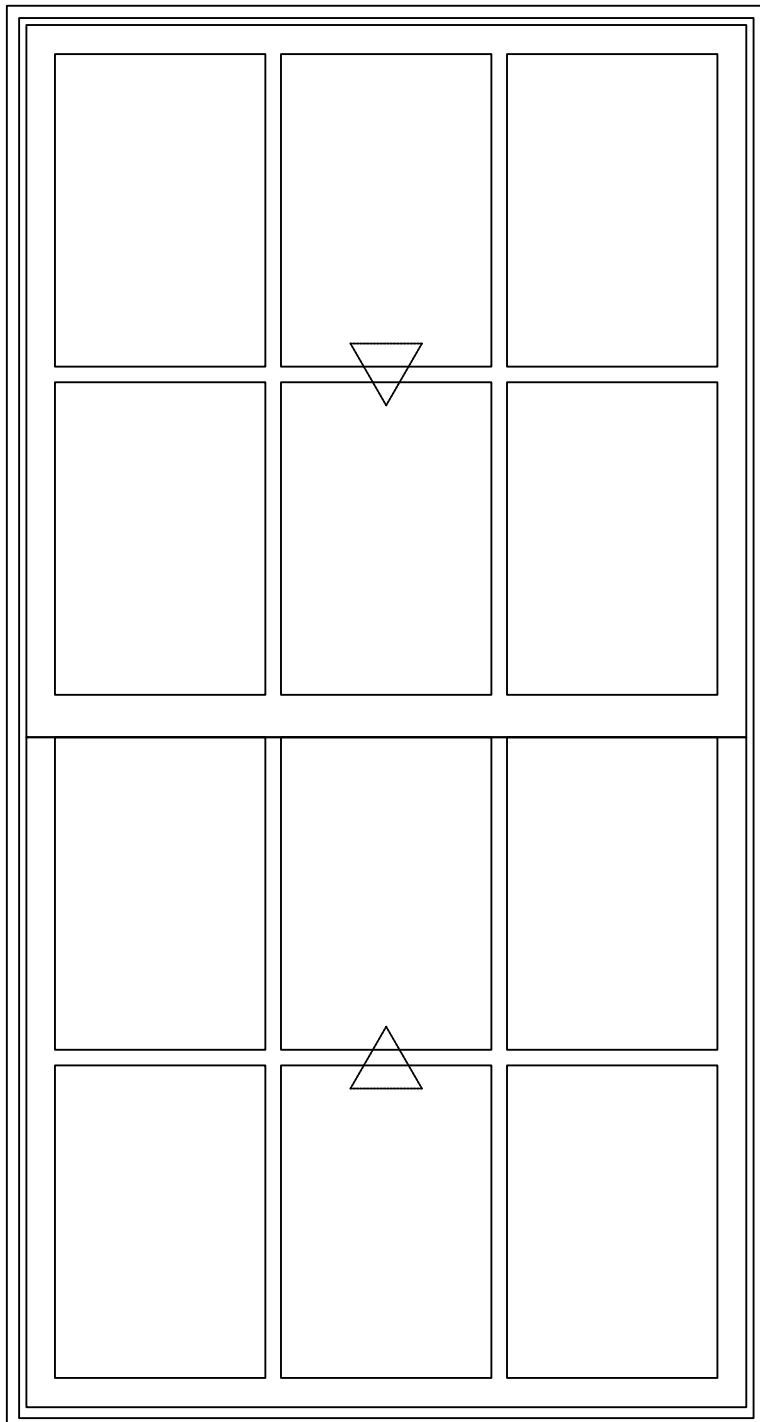
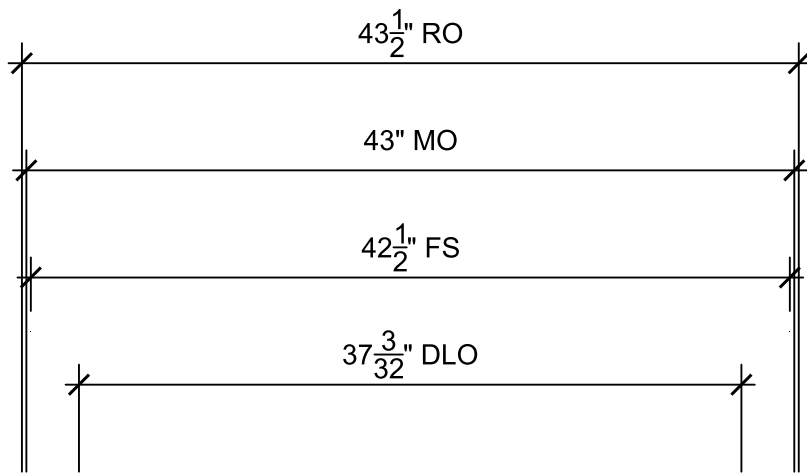




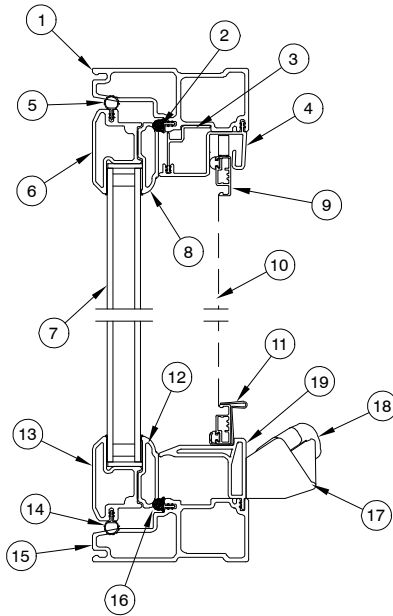
**114 SIDE LIVING ROOM**



215 UPPER SONS ROOM

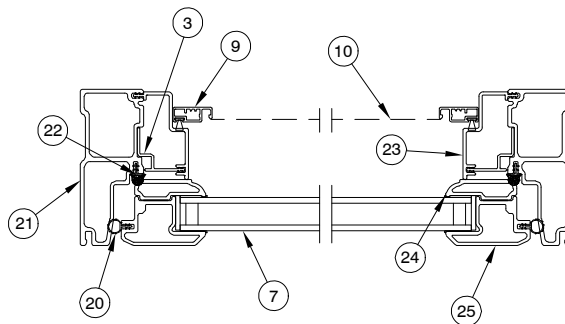


**216 FRONT SONS ROOM**



1. Head Jamb
2. Head Jamb Weather Strip
3. Tie Bar and Cover Retainer
4. Head Jamb Cover
5. Top Rail Weather Strip
6. Exterior Top Rail
7. Insulating Glass
8. Interior Top Rail
9. Screen Frame
10. Screen Mesh
11. Screen Lift
12. Interior Bottom Rail
13. Exterior Bottom Rail
14. Bottom Rail Weather Strip
15. Sill
16. Sill Weather Strip
17. Folding Crank Cover
18. Folding Crank Handle
19. Sill Cover

**Head Jamb  
and Sill**



**Jamb**

NOTE: Not to scale; specifications subject to change without notice.