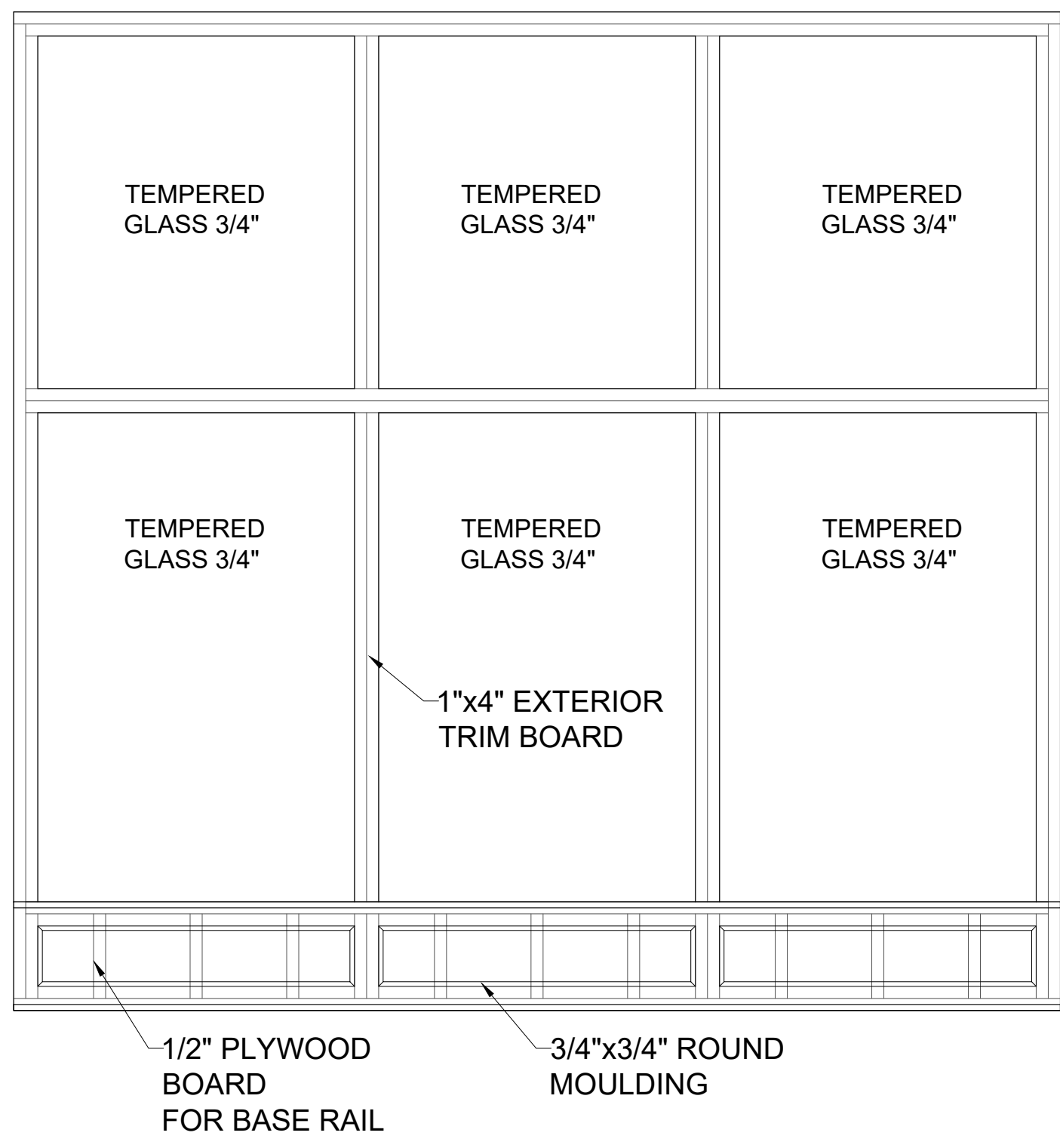
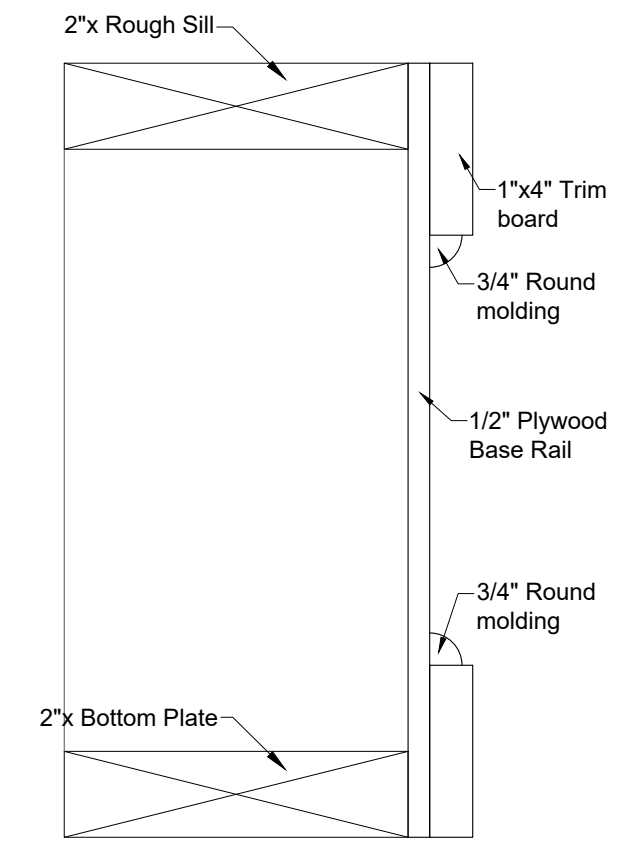


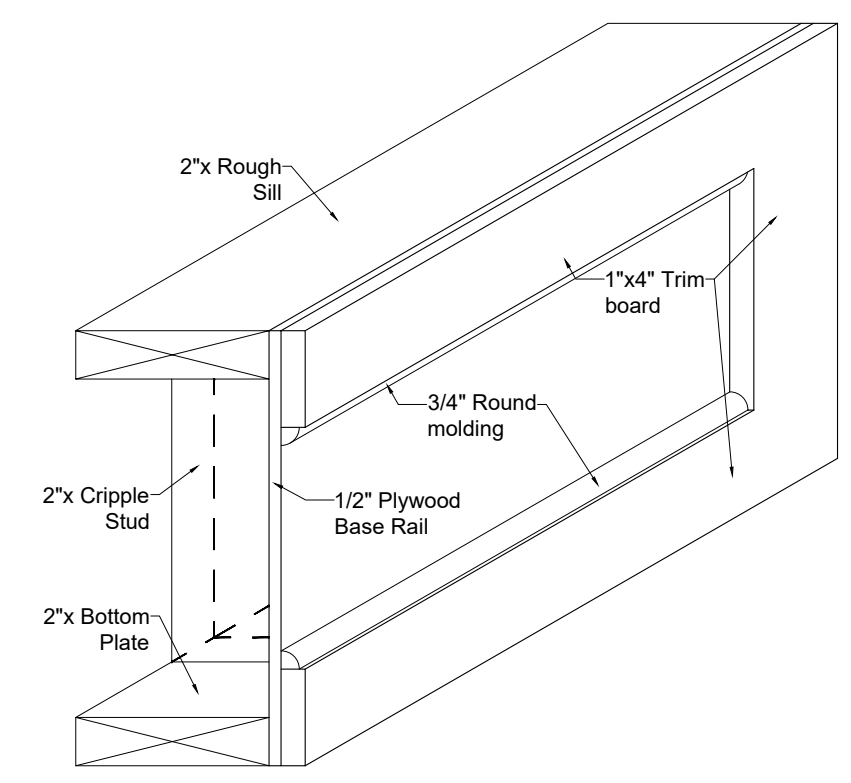
4 Window boarding
Scale 1/2"=1'-0"



5 Window Base Rail
N/S



STATE OF MICHIGAN
 LICENSED PROFESSIONAL ENGINEER
 JACK EDWARD DURBIN
 ENGINEER
 No. 26080
 06/01/2020



14115 East Jefferson
DETROIT, MI 48215

E.S.E.T. INCORPORATED
ENVIRONMENTAL SCIENCE & ENGINEERING TECHNOLOGY
LIVONIA, MI 48154 TEL (734) 778-2883

JOB NO.

SHEET NO.

D.2