



Architect Series®
Traditional



Photograph(s)
© Ashley Avila Photography



Thoughtfully Designed. Timeless Style.

High-quality, high-performance wood windows and doors. Broad custom capabilities and virtually endless design options for both new construction and renovation projects. Pella Integral Light Technology® Grilles combine the look of true divided lights with today's energy efficiency, structural integrity and water-resistant performance.

- Available wood interiors include Pine, Mahogany or Douglas Fir
- A wide variety of standard and custom sizes and grille patterns
- The convenience of interior prefinished stain, prefinished paint or primed are available
- Virtually unlimited exterior color options
- Dual-pane glazing standard
- Triple-pane glazing available



Available with factory-installed integrated security sensors.



Wood Windows and Patio Doors

	Cross Section	Frame / Install	Wall Depth Range	Performance Range
Awning Vent and Fixed		Fold-out fin Block Frame EnduraClad Exterior Trim / Brickmould	Base Frame Depth: 5" Std. Fin Setback: 1-5/16" Base Wall Depth: 3-11/16" Jamb extended wall depth: 3-11/16" - 9-3/16"	LC30 - CW50 U: 0.16 - 0.80 SHGC: 0.15 - 0.63 STC: 27 - 33
Precision Fit Awning		Pocket Replacement	Overall frame depth: 4" Pocket frame depth: 3-1/4"	R30 - CW50 U: 0.25 - 0.51 SHGC: 0.16 - 0.63 STC: 27 - 30
Casement Vent and Fixed		Fold-out fin Block Frame EnduraClad Exterior Trim / Brickmould	Base Frame Depth: 5" Std. Fin Setback: 1-5/16" Base Wall Depth: 3-11/16" Jamb extended wall depth: 3-11/16" - 9-3/16"	R30 - CW50 U: 0.23 - 0.49 SHGC: 0.16 - 0.63 STC: 28 - 32
Precision Fit Casement		Pocket Replacement	Overall frame depth: 4" Pocket frame depth: 3-1/4"	R30 - CW50 U: 0.25 - 0.51 SHGC: 0.16 - 0.63 STC: 27 - 30
Single-Hung and Double-Hung		Fold-out fin Block Frame EnduraClad Exterior Trim / Brickmould	Base Frame Depth: 5" Std. Fin Setback: 1-5/16" Base Wall Depth: 3-11/16" Jamb extended wall depth: 3-11/16" - 9-3/16"	CW40 - CW50 U: 0.25 - 0.30 SHGC: 0.19 - 0.53 STC: 26 - 34
Precision Fit Double-Hung		Pocket Replacement	Overall frame depth: 4-3/4" Pocket frame depth: 3-1/4"	CW40 - CW50 U: 0.25 - 0.31 SHGC: 0.19 - 0.53 STC: 26 - 30
In-Swing Patio Door		Fold-out fin Block Frame EnduraClad Exterior Trim / Brickmould	Base Frame Depth: 5-7/8" Std. Fin Setback: 1-5/16" Base Wall Depth: 4-9/16" Extended wall depth: 4-9/16" - 7-5/16"	LC40 - LC55 U: 0.25 - 0.32 SHGC: 0.13 - 0.40 STC: 31 - 34
Out-Swing Patio Door		Fold-out fin Block Frame EnduraClad Exterior Trim / Brickmould	Base Frame Depth: 5-7/8" Std. Fin Setback: 1-5/16" Base Wall Depth: 4-9/16" Jamb Extended wall depth: 4-9/16" - 9-3/16"	LC40 - LC70 U: 0.25 - 0.33 SHGC: 0.12 - 0.39 STC: 30 - 36
Sliding Patio Door		Fold-out fin Block Frame EnduraClad Exterior Trim / Brickmould	Base Frame Depth: 5-7/8" Std. Fin Setback: 1-5/16" Base Wall Depth: 4-9/16" Jamb Extended wall depth: 4-9/16" - 9-3/16"	LC25 - LC70 U: 0.26 - 0.32 SHGC: 0.15 - 0.42 STC: 29 - 35
Scenescape Bifold Patio Door		See page 200 for additional information. Contact your local Pella Sales representative or Pella Architectural Support for assistance and additional details.		Out-Swing, standard sill: R15 - R25 U: 0.26 - 0.44 SHGC: 0.13 - 0.45
Scenescape Multi-Slide Patio Door		See page 203 for additional information. Contact your local Pella Sales representative or Pella Architectural Support for assistance and additional details.		1-1/2" Weep Sill: R15 - LC25 Varies by Sill Type: U: 0.30 - 0.36 SHGC: 0.15 - 0.46

Performance ranges shown are for single-units and do not account for combinations (multiple units mulled together). Drawings are not to scale.

Finishes

EnduraClad® Protective Finish Standard Colors + Virtually Unlimited Custom Colors



Interior Prefinished Colors



Screens



Vivid View® Screen

Provides the sharpest view and is available as an upgrade on Pella wood windows and patio doors. Allows in 29% more light and is 21% more open to airflow compared to conventional screen. PVDF 21/17 mesh, 78% light transmissive.

InView™ Screen

Standard screen on Pella wood windows and patio doors, as well as Rolscreen® retractable screens on wood casement windows.

More transparent than conventional fiberglass, allows 14% more light and is 8% more open to airflow than conventional screen.

Vinyl coated 18/18 mesh fiberglass, Complies with performance requirements of SMA 1201.

Conventional Screen

Standard on Rolscreen® retractable screens on patio doors.

Black vinyl coated 18/14 mesh fiberglass, Complies with ASTM D 3656 and SMA 1201.

Improved airflow is based on calculated screen cloth openness. Screen cloth transmittance was measured using an integrated sphere spectrophotometer.

Brand Overview

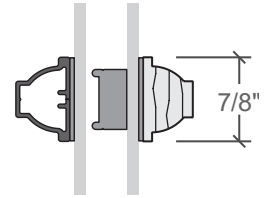
Grilles

For a full list of grille size and pattern availability contact your local Pella sales representative.

Integral Light Technology® Grilles

- Extruded aluminum grilles are adhered to the exterior face
- Wood grilles are adhered to the interior face
- Between-the-glass foam spacers, which are aligned with the interior and exterior grilles, replicate the appearance of true divided lights
- Typical grilles are 7/8" wide ogee profile, other standard and custom widths are available
- Custom grille patterns are available

Grille Profile

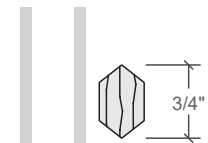


7/8", 1-1/4", and 2" widths

Roomside Removable Grilles

- Roomside wood grilles are securely attached to the interior, but can be removed for glass cleaning
- Typical grilles are 3/4" wide, other standard widths and profiles are available

Grille Profile

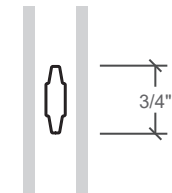


3/4", 1-1/4", and 2" widths

Grilles-Between-the-Glass¹

- Permanent aluminum grilles are factory-installed inside the airspace of insulating glass
- White, Tan², Brown, Putty², Black, Morning Sky Gray, Ivory, Sand Dune, Harvest, Cordovan or Brickstone interior.
- Grilles are 3/4" wide
- Interior colors complement today's most popular interior finishes; choose a color to coordinate with the window or door frame, or select a contrasting grille color for a one-of-a-kind look

Grille Profile

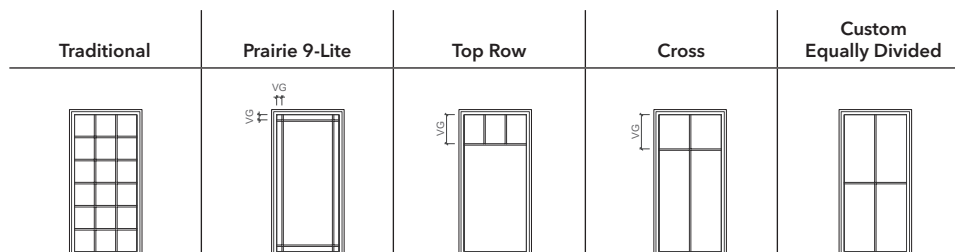


3/4" width

Interior GBG Colors



Available Patterns



Pattern availability may vary depending on size of unit.

Not all patterns represented and custom configurations are also available, for details contact your local Pella sales representative.

¹ Appearance of exterior grille color may vary depending on the Low-E insulating glass selection.

² Tan or Putty Interior GBG colors are available in single-tone (Tan/Tan or Putty/Putty).

Standard Sizes

	(552) (533)	(654) (635)	(756) (737)	(857) (838)	(959) (940)	(1 060) (1 041)	(1 162) (1 143)	(1 238) (1 219)
Opening	1' 9 ³ / ₄ "	2' 1 ³ / ₄ "	2' 5 ³ / ₄ "	2' 9 ³ / ₄ "	3' 1 ³ / ₄ "	3' 5 ³ / ₄ "	3' 9 ³ / ₄ "	4' 0 ³ / ₄ "
Frame	1' 9"	2' 1"	2' 5"	2' 9"	3' 1"	3' 5"	3' 9"	4' 0"
(908) (889)								
(1 060) (1 041)								
(1 213) (1 194)								
(1 365) (1 346)								
(1 467) (1 448)								
(1 518) (1 499)								
(1 670) (1 651)								
(1 822) (1 803)								
(1 975) (1 956)								
(2 153) (2 134)								

Not to scale.

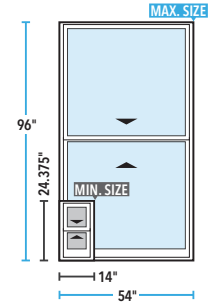
Traditional grille patterns shown.

Special Sizes

Special sizes are available in 1/8" increments.

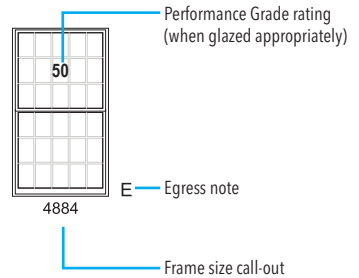
Replacement windows are available in 1/2" sizes.

Vent-Equal



Cottage and custom sash split also available. Specify checkrail height when ordering.

Transoms and Companion fixed windows available for combinations. See Casement window offering for matching glass sight-lines, or see the Fixed Frame Direct Set offering.



HurricaneShield® Impact Resistant glazing with higher design pressure ratings available.

Egress Notes:

- E = Window meets minimum clear opening of 24" height, 20" width, and 5.7 ft².
- E1 = Window meets minimum clear opening of 24" height, 20" width, and 5.0 ft².

Check all applicable local codes for emergency egress requirements.





Architect Series®
Traditional

Precision Fit
Double-Hung



Air, Water, & Structural Performance

Performance Class & Grade Rating	Water Penetration Resistance	Air Infiltration	Design Pressure	Forced Entry
H-CW40 - CW50	6.0 - 6.9 psf	.11	40 - 50 psf	10

Thermal Performance

Type of Glazing (Argon fill)	U-Factor	SHGC	VLT %	CR	Energy Star® Capable
Advanced Low-E IG	0.29 - 0.30	0.25 - 0.28	0.47 - 0.53	59	NC
SunDefense™ Low-E IG	0.29	0.19 - 0.21	0.44 - 0.49	60	NC, SC, S
AdvancedComfort Low-E IG	0.25 - 0.26	0.25 - 0.28	0.46 - 0.52	48	N, NC
NaturalSun Low-E IG	0.30 - 0.31	0.47 - 0.53	0.54 - 0.60	59	N

Vent Units

11/16" glass thickness

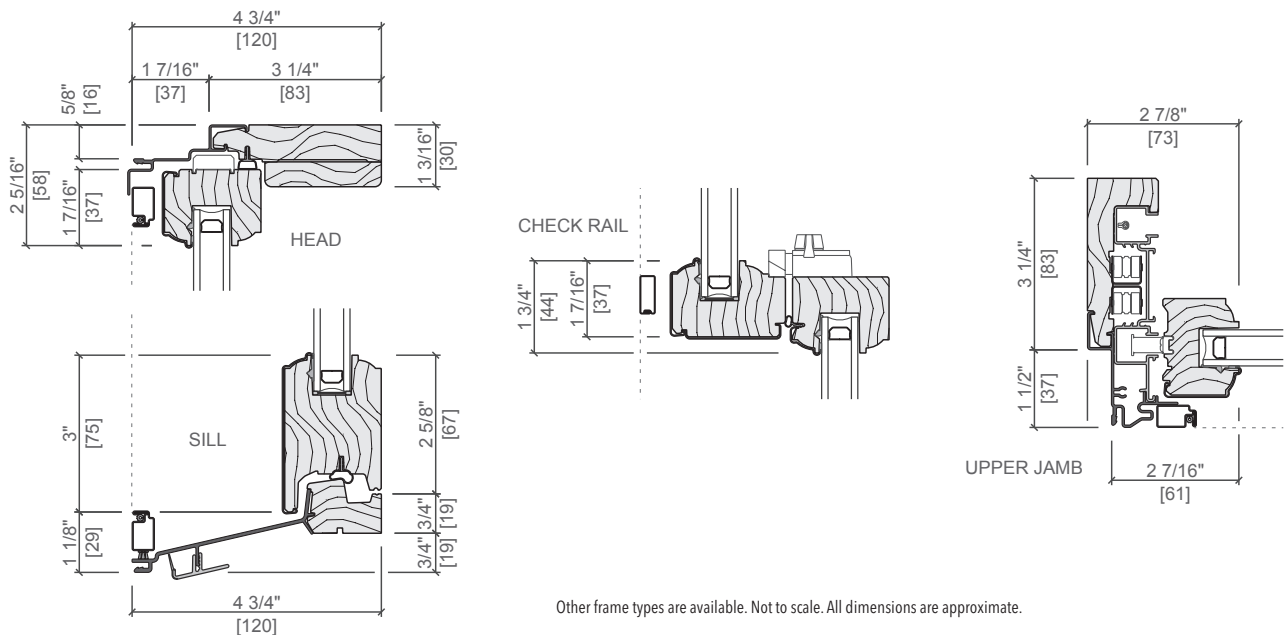
Sound Performance

Frame Size Tested	Type of Glazing	Integral Grilles		Removable or No Grilles	
		STC	OITC	STC	OITC
Vent; 45" x 65"	11/16" overall thickness 2.5mm / 2.5mm glass	27	25	26	22
	3mm / 3mm glass	30	26	28	24

Code Approvals: Hallmark Certified; FPAS#: Vent=FL14343; Fixed= FL14129 TDI#: Vent=WIN-1089; Fixed= WIN-1392

Maximum performance when glazed with the appropriate glass. See the Performance section earlier in this manual to learn more about performance standards and ratings.

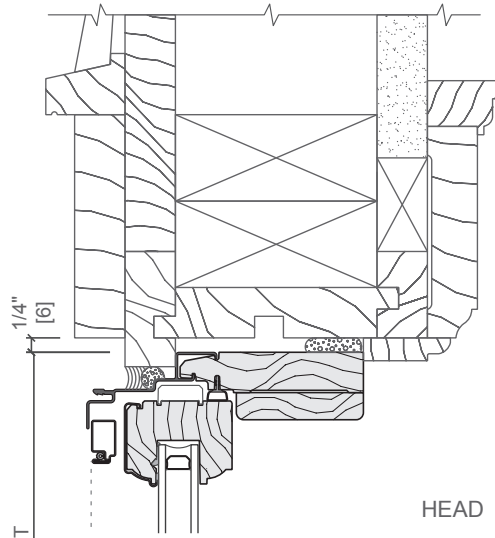
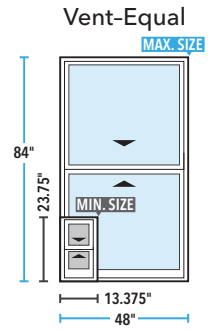
Performance varies based on actual product attributes.



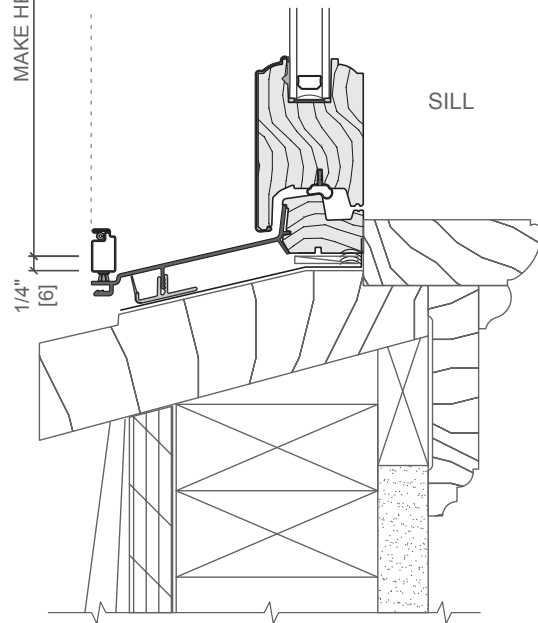
Other frame types are available. Not to scale. All dimensions are approximate.

Make Sizes

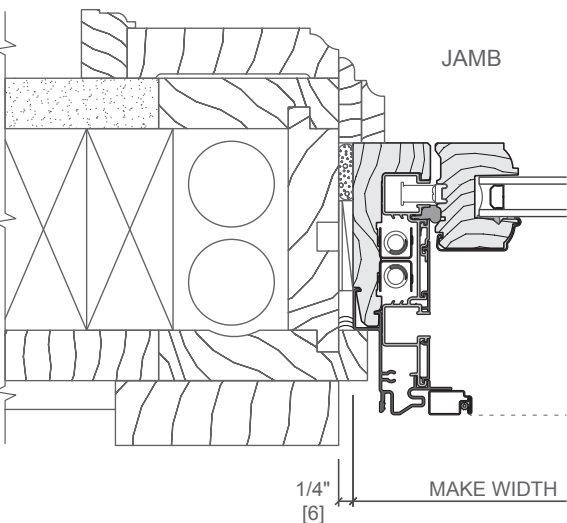
Sizes are available in 1/4" increments.



HEAD



SILL



JAMB

1/4" [6] MAKE WIDTH

Cottage and custom sash split also available.

Companion fixed windows available. See Precision Fit Casement window offering for matching glass sight-lines, or see the Fixed Frame Direct Set offering.

Consult with your local Pella Sales Representative or see the on-line ADM for egress information.

Check all applicable local codes for emergency egress requirements.

Make Width = Opening width - 1/2"
(rounded to the nearest 1/4")

Make Height = Opening height - 1/2"
(rounded to the nearest 1/4")

NOTE:

WALL CONSTRUCTION AND OLD DOUBLE-HUNG FRAME SHOWN ARE EXISTING; OLD DOUBLE-HUNG SASH HAS BEEN REMOVED.

REFER TO THE APPROPRIATE PELLA INSTALLATION INSTRUCTION FOR COMPLETE STEP BY STEP INSTRUCTIONS.

SHIM AND PLUMB UNITS AS REQUIRED.

SEAL UNIT TO EXTERIOR / BLIND STOP.

SEAL THE UNIT TO EXISTING STUOL AND WINDOW SILL.

LEVEL UNITS AS REQUIRED.

INSULATE ALL VOIDS AT WINDOW PERIMETER (BY OTHERS).

SEAL UNIT TO EXTERIOR / BLIND STOP.





Architect Series®
Traditional

In-Swing Door



Air, Water, & Structural Performance

Door Height	Performance Class & Grade Rating	Water Penetration Resistance	Air Infiltration	Design Pressure	Forced Entry
≤ 8'	LC55	8.36 psf	0.10	55 psf	40
≥ 8'	LC40	6.0 psf	0.10	40 psf	40

Thermal Performance

13/16" glass thickness; Triple-Pane Insulating glass is also available.

Type of Glazing (Argon fill)	U-Factor	SHGC	VLT %	CR	Energy Star® Capable
Advanced Low-E IG	0.28 - 0.30	0.16 - 0.22	0.27 - 0.39	59 - 62	N, NC, SC, S
SunDefense™ Low-E IG	0.27 - 0.30	0.13 - 0.16	0.25 - 0.36	60 - 62	N, NC, SC, S
AdvancedComfort Low-E IG	0.25 - 0.27	0.16 - 0.21	0.27 - 0.38	47 - 49	N, NC, SC, S
NaturalSun Low-E IG	0.28 - 0.32	0.28 - 0.40	0.31 - 0.44	59 - 61	N, NC

Sound Performance

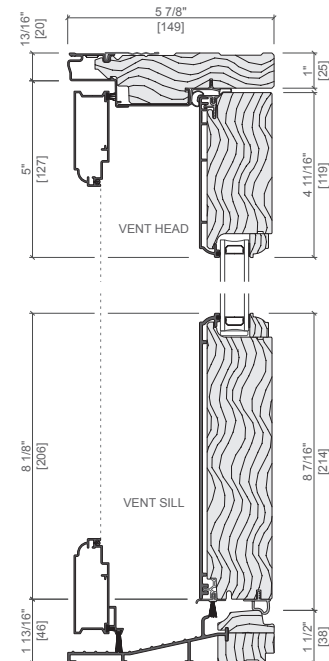
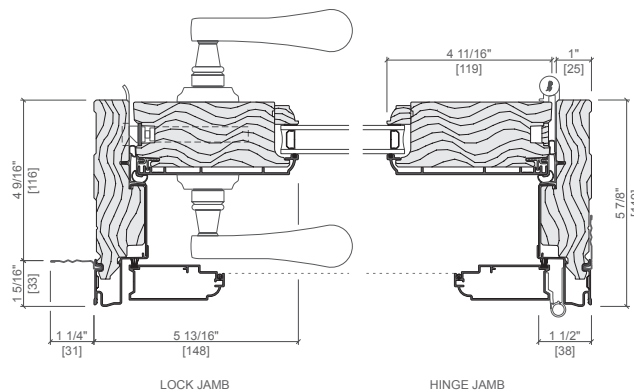
Frame Size Tested	Type of Glazing		Integral Grilles		Removable or No Grilles	
			STC	OITC	STC	OITC
71-1/4" x 81-1/2"	13/16" overall thickness	3mm / 3mm glass	32	27	31	25
		3mm / 5mm glass	34	29	33	28

Code Approvals: Hallmark Certified; FPAS#: Transom = FL11277, Door = FL14293.7; TDI#: Transom = WIN-1582, Door = DR-635

Maximum performance when glazed with the appropriate glass.

See the Performance section earlier in this manual to learn more about performance standards and ratings.

Performance varies based on actual product attributes.



Other frame types are available. Low Profile sill option available. Not to scale. All dimensions are approximate.

Standard Sizes

	(476) (457)	(664) (645)	(781) (762)	(870) (851)	(933) (914)	(981) (962)
Opening	1' 6 3/4"	2' 2 1/8"	2' 6 3/4"	2' 10 1/4"	3' 0 3/4"	3' 2 5/8"
Frame	1' 6"	2' 1 3/8"	2' 6"	2' 9 1/2"	3' 0"	3' 1 7/8"
(2 032) (2 019)	6' 8"					
(2 063) (2 070)	6' 7 1/2"					
(2 197) (2 184)	6' 10"					
(2 438) (2 426)	6' 9 1/2"					
(3 048) (3 035)	7' 2 1/2"					
	7' 2"					
	8' 0"					
	7' 11 1/2"					
	10' 0"					
	9' 11 1/2"					
	SIDELIGHT 1880	LEFT 2680	LEFT 3080	LEFT 3480	LEFT 3680	LEFT 3880
	SIDELIGHT 1882	LEFT 2682	LEFT 3082	LEFT 3482	LEFT 3682	LEFT 3882
	SIDELIGHT 1886	LEFT 2686	LEFT 3086	LEFT 3486	LEFT 3686	LEFT 3886
	SIDELIGHT 1896	LEFT 2696	LEFT 3096	LEFT 3496	LEFT 3696	LEFT 3896
		LEFT 26120	LEFT 30120	LEFT 34120	LEFT 36120	LEFT 38120

Not to scale.

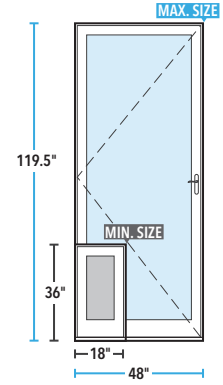
Traditional grille patterns shown.

Left-hand doors shown, right-hand and fixed also available.

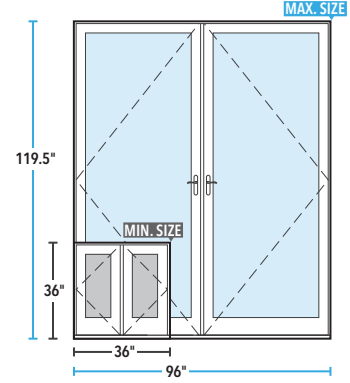
Special Sizes

Special sizes are available in 1/8" increments.

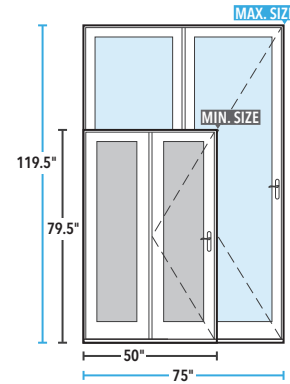
Single Door (L/R)



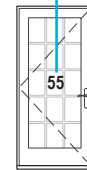
Double-Door (AP/PA)



Double-Door (AF/FA)



Performance Grade rating
(when glazed appropriately)
All doors and sidelights are
glazed with tempered glass.



LEFT

3882

Frame size call-out

HurricaneShield® Impact Resistant glazing with higher design pressure ratings available.

Fixed Casement Transoms with wide stiles for matching glass sight lines and companion fixed frame direct set windows available for transom combinations. See the on-line ADM for details or consult your local Pella Sales Representative for details.

