

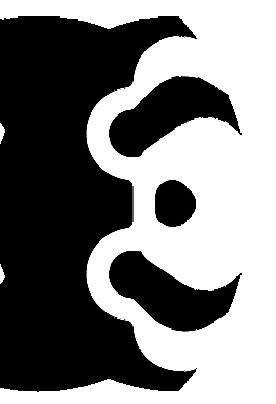
1 SITE LIGHTING LOCATIONS
E101 1" = 80'-0"

Issue/Revision	W/M/AM/JS

Permit/Seal

**PRELIMINARY
NOT FOR
CONSTRUCTION**

Not for permits, pricing or other official purposes. This document has not been completed or checked and is for general information or comment only.



Client/Project
Hillwood Development
Company, Inc.

PROJECT PANDA -
FULFILLMENT CENTER

Project No.: 218011567

Scale: 1" = 80'-0"

DATE: 2020.xxxx

Title

ELECTRICAL SITE PLAN -
LIGHTING OVERALL

Revision:

Drawing No.

E101

Schedule

Symbol	Label	QTY	Manufacturer	Catalog Number	Description	Lamp	Number Lamps	Filename	Lumens per Lamp	Lumen Multiplier	LLF	Wattage	Efficiency	Distribution	Polar Plot	Notes
	P2M6	1	Lithonia Lighting	DSX2 LED P6 40K T2M MVOLT	DSX2 LED P6 40K T2M MVOLT	LED	1	DSX2_LED_P6_40K_T2M_MVOLT.ies	40701	1	0.7	343	100%			
	P2S3	5	Lithonia Lighting	DSX2 LED P3 40K T2S MVOLT	DSX2 LED P3 40K T2S MVOLT	LED	1	DSX2_LED_P3_40K_T2S_MVOLT.ies	28340	1	0.7	217	100%			
	P2S6	4	Lithonia Lighting	DSX2 LED P6 40K T2S MVOLT	DSX2 LED P6 40K T2S MVOLT	LED	1	DSX2_LED_P6_40K_T2S_MVOLT.ies	40911	1	0.7	343	100%			
	P3M6	8	Lithonia Lighting	DSX2 LED P6 40K T3M MVOLT	DSX2 LED P6 40K T3M MVOLT	LED	1	DSX2_LED_P6_40K_T3M_MVOLT.ies	39621	1	0.7	343	100%			
	P3S6	2	Lithonia Lighting	DSX2 LED P6 40K T3S MVOLT	DSX2 LED P6 40K T3S MVOLT	LED	1	DSX2_LED_P6_40K_T3S_MVOLT.ies	40812	1	0.7	343	100%			
	P3S8	61	Lithonia Lighting	DSX2 LED P8 40K T3S MVOLT	DSX2 LED P8 40K T3S MVOLT	LED	1	DSX2_LED_P8_40K_T3S_MVOLT.ies	49213	1	0.7	431	100%			
	P4M6	5	Lithonia Lighting	DSX2 LED P6 40K T4M MVOLT	DSX2 LED P6 40K T4M MVOLT	LED	1	DSX2_LED_P6_40K_T4M_MVOLT.ies	39925	1	0.7	343	100%			
	P5W8	3	Lithonia Lighting	DSX2 LED P8 40K T5W MVOLT	DSX2 LED P8 40K T5W MVOLT	LED	1	DSX2_LED_P8_40K_T5W_MVOLT.ies	50729	1	0.7	431	100%			
	PBC8	13	Lithonia Lighting	DSX2 LED P8 40K BLC MVOLT	DSX2 LED P8 40K BLC MVOLT	LED	1	DSX2_LED_P8_40K_BLC_MVOLT.ies	40324	1	0.7	431	100%			
	PFM6H	12	Lithonia Lighting	DSX2 LED P6 40K TFTM MVOLT HS	DSX2 LED P6 40K TFTM MVOLT with houseside shield	LED	1	DSX2_LED_P6_40K_TFTM_MVOLT_HS.ies	31845	1	0.7	343	100%			
	PFM6HG	5	Lithonia Lighting	DSX2 LED P6 40K TFTM MVOLT HS	DSX2 LED P6 40K TFTM MVOLT with houseside shield	LED	1	DSX2_LED_P6_40K_TFTM_MVOLT_HS.ies	31845	1	0.7	343	100%			
	PFM8HG	11	Lithonia Lighting	DSX2 LED P8 40K TFTM MVOLT HS	DSX2 LED P8 40K TFTM MVOLT with houseside shield	LED	1	DSX2_LED_P8_40K_TFTM_MVOLT_HS.ies	38401	1	0.7	431	100%			
	PP54	15	Lithonia Lighting	MRP LED 42C 1000 40K SR5 MVOLT	MRP POST TOP LIGHT 42 LEDs 1000 mA DRIVE CURRENT 40K COLOR TEMP TYPE 5 DISTRIBUTION		1	MRP_LED_42C_1000_40K_SR5_MVOLT.ies	10414	1	0.7	151	100%			
	W2S6	13	Lithonia Lighting	DSX2 LED P6 40K T2S MVOLT	DSX2 LED P6 40K T2S MVOLT	LED	1	DSX2_LED_P6_40K_T2S_MVOLT.ies	40911	1	0.7	343	100%			
	W3S6	6	Lithonia Lighting	DSX2 LED P6 40K T3S MVOLT	DSX2 LED P6 40K T3S MVOLT	LED	1	DSX2_LED_P6_40K_T3S_MVOLT.ies	40812	1	0.7	343	100%			
	W5S8	1	Lithonia Lighting	DSX2 LED P8 40K T5S MVOLT	DSX2 LED P8 40K T5S MVOLT	LED	1	DSX2_LED_P8_40K_T5S_MVOLT.ies	51193	1	0.7	431	100%			
	WFM8	22	Lithonia Lighting	DSX2 LED P8 40K TFTM MVOLT	DSX2 LED P8 40K TFTM MVOLT	LED	1	DSX2_LED_P8_40K_TFTM_MVOLT.ies	49183	1	0.7	431	100%			
	Z-BLC P3	0	Lithonia Lighting	DSX2 LED P3 40K BLC MVOLT	DSX2 LED P3 40K BLC MVOLT	LED	1	DSX2_LED_P3_40K_BLC_MVOLT.ies	23165	1	0.7	217	100%			
	Z-POST TOP 2	0	Lithonia Lighting	MRP LED 42C 530 40K SR5 MVOLT	MRP POST TOP LIGHT 42 LEDs 530 mA DRIVE CURRENT 40K COLOR TEMP TYPE 5 DISTRIBUTION		1	MRP_LED_42C_530_40K_SR5_MVOLT.ies	6959	1	0.7	75	100%			
	Z-POST TOP 3	0	Lithonia Lighting	MRP LED 42C 700 40K SR5 MVOLT	MRP POST TOP LIGHT 42 LEDs 700 mA DRIVE CURRENT 40K COLOR TEMP TYPE 5 DISTRIBUTION		1	MRP_LED_42C_700_40K_SR5_MVOLT.ies	8456	1	0.7	100	100%			



Project Panda
Site Lighting Calculation

Designer
A. Barry
Date
6/15/2020
Scale
Not to Scale
Drawing No.

Summary

LIGHTING GENERAL NOTES

- POLE BASES SHALL HAVE A 3' CLEARANCE TO ROADWAYS AND CAR PARKING WHEN INSTALLED BEHIND THE CURB, AND 12' CLEARANCE TO TRAILER PARKING.
- REFER TO LIGHTING CONTROL SCHEDULE ON DWG. E680 FOR SEQUENCE OF OPERATION.
- PROVIDE RELAY PANELS FOR CONTROL OF EXTERIOR LIGHTING. SEE DWG. E301A - E301F FOR RELAY PANEL LOCATIONS. COORDINATE LIGHT FIXTURE CONTROL PROGRAMMING WITH OWNER.
- EXISTING SITE LIGHTING SHALL REMAIN. EXTEND EXISTING CIRCUITS AS REQUIRED TO NEAREST NEW LIGHTING PANELBOARD. CONDUIT AND WIRE SIZING SHALL MATCH EXISTING.

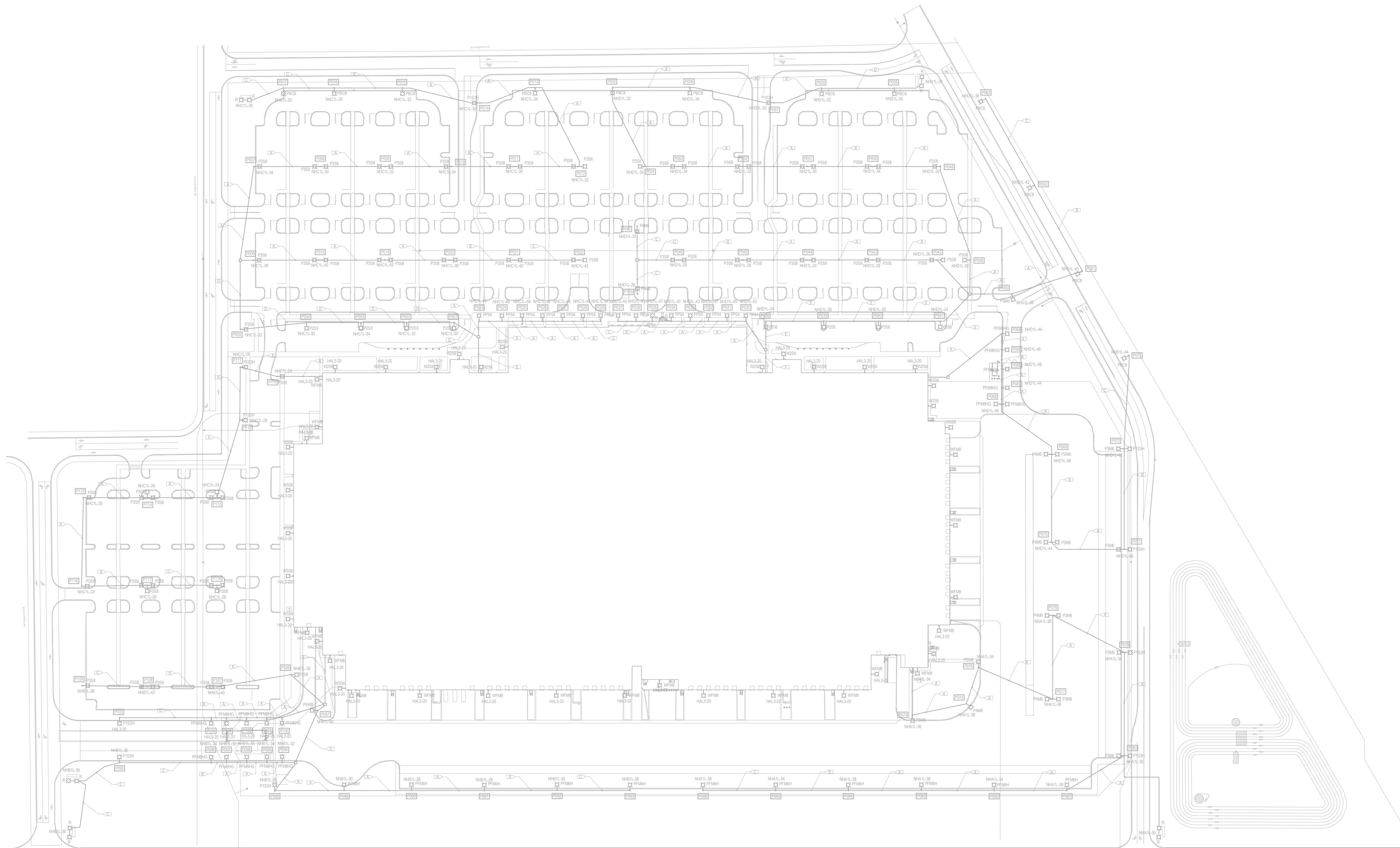
LIGHTING DRAWING NOTES

ELECTRICAL - SYMBOL LIST

SYMBOL	DESCRIPTION
⊠	2' POLE MOUNTED LUMINAIRE
⊞	8' POLE MOUNTED LUMINAIRE
⊞	24"x24"x24" ELECTRICAL PULL BOX
⊞	12"x24"x24" ELECTRICAL HAND HOLE
—	UNDERGROUND CONDUIT AND WIRE
○	BOLLARD

FEEDER SCHEDULE

FEEDER #	NO. OF CONDUITS	SIZE OF CONDUIT	NO. & SIZE OF CONDUCTORS IN EACH CONDUIT (U.O.N.)
A	1	1 1/4"	3#8 & 1#8N & 1#8G
B	1	1 1/4"	2#8 & 1#8N & 1#8G
C	1	1 1/4"	1#8 & 1#8N & 1#8G
D	1	2"	2 SETS OF 3#8 & 1#8N & 1#8G
E	1	2 1/2"	3 SETS OF 3#8 & 1#8N & 1#8G
F	1	3"	4 SETS OF 3#8 & 1#8N & 1#8G



1 ELECTRICAL SITE PLAN - LIGHTING OVERALL
E101 NOT TO SCALE

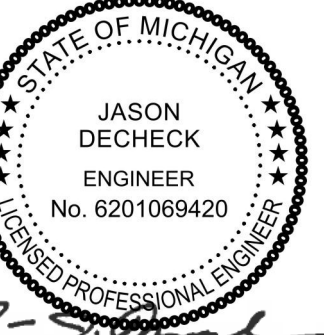


Stantec Architecture and Engineering LLC
650 Southfield Street, Suite 2500
Ann Arbor, MI 48106
Tel: (734) 769-7000 • www.stantec.com

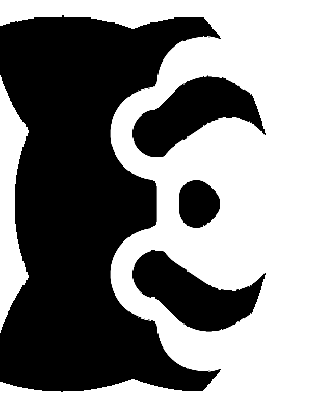
Consultant

NO.	DATE	DESCRIPTION
1	07/27/2020	ISSUED FOR PERMIT
2	07/27/2020	PROJECT SUBMISSION
3	07/27/2020	ISSUED FOR REVISION

Permit/Seal



07/27/2020



Client/Project
Hillwood Development
Company, Inc.

PROJECT PANDA -
FULFILLMENT CENTER

Project No.: 218011567

Scale: As indicated

DATE: 06.26.2020

Title
ELECTRICAL SITE PLAN -
LIGHTING OVERALL

Revision:
Drawing No.

E101

LIGHTING GENERAL NOTES

- POLE BASES SHALL HAVE A 3' CLEARANCE TO ROADWAYS AND CAR PARKING WHEN INSTALLED BEHIND THE CURB, AND 12' CLEARANCE TO TRAILER PARKING.
- REFER TO LIGHTING CONTROL SCHEDULE ON DWG. E680 FOR SEQUENCE OF OPERATION.
- PROVIDE RELAY PANELS FOR CONTROL OF EXTERIOR LIGHTING. SEE DWG. E301A - E301F FOR RELAY PANEL LOCATIONS. COORDINATE LIGHT FIXTURE CONTROL PROGRAMMING WITH OWNER.
- EXISTING SITE LIGHTING SHALL REMAIN. EXTEND EXISTING CIRCUITS AS REQUIRED TO NEAREST NEW LIGHTING PANELBOARD. CONDUIT AND WIRE SIZING SHALL MATCH EXISTING.

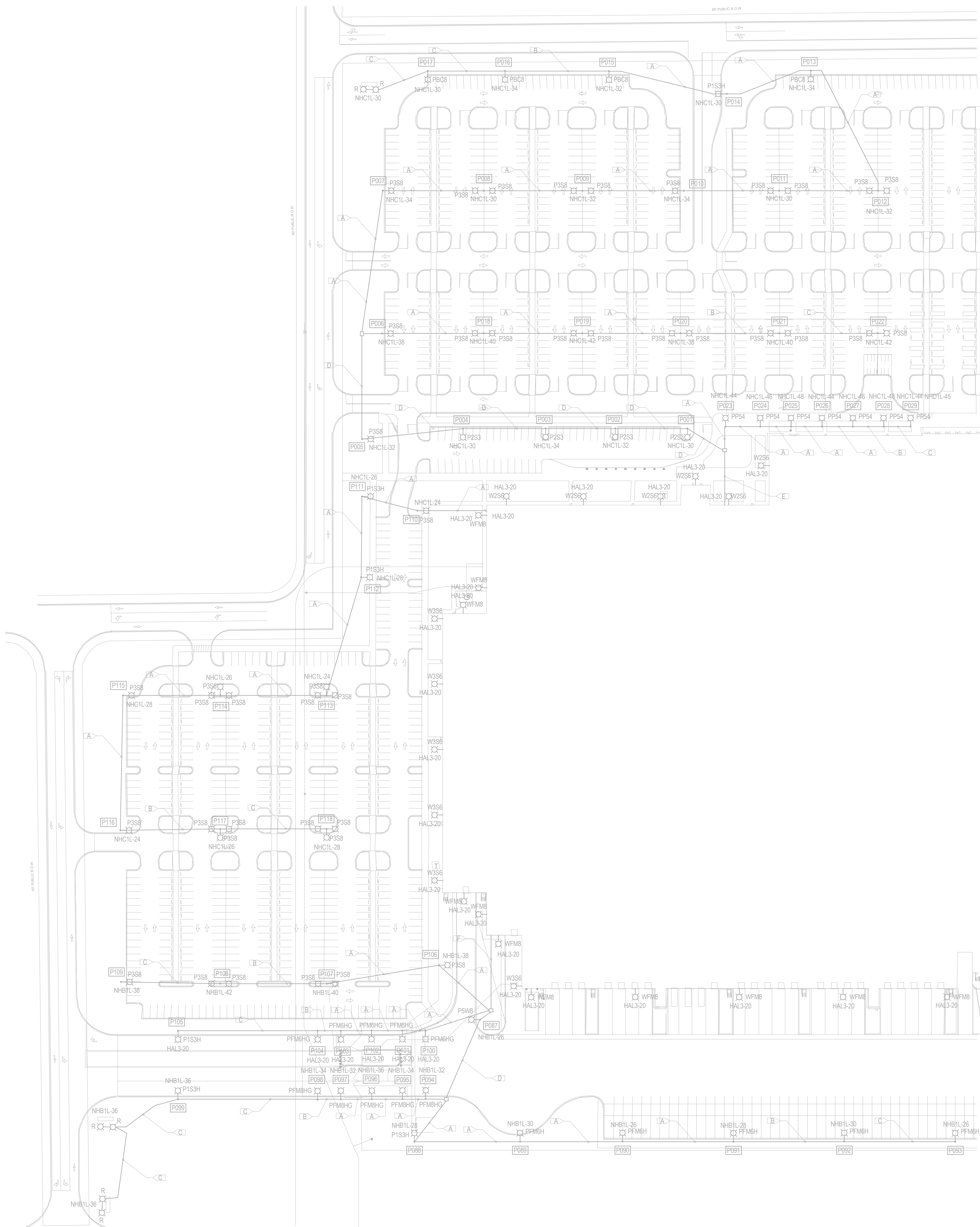
LIGHTING DRAWING NOTES

ELECTRICAL - SYMBOL LIST

SYMBOL	DESCRIPTION
☐	25' POLE MOUNTED LUMINAIRE
⊠	8' POLE MOUNTED LUMINAIRE
☒	24"x24"x24" ELECTRICAL PULL BOX
⊡	12"x24"x24" ELECTRICAL HAND HOLE
—	UNDERGROUND CONDUIT AND WIRE
○	BOLLARD

FEEDER SCHEDULE

FEEDER #	NO. OF CONDUITS	SIZE OF CONDUIT	NO. & SIZE OF CONDUCTORS IN EACH CONDUIT (U.O.N.)
A	1	1 1/4"	3#8 & 1#8 & 1#8G
B	1	1 1/4"	2#8 & 1#8 & 1#8G
C	1	1 1/4"	1#8 & 1#8 & 1#8G
D	1	2"	2 SETS OF 3#8 & 1#8N & 1#8G
E	1	2 1/2"	3 SETS OF 3#8 & 1#8N & 1#8G
F	1	3"	4 SETS OF 3#8 & 1#8N & 1#8G



1
E101A
ELECTRICAL SITE PLAN - LIGHTING WEST
NOT TO SCALE

Stantec
Stantec Architecture and Engineering LLC
650 Southfield Street, Suite 2500
Ann Arbor, MI 48106-1500
Tel: (412) 984-1700 • www.stantec.com

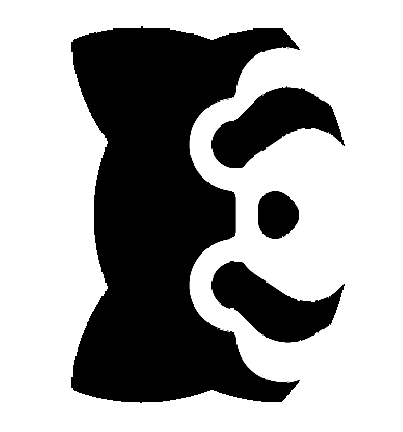
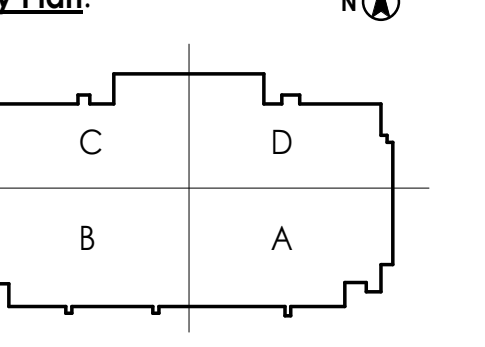
Consultant

NO.	DATE	ISSUED/REVISION
1	07/27/2020	ISSUED FOR PERMIT

Permit/Seal

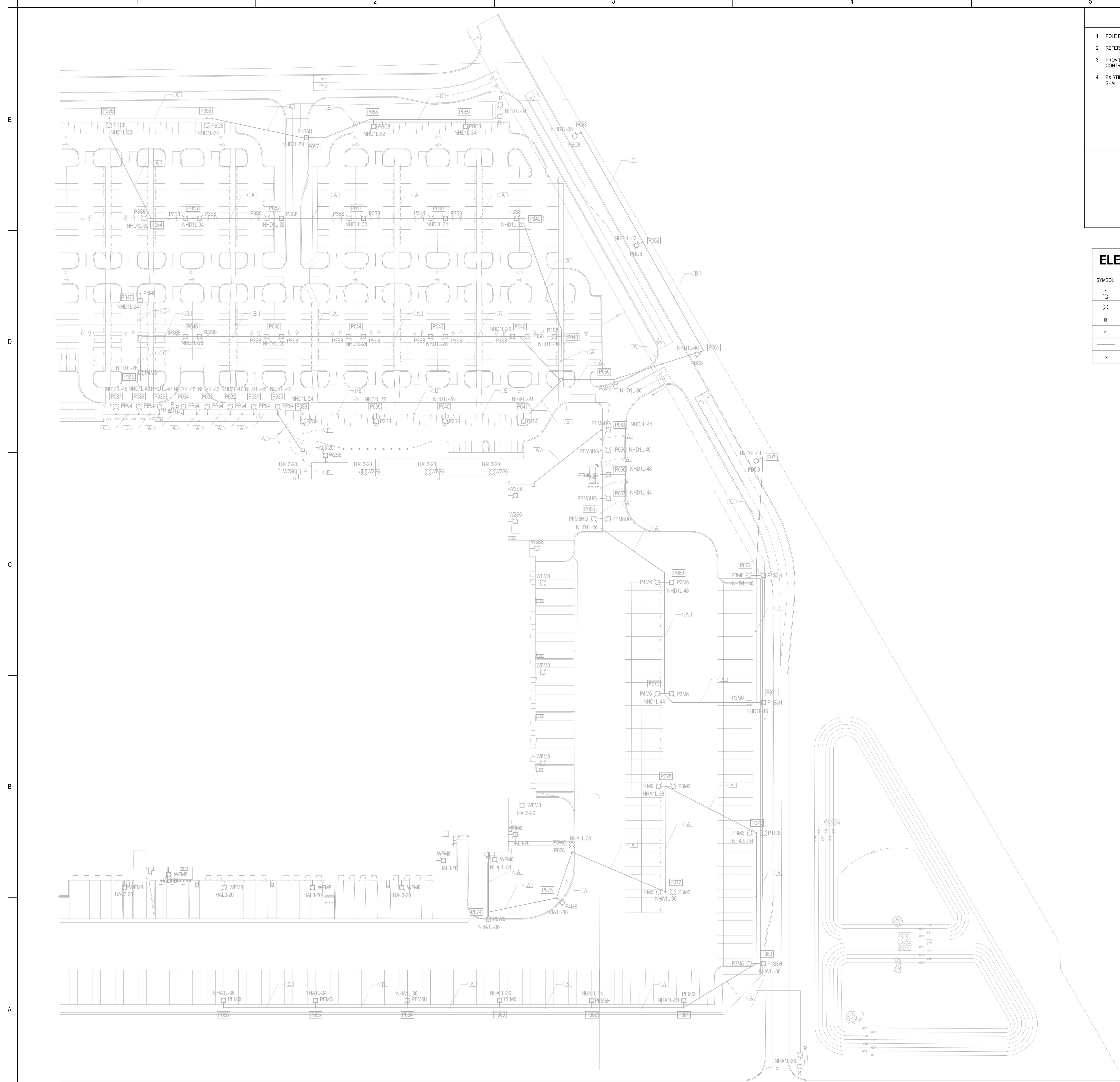
STATE OF MICHIGAN
JASON DECHUCK
ENGINEER
No. 6201069420

07/27/2020



Client/Project
Hillwood Development
Company, Inc.
PROJECT PANDA -
FULFILLMENT CENTER

Project No.: 218011567
Scale: As indicated
DATE: 06/28/20
Title
ELECTRICAL SITE PLAN -
LIGHTING WEST
Revision:
Drawing No.
E101A



LIGHTING GENERAL NOTES

- POLE BASES SHALL HAVE A 3' CLEARANCE TO ROADWAYS AND CAR PARKING WHEN INSTALLED BEHIND THE CURB, AND 12' CLEARANCE TO TRAILER PARKING.
- REFER TO LIGHTING CONTROL SCHEDULE ON DWG. E680 FOR SEQUENCE OF OPERATION.
- PROVIDE RELAY PANELS FOR CONTROL OF EXTERIOR LIGHTING. SEE DWG. E301A - E301F FOR RELAY PANEL LOCATIONS. COORDINATE LIGHT FIXTURE CONTROL PROGRAMMING WITH OWNER.
- EXISTING SITE LIGHTING SHALL REMAIN. EXTEND EXISTING CIRCUITS AS REQUIRED TO NEAREST NEW LIGHTING PANELBOARD. CONDUIT AND WIRE SIZING SHALL MATCH EXISTING.

LIGHTING DRAWING NOTES

ELECTRICAL - SYMBOL LIST

SYMBOL	DESCRIPTION
□	25' POLE MOUNTED LUMINAIRE
⊞	8' POLE MOUNTED LUMINAIRE
⊞	24"x24"x24" ELECTRICAL PULL BOX
□	12"x24"x24" ELECTRICAL HAND HOLE
—	UNDERGROUND CONDUIT AND WIRE
○	BOLLARD

FEEDER SCHEDULE

FEEDER #	NO. OF CONDUITS	SIZE OF CONDUIT	NO. & SIZE OF CONDUCTORS IN EACH CONDUIT (U.O.N.)
A	1	1 1/4"	3#8 & 1#BN & 1#BG
B	1	1 1/4"	2#8 & 1#BN & 1#BG
C	1	1 1/4"	1#8 & 1#BN & 1#BG
D	1	2"	2 SETS OF 3#8 & 1#BN & 1#BG
E	1	2 1/2"	3 SETS OF 3#8 & 1#BN & 1#BG
F	1	3"	4 SETS OF 3#8 & 1#BN & 1#BG

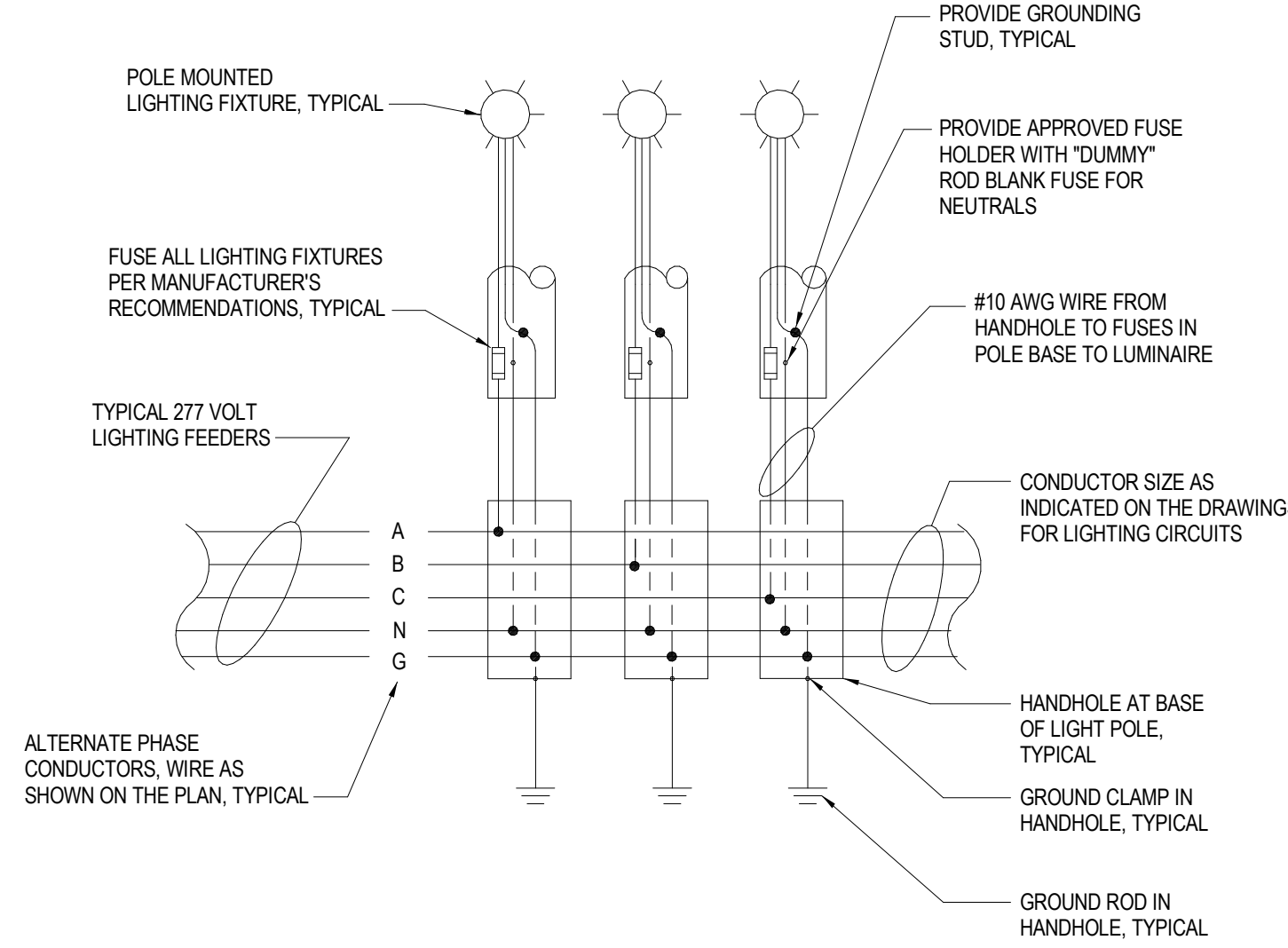
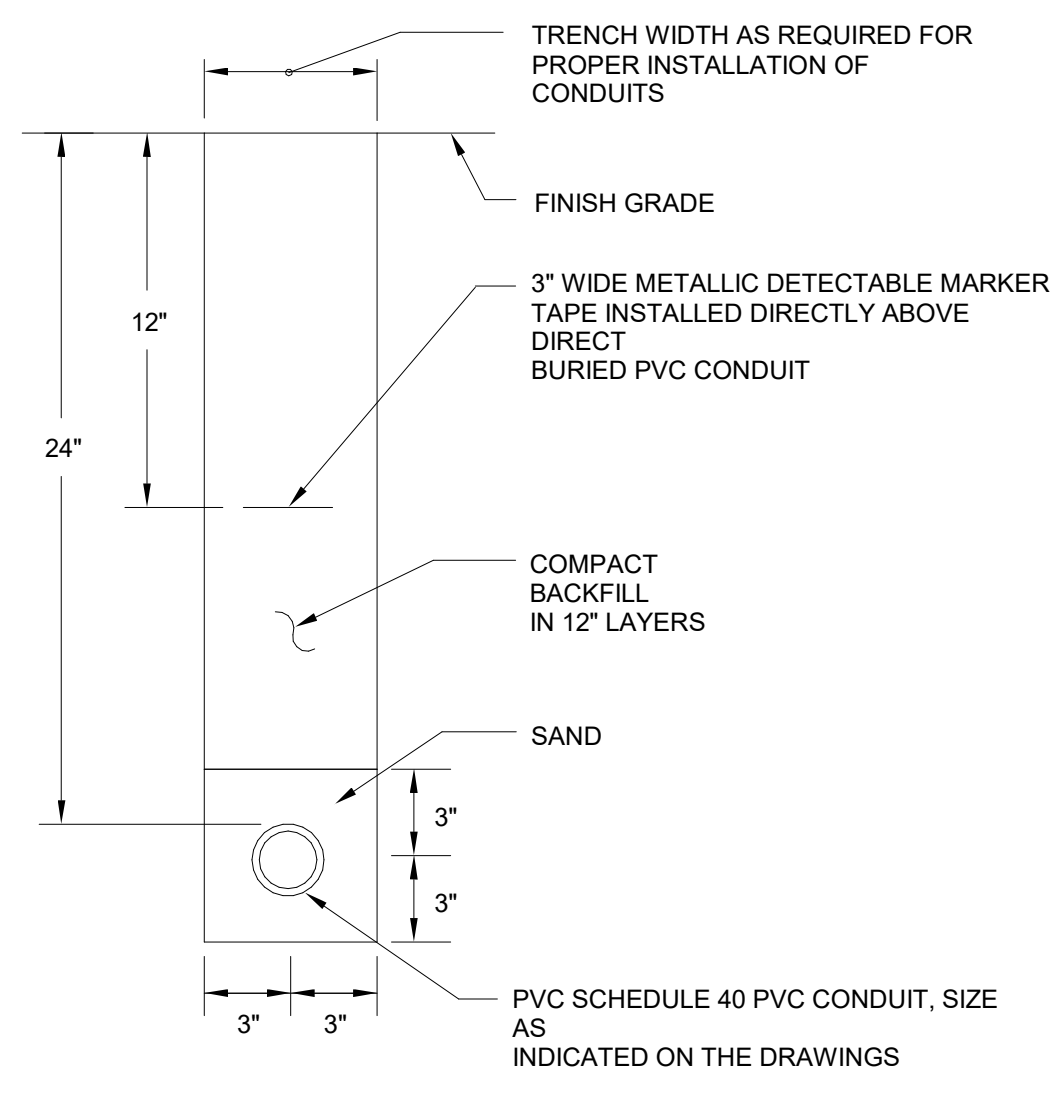
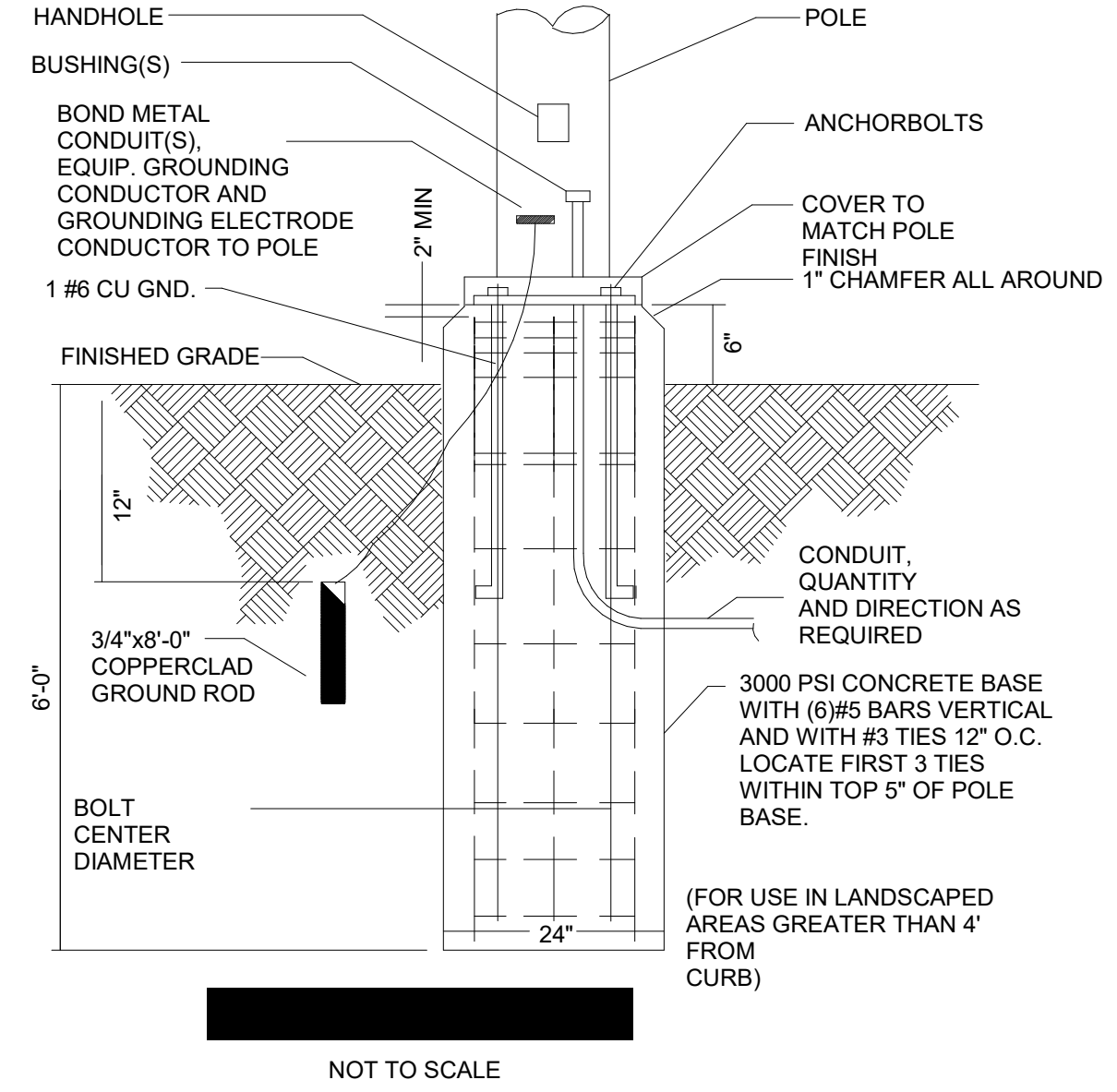
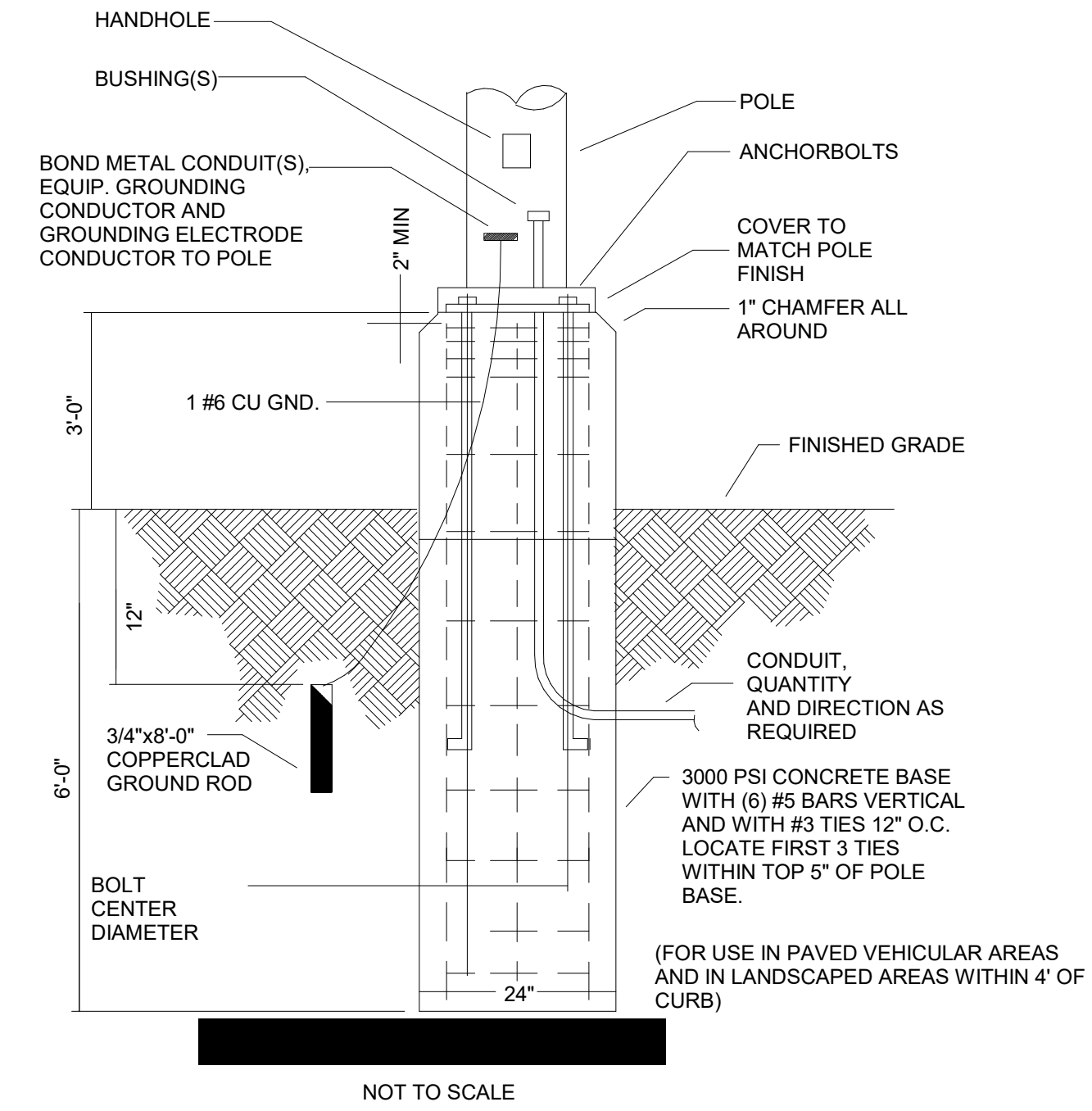
Stantec
 Stanton Architecture and Engineering LLC
 680 Southfield Street, Suite 2500
 Detroit, MI 48222
 Tel: (412) 384-1700 • www.stantec.com

Consultant
 Permit/Seal
 STATE OF MICHIGAN
 JASON DECHICK
 ENGINEER
 No. 6201068420
 07/27/2020
 Key Plan:
 N

Client/Project
 Hillwood Development
 Company, Inc.
 PROJECT PANDA -
 FULFILLMENT CENTER
 Project No.: 218011567
 Scale: As indicated
 DATE: 06/28/20
 Title
 ELECTRICAL SITE PLAN -
 LIGHTING EAST
 Revision:
 Drawing No.
E101B

1 ELECTRICAL SITE PLAN - LIGHTING EAST
 NOT TO SCALE

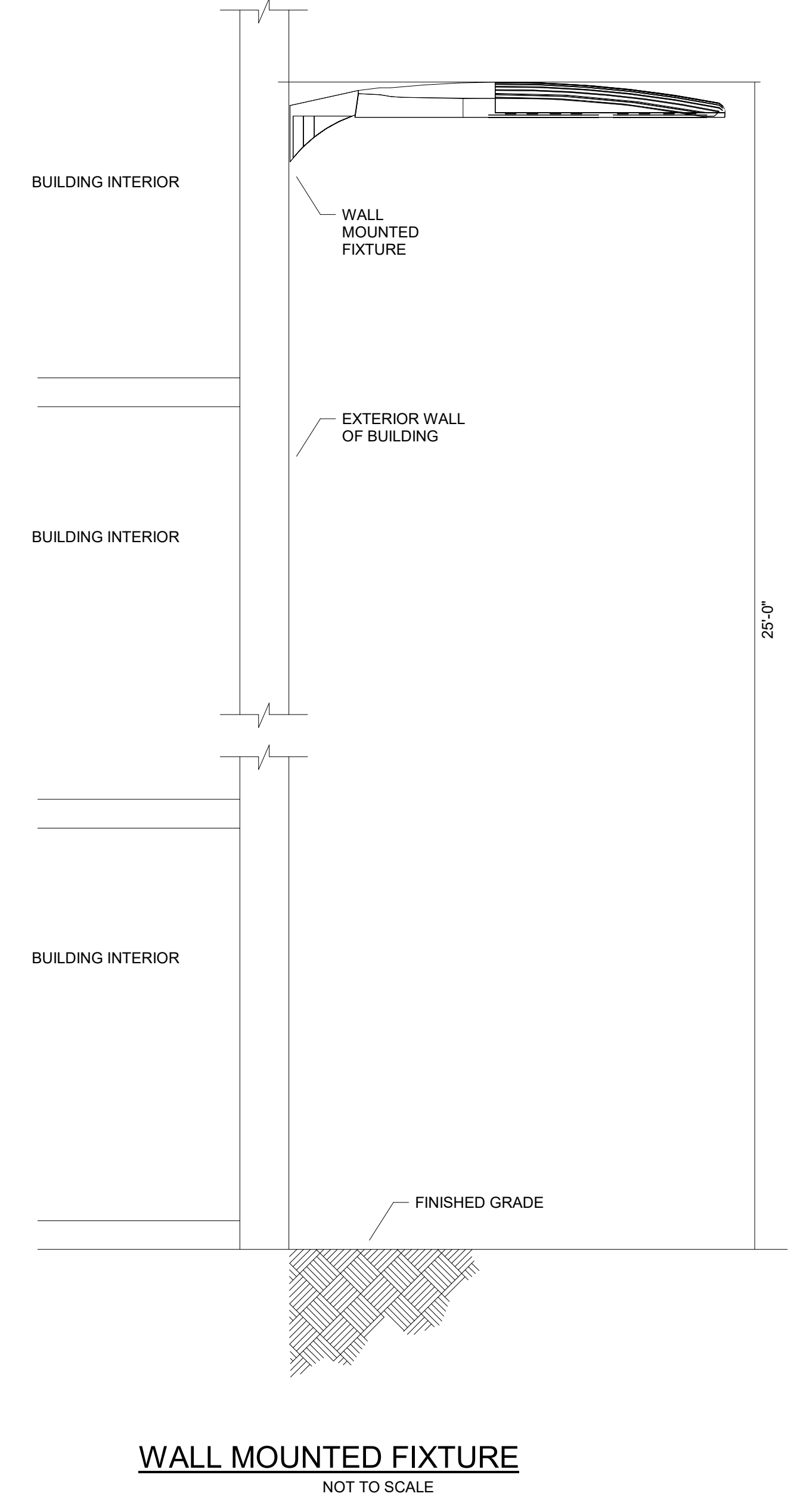
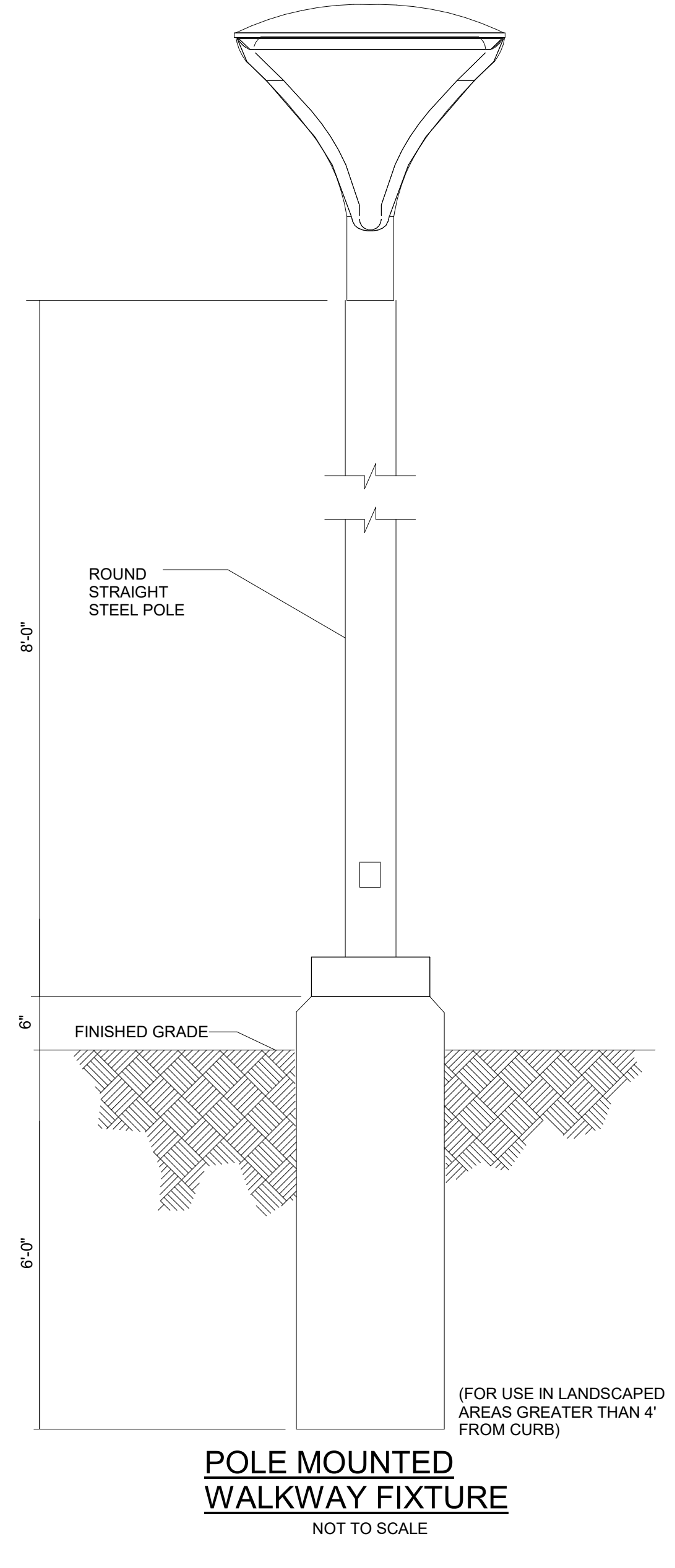
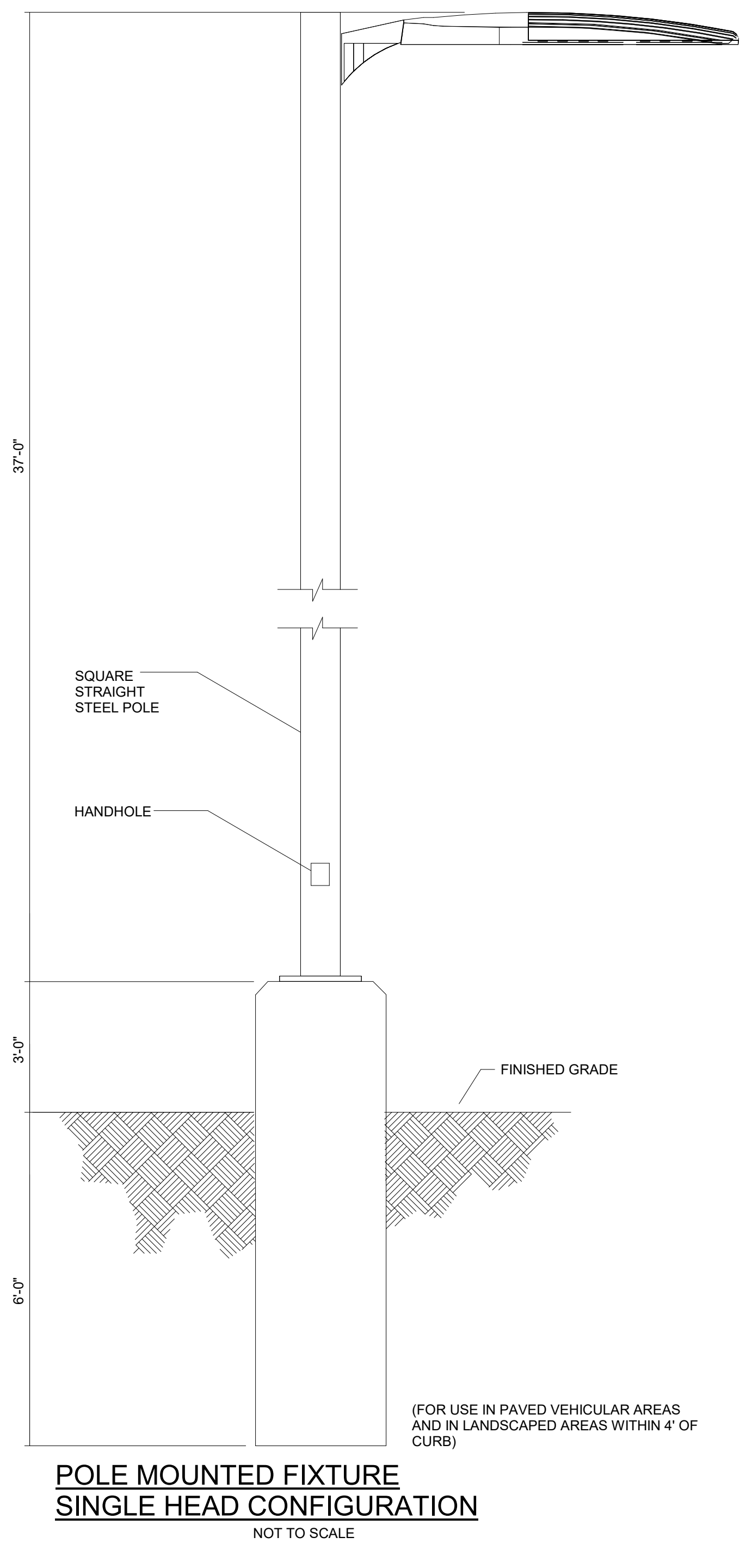
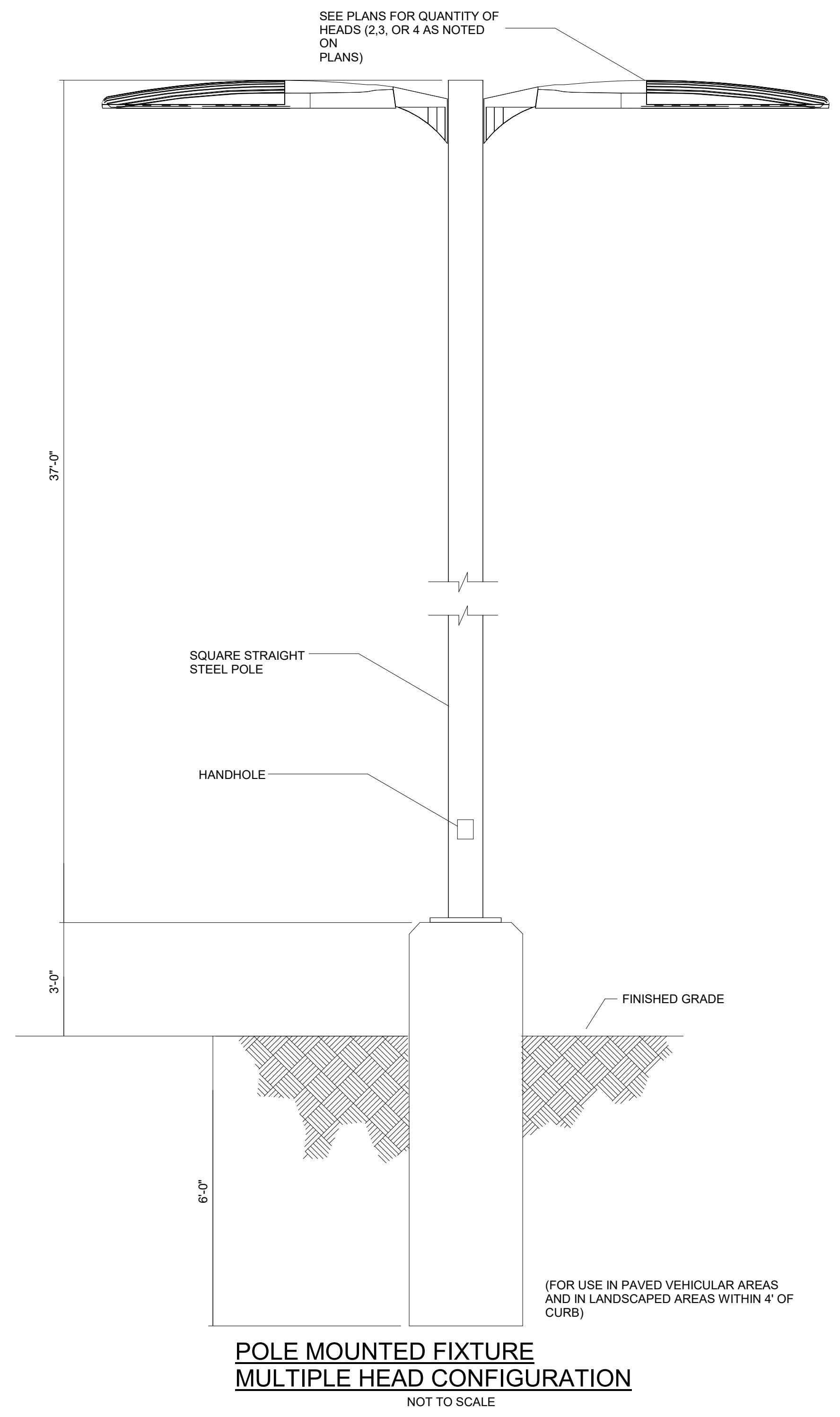
07/27/2020 3:46:33 PM
 ORIGINAL SHEET - ARCH ET



1 SITE LIGHTING POLE DETAILS
NOT TO SCALE

2 SITE LIGHTING CONDUIT DETAIL
NOT TO SCALE

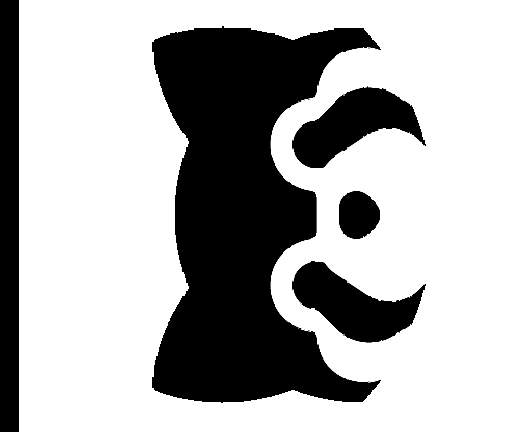
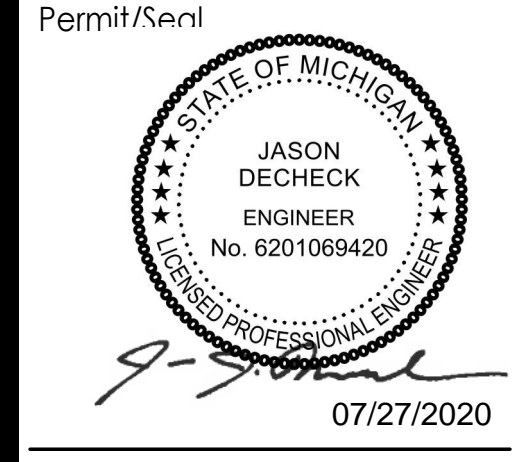
3 SITE LIGHTING WIRING DIAGRAM
NOT TO SCALE



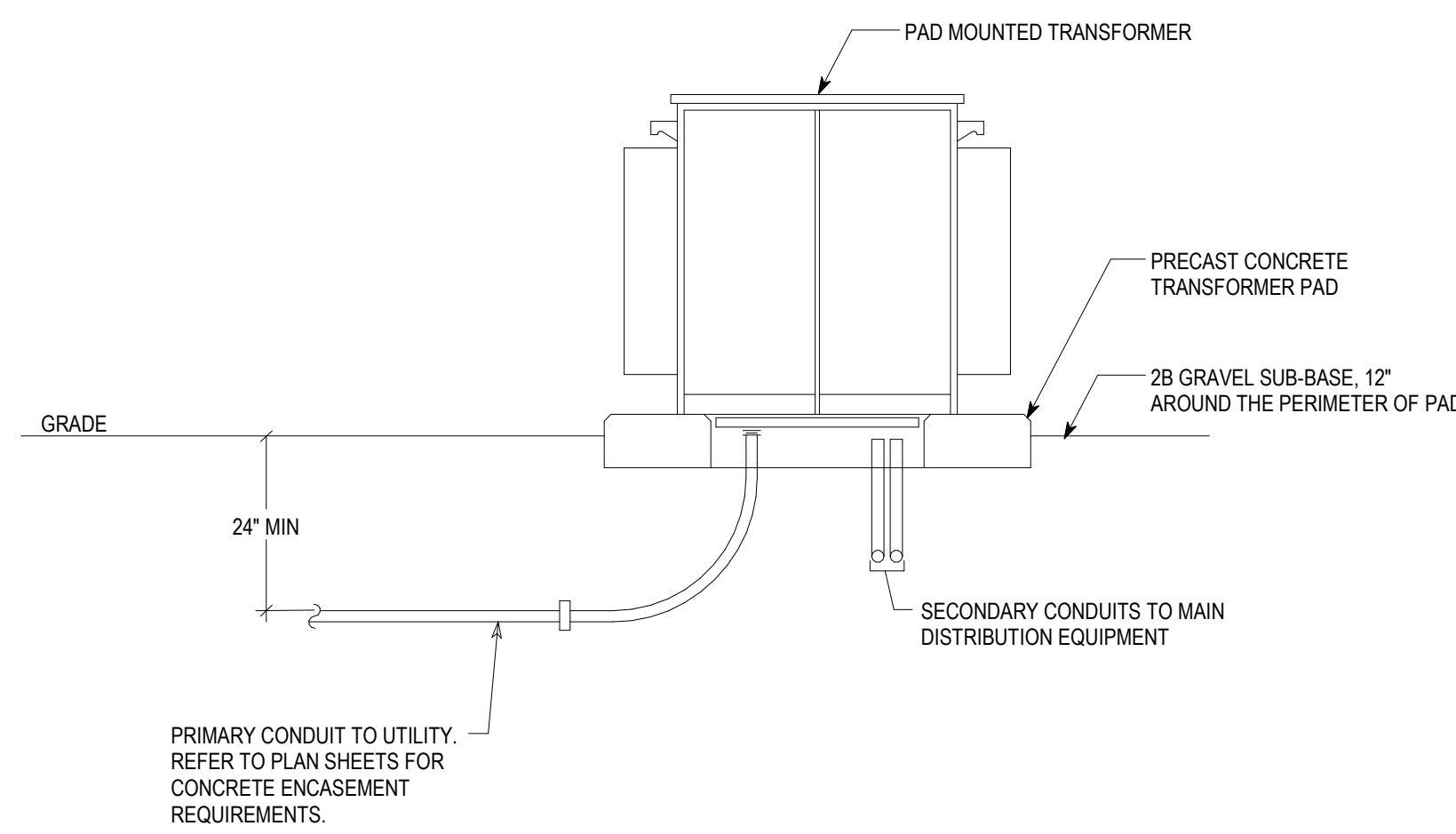
4 SITE LIGHTING FIXTURE DETAILS
NOT TO SCALE

Consultant

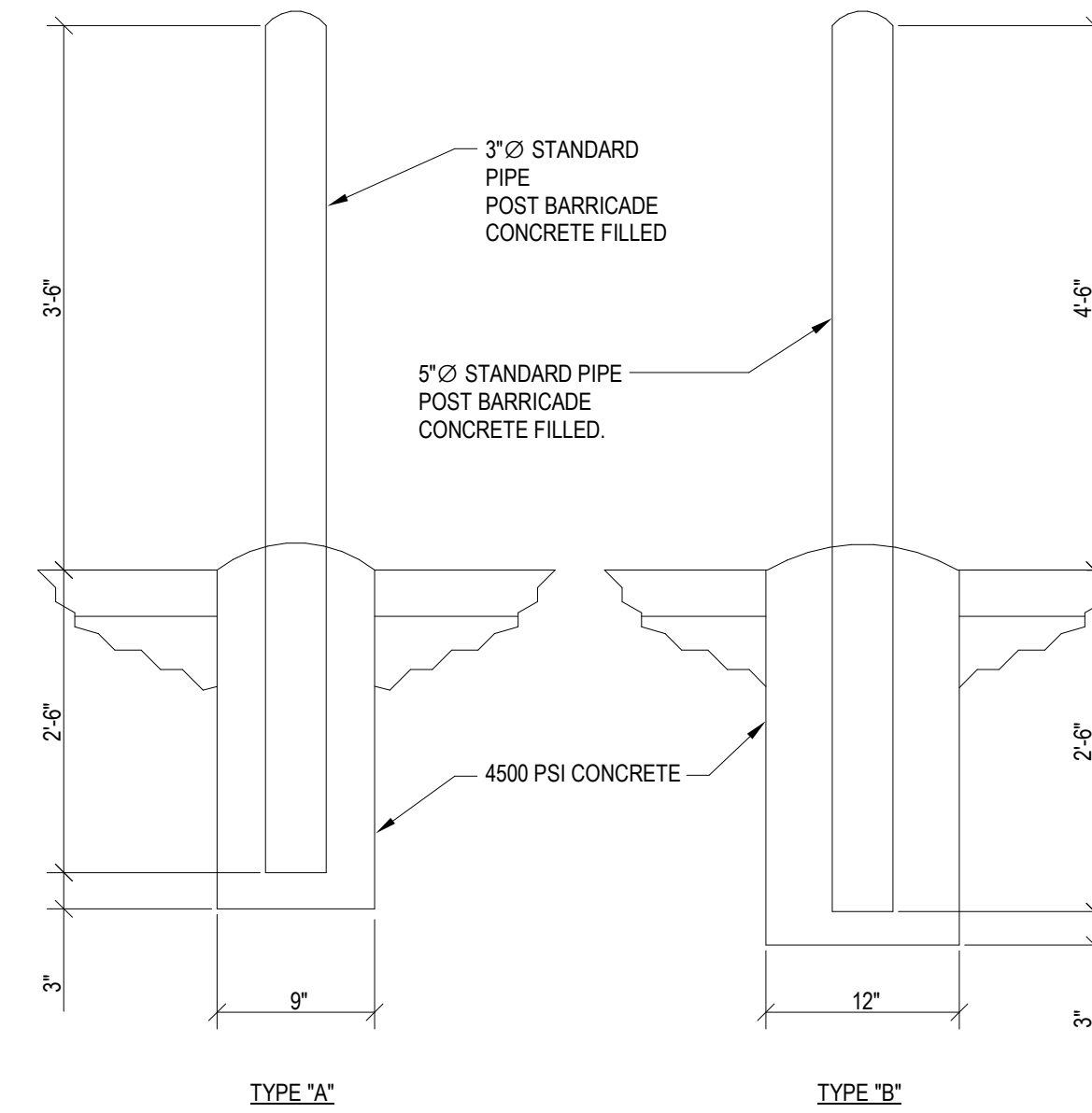
PROJECT NO.	2101011567
ISSUED FOR PERMIT	2020.07.27
PROJECT SUBMISSION	2020.08.03
ISSUED/REVISION	17/07/2020



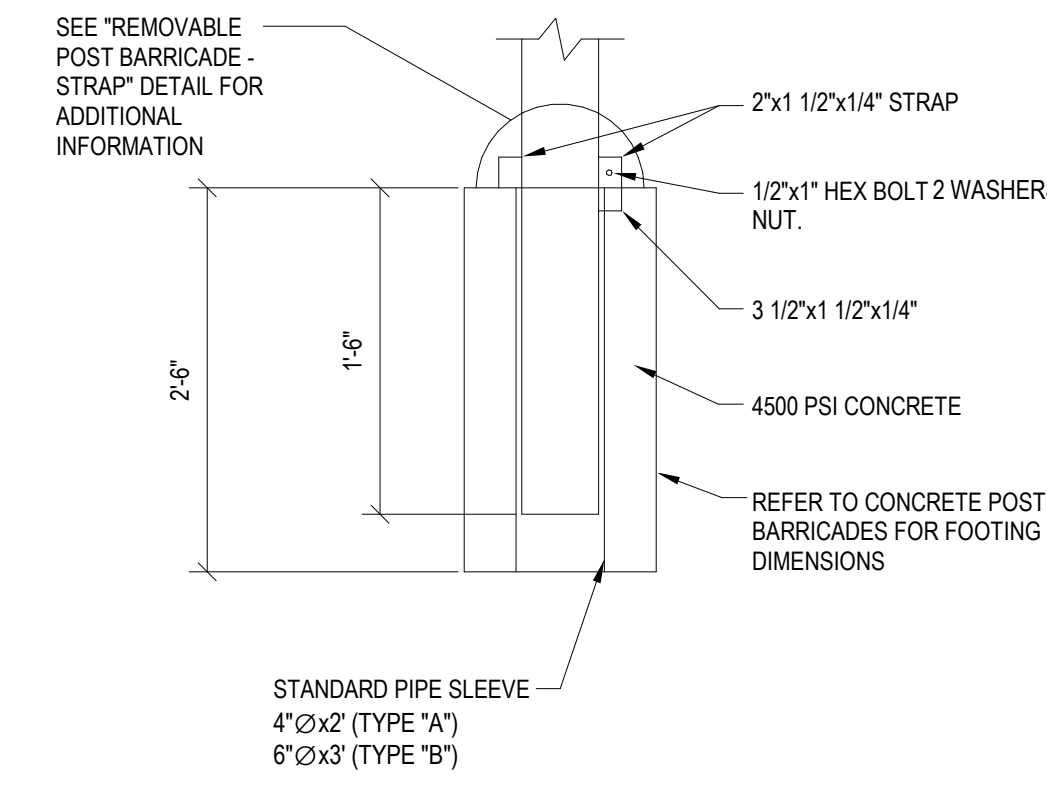
Client/Project
Hillwood Development
Company, Inc.
PROJECT PANDA -
FULFILLMENT CENTER
Project No.: 2101011567
Scale: 12" = 1'-0"
DATE: 04.26.2020
Title
ELECTRICAL SITE DETAILS



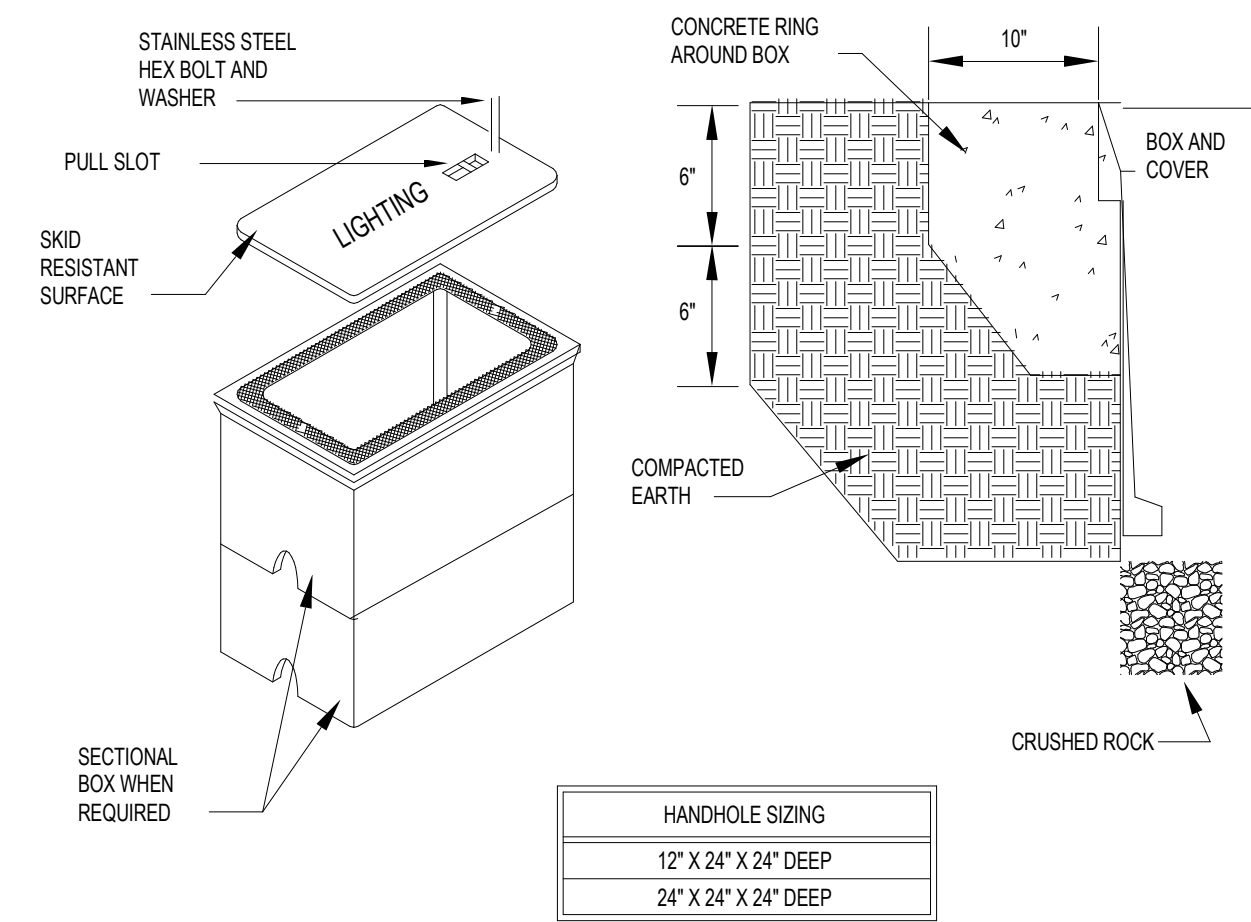
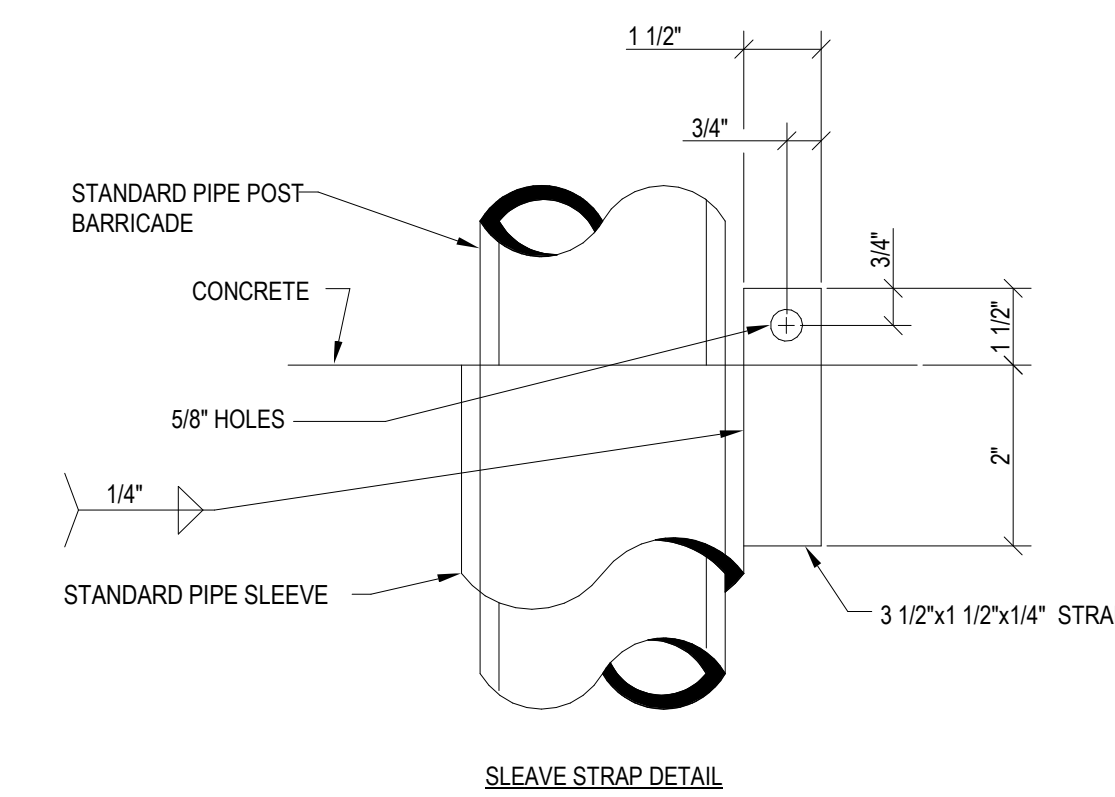
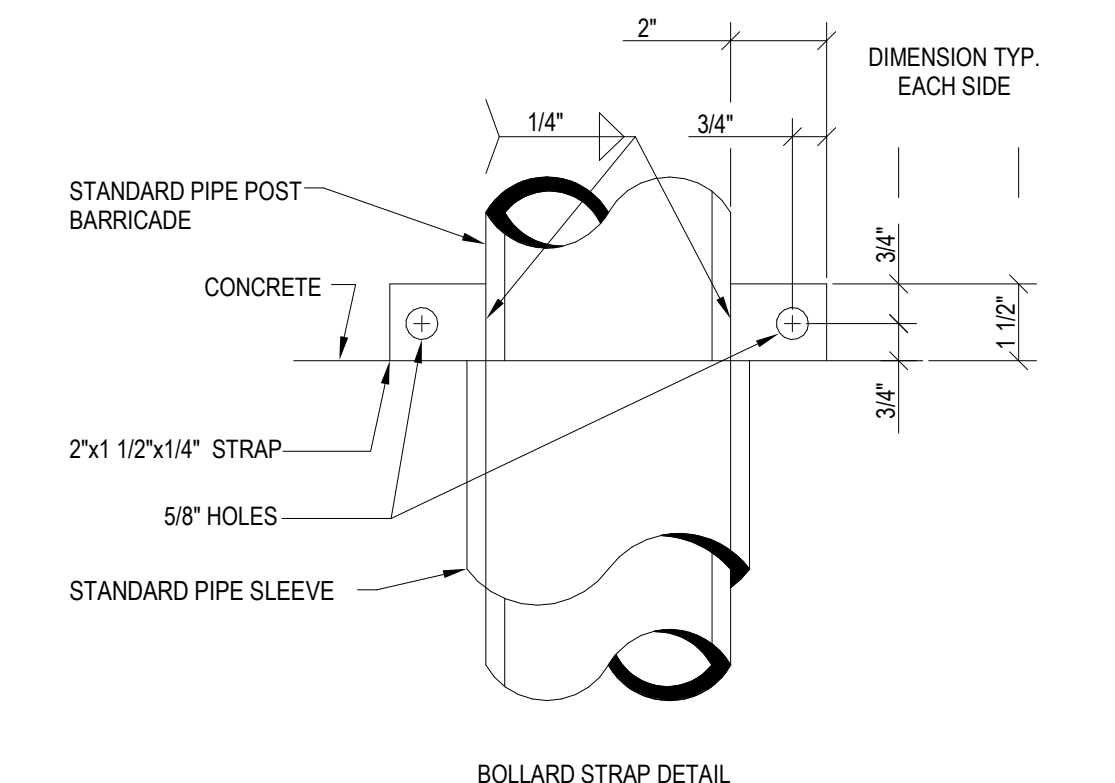
1
E104 **PAD MOUNTED TRANSFORMER DETAIL FROM UNDERGROUND SERVICE**
NOT TO SCALE



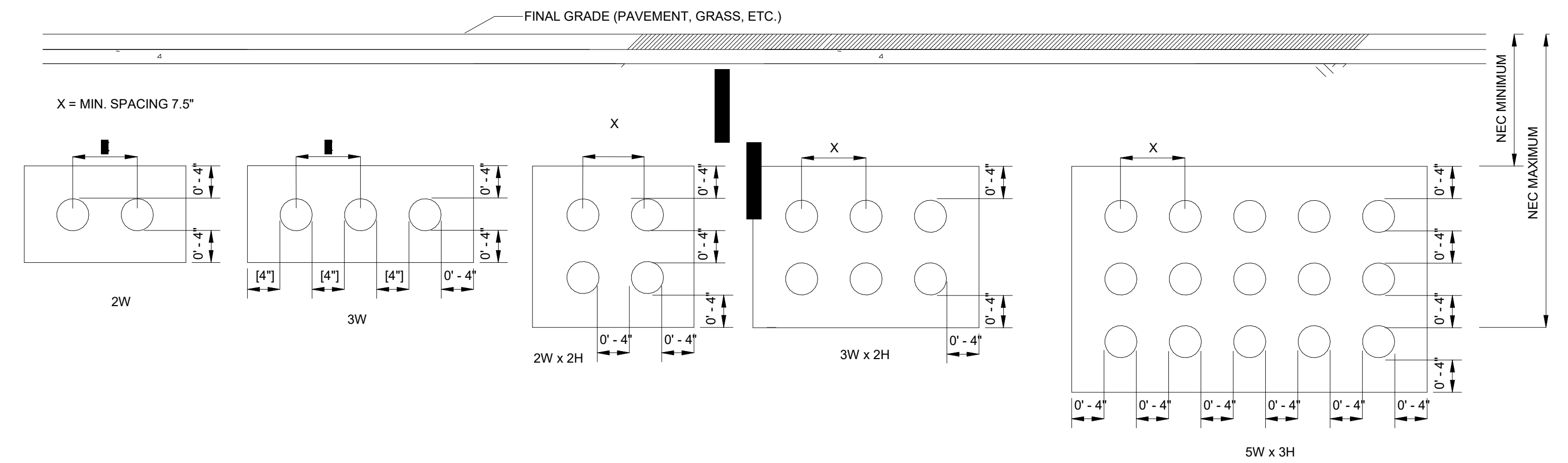
2
E104 **BOLLARD DETAIL**
NOT TO SCALE



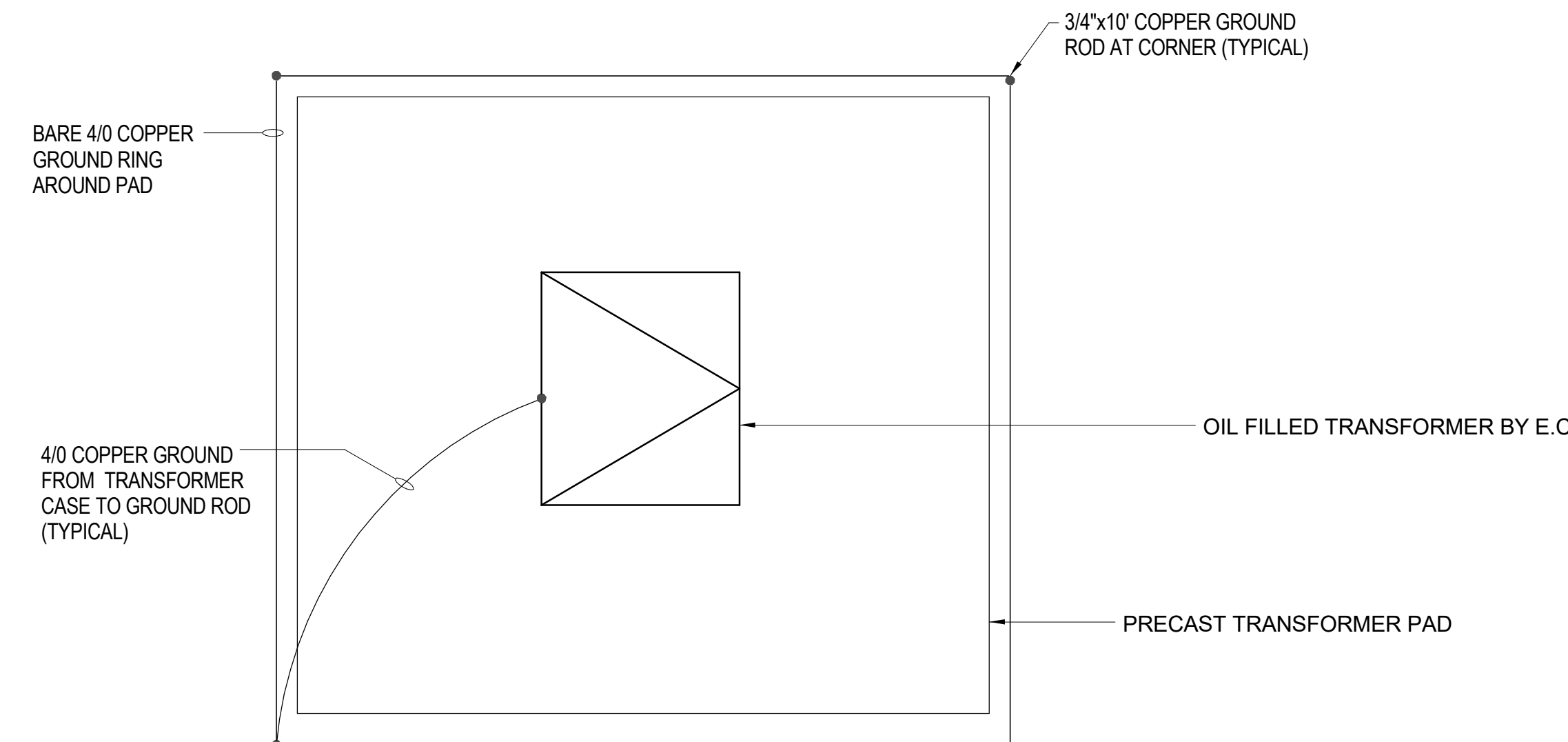
3
E104 **BOLLARD DETAIL - REMOVABLE BOLLARD MODIFICATIONS**
NOT TO SCALE



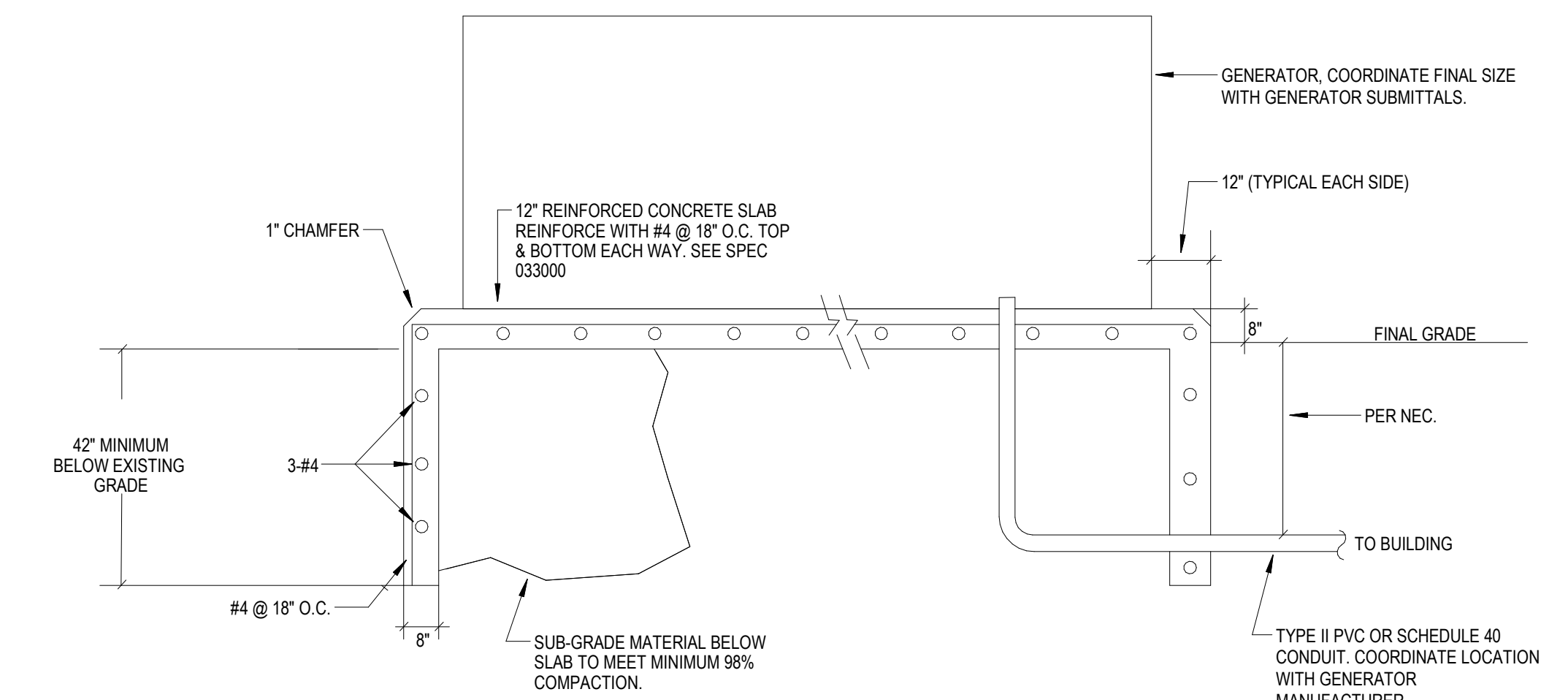
4
E104 **STANDARD ELECTRICAL HANDHOLE (NON-TRAFFIC)**
NOT TO SCALE



5
E104 **DUCTBANK DETAILS**
NOT TO SCALE



7
E104 **TRANSFORMER PAD GROUNDING DETAIL**
NOT TO SCALE



6
E104 **EMERGENCY GENERATOR PAD DETAIL**
NOT TO SCALE

ISSUED FOR PERMIT	2020.07.27
ISSUED FOR REVISION	2020.08.06
ISSUED FOR REVISION	2020.08.06

