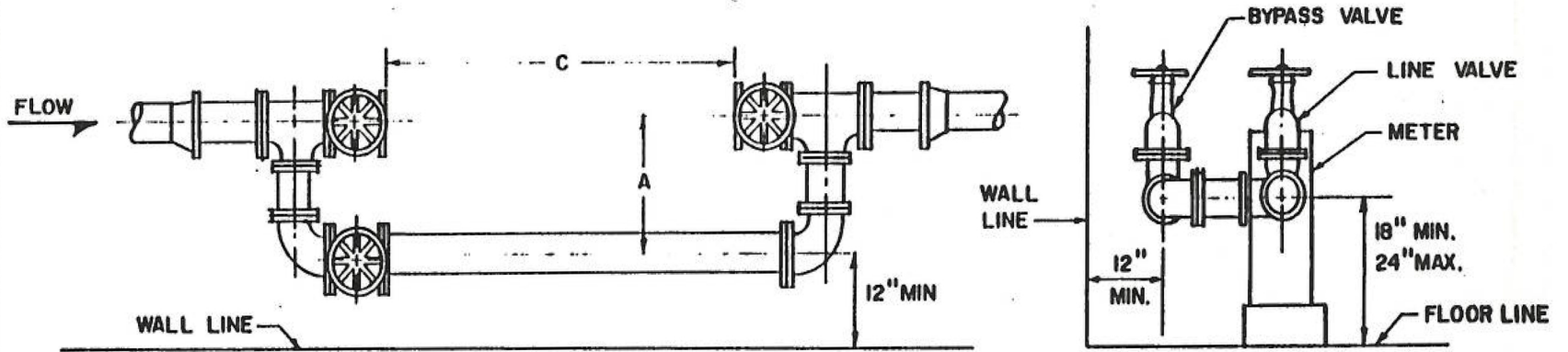


CS-1129

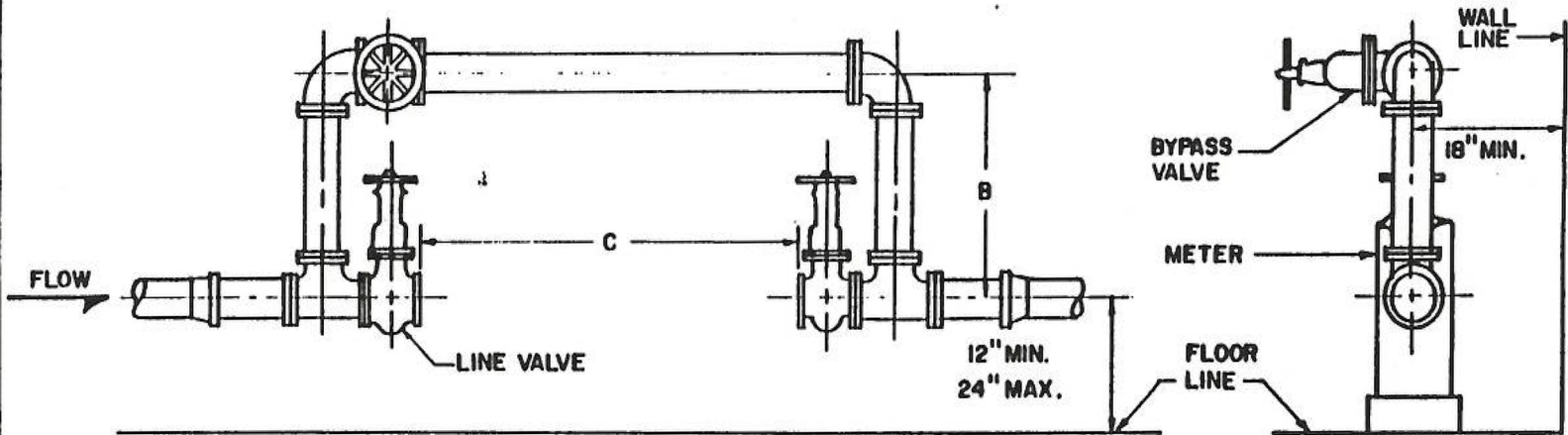
SEMP No. 8066

FIGURE No. 1

METER (3" TO 12")



HORIZONTAL BYPASS (PIT INSTALLATION)



VERTICAL BYPASS (COMMERCIAL METER)

ALL DIMENSIONS ARE IN INCHES

METER SIZE	A	B	C
3	29	28	54
4	29	32	64.5
6	31	33	78.5
8	31	44	90.25
10	37	52	134
12	37	60	134

DATE: JUN. 92

SHEET 4 OF 4