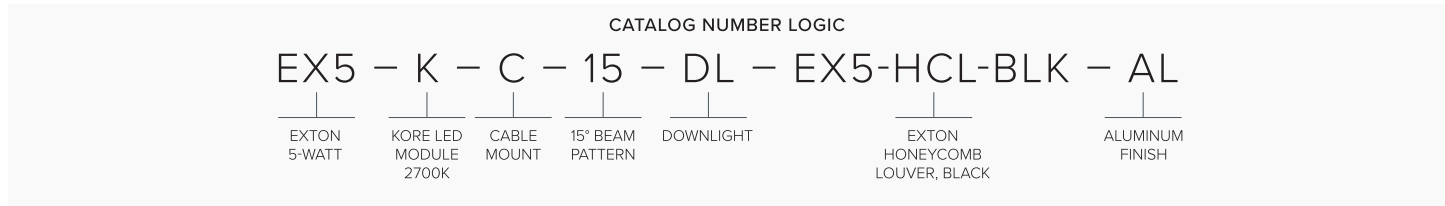
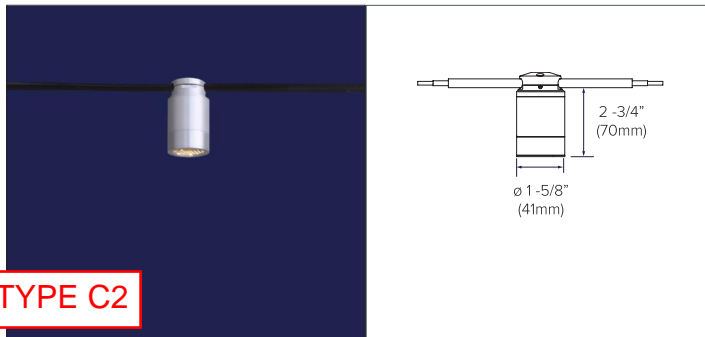


**DOWNLIGHT, ADJUSTABLE DOWNLIGHT MODULES**  
 Kore EX5 IP65, Direct Cable Mount  
 Tensioned/Draped Systems  
 24VDC Remote Power, 0-10V Dimming

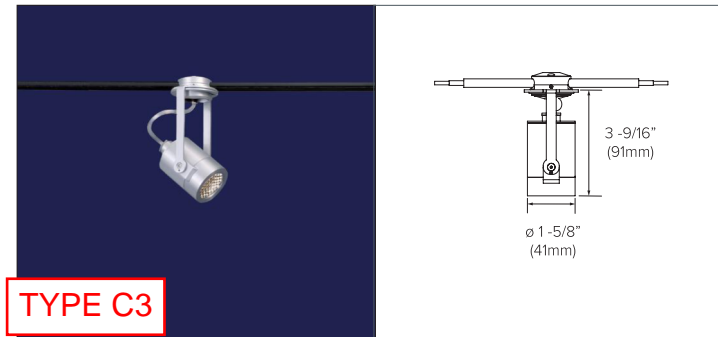
**EXTON POWERSPAN CABLE SYSTEM**



**EXTON – KORE-EX5 LED DOWNLIGHT & ADJUSTABLE DOWNLIGHT ENVELOPE DIRECT CABLE MOUNT MODULES**



**TYPE C2**

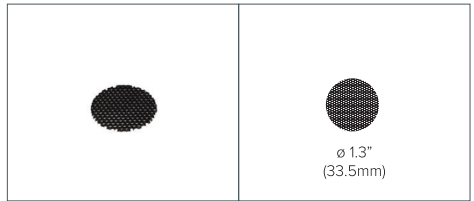


**TYPE C3**

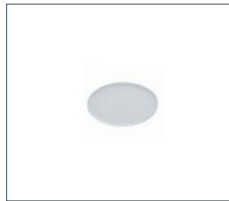
**Kore-EX5 LED Downlight Module, Direct Cable Mount, Aluminum or Black Finish (EX5-K-C-15/25/35-DL-AL/BLK)**  
 Kore-EX5 LED Downlight Module with Available with 15°, 25° or 35° beam pattern. Flush, integral two (2) Media Holder. Order Media separately. Features a 27K, 5W LED source with an integral current controller for 24V DC operation. Anodized Aluminum (AL) or Black (BLK) finish. System and Remote Power Supply ordered separately to create a complete System. Image shown with optional Black Hexel Louver Accessory.

**Kore-EX5 LED Adjustable Downlight Module, Direct Cable Mount, Aluminum or Black Finish (EX5-K-C-15/25/35-ADJDL-AL/BLK)**  
 Kore-EX5 LED Adjustable Downlight Module with Available with 15°, 25° or 35° beam pattern. Flush, integral two (2) Media Holder. Order Media separately. Features a 27K, 5W LED source with an integral current controller for 24V DC operation. Anodized Aluminum (AL) or Black (BLK) finish. Features a 360° horizontal and 120° vertical lockable design with set screw (tool provided). System and Remote Power Supply ordered separately to create a complete System. Image shown with optional Black Hexel Louver Accessory.

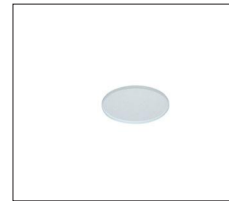
**MEDIA ACCESSORIES**



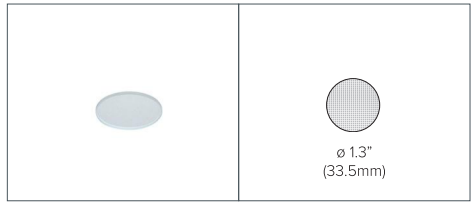
**Exton Honeycomb Louver, Black (EX5-HCL-BLK)**  
 1/8" Hexcell black metal. Controls spill illumination and glare.



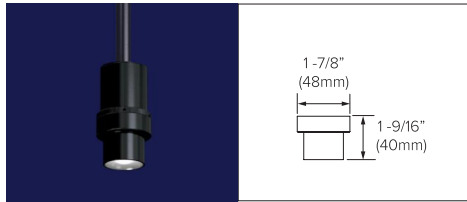
**Exton Sandblasted Lens (EX5-SBL)**  
 Creates a uniform beam pattern that is useful for wall washing. Tempered glass.



**Exton Solite Lens (EX5-SOL)**  
 Tempered glass with a stipple effect that provides obscurity while retaining high transmission values. This low-iron optically clear glass offers maximum transmission and minimal absorption.



**Exton Color Corrected Filter, 22K or 24K (EX5-CCT-22K/24K)**  
 22K or 24K Kelvin Temperature results when used with the standard 27K Cree LED.



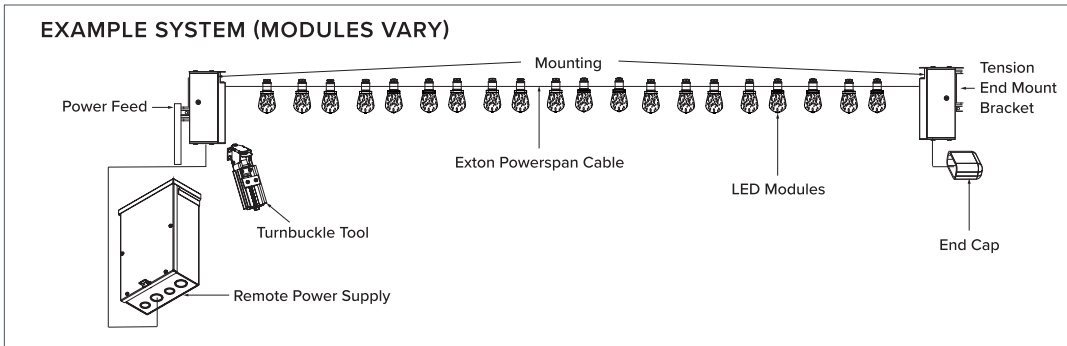
**Exton Snoot (EX5-SN-BLK)**  
 Exton Snoot accessory for additional glare control. Black Finish. Installed with the standard Media Holder that accommodates two Media.

**NOTES**

1. Order System and Remote Power Supplies separately to create a complete System. Refer to Exton Remote Power Supply IP20, IP24, IP66 or IP68 and System spec sheets for options.
2. 24VDC operation. 0-10V Dimming. Refer to Remote Power Supply Spec Sheets for details.
3. Any field modification will void the warranty and listing.

TYPE C2 AND C3

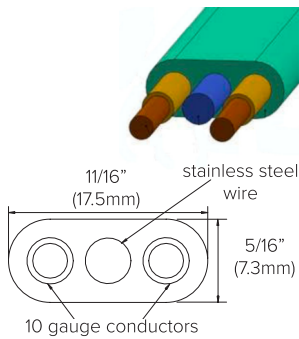
# EXTON POWERSPAN CABLE SYSTEM



## COMPATIBLE POWERSPAN CABLE, MOUNTING, POWER SUPPLIES & POLES TO CREATE A COMPLETE SYSTEM

(Ordered separately, examples shown here)

[System, Power Supplies and Poles](#) Click this link to access the details below.



POWERSPAN CABLE



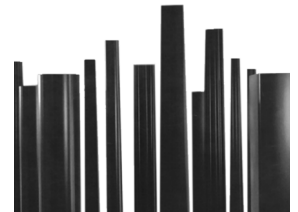
MOUNTING



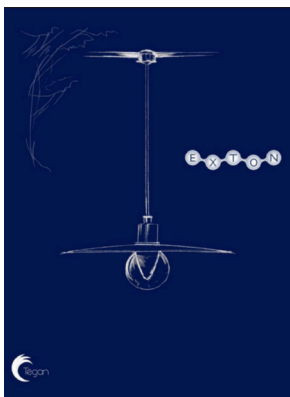
POWER FEEDS



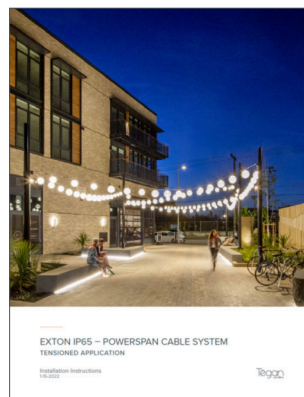
REMOTE POWER SUPPLIES



POLES



Click here to visit:  
[Exton IP65 Application Guide - Direct Mount - In "Tech" Menu](#)



Click on the linked image below to visit the [Exton Installation Guide](#).

**EXTON POWERSPAN CABLE SYSTEM**



<b>Category</b>	Exton Direct Cable Mount Downlight and Adjustable Downlight Modules are designed for use with Tegan’s exclusive Powerspan System. System and Remote Power Supply(s) ordered separately to create a complete System. 24VDC, 0-10V Dimming.
<b>Material/Finish</b>	Kore-EX5 LED Module: UV stable exterior anodized aluminum, O-rings. Kore-EX5 LED Module: Exterior rated, brushed, two-step electrolytic color anodizing. Anodized Black (BLK) or Anodized Aluminum (AL) finish.  Note: Anodizing is an electrochemical process that results in superior corrosion resistance. This process can result in a variance of finish from batch-to-batch.
<b>Powerspan Cable &amp; Mounting</b>	System and Remote Power Supply(s) ordered separately to create a complete System.
<b>Remote Power Supply</b>	Specified separately. The Exton System is designed for use with a Remote Power Supply Enclosure and Driver. Refer to Exton Power Supply IP20, IP24, IP66 or IP68 Spec Sheets for details. <b><u>Use of Tegan Lighting Power Enclosures and Drivers only. If supplied “by others” the warranty and listing are void.</u></b>
<b>Accessories</b>	Exton Honeycomb Louver 16 - Black finish (EX-HCLB-BLK), Exton Sandblasted Lens (EX5-SBL), Exton Solite Lens (EX5-SOL), EX5 Snoot (DL only) - Black finish (EX5-SN-BLK), Exton 22K Color Correction Filter Accessories: (EX5-CCT-22K), 24K Color Correction Filter (EX5-CCT-24K). Note: CCT22/24 = Kelvin Temperature results when used with the standard 27K Cree LED.
<b>LED</b>	High Wattage Array Cree LED, 2-Step Macadam. 5W @ 500 lumens with 2700K 82-85 CRI typical. All values are initial lumens. For exact lumen output and wattage consumption data, please consult LM79 reports. Online power consumption does not include driver losses. Contact factory for 3000K, 3500K, 4000K or 90 CRI.
<b>Optics</b>	15°, 25° or 35° for Kore-EX5 Downlight and Adjustable Downlight. Refer to photometric report for details.
<b>Electrical</b>	24VDC. Total input watts: 6.5W. 300W max. per circuit.
<b>Installation</b>	Exton Honeycomb Louver 16 - Black (EX-HCLB-BLK), Exton Sandblasted Lens (EX5-SBL), Exton Solite Lens (EX5-SOL), Exton is not approved or listed for indoor pool/sauna installations. Refer to Installation Instructions for details.
<b>Labels</b>	ETL Listed; Tested to UL 2108 Low Voltage Lighting Systems. In a continuing effort to offer the best product possible we reserve the right to change, without notice, specifications or materials. Technical specification sheets that appear on <a href="http://teganlighting.com">teganlighting.com</a> are the most recent version and supersede all other versions that exist in any other printed or electronic form. Kore-EX5 Module and Cable: 3-year warranty. Envelopes and Architectural Shades: <u>limited three-year warranty</u> . Refer to Exton Application Guide for details. Consult with an Arborist for proper tree installation per the type of tree(s). Tegan Lighting is not liable for any damage/injury as a result of tree installation. Refer to Installation Instructions #23 for more details.