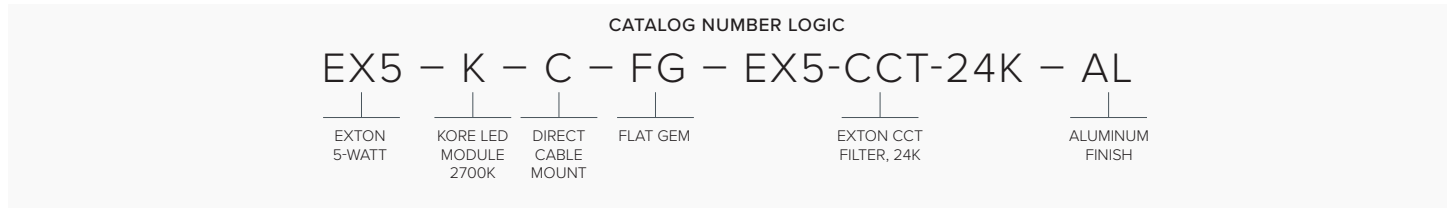


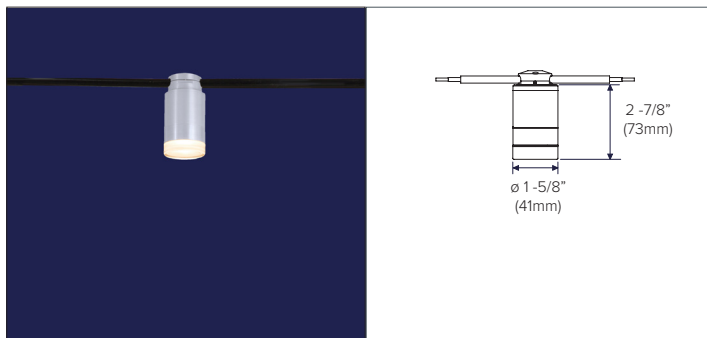
GEM MODULES

Kore EX5 IP65, Direct Mount Modules
Tensioned/Draped Systems
24VDC Remote Power, 0-10V Dimming

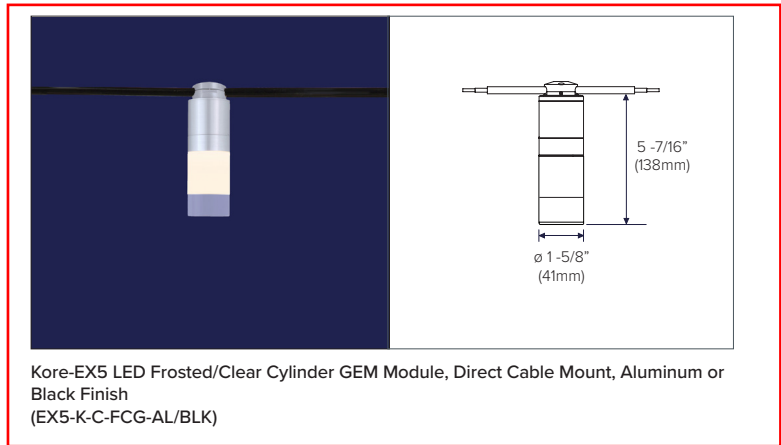
EXTON POWERSPAN CABLE SYSTEM



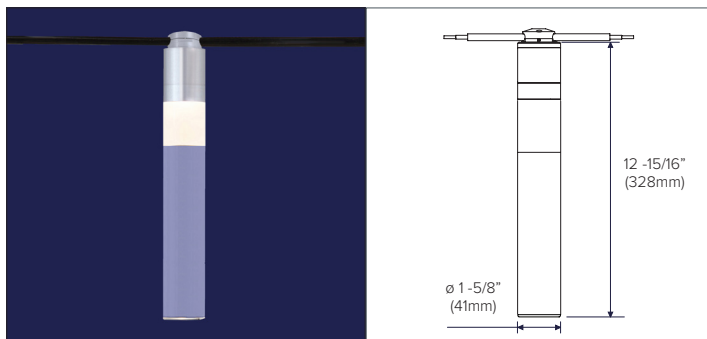
EXTON - KORE-EX5 LED GEM DIRECT CABLE MOUNT MODULES



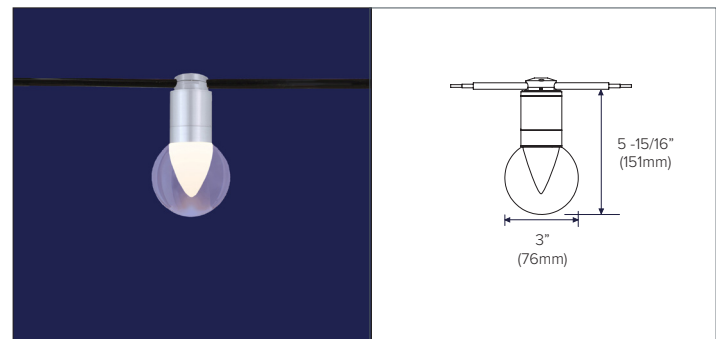
Kore-EX5 LED Flat GEM Module, Direct Cable Mount, Aluminum or Black Finish (EX5-K-C-FG-AL/BLK)



Kore-EX5 LED Frosted/Clear Cylinder GEM Module, Direct Cable Mount, Aluminum or Black Finish (EX5-K-C-FCG-AL/BLK)



Kore-EX5 LED 9" Frosted/Clear Cylinder GEM Module, Direct Cable Mount, Aluminum or Black Finish (EX5-K-C-FCG-9-AL/BLK)

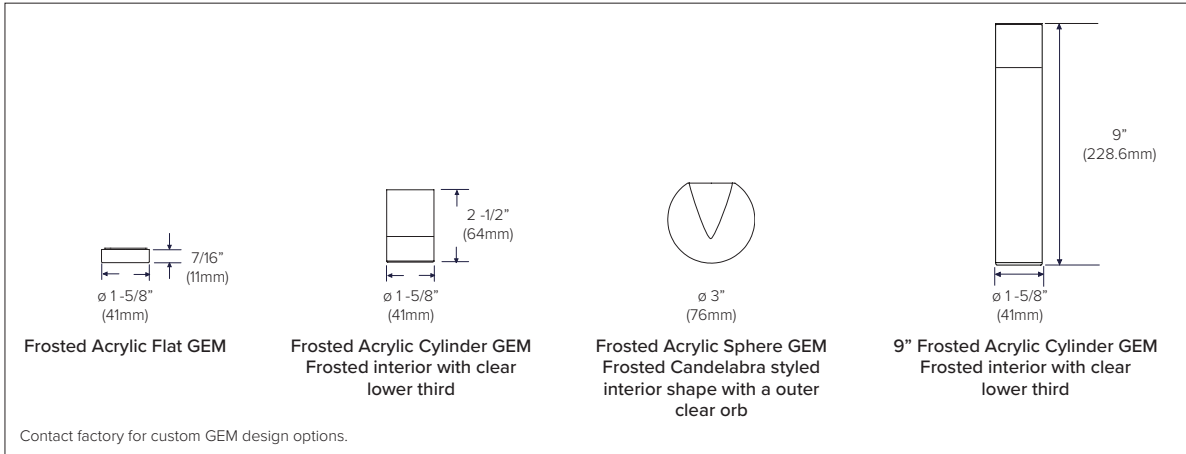


Kore-EX5 LED Frosted Sphere GEM Module, Direct Cable Mount, Aluminum or Black Finish (EX5-K-C-FSG-AL/BLK)

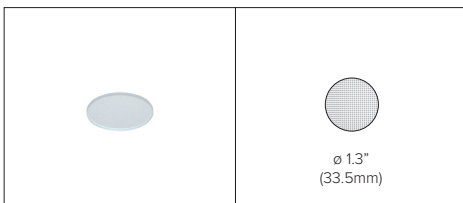
Kore-EX5 LED Flat, Sphere and Cylinder Modules feature a 27K, 5W LED source with an integral current controller for 24V DC operation. Anodized Aluminum (AL) or Black (BLK) finish. System and Remote Power Supply ordered separately to create a complete System.

EXTON POWERSPAN CABLE SYSTEM

EXTON - KORE-EX5 "GEM" TYPES



ACCESSORIES



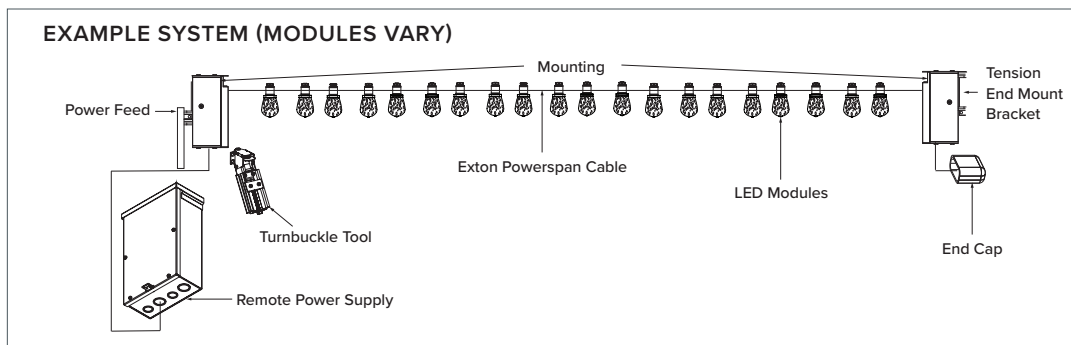
Exton Color Corrected Filter, 22K or 24K (EX5-CCT-22K/24K)

22K or 24K Kelvin Temperature results when used with the standard 27K Cree LED

NOTES

1. Order System and Remote Power Supplies separately to create a complete System. Refer to Exton Remote Power Supply IP20, IP24, IP66 or IP68 and System spec sheets for options.
2. 24VDC operation. 0-10V Dimming. Refer to Remote Power Supply Spec Sheets for details.
3. Any field modification will void the warranty and listing.

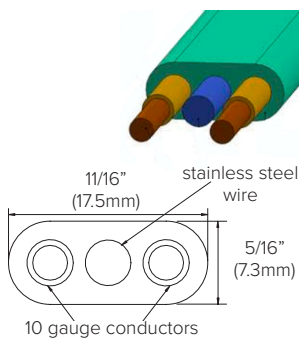
EXTON POWERSPAN CABLE SYSTEM



COMPATIBLE POWERSPAN CABLE, MOUNTING, POWER SUPPLIES & POLES TO CREATE A COMPLETE SYSTEM

(Ordered separately, examples shown here)

[System, Power Supplies and Poles](#) Click this link to access the details below.



POWERSPAN CABLE



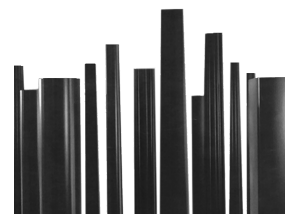
MOUNTING



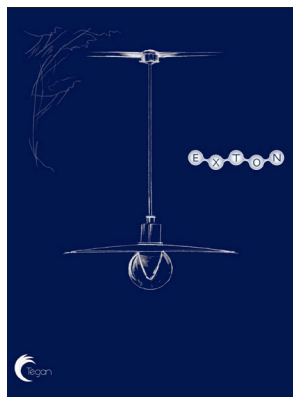
POWER FEEDS



REMOTE POWER SUPPLIES



POLES



Click here to visit:
[Exton IP65 Application Guide - Direct Mount - In "Tech" Menu](#)



Click on the linked image below to visit the [Exton Installation Guide](#).

EXTON POWERSPAN CABLE SYSTEM



Category	Exton Cable Mount GEM Direct Mount Modules are designed for use with Tegan's exclusive Tension Mount Powerspan System with Remote Power Supply(s), ordered separately. 24VDC, 0-10V Dimming.
Material/Finish	Kore-EX5 LED Module: UV stable exterior anodized aluminum, O-rings. Exterior rated, brushed, two-step electrolytic color anodizing. Anodized Black (BLK) or Anodized Aluminum (AL) finish. Note: Anodizing is an electrochemical process that results in superior corrosion resistance. This process can result in a variance of finish from batch-to-batch. GEM: 100% machined, clear/frosted acrylic.
Powerspan Cable & Mounting	Specified separately.
Remote Power Supply	Specified separately. The Exton System is designed for use with a Remote Power Supply Enclosure and Driver. Refer to Exton Power Supply IP20, IP24, IP66 or IP68 Spec Sheets for details. <u>Use of Tegan Lighting Power Enclosures and Drivers only. If supplied "by others" the warranty and listing are void.</u>
Accessories	Exton 22K Color Correction Filter Accessories: (EX5-CCT-22K), 24K Color Correction Filter (EX5-CCT-24K). Note: CCT22/24 = Kelvin Temperature results when used with the standard 27K Cree LED.
LED	High Wattage Array Cree LED, 2-Step Macadam. 5W @ 500 lumens with 2700K 82-85 CRI typical. All values are initial lumens. For exact lumen output and wattage consumption data, please consult LM79 reports. Online power consumption does not include driver losses. Contact factory for 3000K, 3500K, 4000K or 90 CRI.
Optics	A 15° reflector is supplied in all decorative options to maximize decorative element illumination. Refer to IES Photometric Report for details.
Electrical	24VDC. Total input watts: 6.5W. 300W max. per circuit.
Installation	Exton is not approved or listed for indoor pool/sauna installations. Refer to Installation Instructions for details.
Labels	ETL Listed; Tested to UL 2108 Low Voltage Lighting Systems. In a continuing effort to offer the best product possible we reserve the right to change, without notice, specifications or materials. Technical specification sheets that appear on teganlighting.com are the most recent version and supersede all other versions that exist in any other printed or electronic form. Kore-EX5 Module and System: 3-year warranty.